



US00D432241S

United States Patent [19] Slater

[11] **Patent Number: Des. 432,241**

[45] **Date of Patent: ** Oct. 17, 2000**

[54] **RIM PORTION OF A HOT TUB**

D. 405,181	2/1999	Larsen	D24/204
5,745,934	5/1998	Hansen et al.	4/541.3
5,799,345	9/1998	Hansen et al.	4/584

[75] Inventor: **Thomas A. Slater**, Bonita Springs, Fla.

[73] Assignee: **The Snorkel Stove Company**, Seattle, Wash.

Primary Examiner—Stella Reid
Attorney, Agent, or Firm—Seed and Berry LLP

[**] Term: **14 Years**

[57] **CLAIM**

[21] Appl. No.: **29/087,201**

The ornamental design for a rim portion of a hot tub, as shown and described.

[22] Filed: **Apr. 28, 1998**

DESCRIPTION

[51] **LOC (7) Cl.** **24-04**

FIG. 1 is a perspective view of a rim portion of a hot tub showing my new design.

[52] **U.S. Cl.** **D24/204**

FIG. 2 is an elevational view thereof, the elevational view being substantially identical from all sides.

[58] **Field of Search** D24/201, 204,
D24/205; 4/538, 541.1, 541.2, 541.3, 541.4,
541.5, 541.6

FIG. 3 is a top plan view thereof.

FIG. 4 is a bottom plan view thereof; and,

FIG. 5 is a sectional view thereof taken substantially along lines 6—6 of FIG. 2.

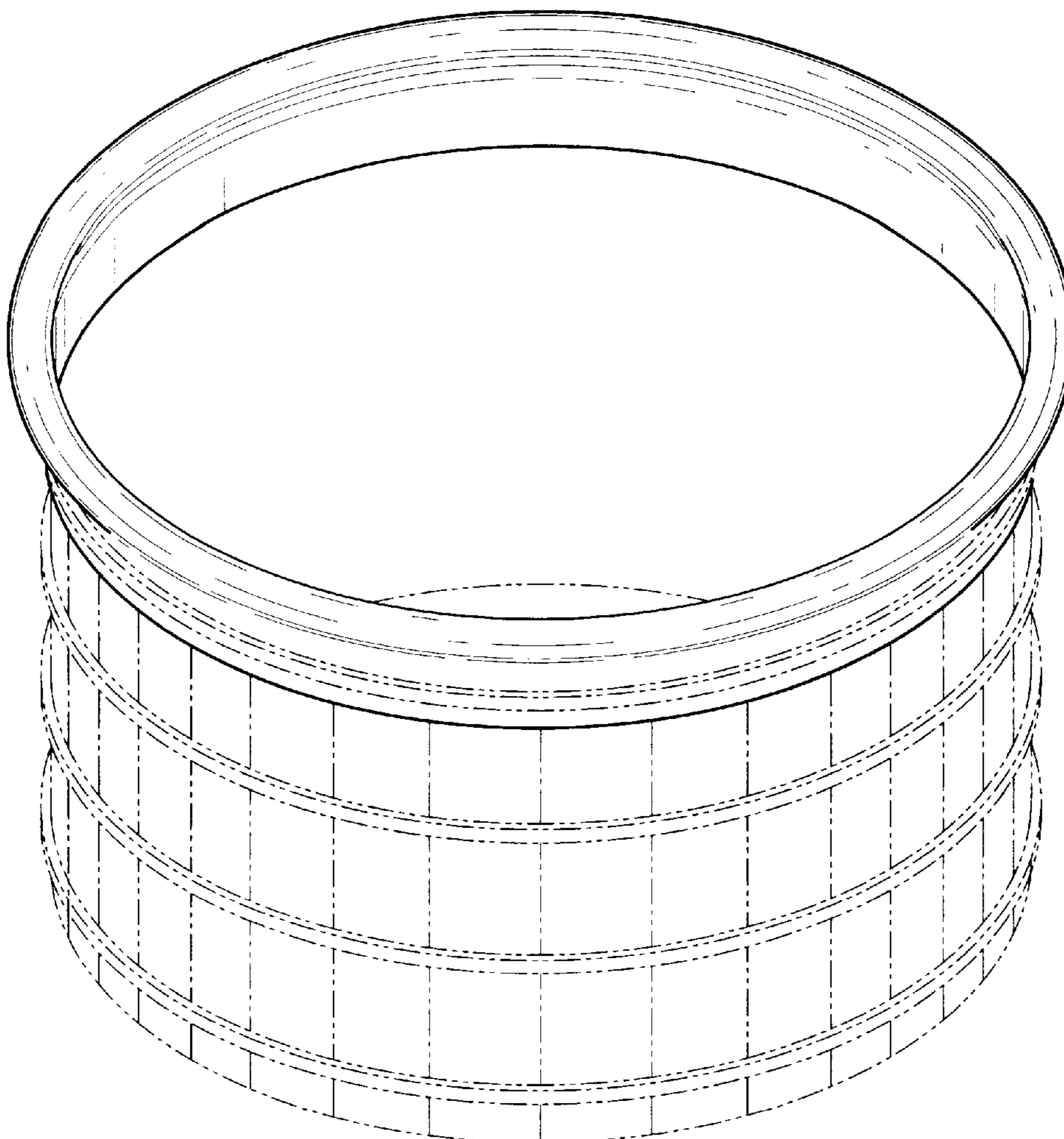
[56] **References Cited**

The broken lines are for illustrative purposes only and form no part of the claimed design.

U.S. PATENT DOCUMENTS

D. 32,858	6/1900	Wells	D24/204
D. 252,042	6/1979	Jacuzzi et al.	D24/204
D. 368,530	4/1996	Lawing et al.	D24/204

1 Claim, 3 Drawing Sheets



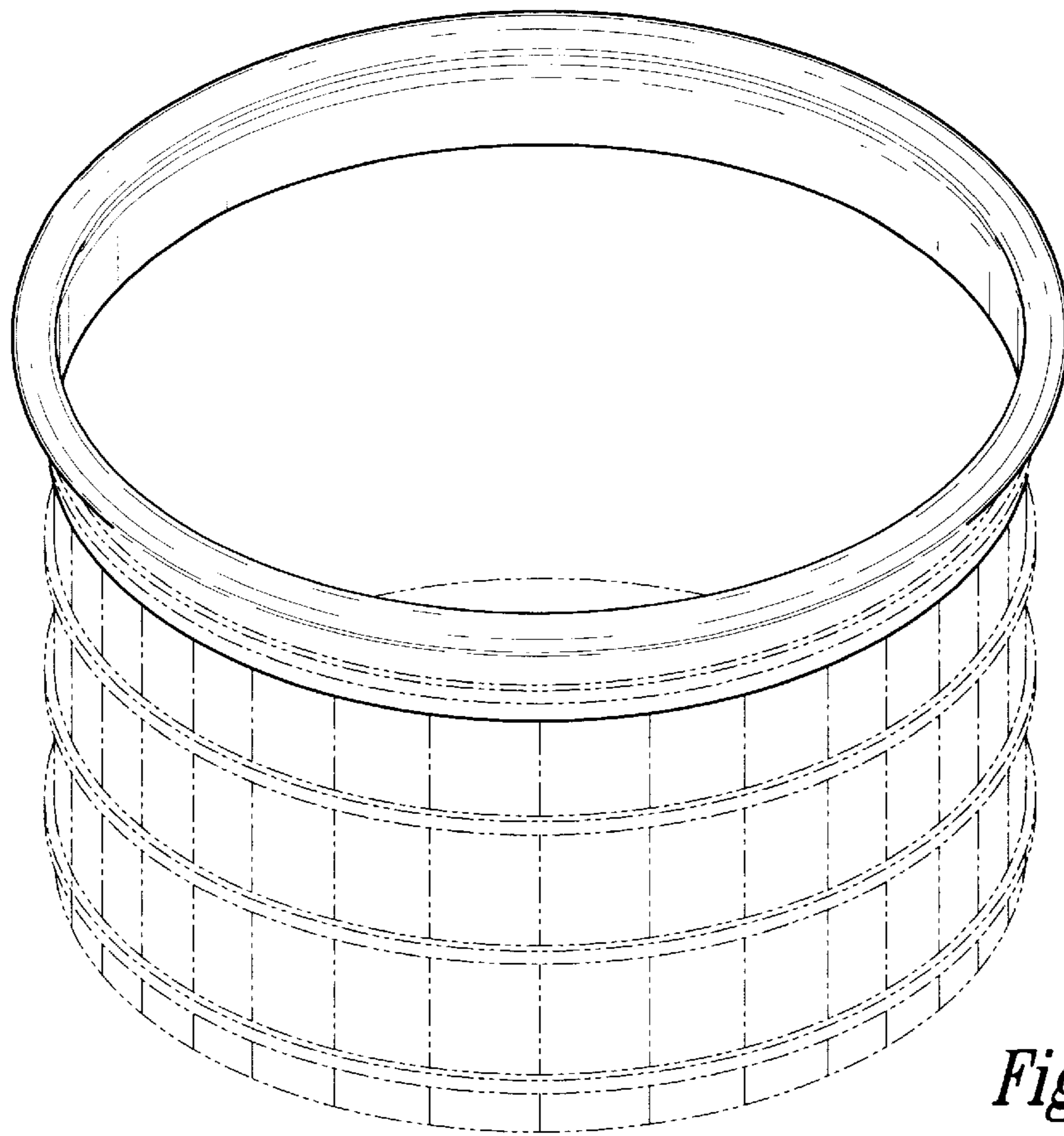


Fig. 1

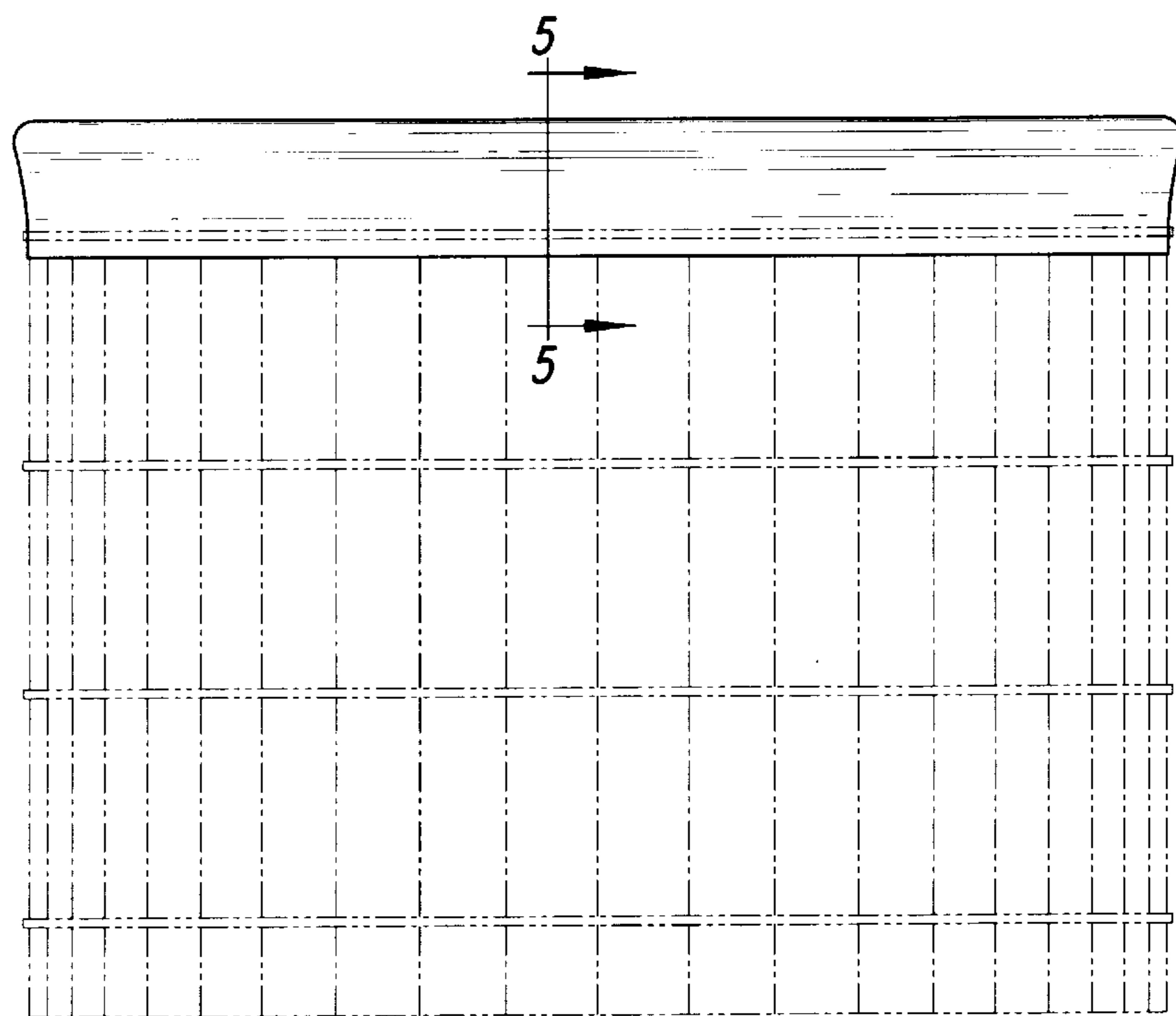


Fig. 2

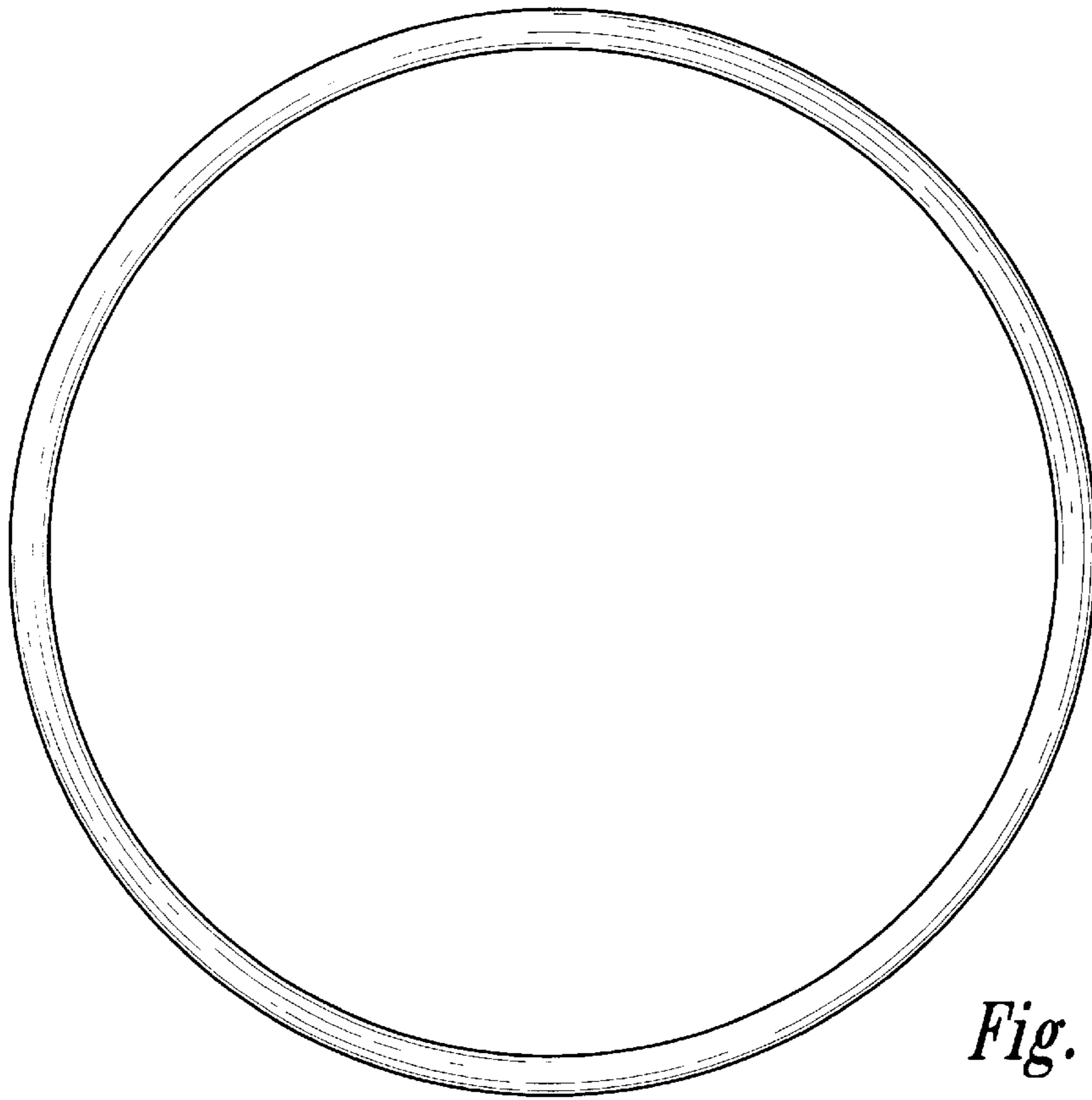


Fig. 3

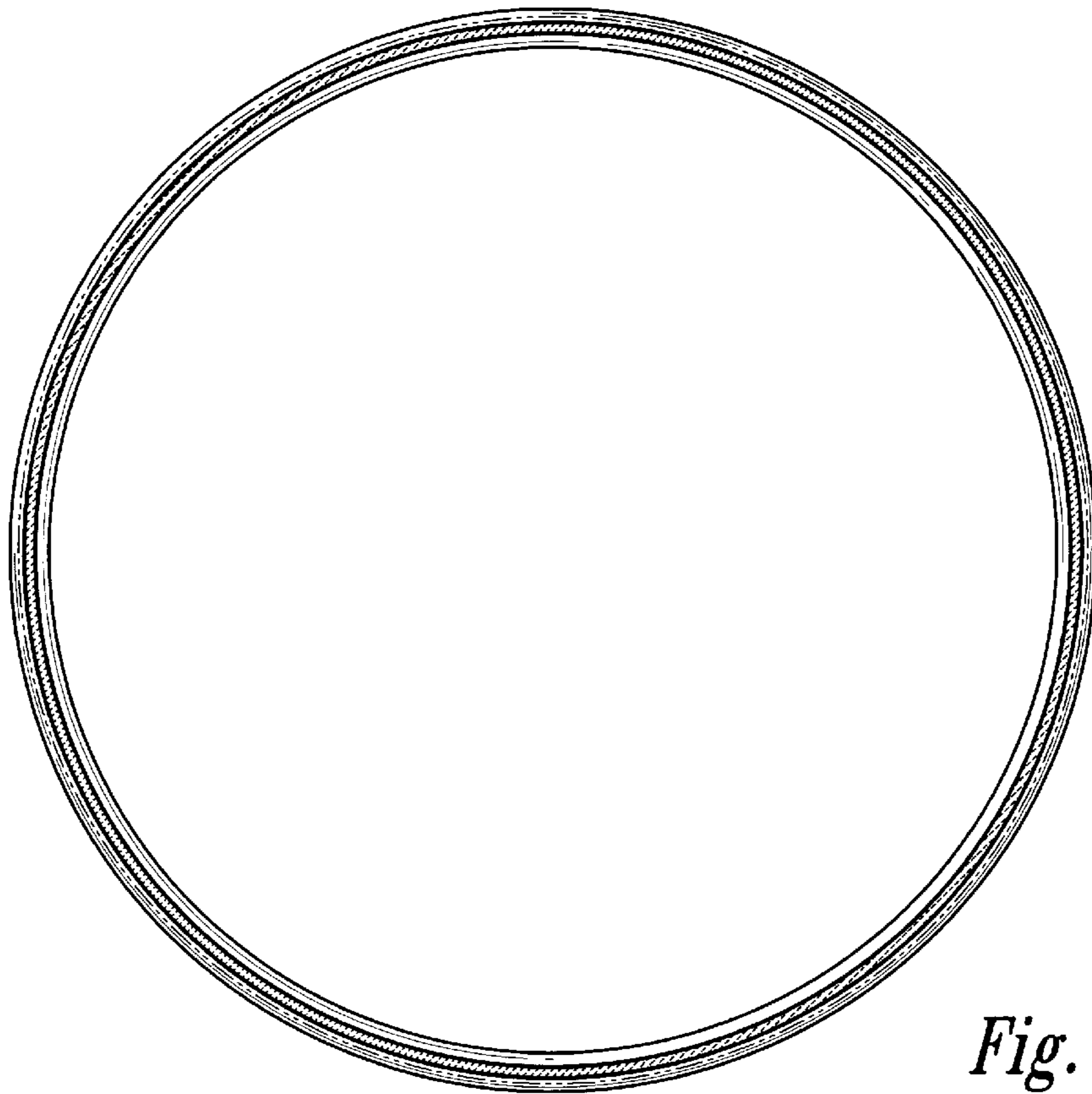


Fig. 4

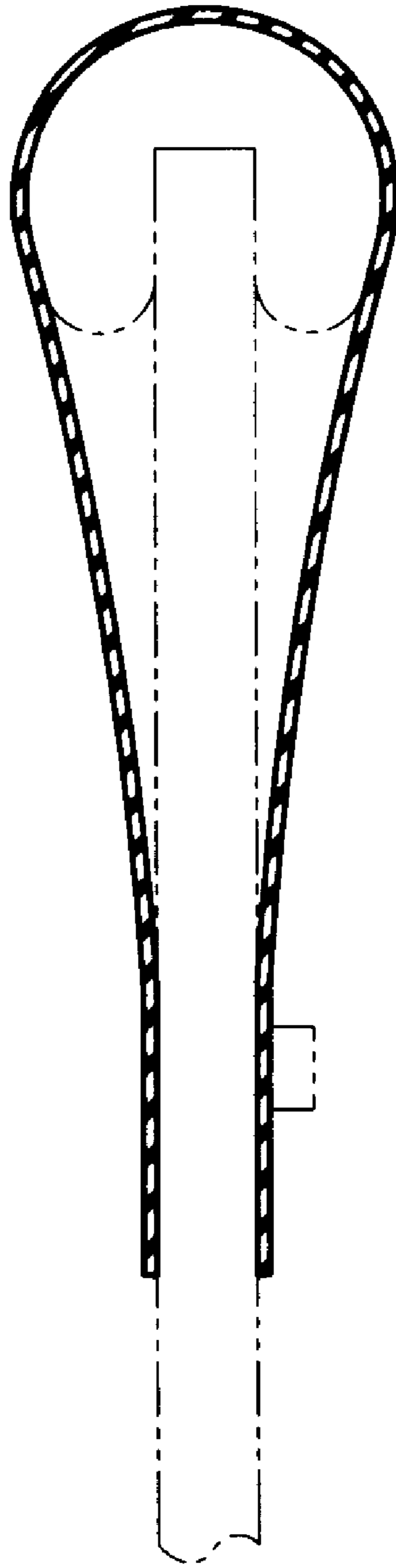


Fig. 5