

US00D432240S

United States Patent [19]

Katz et al.

[11] Patent Number: Des. 432,240

[45] Date of Patent: ** Oct. 17, 2000

[54] ELECTRONIC CUFF FOR STIMULATION

[76] Inventors: Amiram Katz; Orly Katz, both of 15 Beaver Brook Rd., Weston, Conn. 06883

[**] Term: 14 Years

[21] Appl. No.: 29/113,950

[22] Filed: Nov. 15, 1999

[51] LOC (7) Cl. 24-04

[52] U.S. Cl. D24/200; D24/165

[58] Field of Search D24/165, 200; 606/202, 203; 607/48, 49, 58

[56] References Cited

U.S. PATENT DOCUMENTS

D. 324,425	3/1992	Yoshikawa et al.	D24/165
D. 356,155	3/1995	Caven	D24/165
3,472,233	10/1969	Sarbacher .	
3,480,010	11/1969	Crossley	607/58 X
4,354,503	10/1982	Golden	600/499
5,330,516	7/1994	Nathan	607/48
5,342,410	8/1994	Braverman .	
5,487,759	1/1996	Bastyr et al. .	
5,540,735	7/1996	Wingrove	607/46

5,628,722	5/1997	Solomonow et al. .	
5,643,332	7/1997	Stein	607/49
5,674,262	10/1997	Tumey .	
6,002,965	12/1999	Katz et al.	607/48

Primary Examiner—Stella Reid
Attorney, Agent, or Firm—Fattibene & Fattibene; Paul A. Fattibene; Arthur T. Fattibene

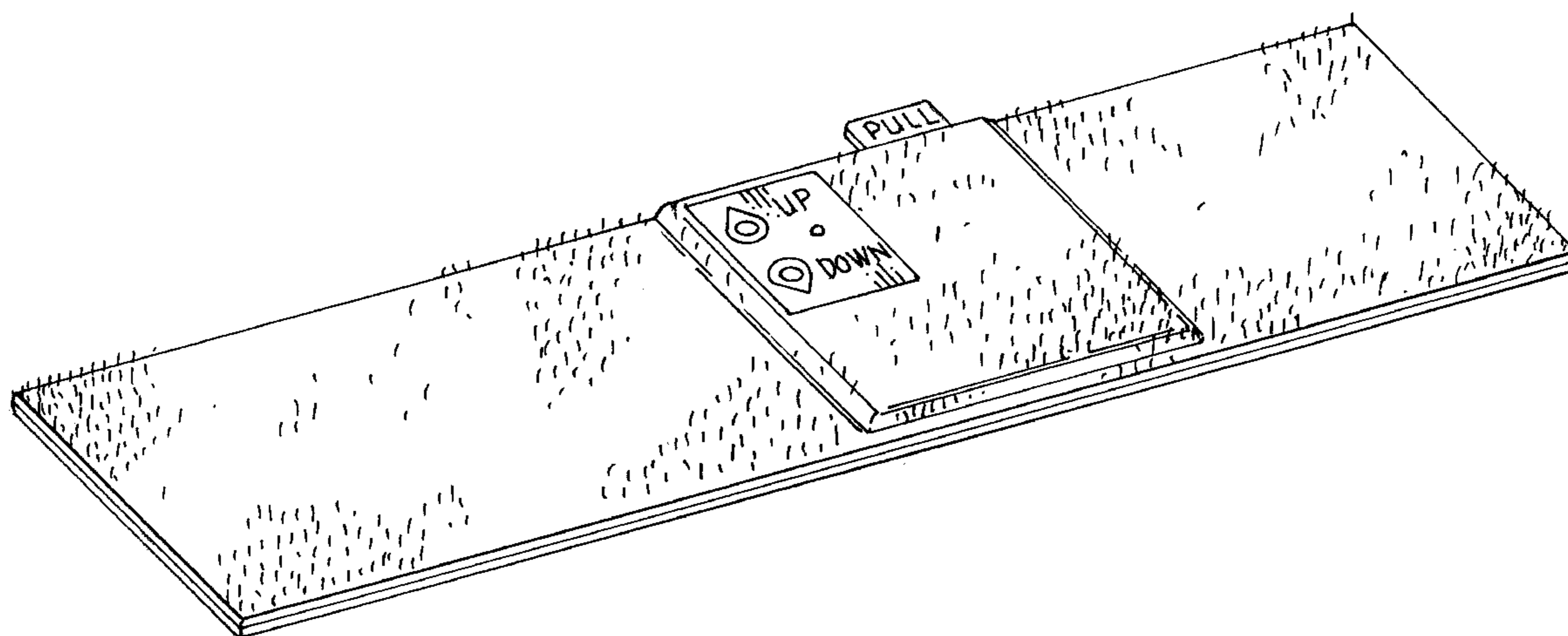
[57] CLAIM

The ornamental design for an electronic cuff for stimulation, as shown and described.

DESCRIPTION

FIG. 1 is a perspective view of an electronic cuff for stimulation, showing our new design, in open condition; FIG. 2 is a left elevational view thereof; FIG. 3 is a right elevational view thereof; FIG. 4 is a front elevational view thereof; FIG. 5 is a bottom plan view thereof; FIG. 6 is a back elevational view thereof; FIG. 7 is a top plan view thereof; and, FIG. 8 is a perspective view thereof in use condition, the broken line showing of the leg being for illustrative purposes only and forming no part of the claimed design.

1 Claim, 2 Drawing Sheets



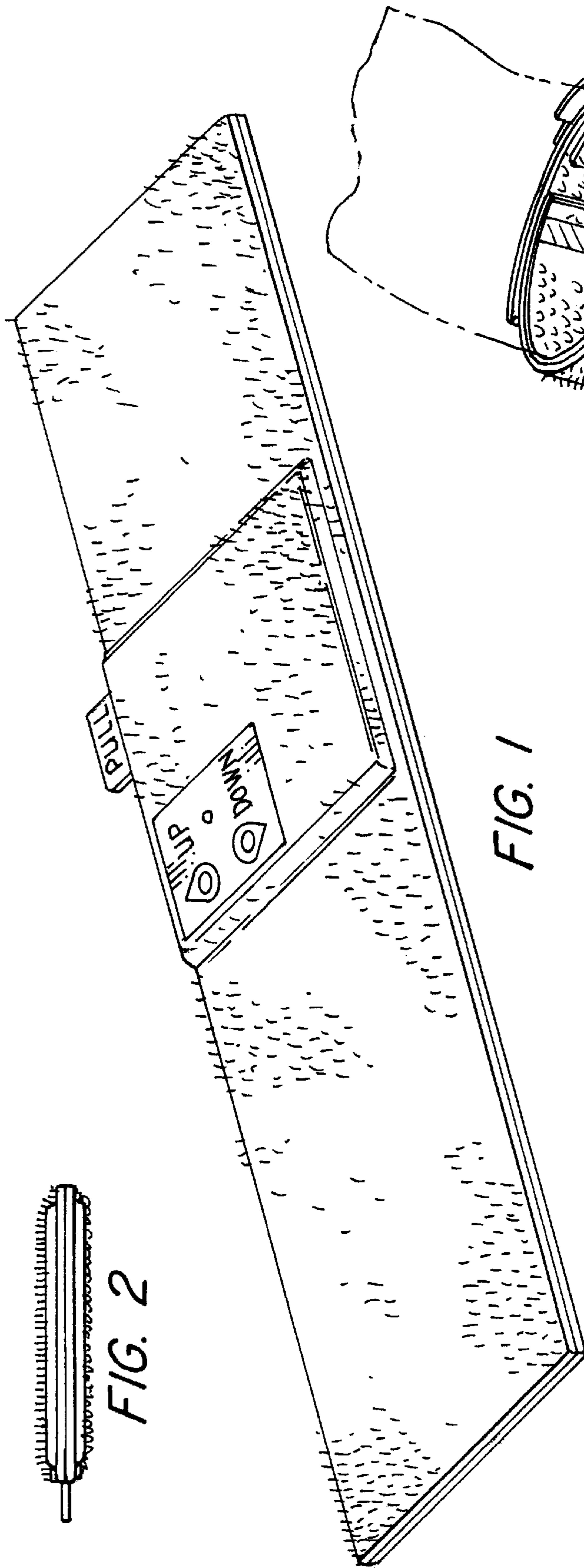


FIG. 1



FIG. 2



FIG. 3

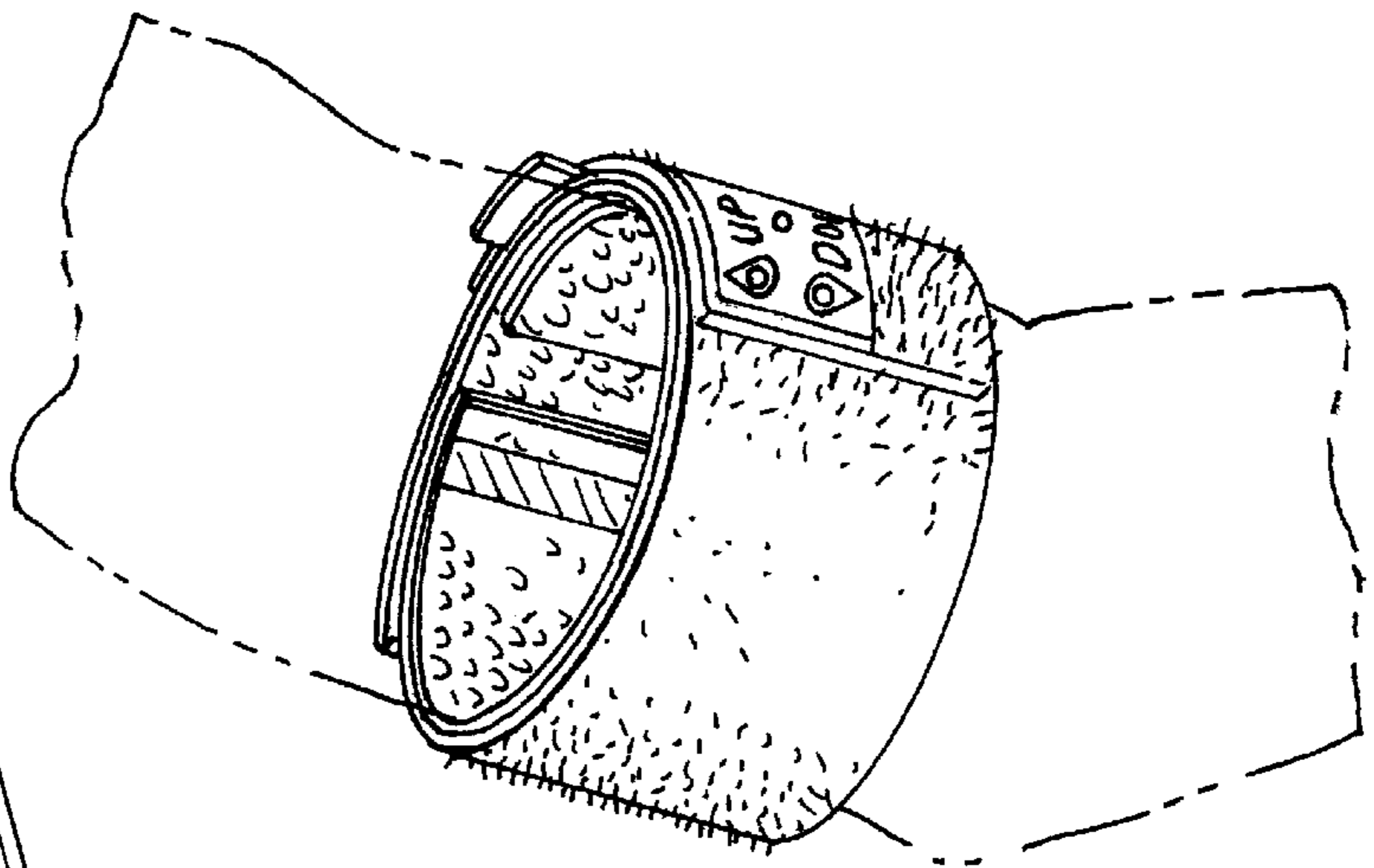


FIG. 8

FIG. 4

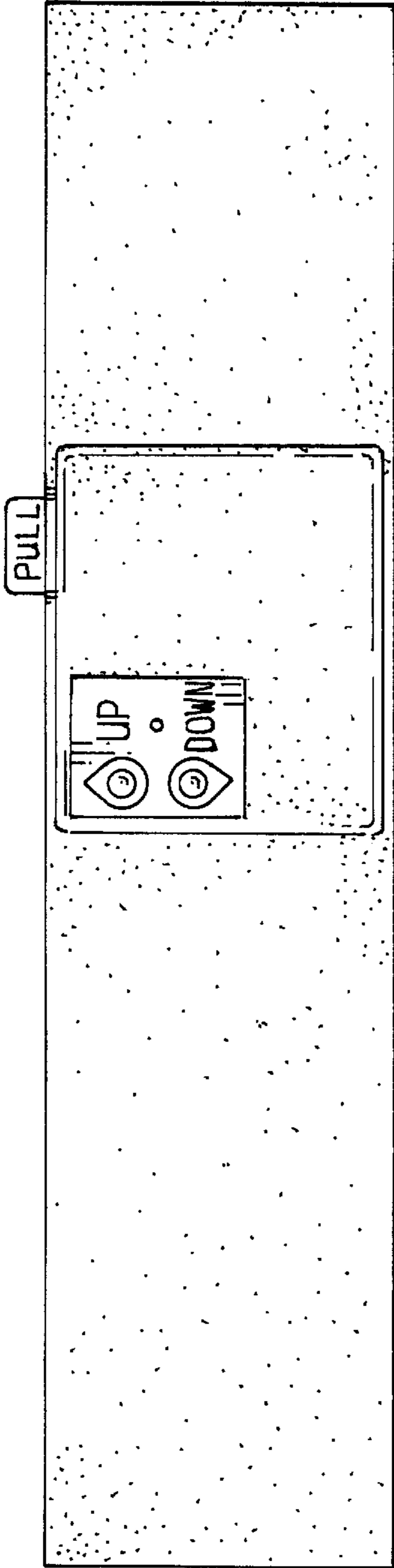


FIG. 5



FIG. 6

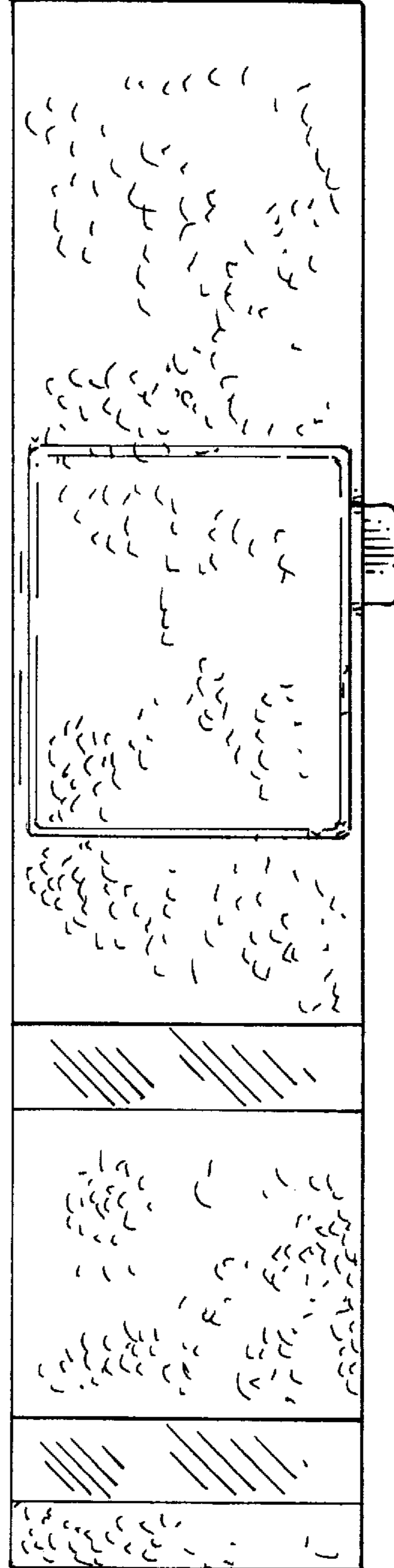


FIG. 7

