



US00D432238S

# United States Patent [19]

[11] Patent Number: Des. 432,238

Packard et al.

[45] Date of Patent: \*\* Oct. 17, 2000

[54] STETHOSCOPE CHESTPIECE PORTION

5,796,053 8/1998 Shieh ..... 181/131

[75] Inventors: Joy A. Packard; Thomas J. Packard, both of Somerset, Wis.

### OTHER PUBLICATIONS

[73] Assignee: 3M Innovative Properties Company, St. Paul, Minn.

Brochure entitled, "Littmann Classic II and Pediatric and Infant Stethoscope," dated Jan. 5, 1994, (1 page).

Brochure entitled, "The Allen Series," by Newport Instruments, Inc. (1983) (5 pages).

[\*\*] Term: 14 Years

Brochure entitled, "Have you heard the latest about Auscultation?", by Welch Allyn Company, (1987) (10 pages).

[21] Appl. No.: 29/105,028

Brochure entitled, "Jetz mit 10 Seiten Wohnmobil," by Wapema, (1988-1989) (8 pages).

[22] Filed: May 17, 1999

Brochure entitled, "Adgram," vol. 8, Issue 5, by American Diagnostic Corporation, Sep.-Oct. 1994, (1 page) Note the Master Adscope™ 600.

[51] LOC (7) Cl. .... 24-02

Catalog by nm Medical, (1994) (3 pages).

[52] U.S. Cl. .... D24/134

Brochure entitled, "Anesthesia Specialties" by Buffalo Medical Specialties MFG, Inc. (1983) (17 pages).

[58] Field of Search ..... 24/134; 181/131, 181/132, 137

Brochure entitled, "Series 22 Stethoscope," Series 12 Stethoscope and Price List dated Mar. 1, 1980, by Newport Instruments, Inc. (4 pages).

### [56] References Cited

#### U.S. PATENT DOCUMENTS

(List continued on next page.)

- D. 185,178 5/1959 Spears .
- D. 205,171 6/1966 Littmann .
- D. 213,257 1/1969 Littmann .
- D. 214,002 4/1969 Machlup et al. .
- D. 256,951 9/1980 Allen .
- D. 277,890 3/1985 Loughridge et al. .
- D. 323,394 1/1992 Casto et al. .
- D. 337,381 7/1993 Dufresne et al. .
- D. 338,269 8/1993 Dufresne et al. .
- D. 353,196 12/1994 Savage et al. .
- D. 363,120 10/1995 Savage et al. .
- D. 395,509 6/1998 Packard et al. .... D24/137
- D. 410,285 5/1999 Packard et al. .... D24/134
- 3,108,652 10/1963 Littmann .
- 3,275,099 9/1966 Speelman .
- 3,288,246 11/1966 Allen .
- 3,339,667 9/1967 Speelman .
- 3,472,335 10/1969 Allen .
- 3,570,625 3/1971 Allen .
- 4,440,258 4/1984 Packard .
- 4,475,619 10/1984 Packard .
- 4,569,413 2/1986 Allen .
- 4,852,684 8/1989 Packard .
- 4,913,259 4/1990 Packard .
- 4,995,473 2/1991 Packard .
- 5,288,953 2/1994 Peart .

Primary Examiner—Ian Simmons

Attorney, Agent, or Firm—Jeffrey J. Hohenshell

### [57] CLAIM

The ornamental design for a stethoscope chestpiece portion, as shown and described.

### DESCRIPTION

FIG. 1 is a front, left perspective view of the stethoscope chestpiece portion showing our new design;

FIG. 2 is a top view thereof;

FIG. 3 is a bottom view thereof;

FIG. 4 is a front view thereof;

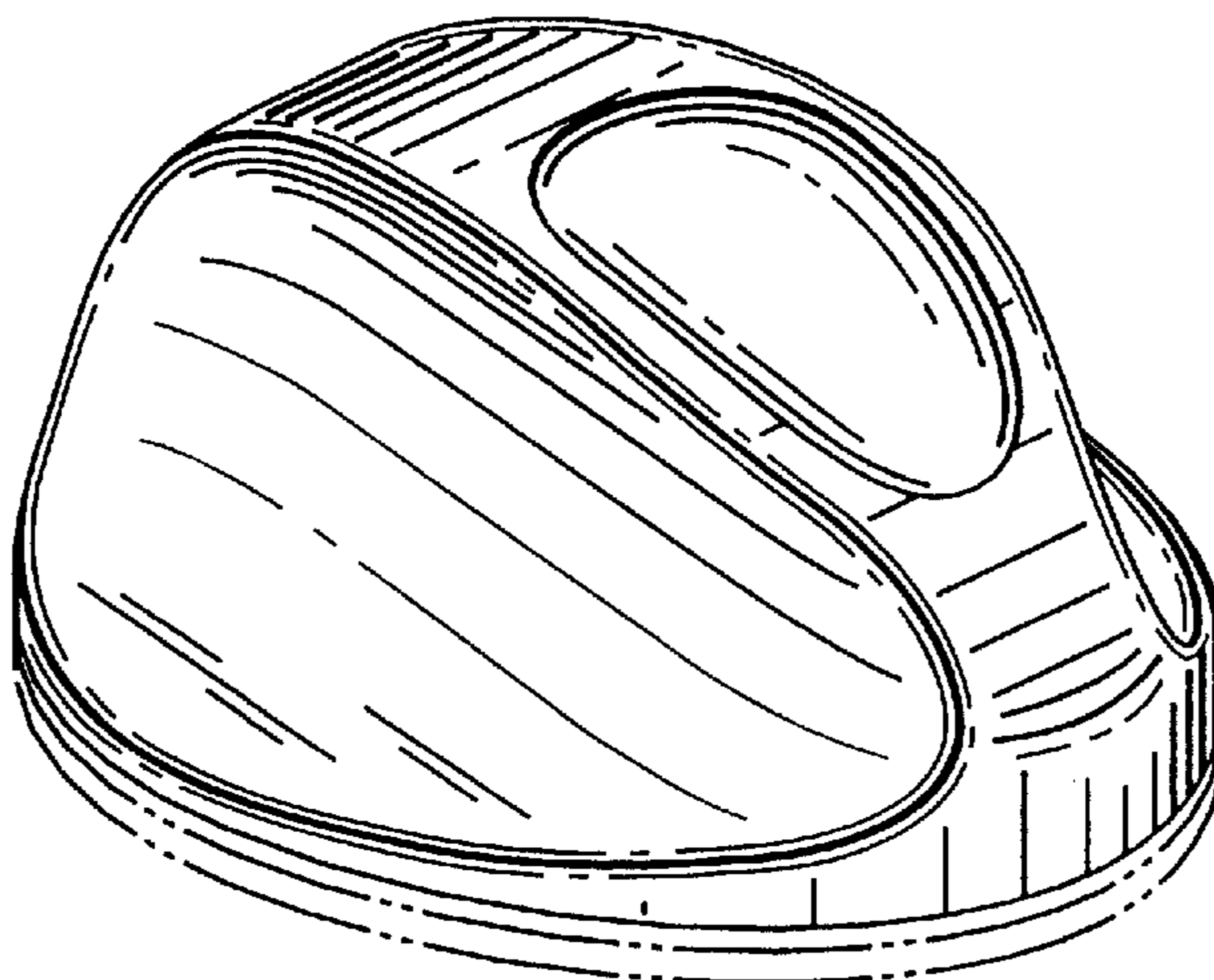
FIG. 5 is a rear view thereof;

FIG. 6 is a left side view thereof; and,

FIG. 7 is a right side view thereof.

The broken lines in FIGS. 1, 2 and 4-7 show a part of the stethoscope chestpiece for illustrative purposes only and form no part of the illustrated design.

1 Claim, 3 Drawing Sheets



OTHER PUBLICATIONS

Brochure entitled, "Littmann Classic II Stethoscope, The standard of the industry," 3M HealthCare, (1 page).

Brochure entitled, "3MLittmann Master Classic Stethoscope, The most efficient general exam stethoscope," 3M HealthCare (1 page).

Brochure entitled, "Heine Gamma 20" by Heine USA LTD, (1 page).

Brochure entitled, "Die MET-Stethoskop-Baureihe", by F.L. Fischer, (2 pages).

Brochure entitled, "3MLittmann Master Cardiology Stethoscope," 3M Health Care (1 page).

Brochure entitled, "3M Littmann Cardiology II Stethoscope," (1 page).

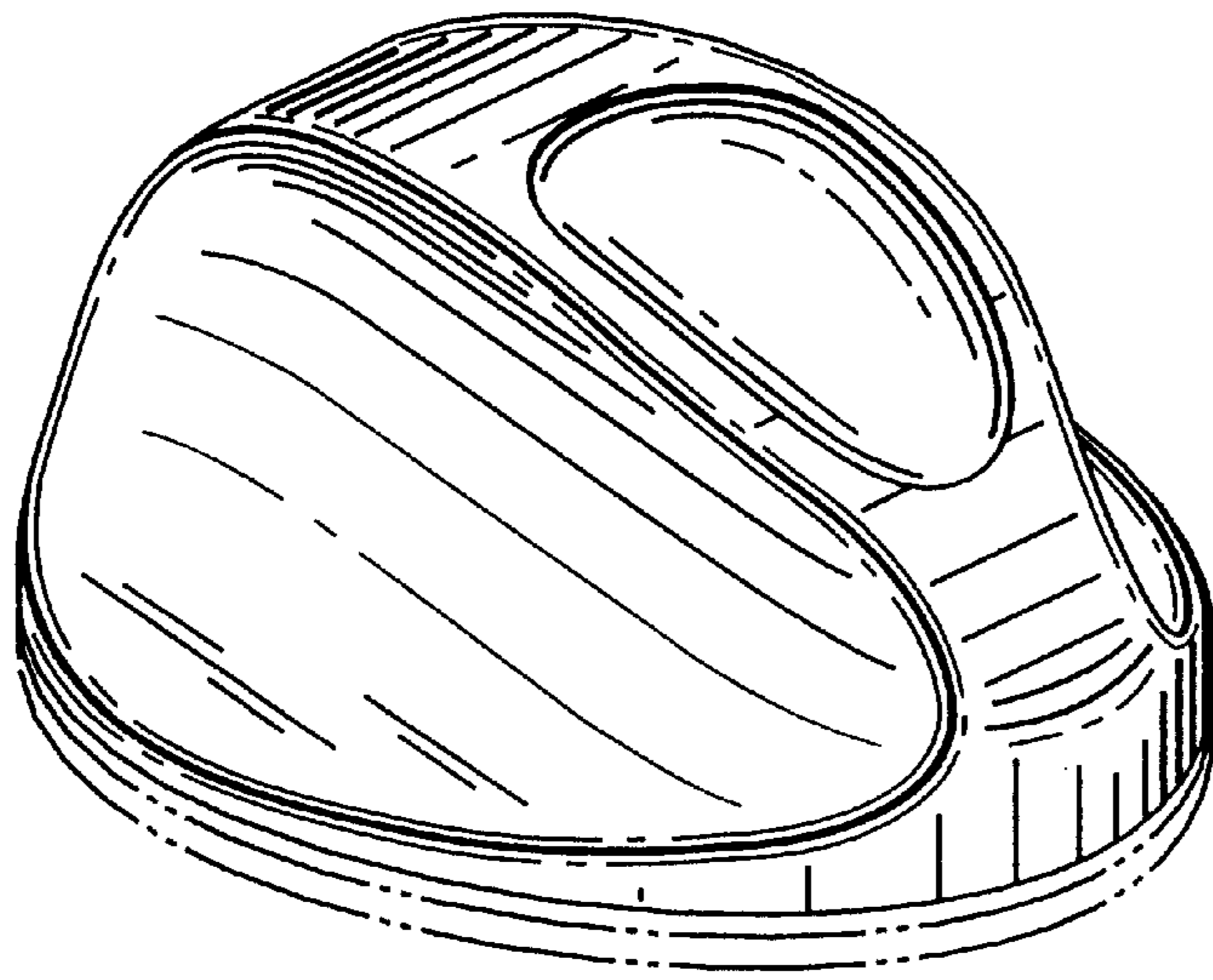
Brochure entitled, "Heine Gamma", by Heine USA LTD, (3 pages), (prior art).

Brochure entitled, "Sensitive Dual Membrane Stethoscope", by Erka (2 pages), (prior art).

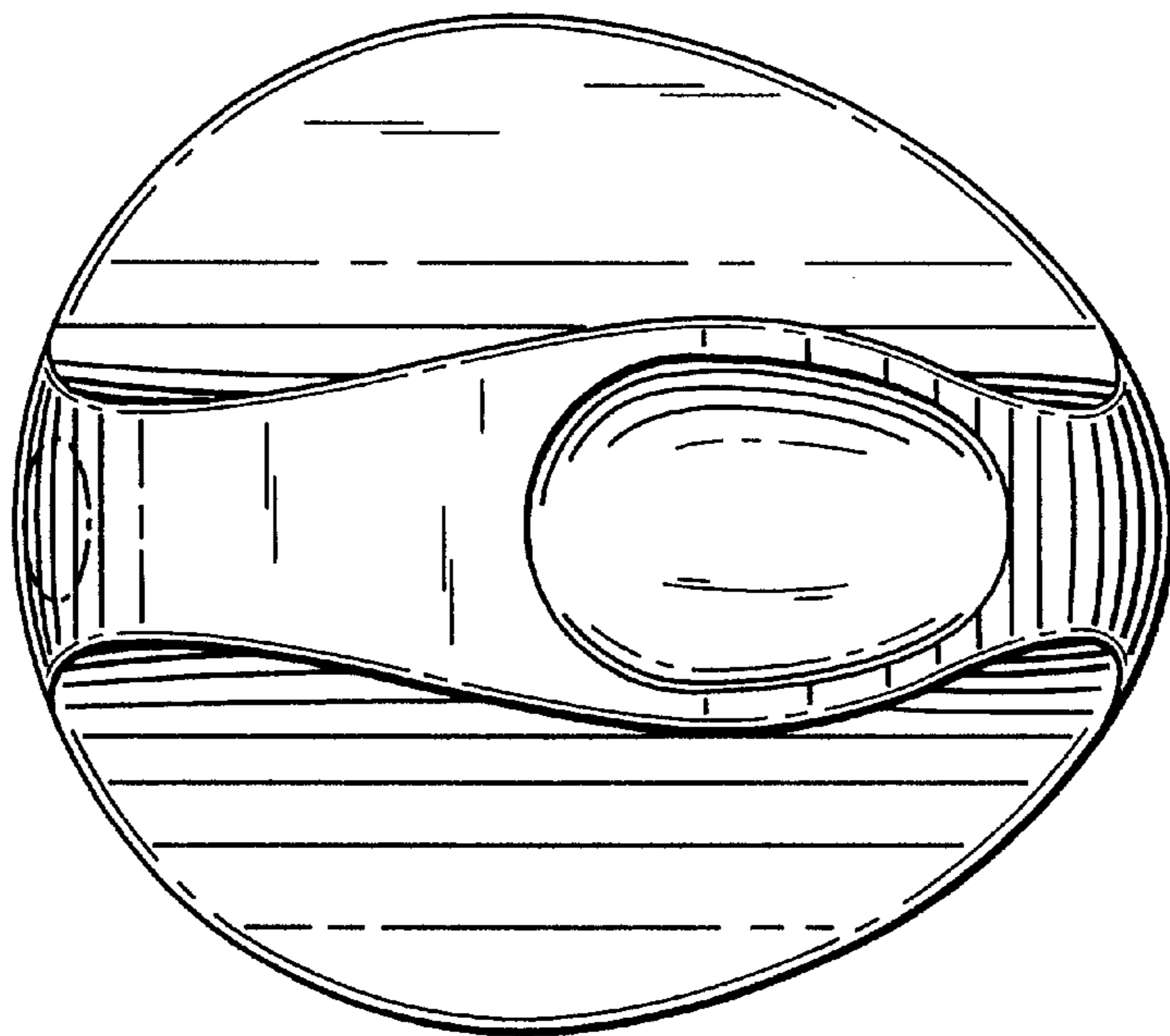
Brochure entitled, "Sphygmomanometers, Stethoscopes & Accessories," by Welch Allyn Company, (5 pages), (prior art).

Brochure entitled, "Range of Stethoscopes", by Kamed@ Medical Apparatus and Instruments, (13 pages), (prior art).

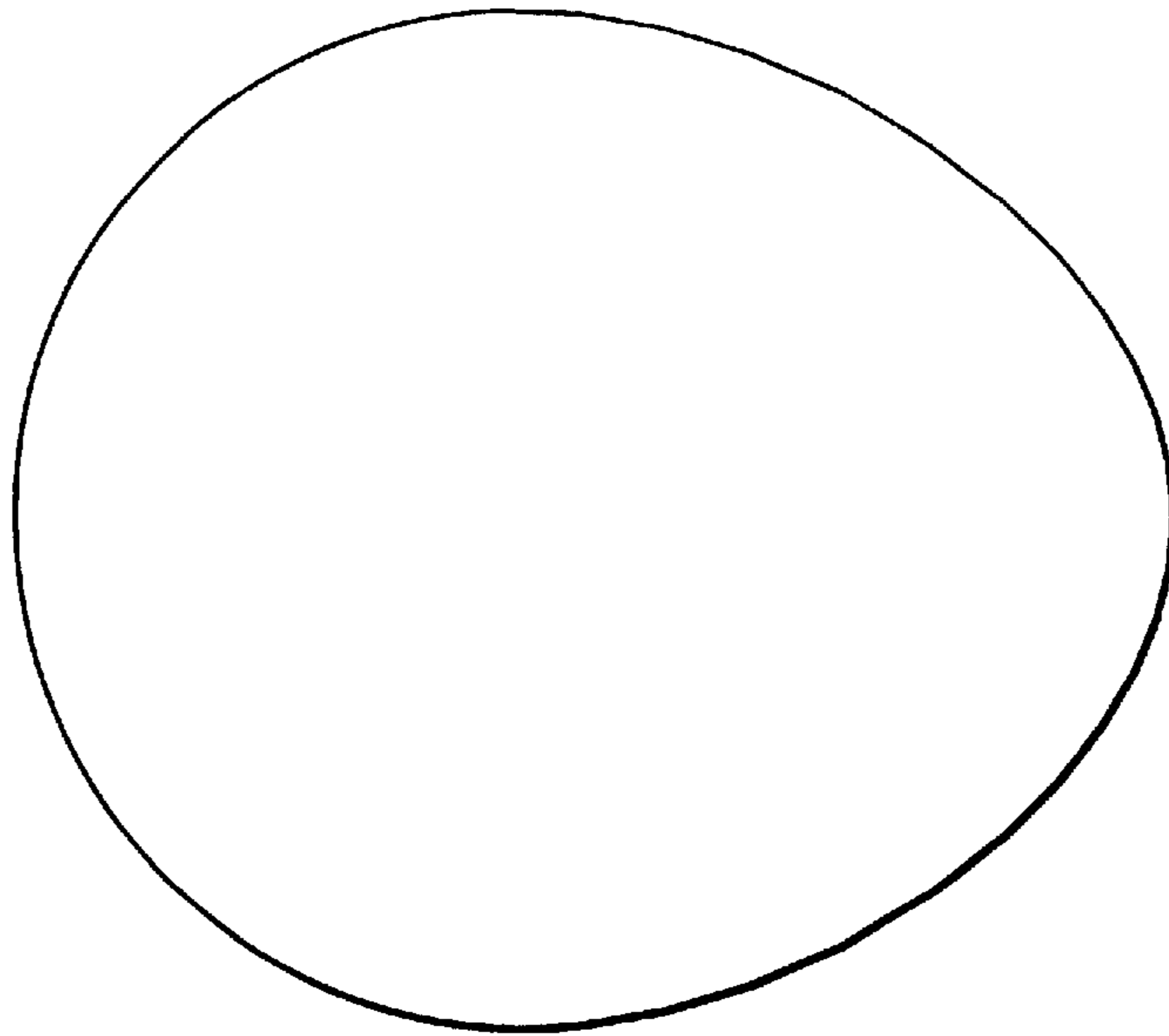
Catalog by American Diagnostic Corporation entitled, "Medical Instruments Worldwide Catalogue", (8 pages), (prior art).



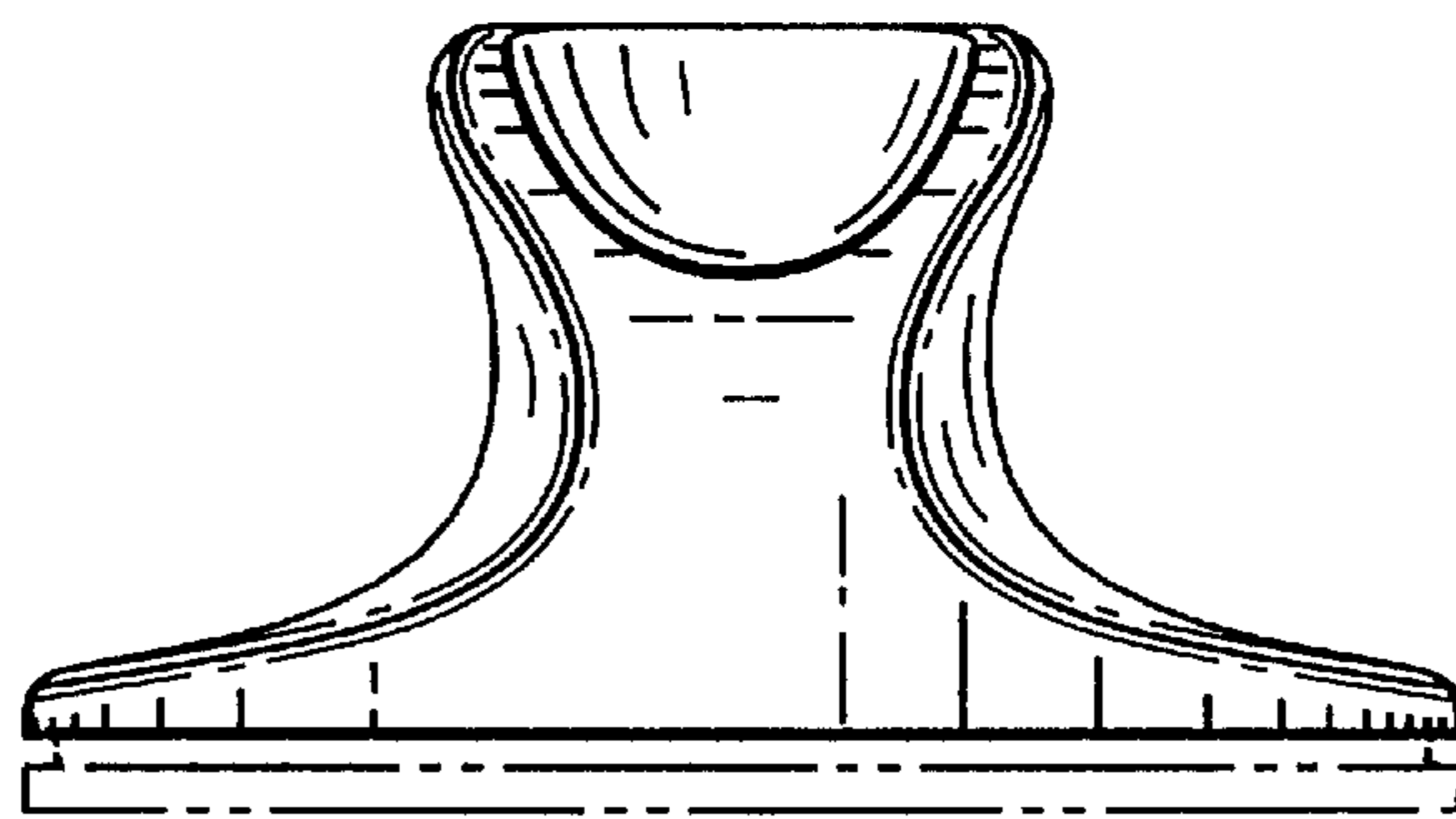
**Fig. 1**



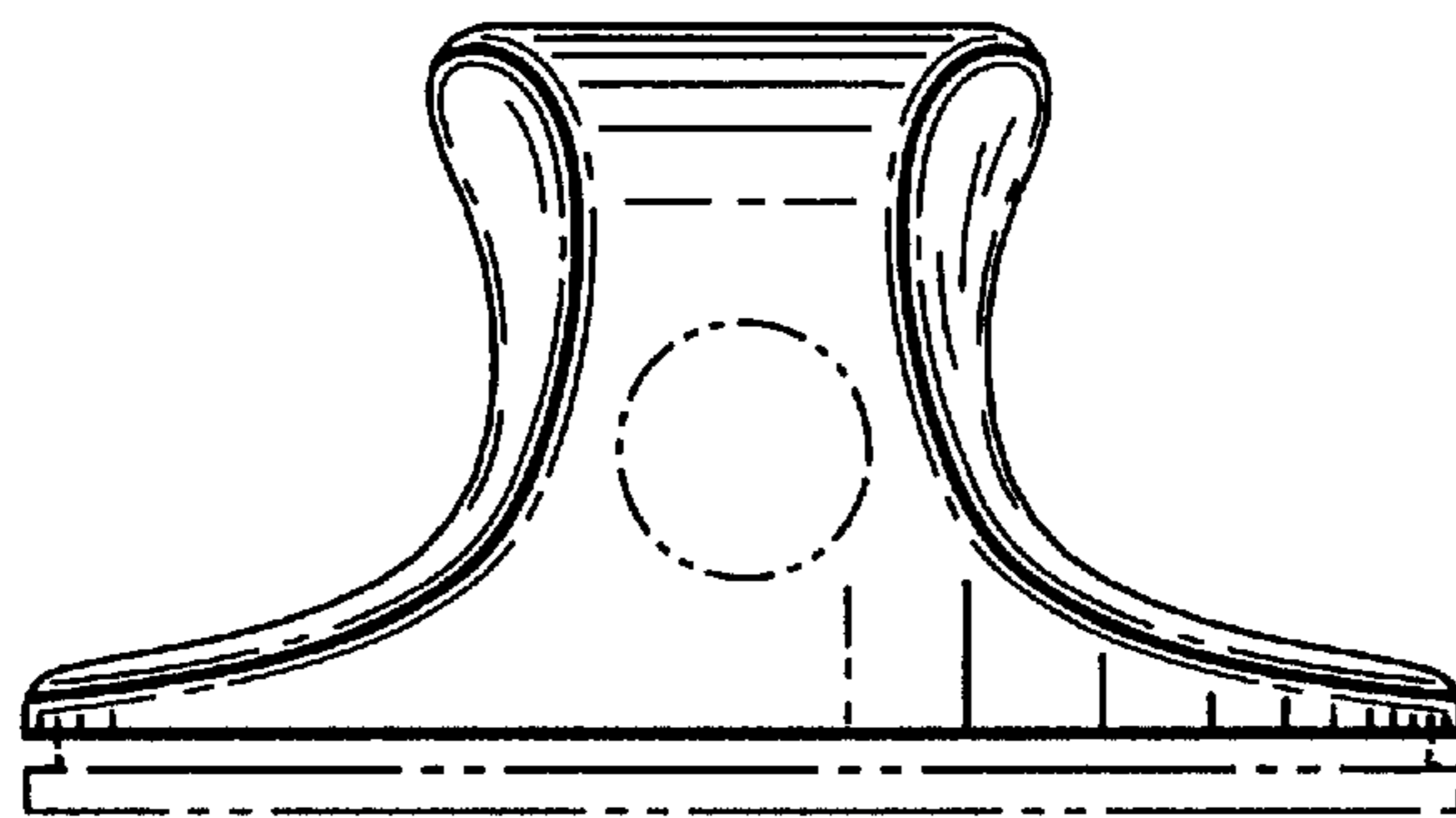
**Fig. 2**



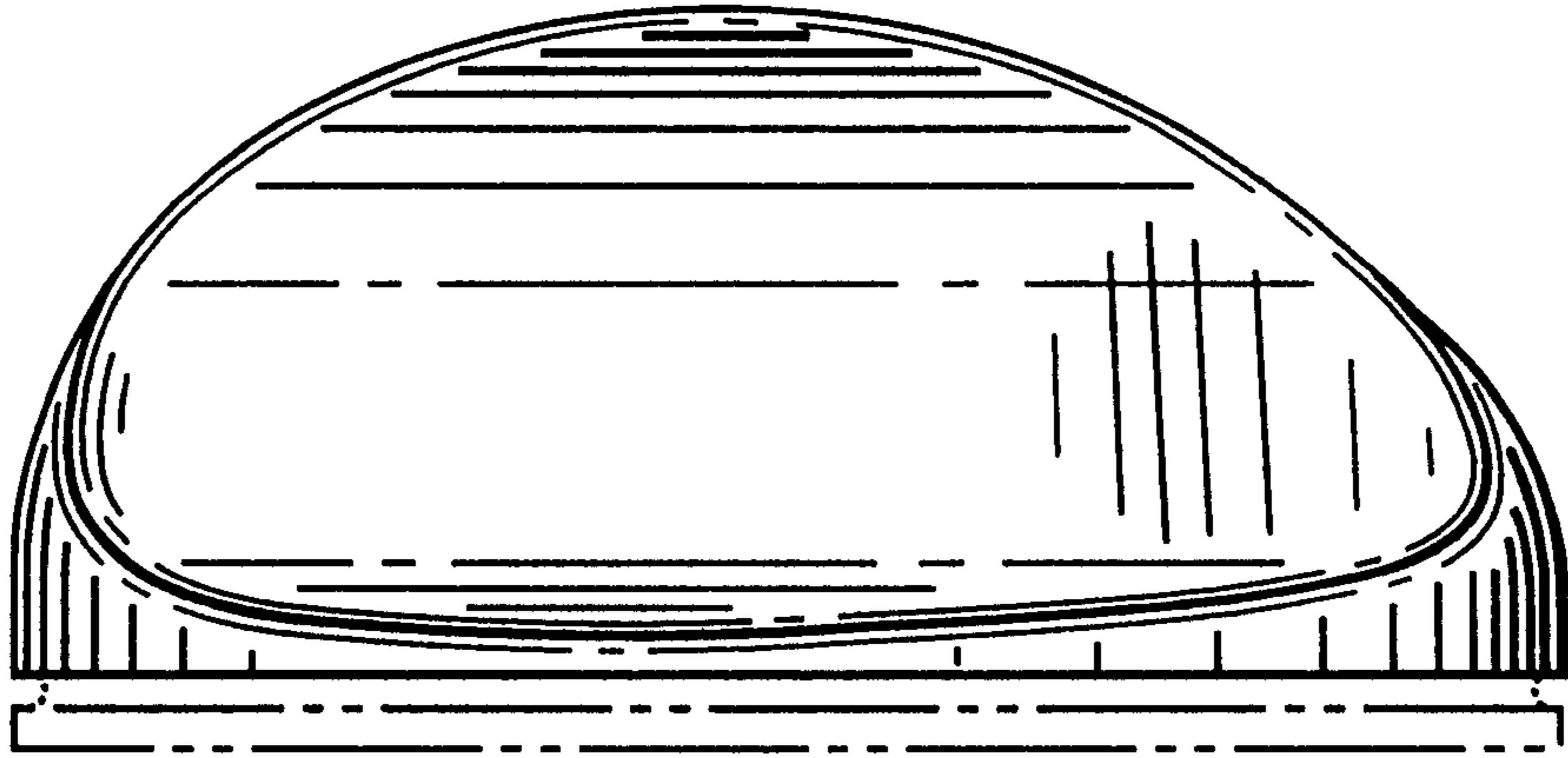
**Fig. 3**



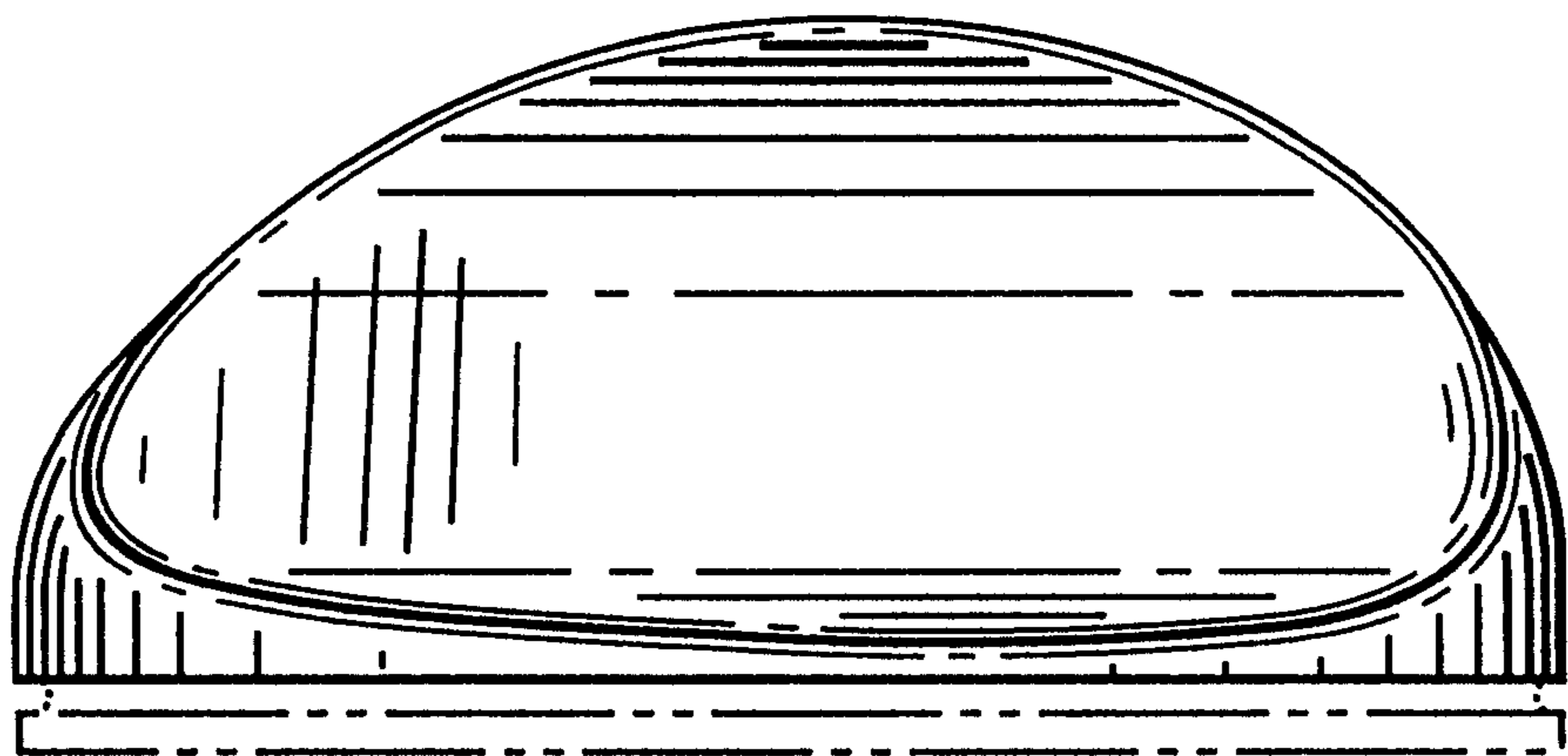
**Fig. 4**



**Fig. 5**



**Fig. 6**



**Fig. 7**