



US00D432237S

United States Patent [19] Shick

[11] **Patent Number: Des. 432,237**

[45] **Date of Patent: ** Oct. 17, 2000**

[54] **STETHOSCOPE**

[75] Inventor: **Dennis Shick**, Burbank, Calif.

[73] Assignee: **Prestige Medical Corporation**, Northridge, Calif.

[**] Term: **14 Years**

[21] Appl. No.: **29/084,093**

[22] Filed: **Feb. 24, 1998**

[51] **LOC (7) Cl.** **24-02**

[52] **U.S. Cl.** **D24/134**

[58] **Field of Search** D24/134; 181/131,
181/137

[56] **References Cited**

U.S. PATENT DOCUMENTS

D. 390,660	2/1998	Rashman et al.	D24/134
D. 398,056	9/1998	Rashman	D24/134
D. 401,337	11/1998	Rashman	D24/134
5,861,584	1/1999	Shieh	181/131

OTHER PUBLICATIONS

Henry Schein Inc Medical, Pharmaceutical & Supply Catalog "Sprague Rappaport Type Stethoscope" item 100-2892, 1992.

ADC Medical Instruments Worldwide Catalogue Stethoscopes, 1995.

Primary Examiner—Ian Simmons
Attorney, Agent, or Firm—Blakely Sokoloff, Taylor & Zafman

[57] **CLAIM**

The ornamental design for a stethoscope, as shown and described.

DESCRIPTION

FIG. 1 is a front and right side perspective view showing my new design. The broken line shown is for illustrative purposes only and forms no part of the claimed design;

FIG. 2 is a front elevational view thereof.

FIG. 3 is a rear elevational view thereof.

FIG. 4 is a top plan view thereof.

FIG. 5 is a left side elevational view thereof, the right side being a mirror image; and,

FIG. 6 is a bottom plan view thereof.

1 Claim, 2 Drawing Sheets

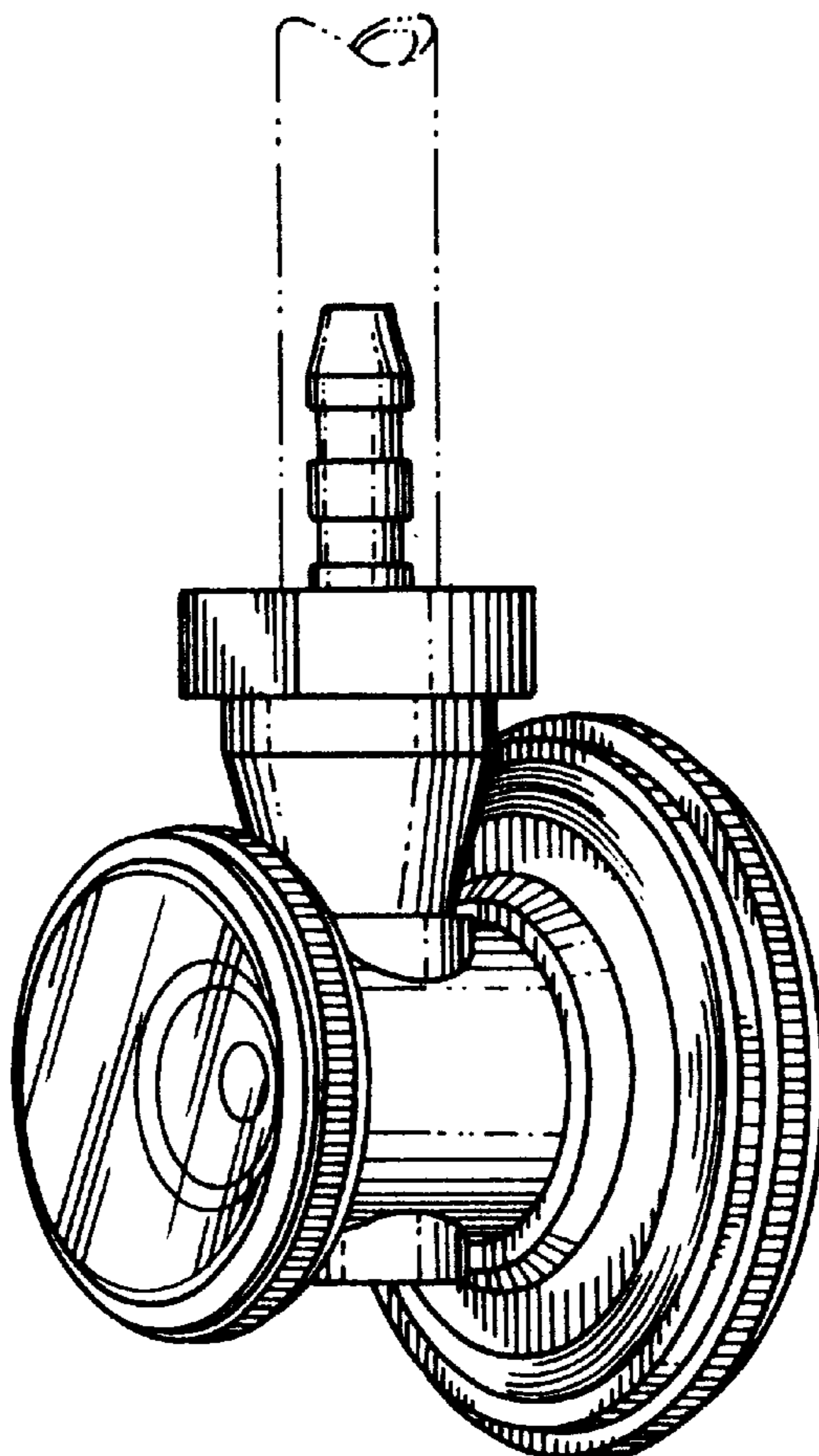


FIG. 1

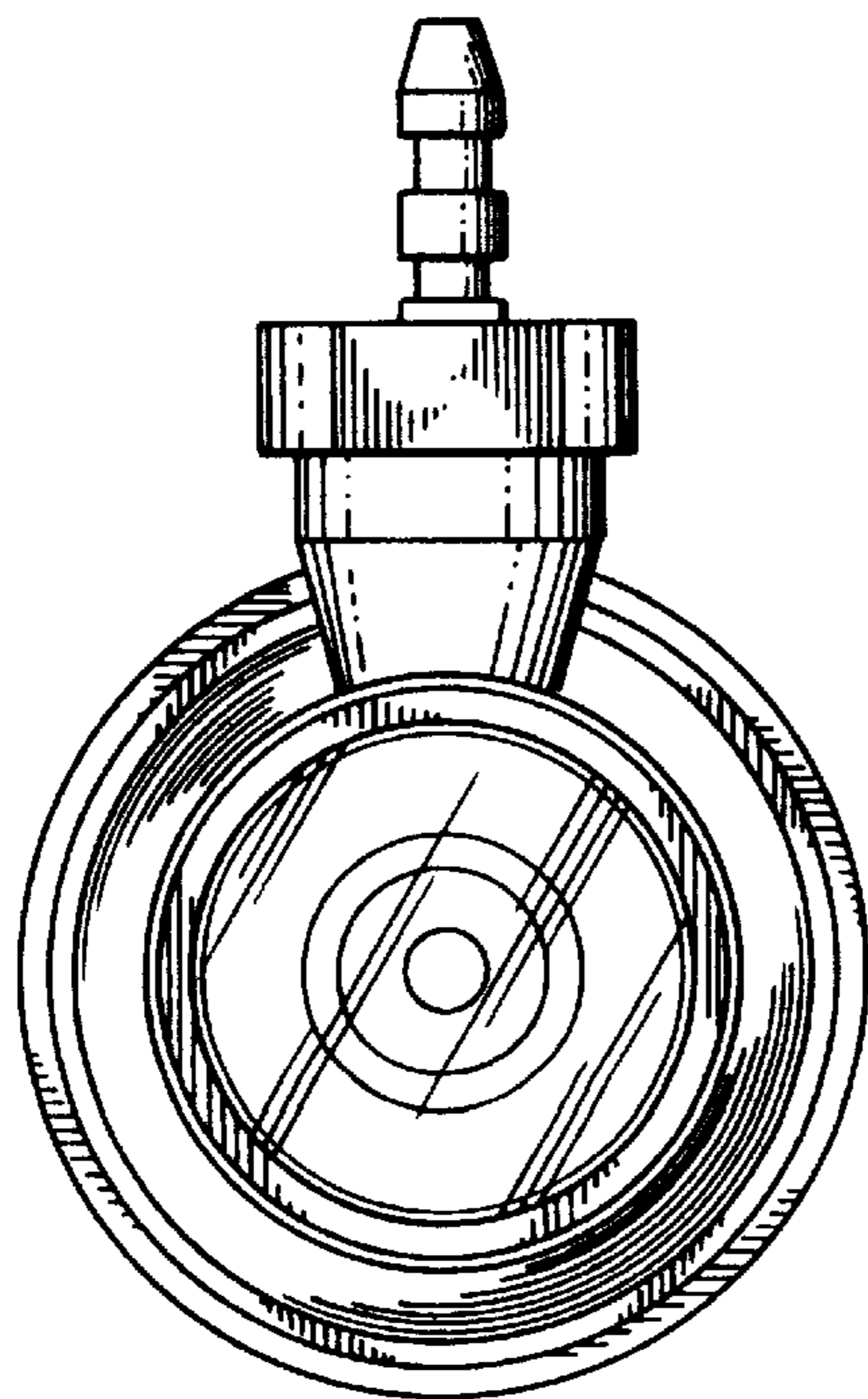
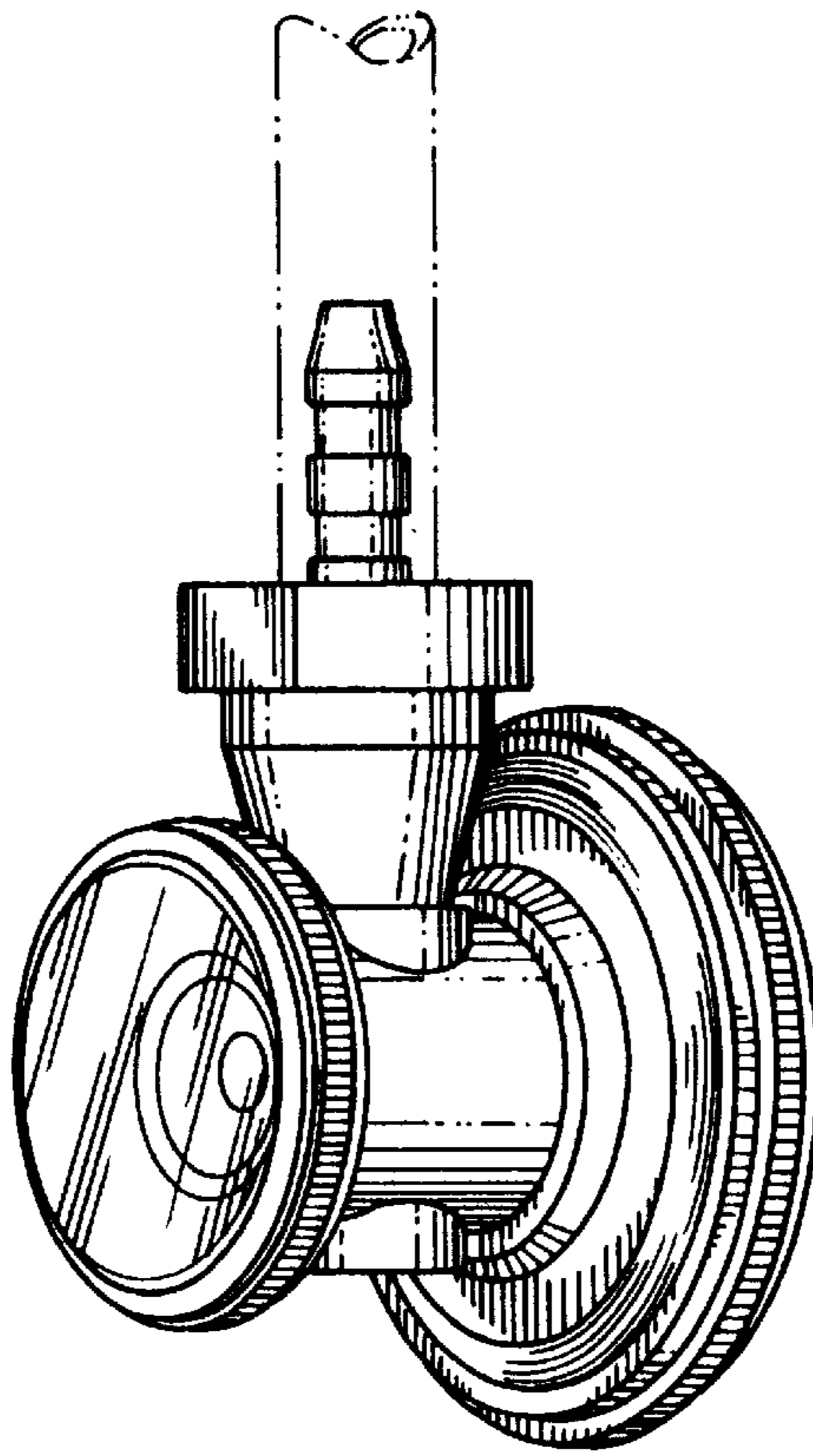


FIG. 2

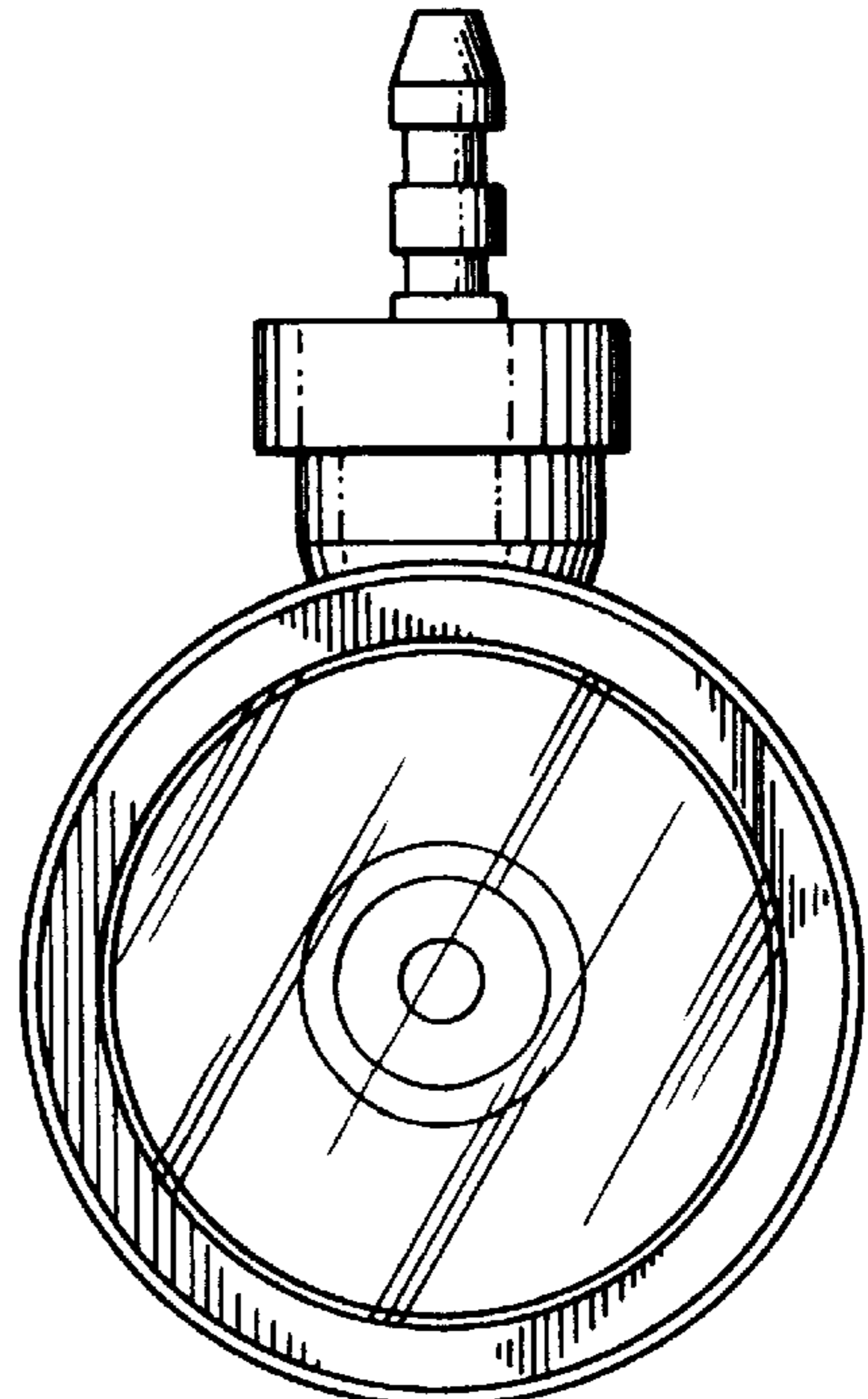


FIG. 3

FIG. 4

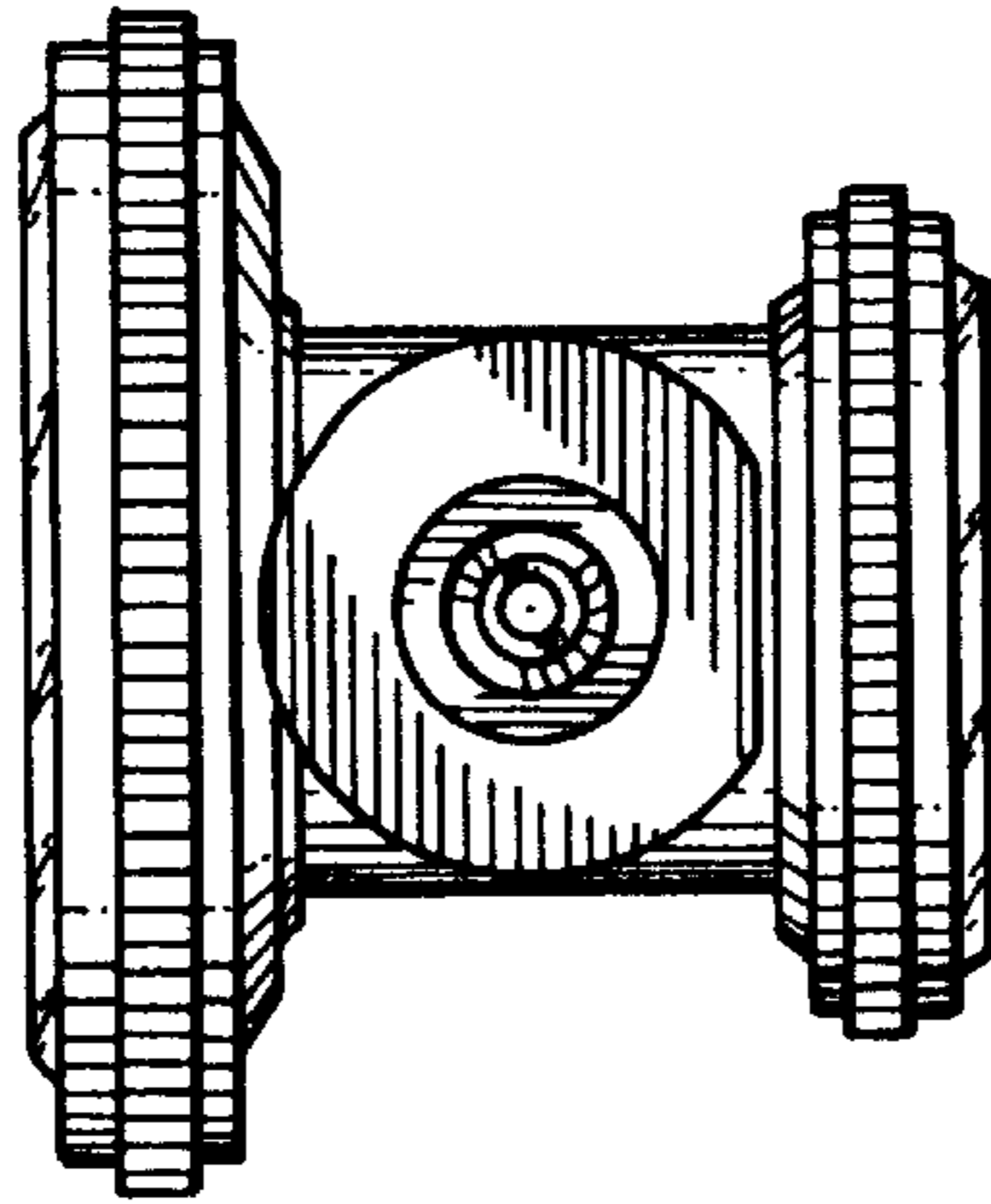


FIG. 5

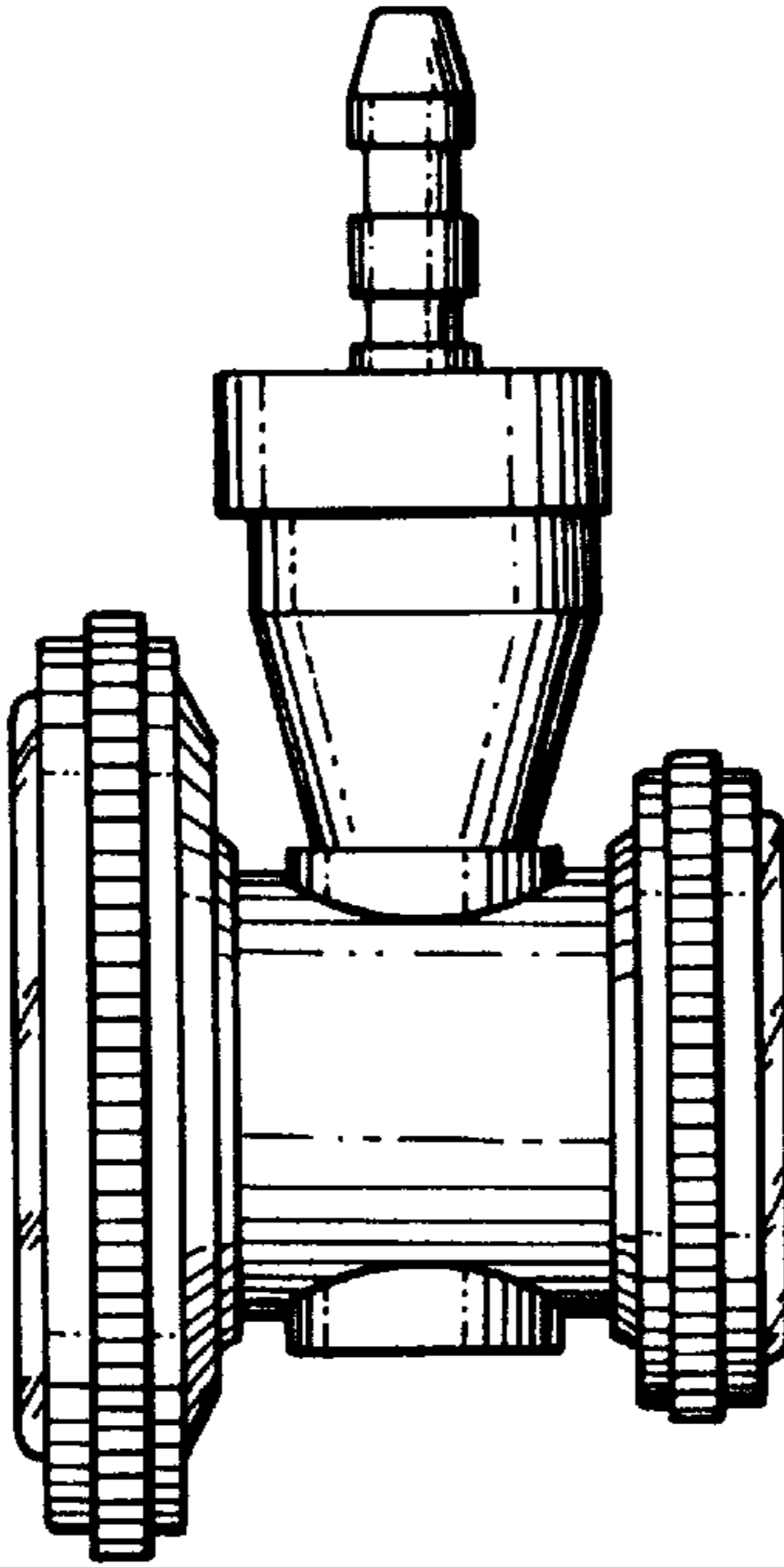


FIG. 6

