



US00D432224S

# United States Patent [19]

Hautmann et al.

[11] Patent Number: Des. 432,224

[45] Date of Patent: \*\* Oct. 17, 2000

[54] CONTAINER FOR FRAGRANT LIQUIDS

[75] Inventors: **Horst Hautmann**, Neuburg/Donau;  
**Georg Schimanski**, Hagen, both of  
Germany

[73] Assignee: **Jeyes Deutschland GmbH**, Neuburg,  
Donau

[\*\*] Term: **14 Years**

[21] Appl. No.: **29/115,184**

[22] Filed: **Dec. 10, 1999**

[51] LOC (7) Cl. .... **23-04**

[52] U.S. Cl. .... **D23/366**

[58] Field of Search ..... D23/366-369;  
239/54, 34, 60, 55, 56; 261/DIG. 65; 422/305,  
120

### [56] References Cited

#### U.S. PATENT DOCUMENTS

3,220,913	11/1965	Thomas	.....	239/60
4,849,181	7/1989	Kelley et al.	.....	239/60
5,297,732	3/1994	Hahn	.....	239/55

Primary Examiner—Lisa Lichtenstein

Attorney, Agent, or Firm—Sughrue, Mion, Zinn, Macpeak & Seas, PLLC

### [57] CLAIM

The ornamental design for a container for fragrant liquids, as shown and described.

### DESCRIPTION

FIG. 1 is a front elevational view thereof, it being understood that the front elevational view is identical to the rear and both side elevational views;

FIG. 2 is a bottom plan view thereof;

FIG. 3 is a top plan view thereof;

FIG. 4 is a perspective view of the front and a portion of the sides, according to our new design, it being understood that the perspective view of the rear and a portion of the sides would be identical;

FIG. 5 is an exploded perspective view of the front and a portion of the sides thereof, it being understood that the exploded perspective view of the rear and a portion of the sides would be identical; and,

FIG. 6 is an exploded perspective view of the front and a portion of the sides thereof, it being understood that the exploded perspective view of the rear and a portion of the sides would be identical.

1 Claim, 4 Drawing Sheets

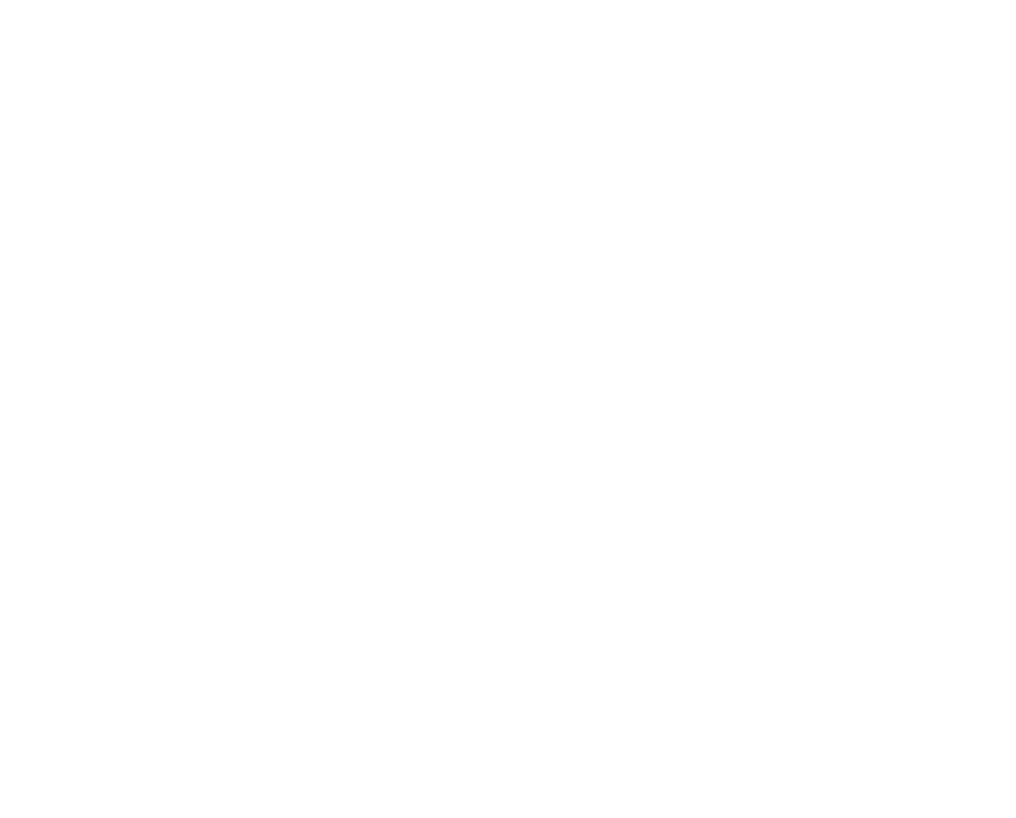
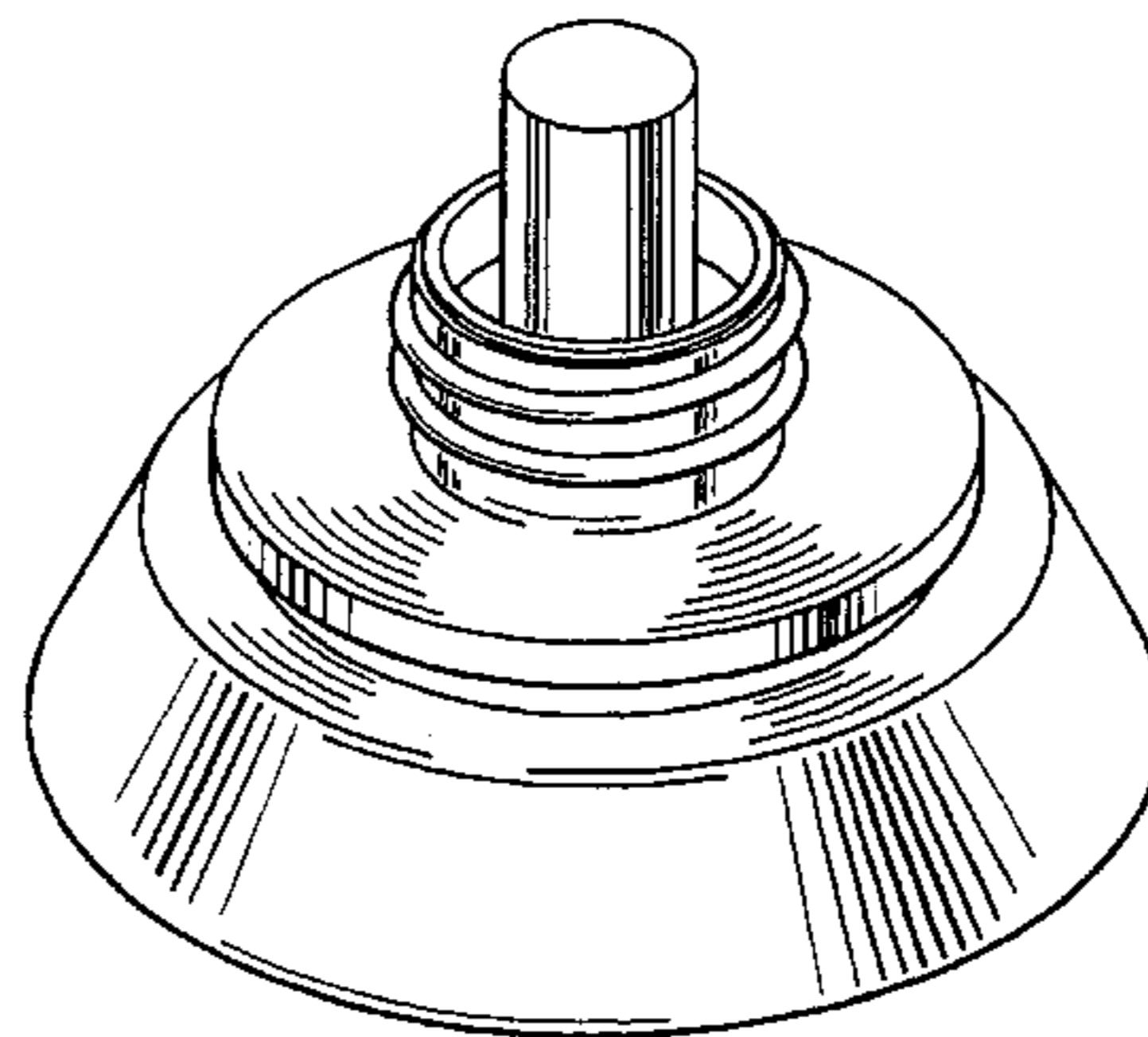
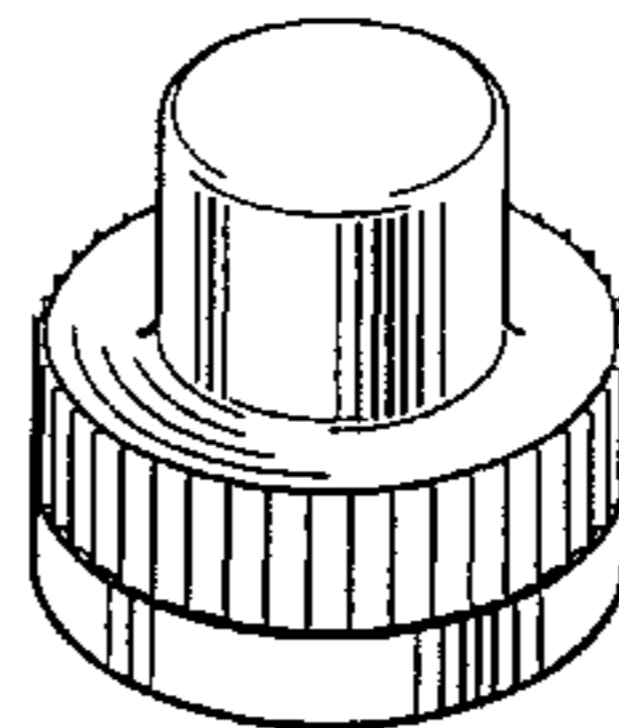
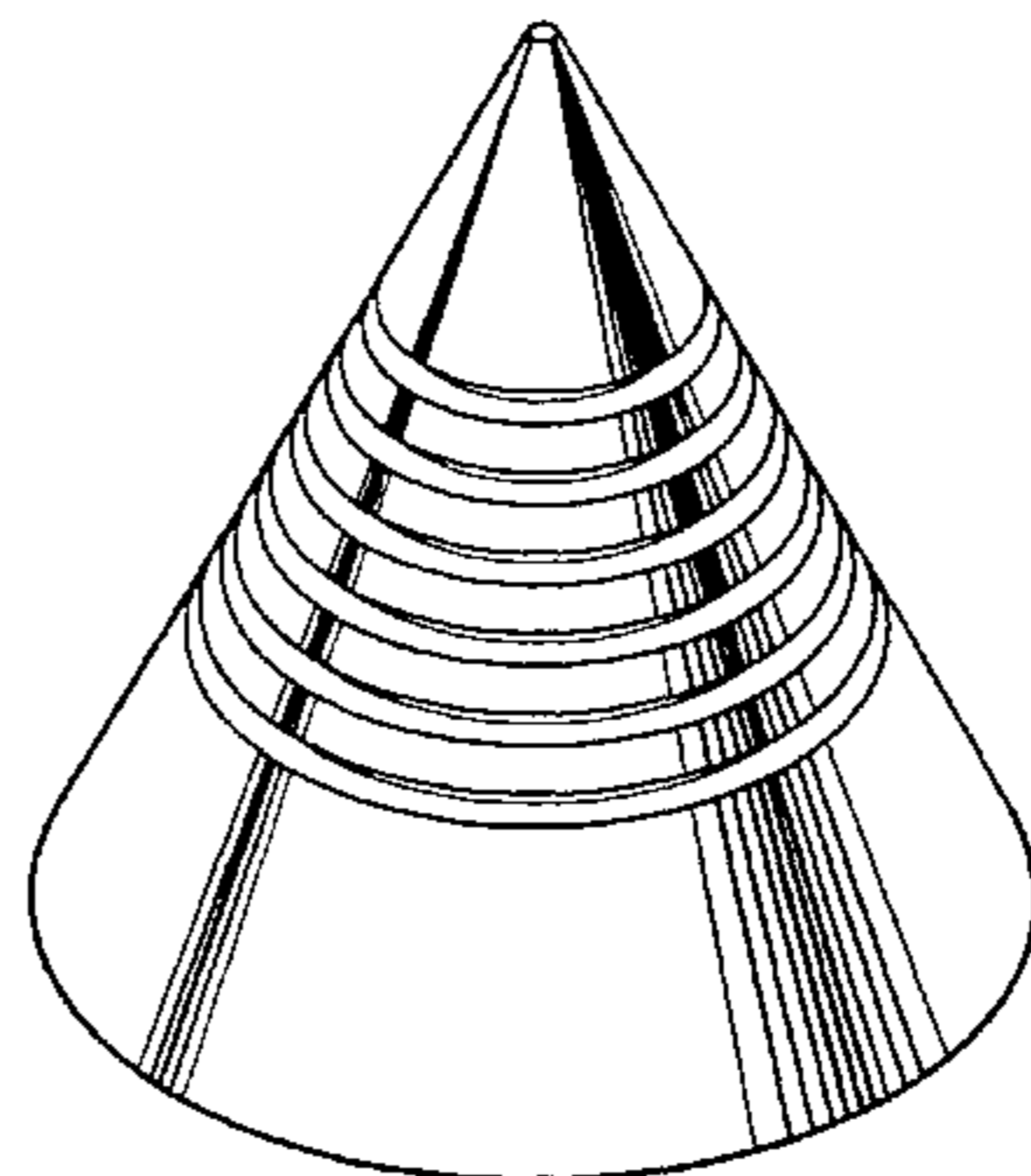
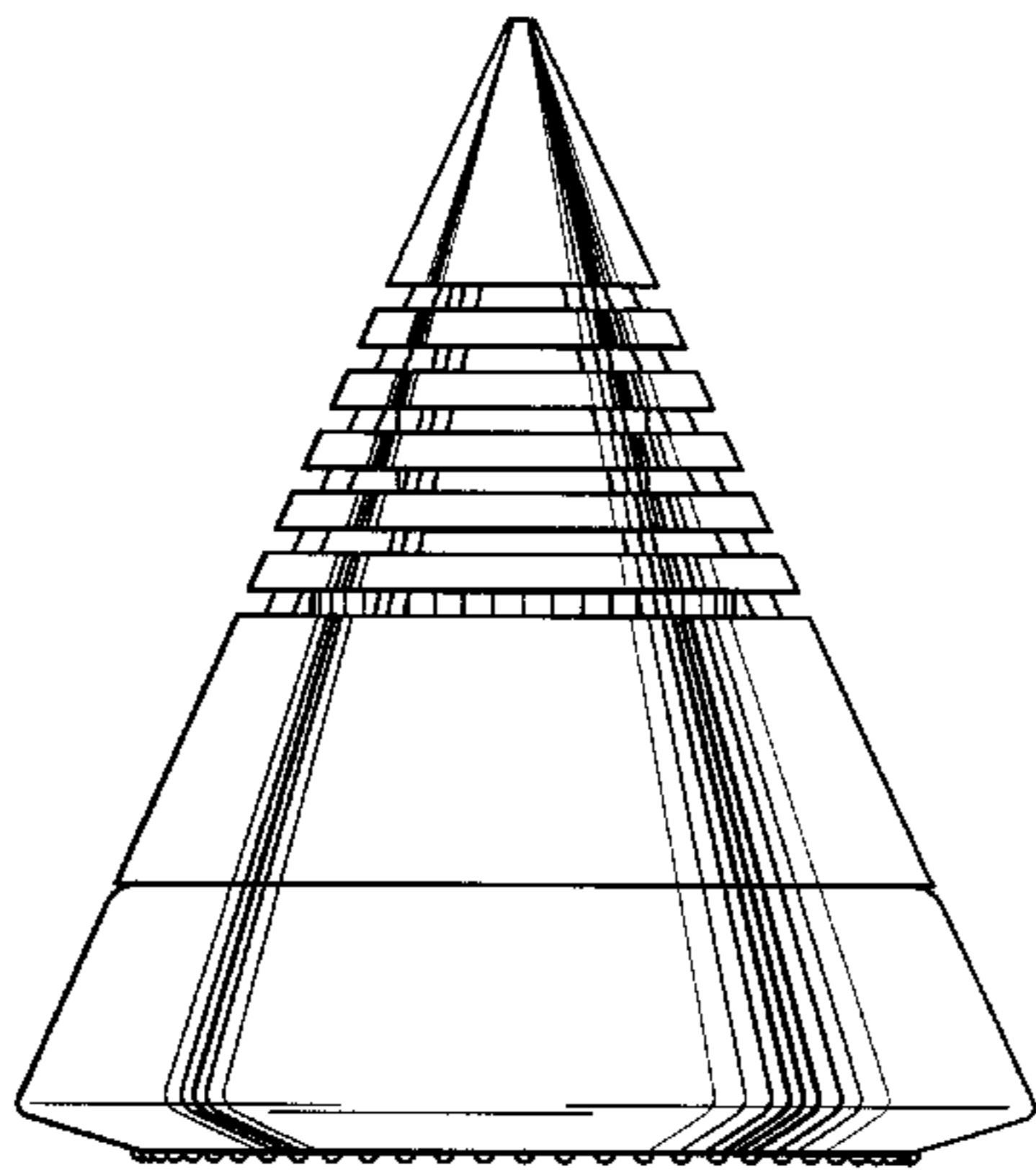


FIG 1

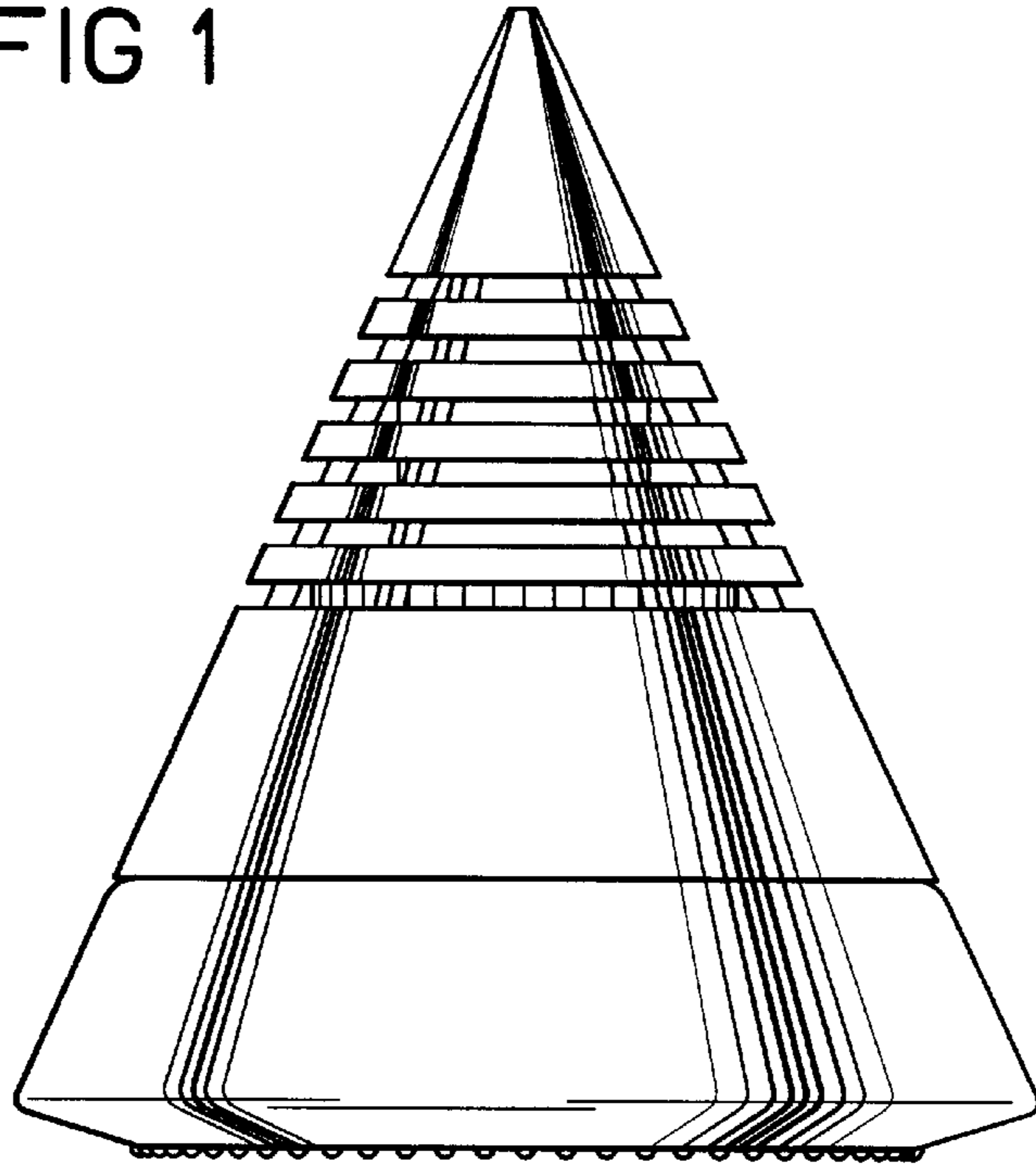


FIG 2

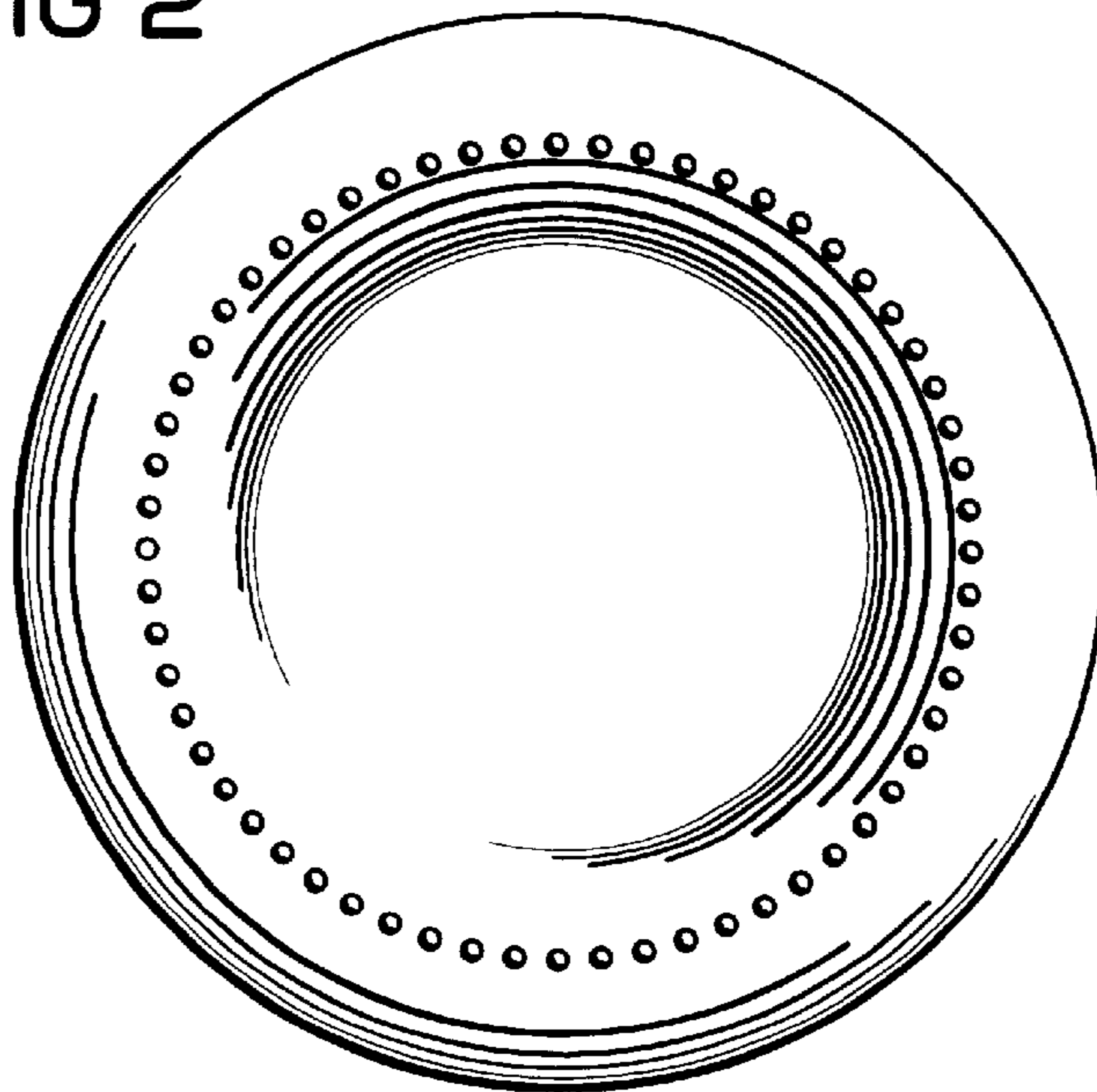


FIG 3

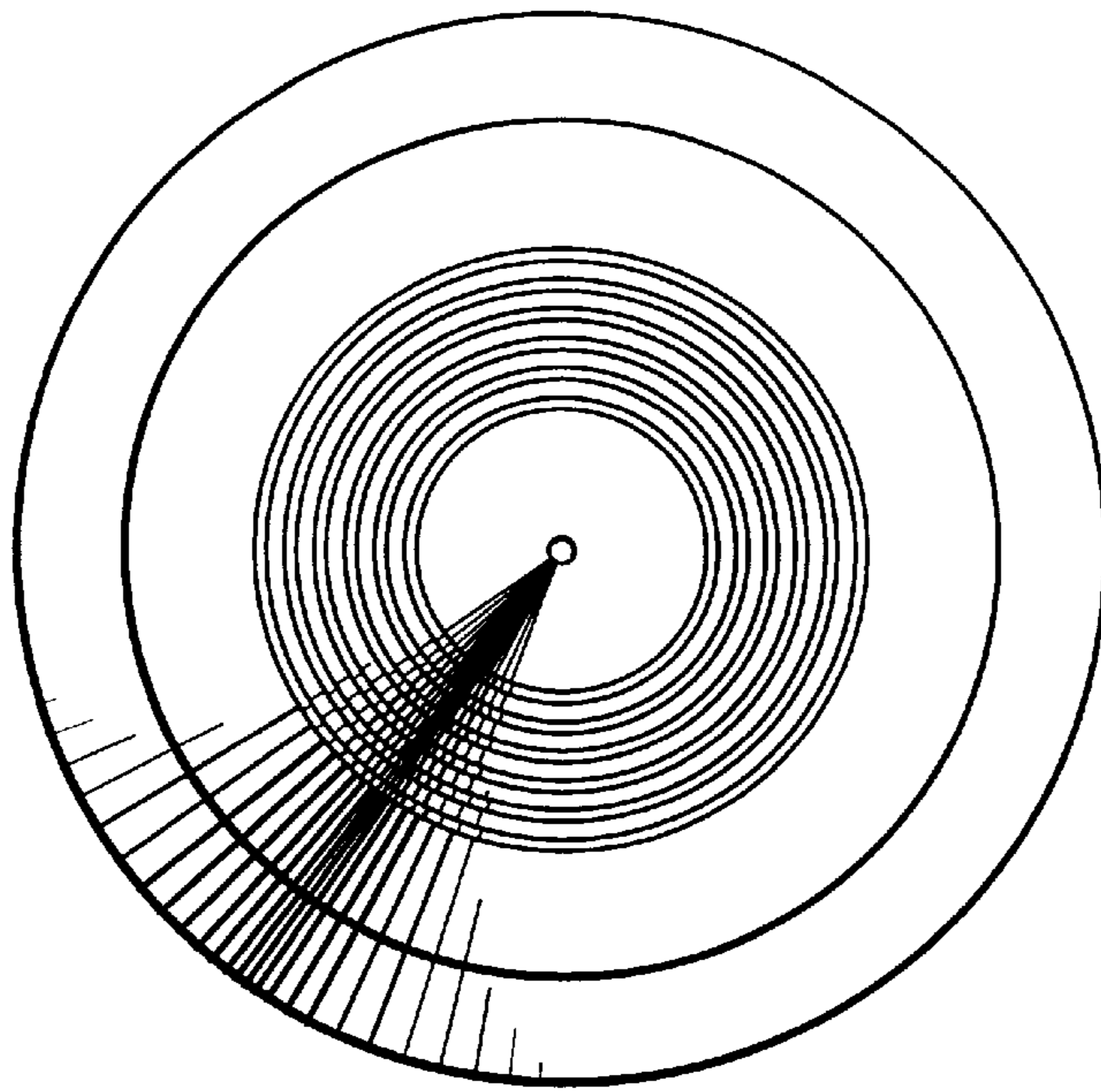


FIG 4

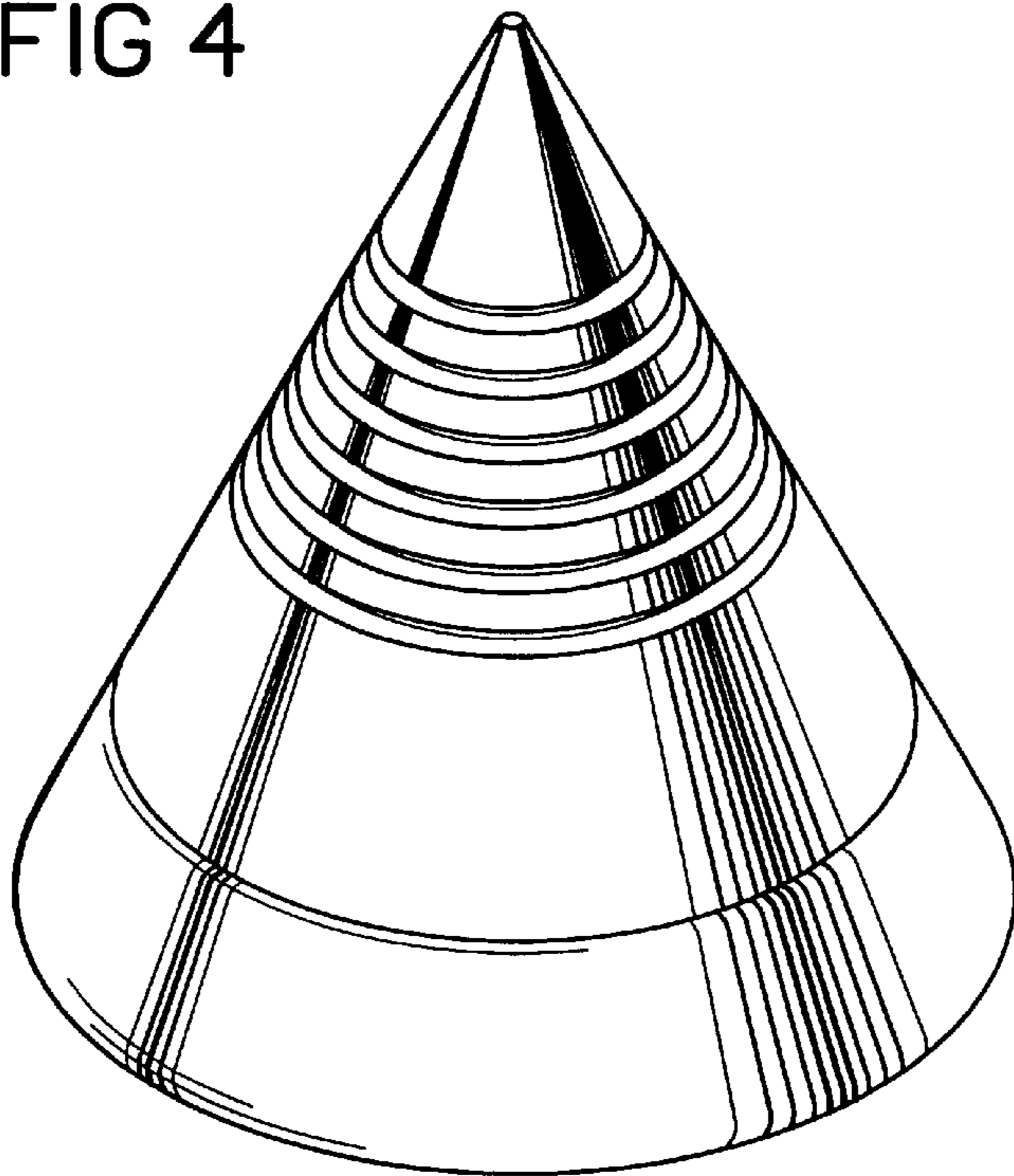


FIG 5

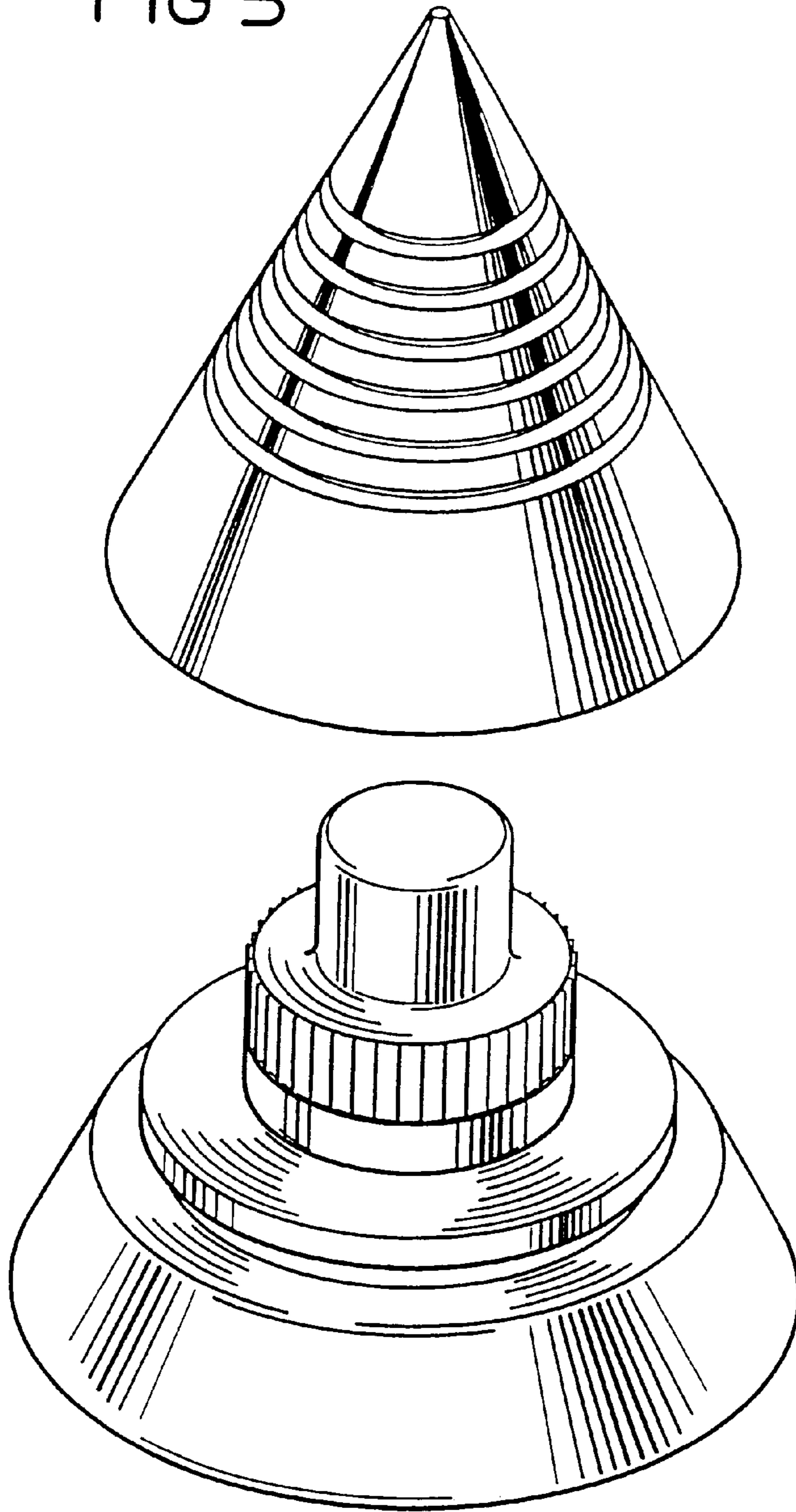


FIG 6

