



US00D432223S

United States Patent [19] King

[11] **Patent Number: Des. 432,223**

[45] **Date of Patent: ** Oct. 17, 2000**

[54] **BILLET AIR FRESHENER**

5,297,732 3/1994 Hahn 239/55

[76] Inventor: **Robert King**, 25251 Remesa, Mission Viejo, Calif. 92691

Primary Examiner—Lisa Lichtenstein
Attorney, Agent, or Firm—Eric Karich

[**] Term: **14 Years**

[57] **CLAIM**

[21] Appl. No.: **29/110,805**

The ornamental design for a “billet air freshener,” as shown and described.

[22] Filed: **Sep. 13, 1999**

DESCRIPTION

[51] **LOC (7) Cl.** **23-04**

[52] **U.S. Cl.** **D23/366**

[58] **Field of Search** D23/366–369;
261/DIG. 65; 422/305, 120; 239/58, 57,
56, 54, 53, 60

FIG. 1 is a perspective view of a billet air freshener, showing my new design;

FIG. 2 is a front elevational view thereof;

FIG. 3 is a left side elevation view thereof, the right side elevation view being a mirror image thereof;

FIG. 4 is a top plan view thereof; and,

FIG. 5 is a bottom plan view thereof.

[56] **References Cited**

U.S. PATENT DOCUMENTS

4,523,870 6/1985 Spector D23/369

1 Claim, 2 Drawing Sheets

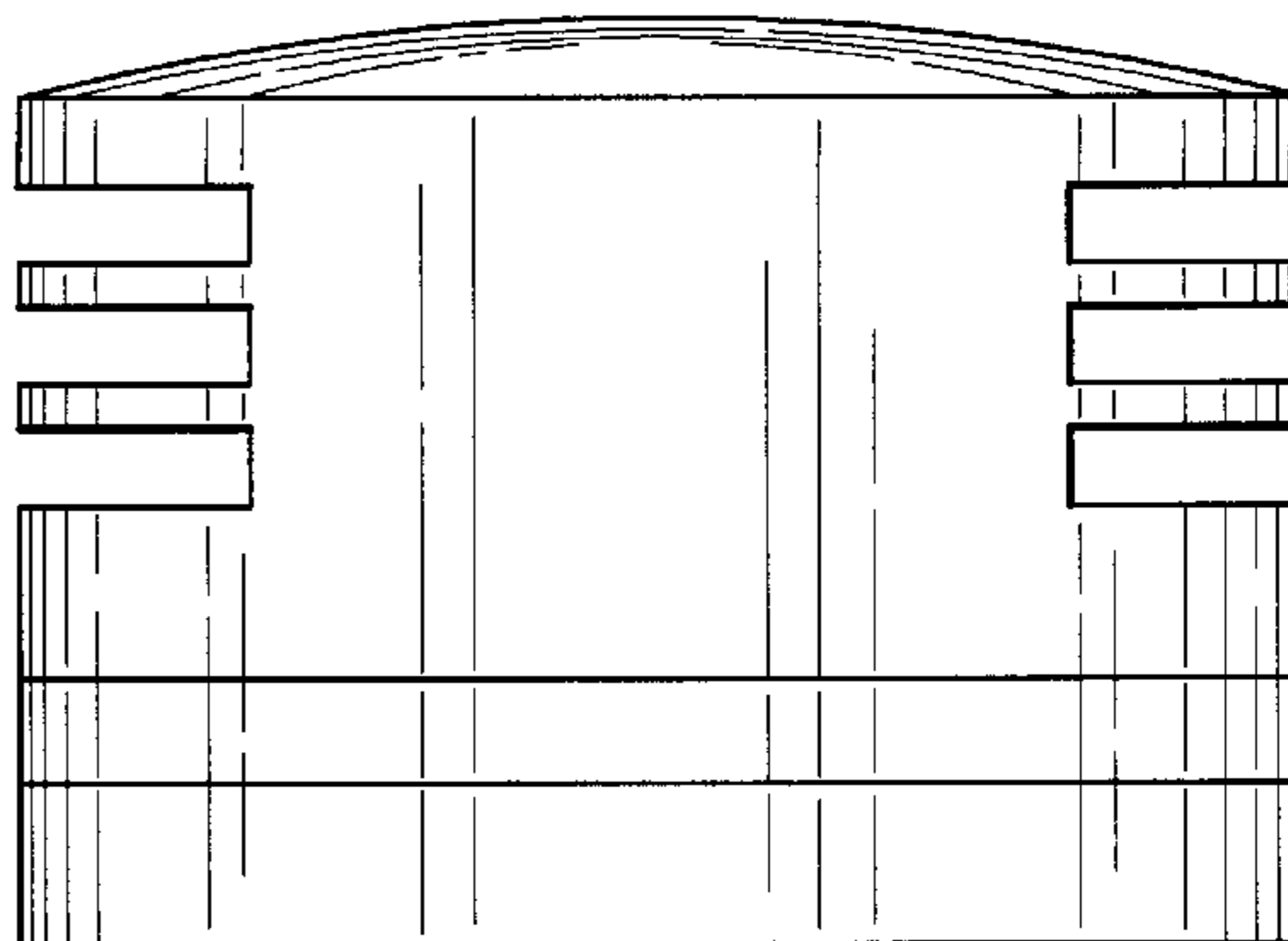
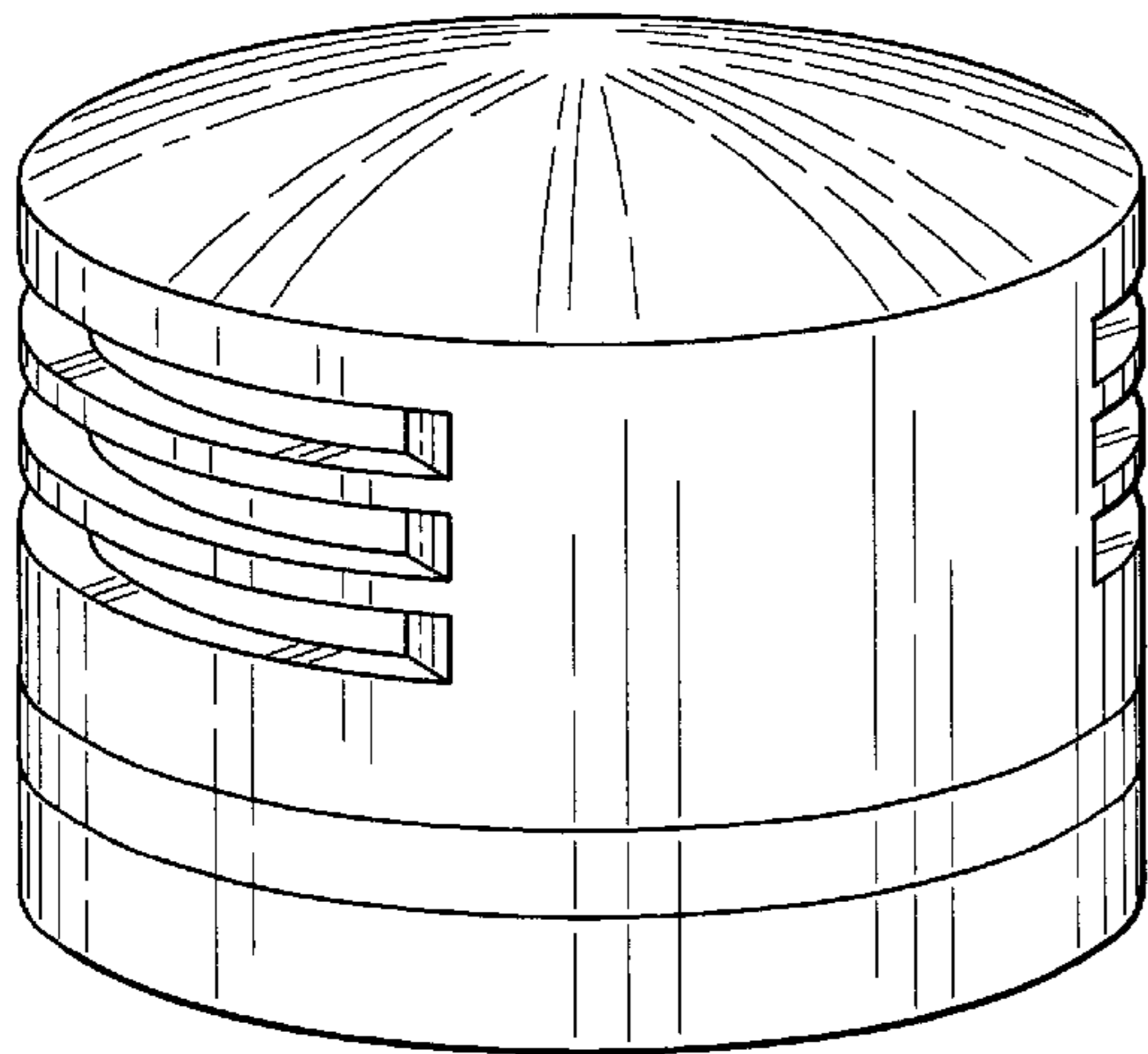


Fig. 1

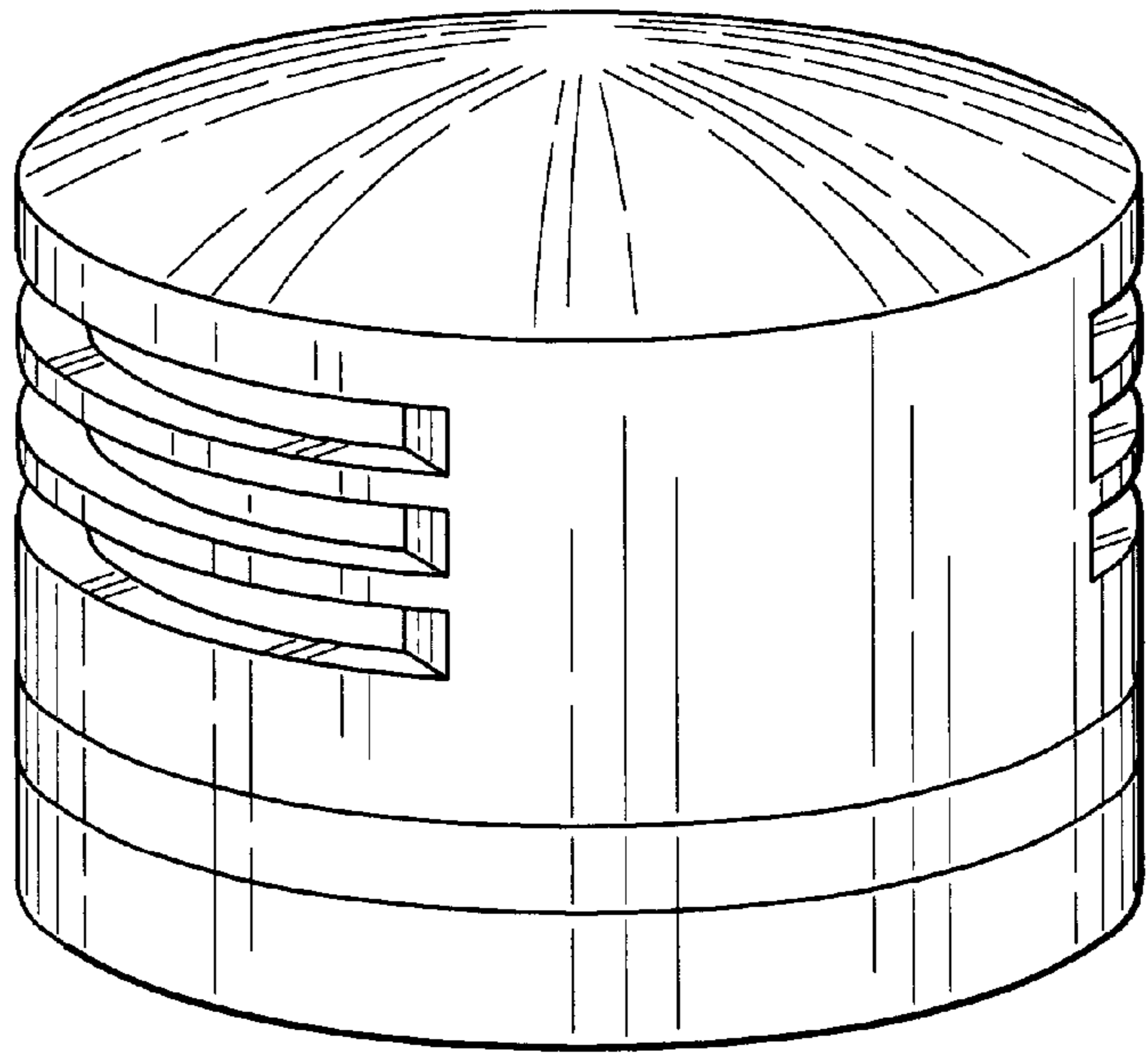


Fig. 2

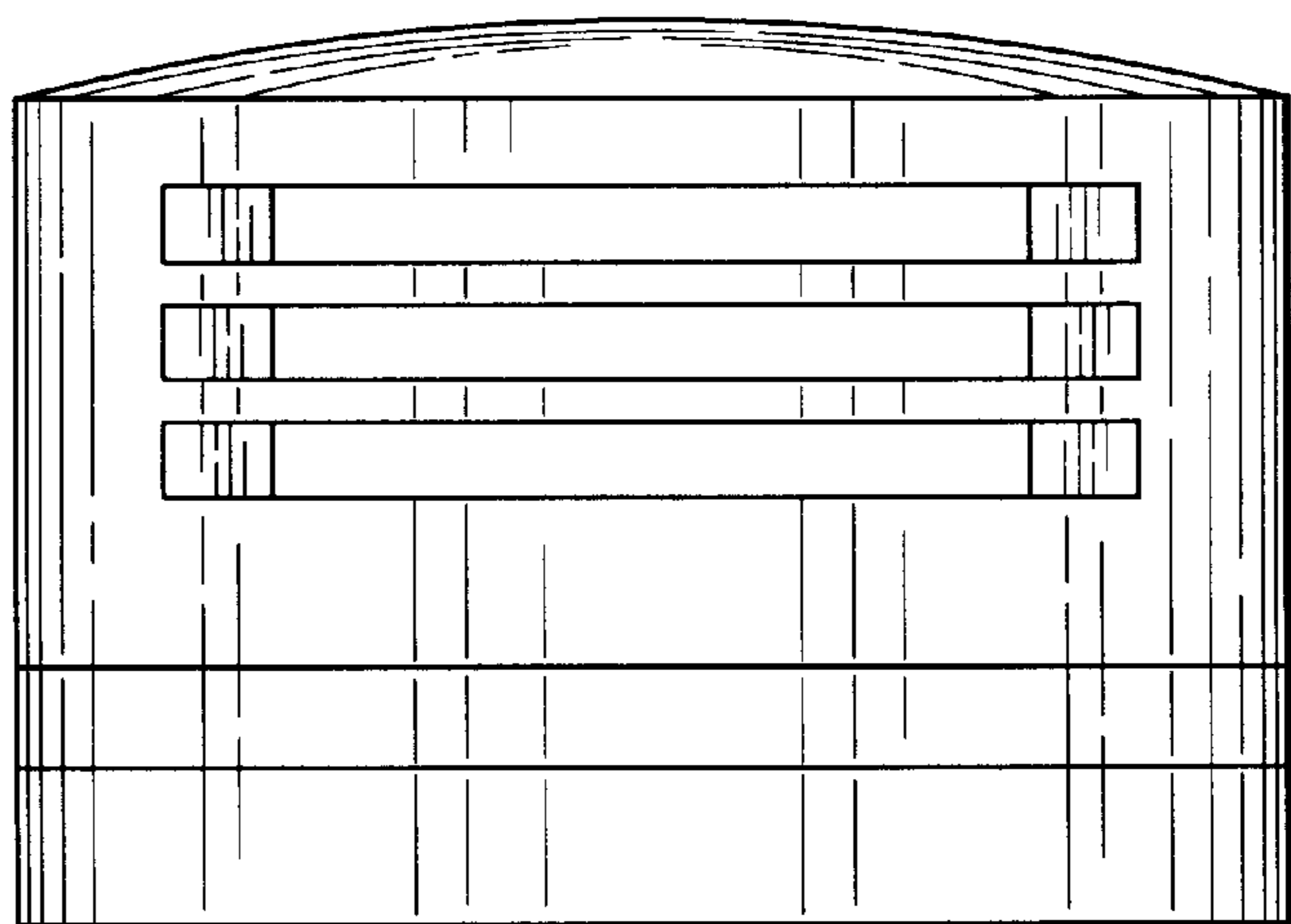


Fig. 3

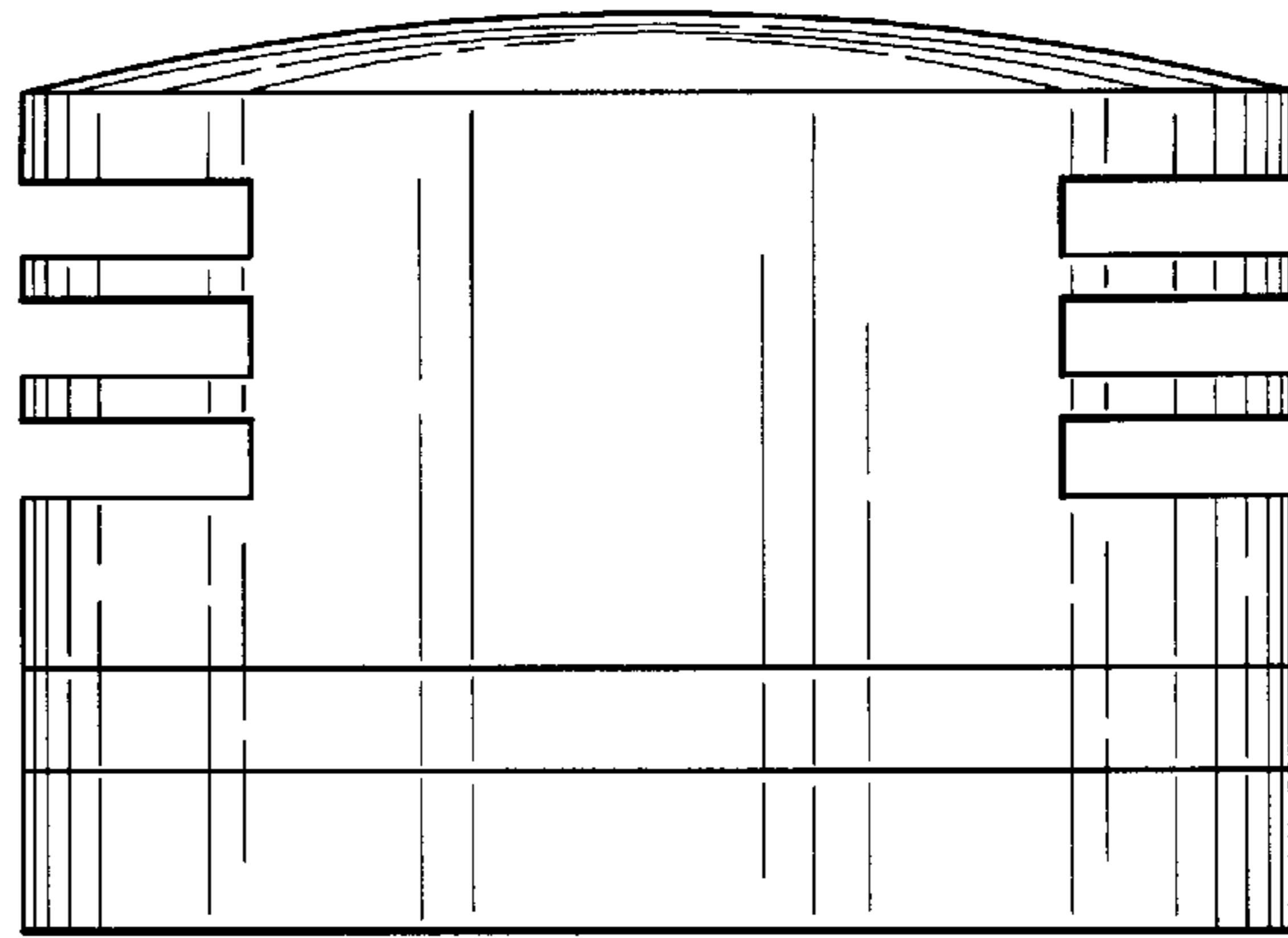


Fig. 4

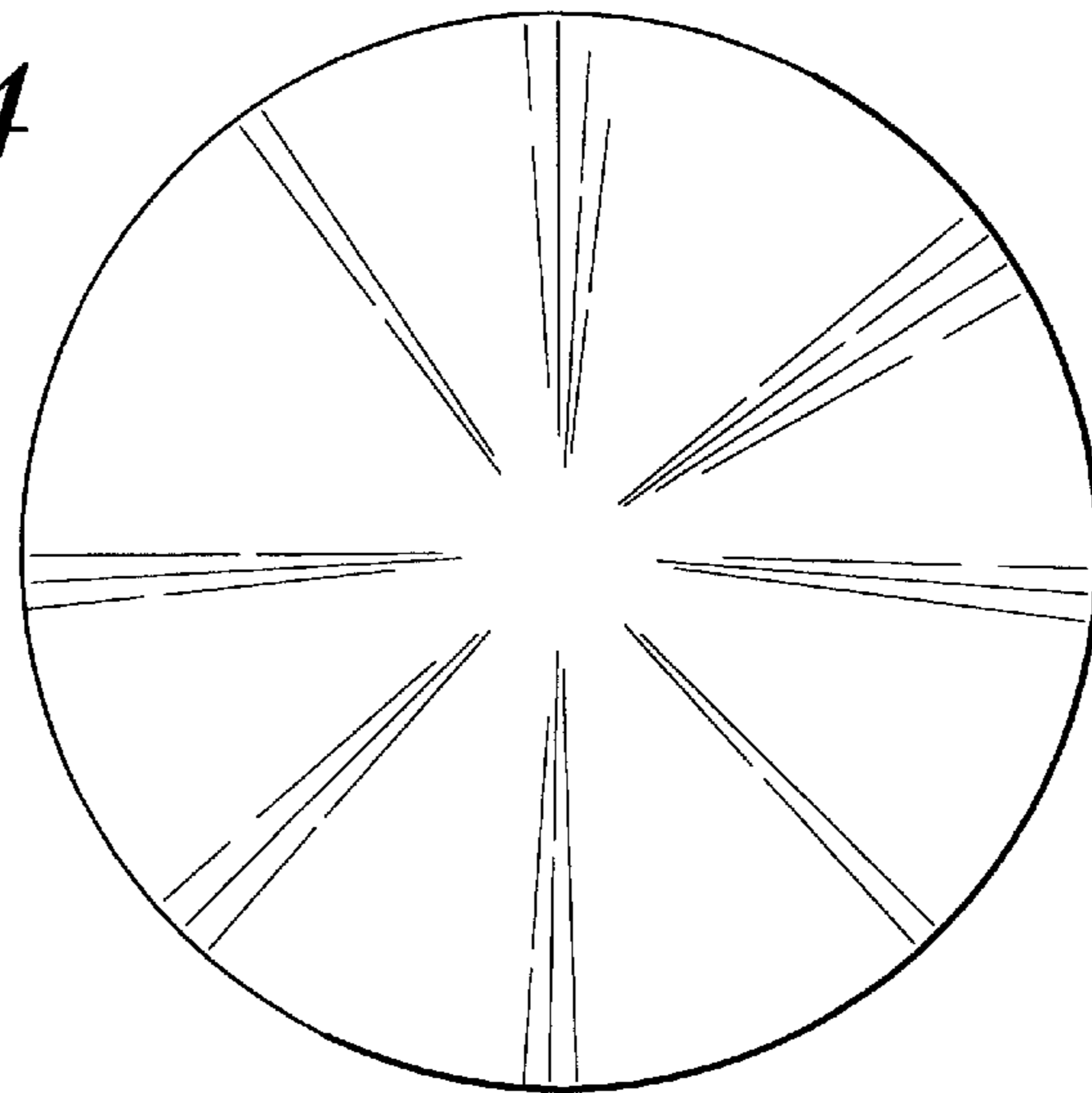


Fig. 5

