



US00D432219S

United States Patent [19]

[11] **Patent Number: Des. 432,219**

Birsel et al.

[45] **Date of Patent: ** *Oct. 17, 2000**

[54] TOILET SEAT WITH COVER

[75] Inventors: **Ayse Birsel; Noriko Hiraga; Junichi Tani; Koichi Watanabe**, all of Fukuoka-Ken, Japan

[73] Assignee: **Toto Ltd.**, Kitakyushu, Japan

[*] Notice: This patent is subject to a terminal disclaimer.

[**] Term: **14 Years**

[21] Appl. No.: **29/036,830**

[22] Filed: **Mar. 28, 1995**

[30] Foreign Application Priority Data

Sep. 28, 1994	[JP]	Japan	6-29386
Sep. 28, 1994	[JP]	Japan	6-29388

[51] **LOC (7) Cl.** **23-02**

[52] **U.S. Cl.** **D23/311**

[58] **Field of Search** D23/303-311, D23/295-301; 4/237, 234, 578.1

[56] References Cited

U.S. PATENT DOCUMENTS

D. 222,965	2/1972	Kirp et al.	D23/311
3,786,522	1/1974	Kira et al.	4/237
4,175,294	11/1979	Boyd	4/237
4,244,063	1/1981	Bayard	4/237
4,457,029	7/1984	Matthews	4/237

Primary Examiner—Doris Clark
Attorney, Agent, or Firm—Finnegan, Henderson, Farabow, Garrett & Dunner, L.L.P.

[57] CLAIM

The ornamental design for a toilet seat with cover, as shown and described.

DESCRIPTION

FIG. 1 is a top plan view of a toilet seat with cover showing our new design;
 FIG. 2 is a front elevational view thereof;
 FIG. 3 is a sectional view thereof taken along line 3—3 illustrated in FIG. 2;
 FIG. 4 is a bottom plan view thereof;
 FIG. 5 is a rear elevational view thereof;
 FIG. 6 is a right side elevational view thereof;
 FIG. 7 is a left side elevational view thereof;
 FIG. 8 is a perspective view showing the toilet seat with cover in use in combination with a toilet illustrated in broken lines and forms no part of the claimed design;
 FIG. 9 is a top plan view of a toilet seat with cover showing a second embodiment of our new design;
 FIG. 10 is a front elevational view thereof;
 FIG. 11 is a sectional view thereof taken along a line 11—11 illustrated in FIG. 10;
 FIG. 12 is a bottom plan view thereof;
 FIG. 13 is a rear elevational view thereof;
 FIG. 14 is a right side elevational view thereof;
 FIG. 15 is a left side elevational view thereof; and,
 FIG. 16 is a perspective view showing the toilet seat with cover of the second embodiment of the present invention in use in combination with a toilet illustrated in broken lines and forms no part of the claimed design.

1 Claim, 8 Drawing Sheets

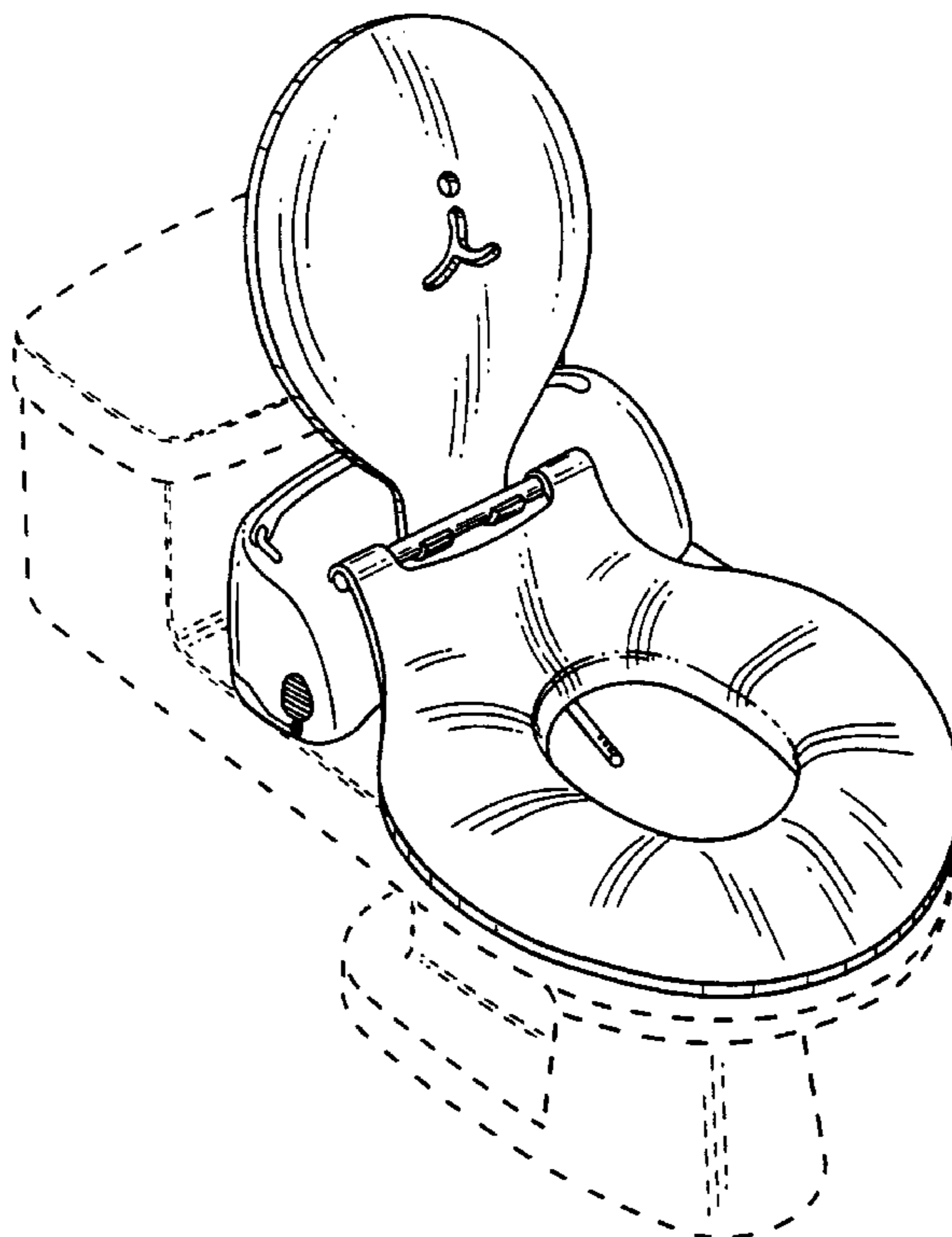


FIG. 1

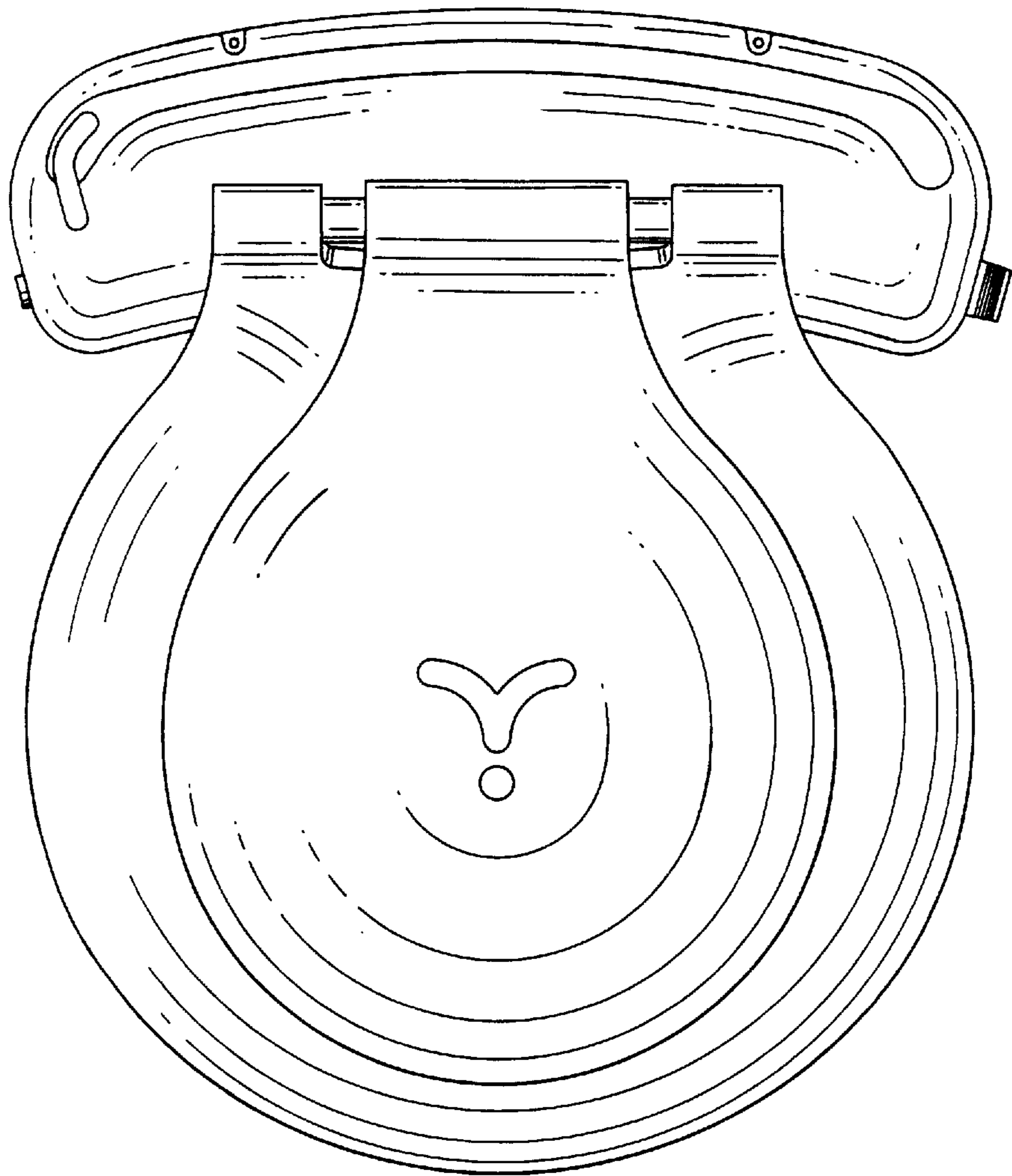


FIG. 2

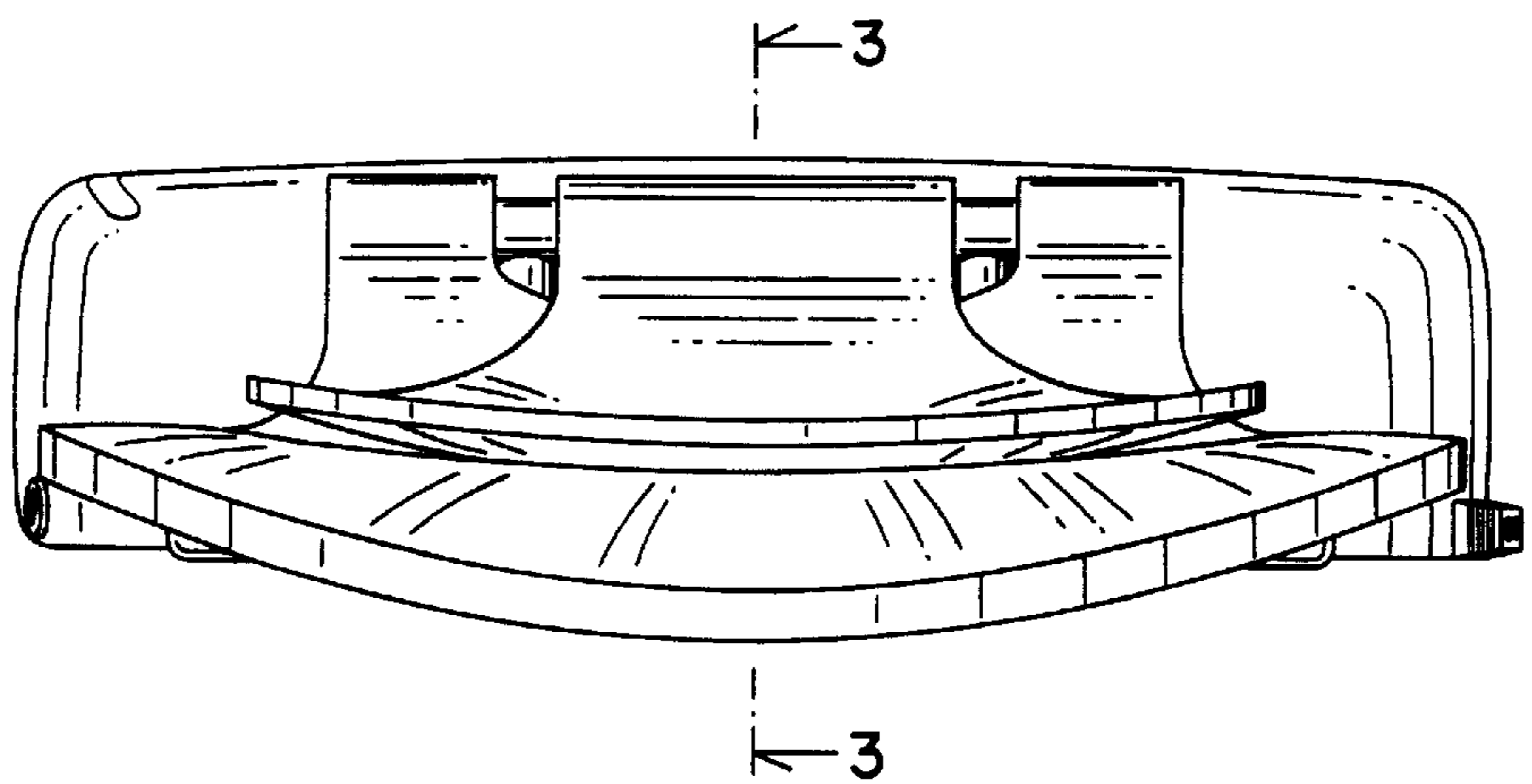


FIG. 3

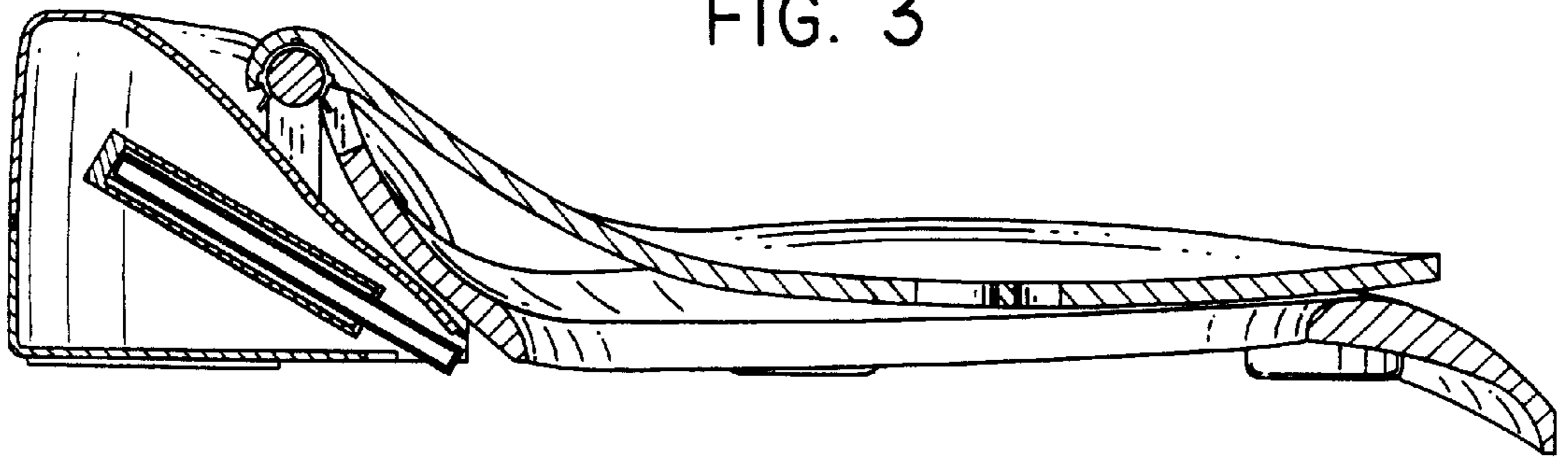


FIG. 4

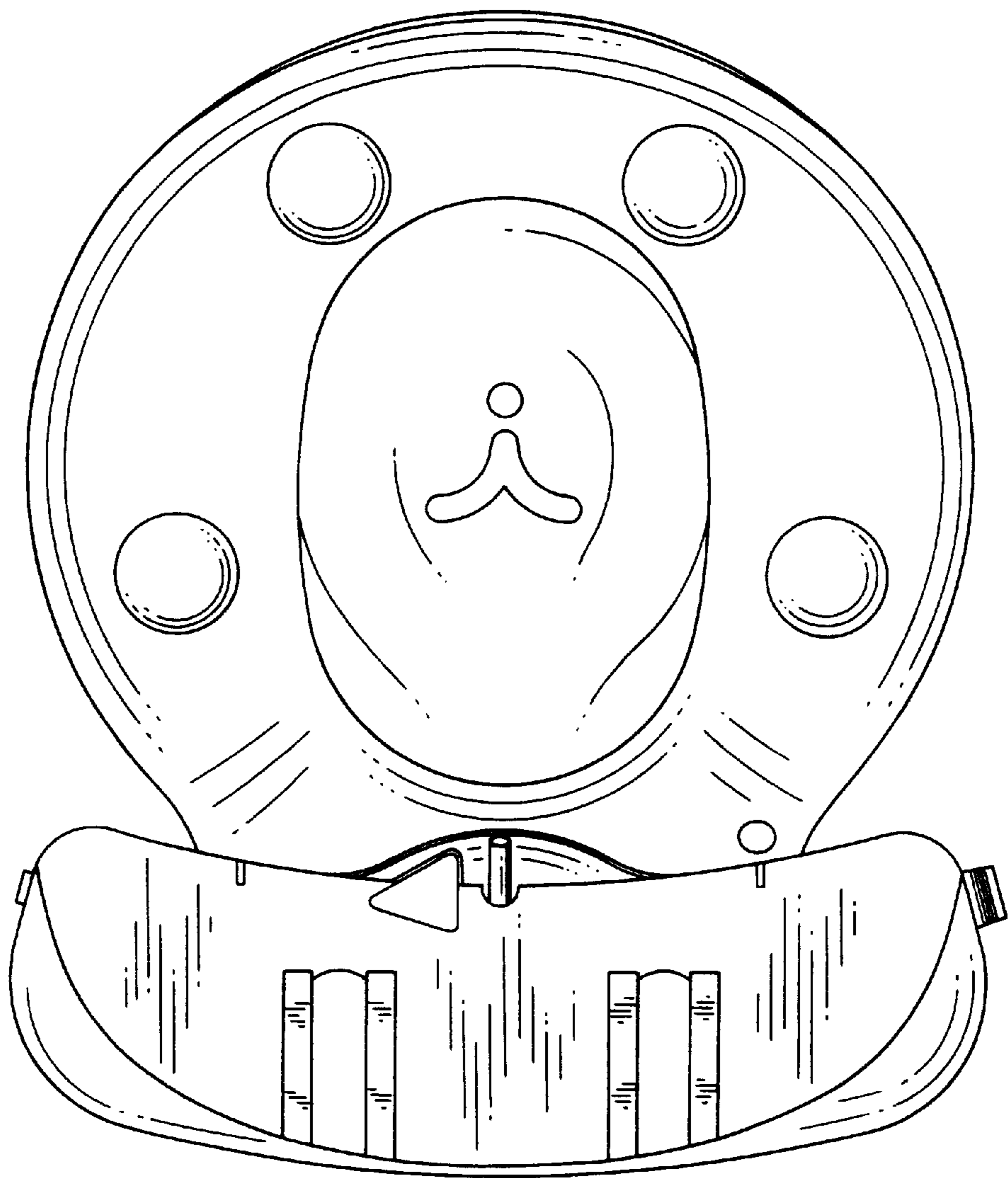


FIG. 5

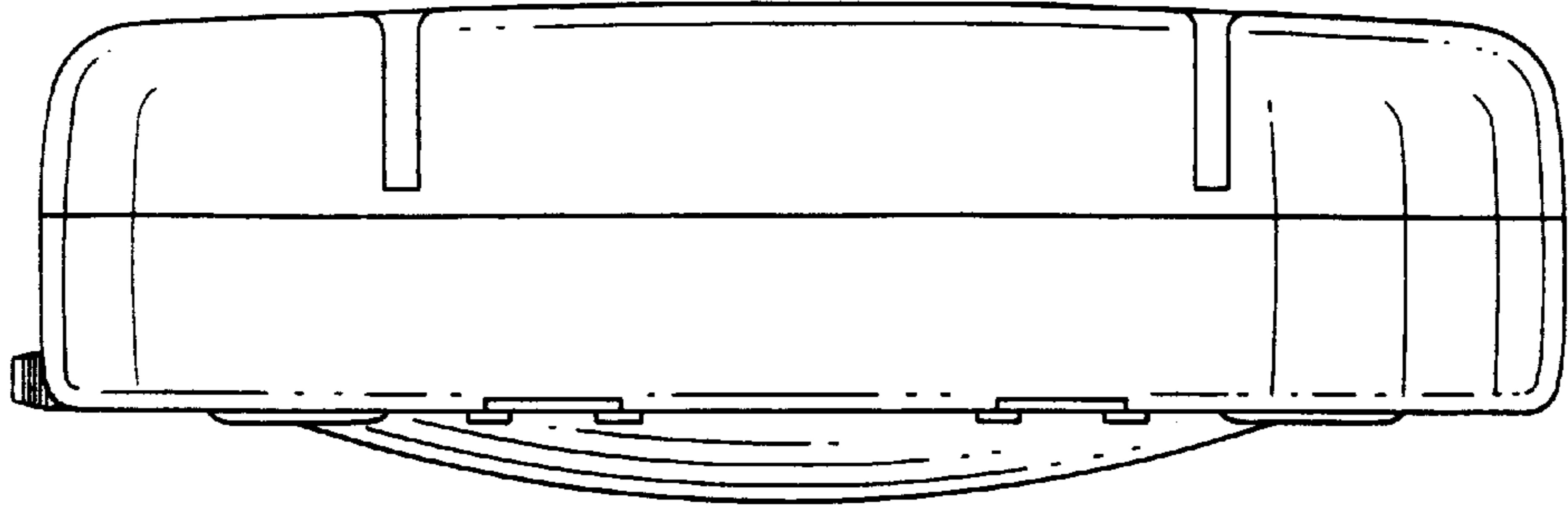


FIG. 6

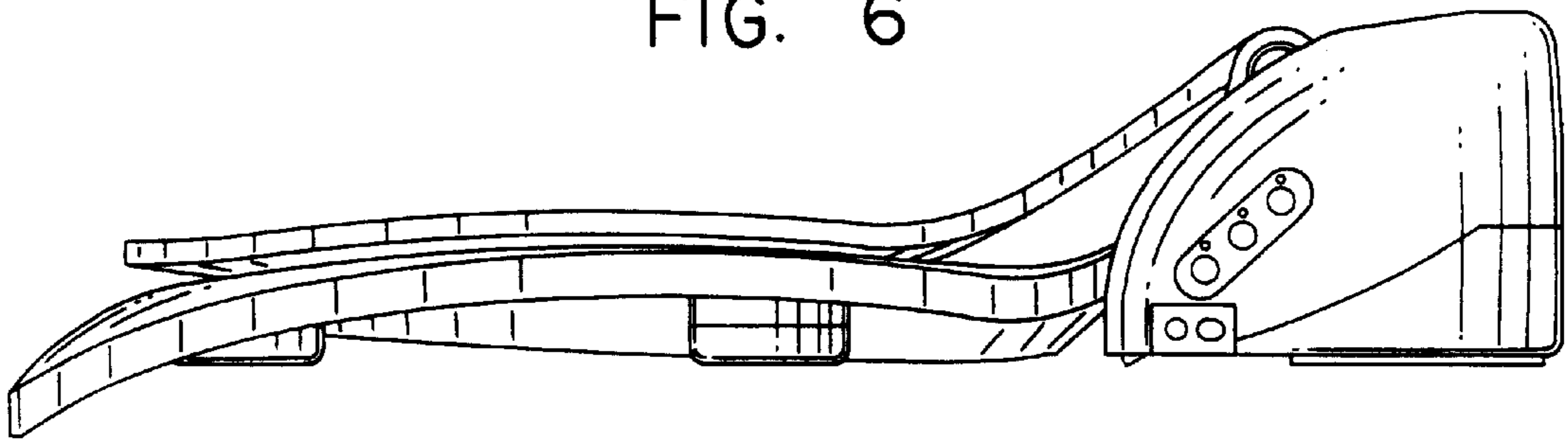


FIG. 7

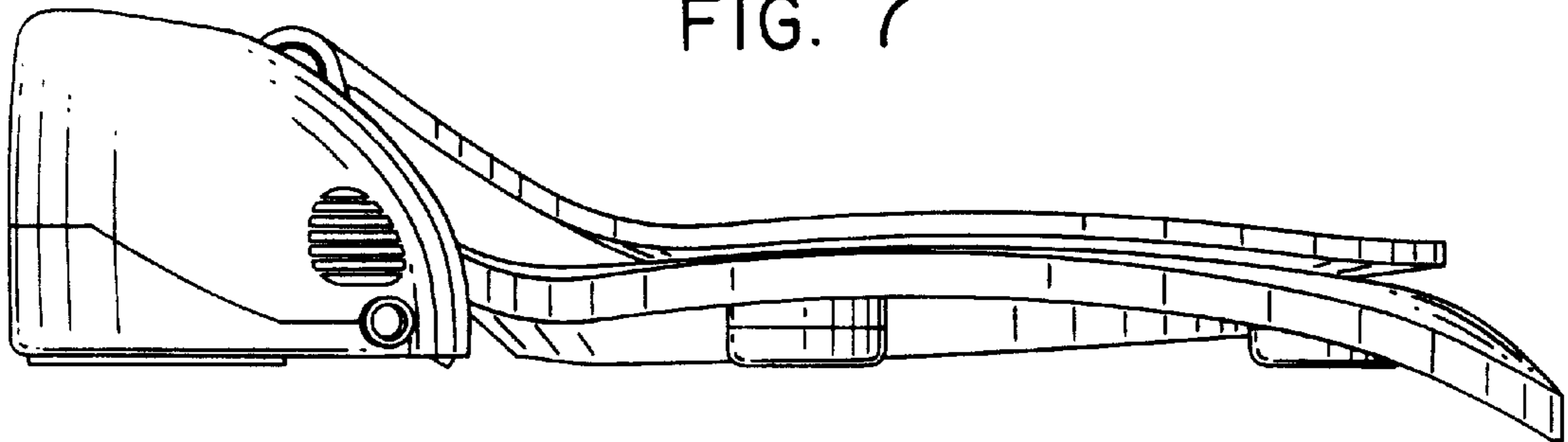


FIG. 8

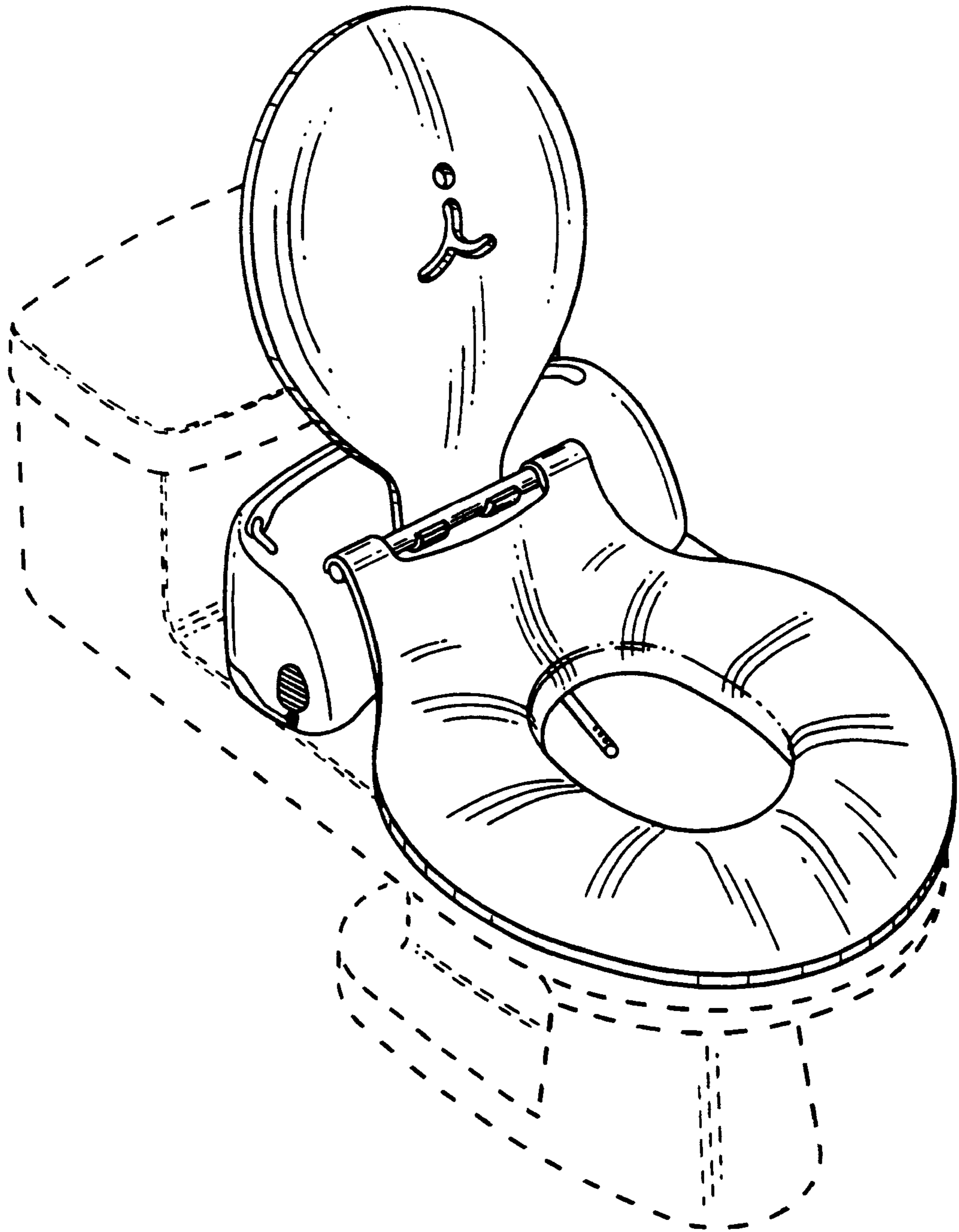


FIG. 9

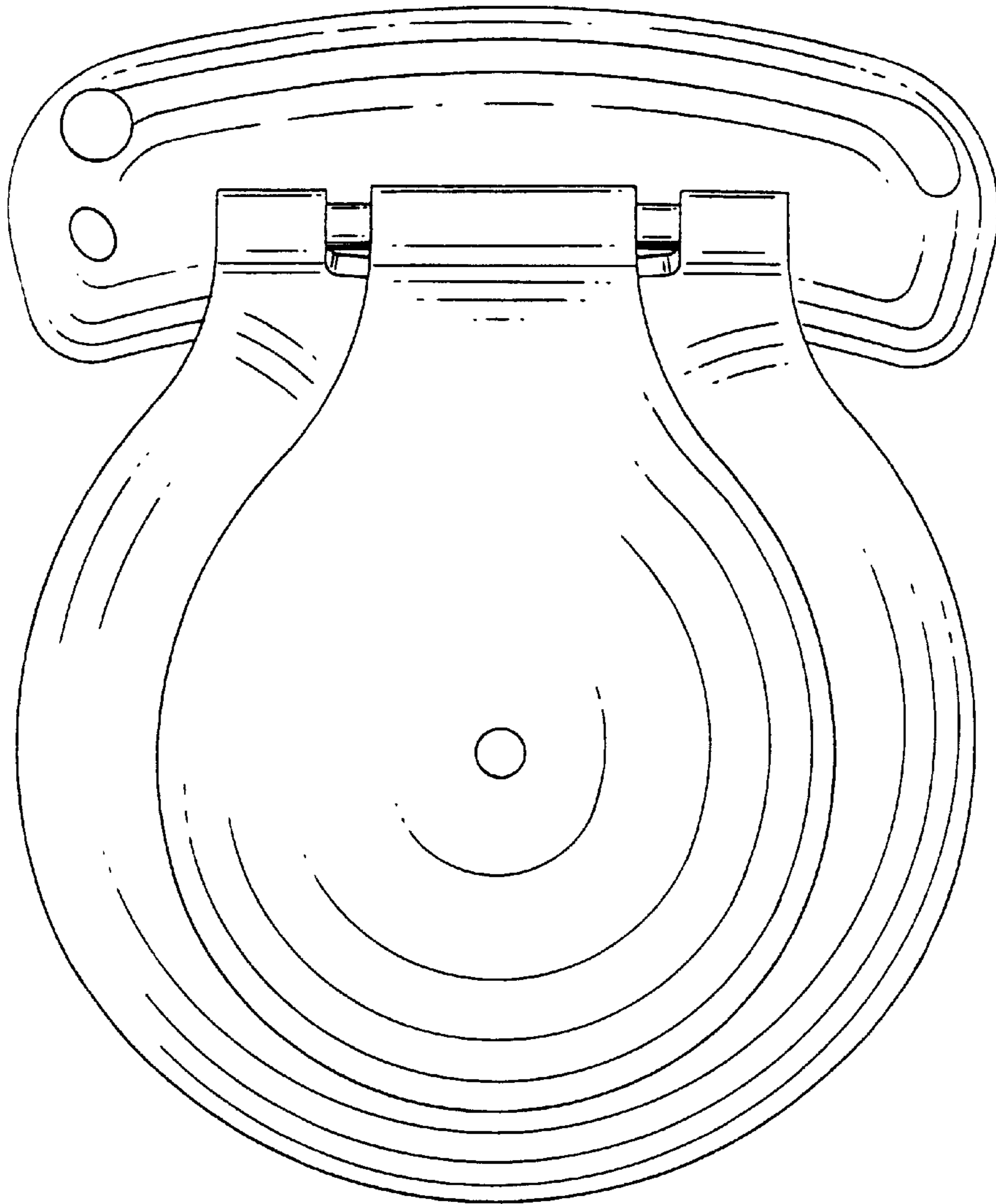
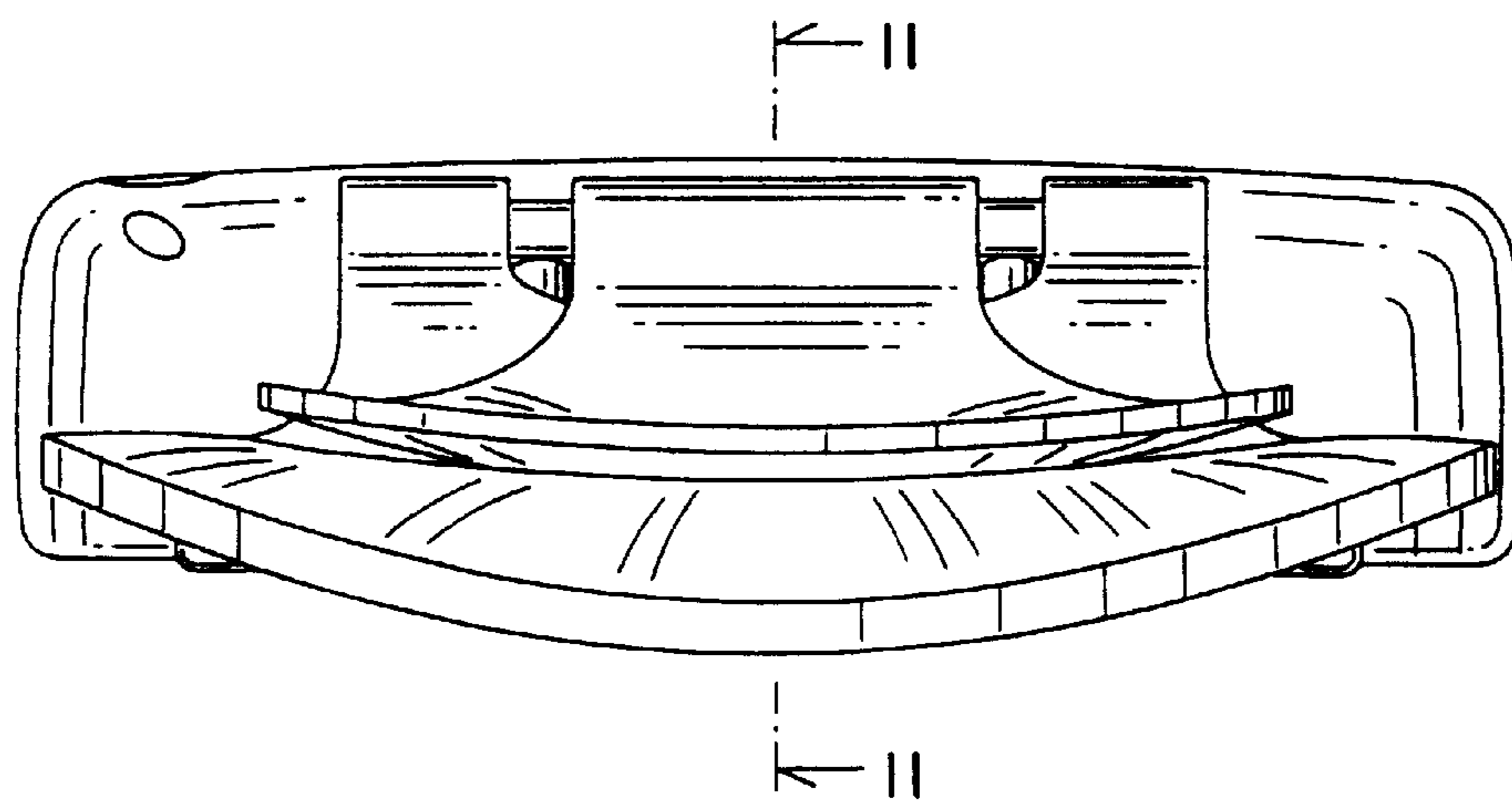


FIG. 10



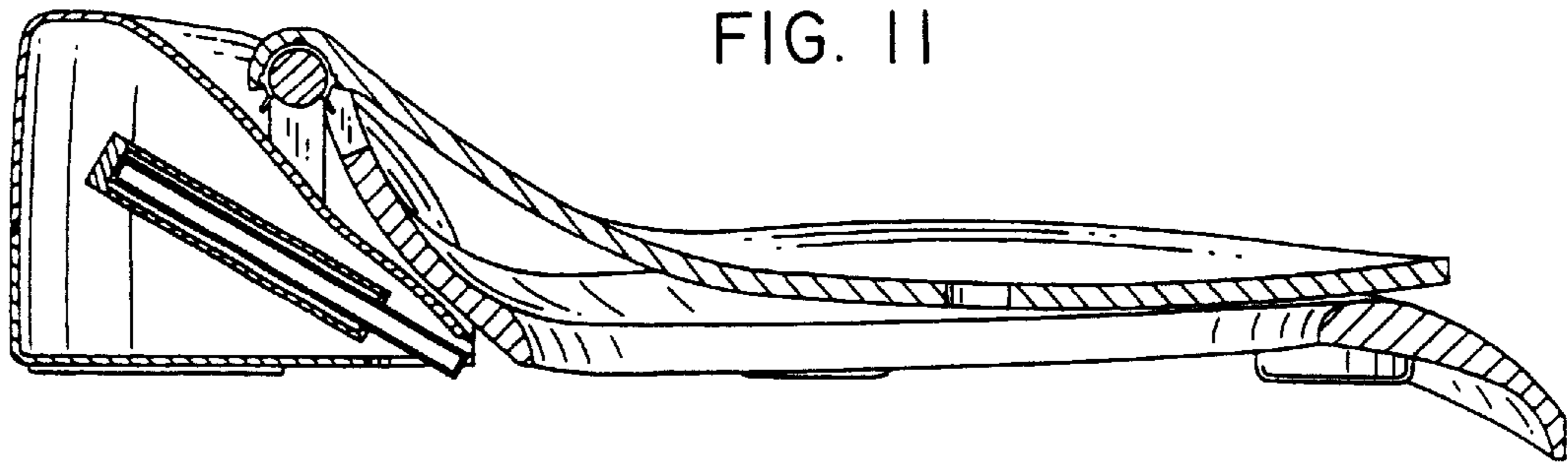


FIG. 12

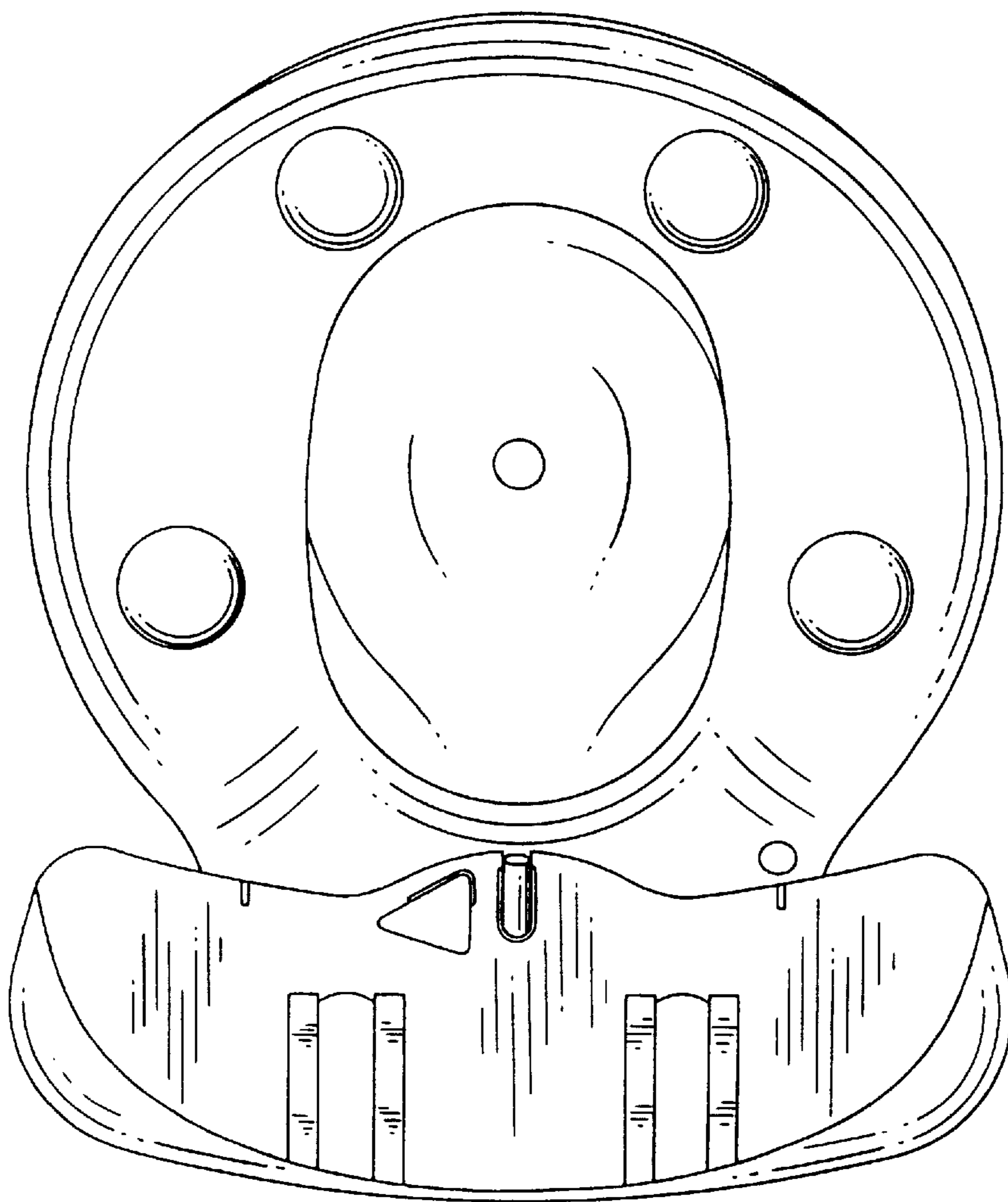


FIG. 13

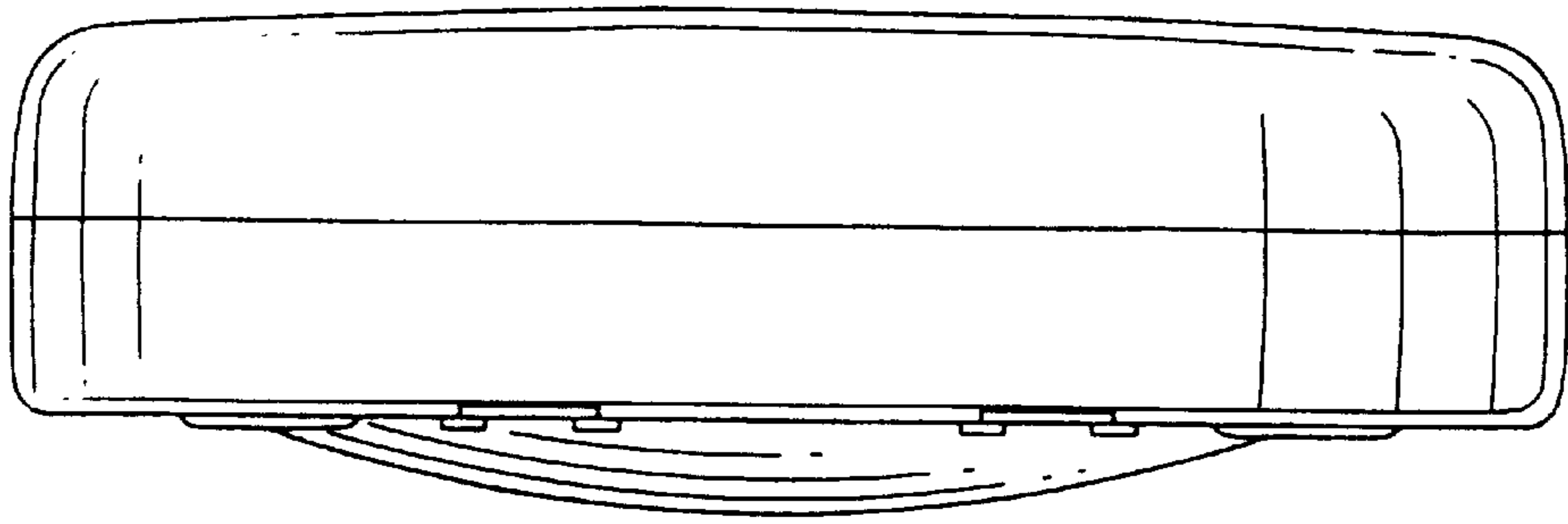


FIG. 14

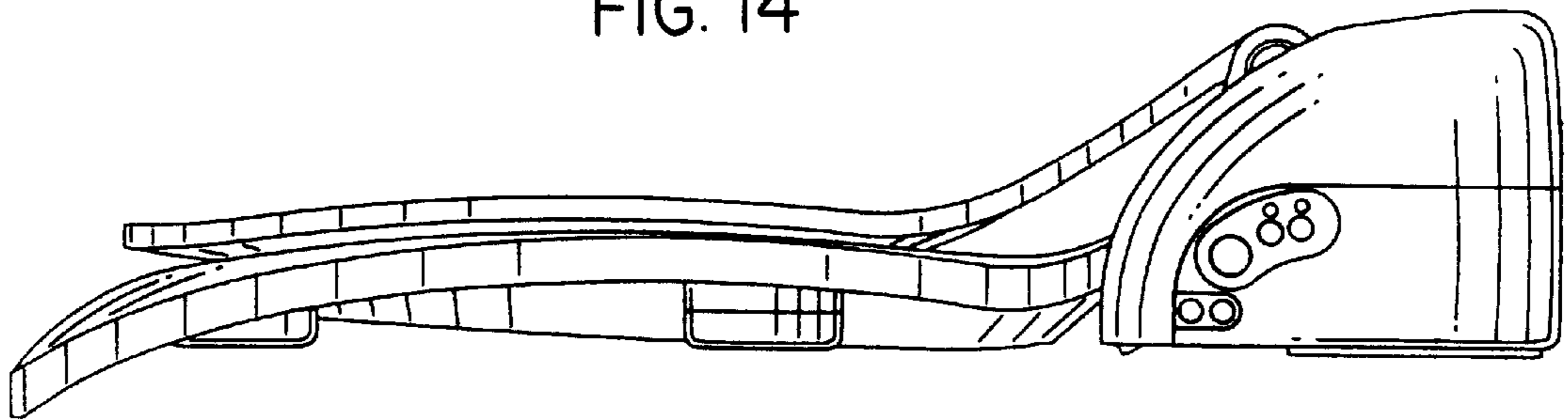


FIG. 15

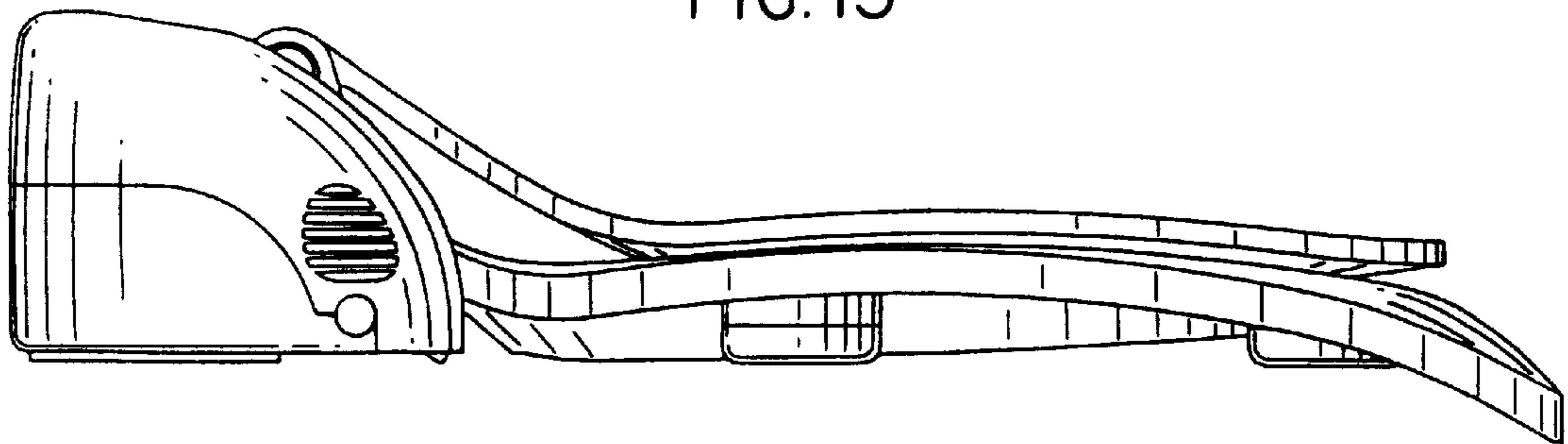


FIG. 16

