

US00D432218S

United States Patent [19]

Kawamura et al.

[11] Patent Number: Des. 432,218

[45] Date of Patent: ** Oct. 17, 2000

[54] TRAP PORTION OF A WATER CLOSET

[75] Inventors: **Sejiro Kawamura; Minoru Tani; Hisayasu Sakai**, all of Kitakyushu, Japan

[73] Assignee: **Toto Ltd.**, Fukuoka-Ken, Japan

[**] Term: **14 Years**

[21] Appl. No.: **29/096,363**

[22] Filed: **Nov. 12, 1998**

D. 345,597	3/1994	Kohler, Jr. et al.	D23/301
D. 346,854	5/1994	Reid	D23/301
D. 352,996	11/1994	Sim	D23/301
D. 353,450	12/1994	Anderson et al.	D23/301
D. 373,818	9/1996	Sanchez et al.	D23/301
2,558,680	6/1951	Groff	4/14

Primary Examiner—Eric Watterson
Attorney, Agent, or Firm—Finnegan, Henderson, Farabow, Garrett & Dunner, L.L.P.

Related U.S. Application Data

[62] Division of application No. 29/065,235, Jan. 27, 1997, Pat. No. Des. 406,329, which is a division of application No. 29/041,751, Jul. 24, 1995, Pat. No. Des. 379,496.

[51] **LOC (7) Cl.** **23-02**

[52] **U.S. Cl.** **D23/309**

[58] **Field of Search** D23/295, 299–301, D23/303–311; 4/316, 324, 325, 328, 348, 350, 351, 366, 367, 415, 431, 432, 433, 213, 216

References Cited

U.S. PATENT DOCUMENTS

D. 185,643	7/1959	Magid	4/5
D. 268,780	4/1983	Doman et al.	D23/65
D. 271,326	11/1983	Doman et al.	D23/65
D. 275,514	9/1984	Enthoven	D23/65
D. 275,598	9/1984	Stairs, Jr.	D23/65
D. 310,407	9/1990	Stairs, Jr.	D23/301

[57] CLAIM

The ornamental design for a trap portion of a water closet, as shown and described.

DESCRIPTION

FIG. 1 is a right side perspective view of a first embodiment of a trap portion of a water closet embodying our design; FIG. 2 is a left side perspective view of the first embodiment; FIG. 3 is a left elevational view of the first embodiment; FIG. 4 is a right elevational view of the first embodiment; FIG. 5 is a rear elevational view of the first embodiment; FIG. 6 is a right side perspective view of a second embodiment thereof; FIG. 7 is a left side perspective view of the second embodiment; FIG. 8 is a left elevational view of the second embodiment; FIG. 9 is a right elevational view of the second embodiment; and, FIG. 10 is a rear elevational view of the second embodiment. The broken lines shown in FIGS. 1–10 are for purpose of showing environmental structure only and form no part of the claimed design.

1 Claim, 6 Drawing Sheets

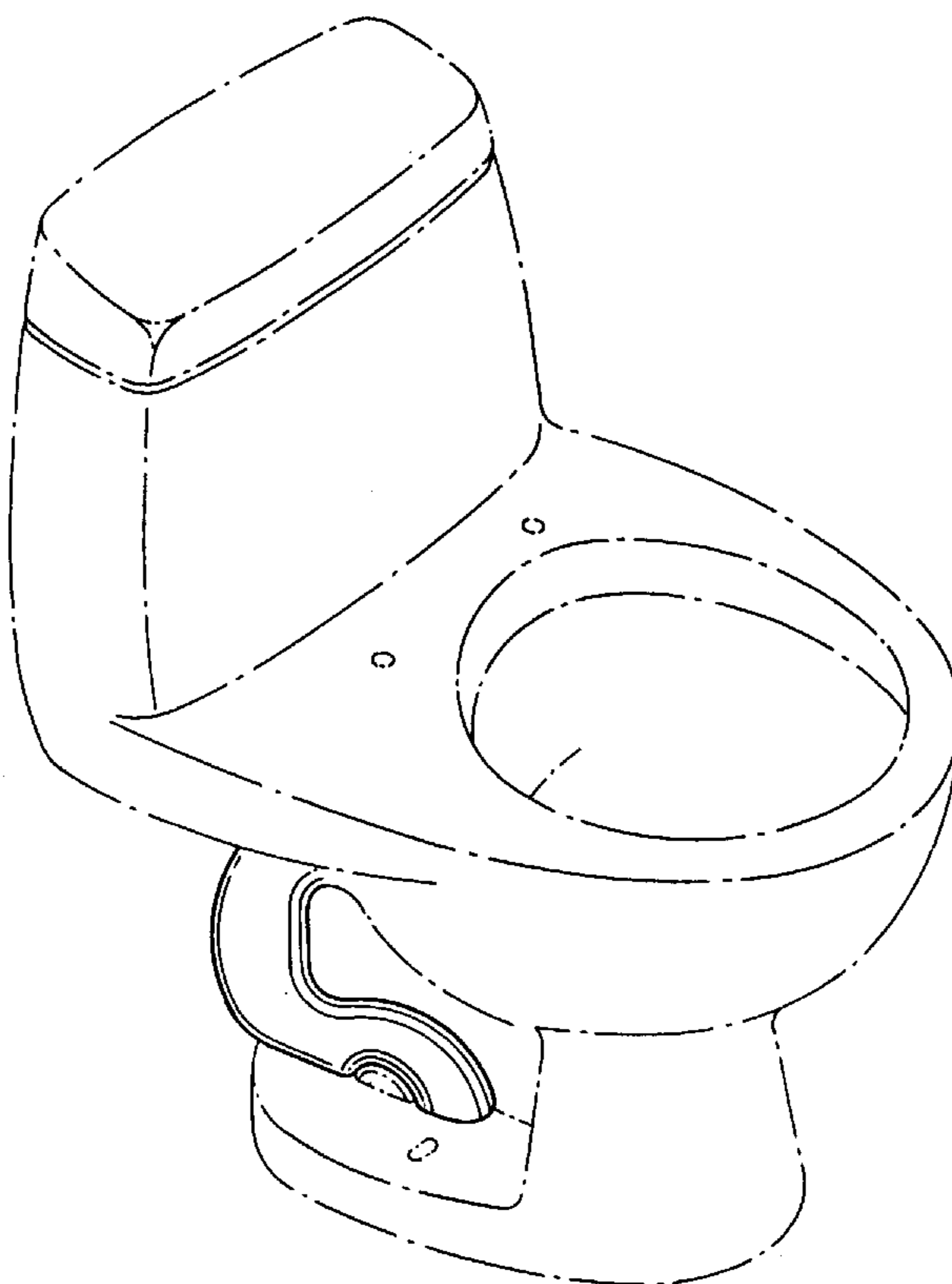


FIG. 1

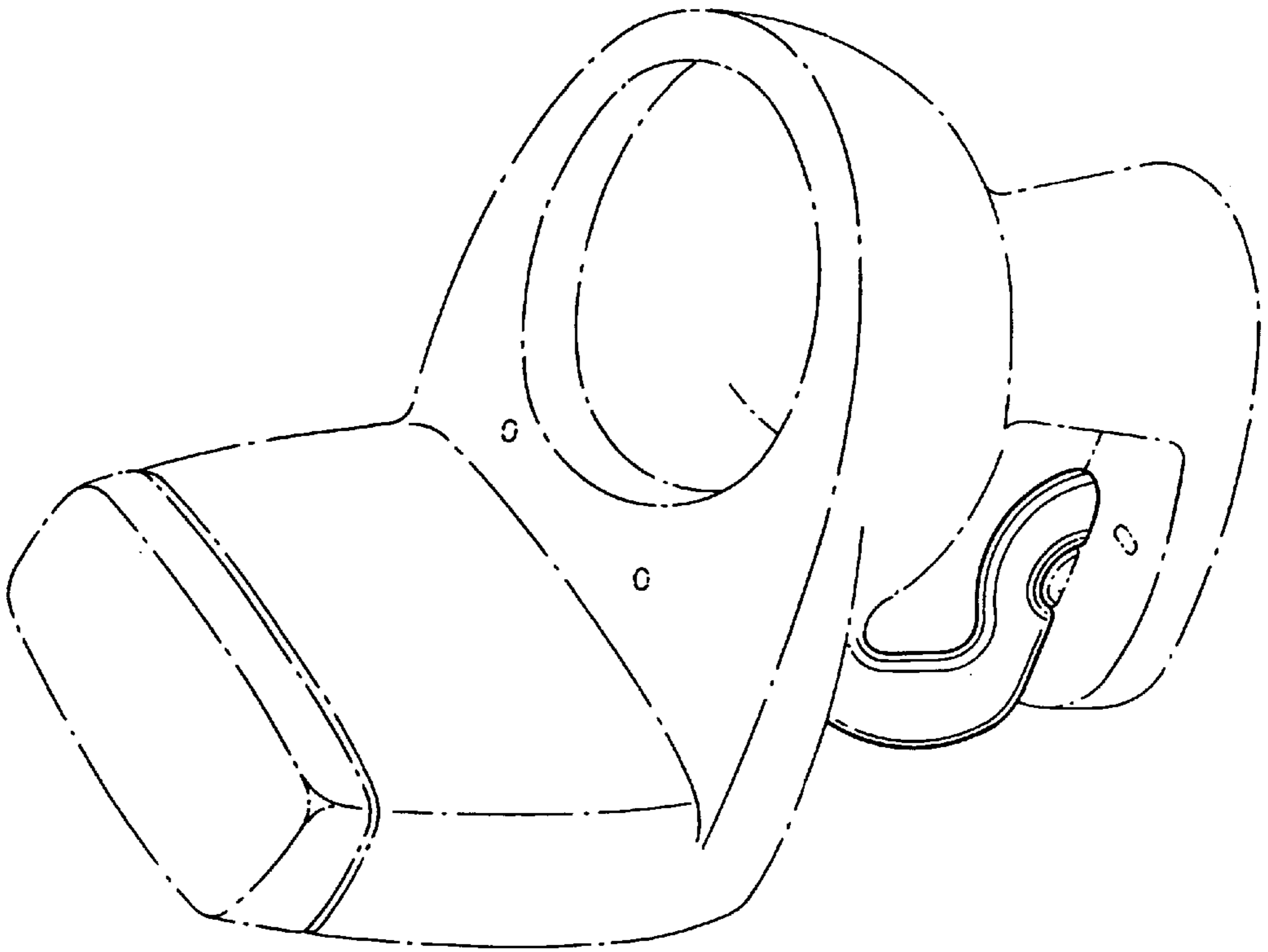


FIG. 2

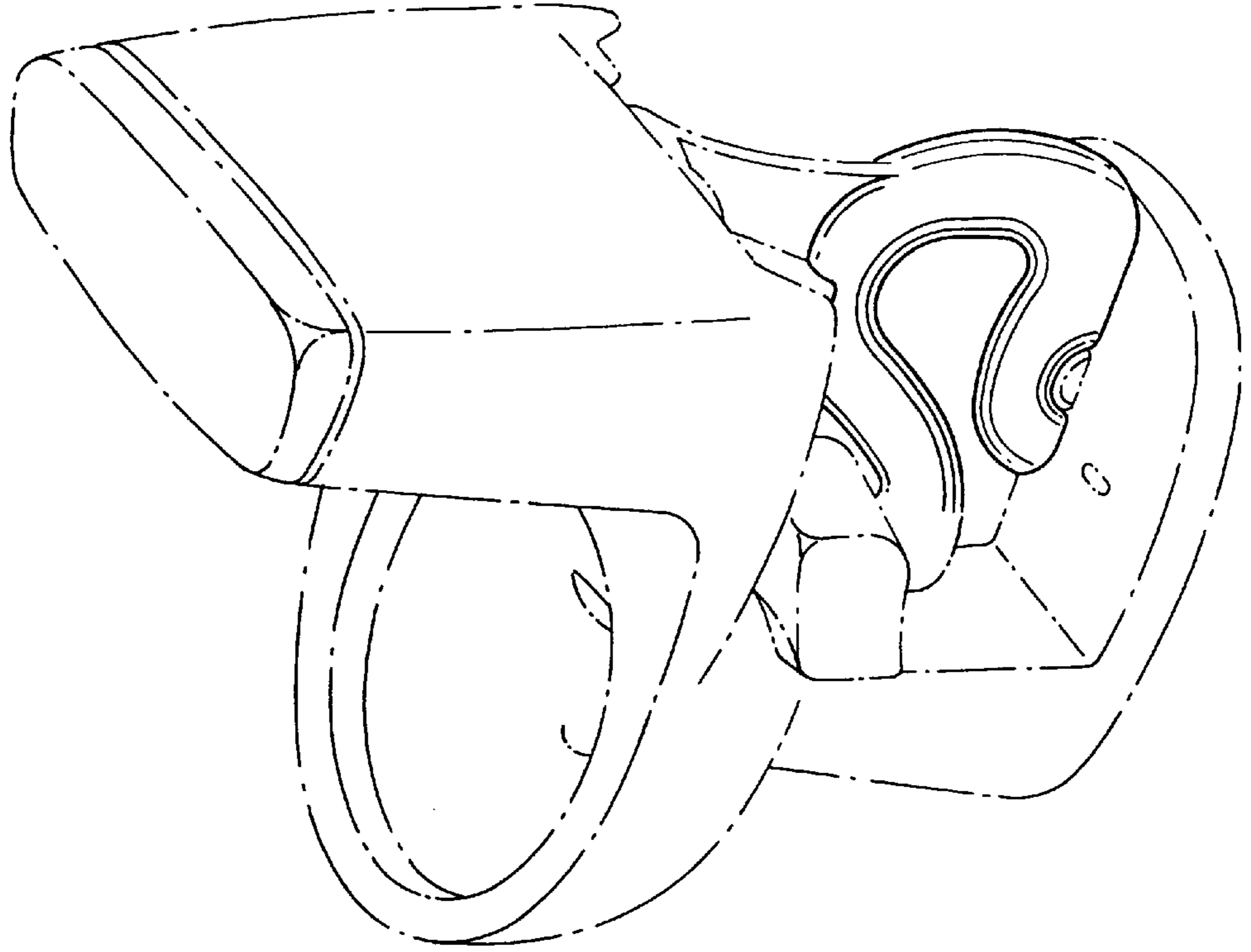


FIG. 3

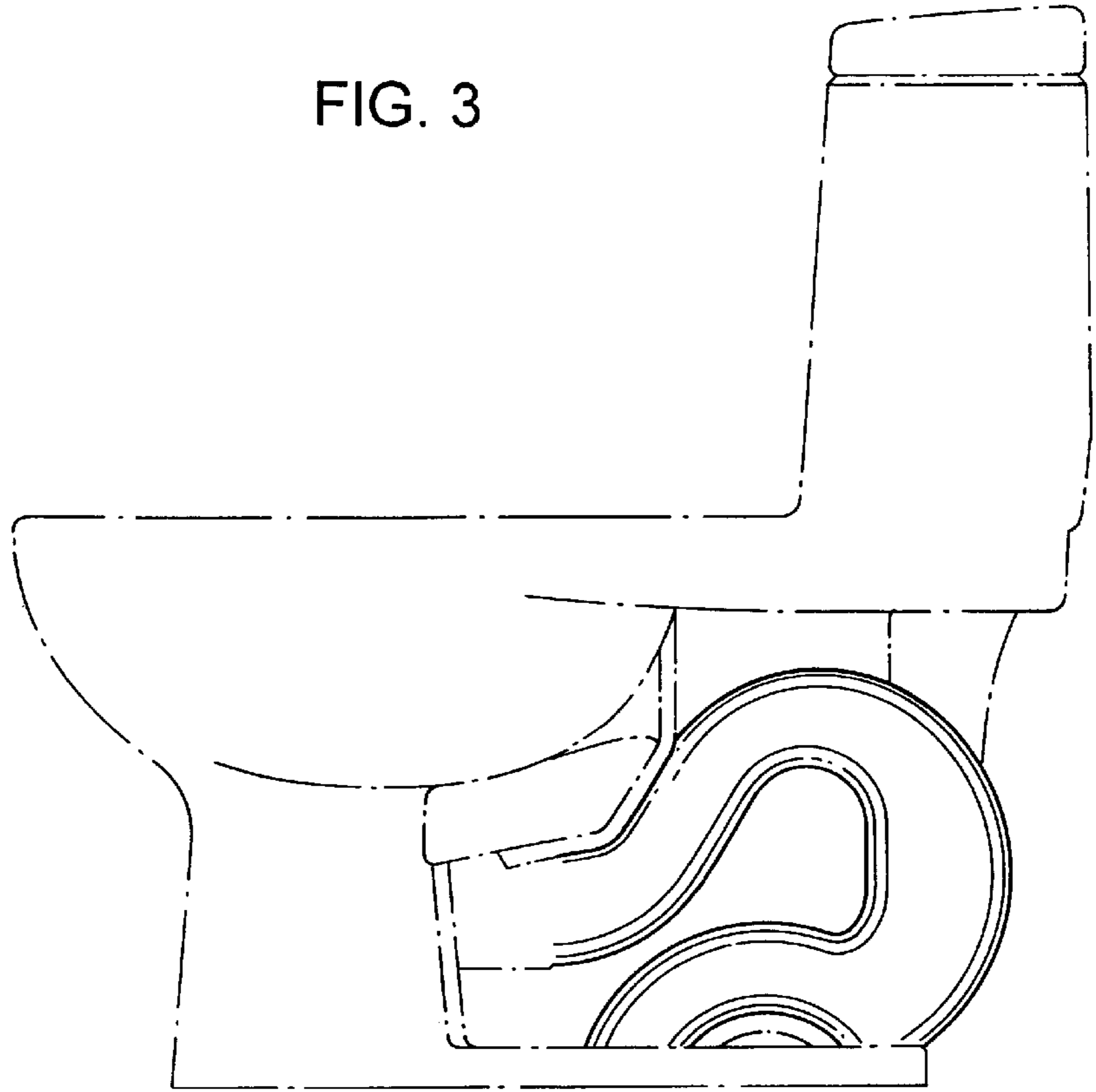


FIG. 4

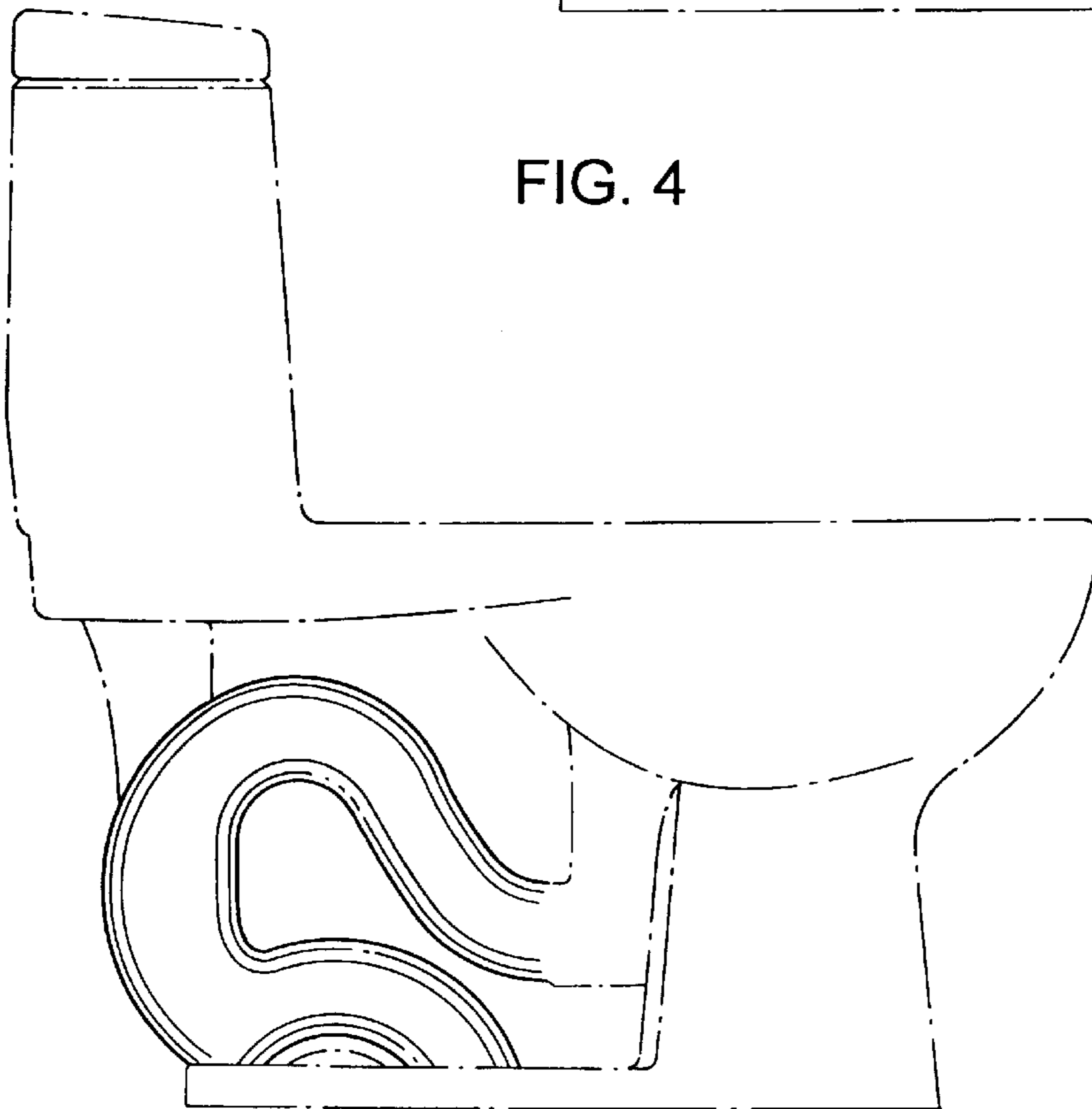


FIG. 5

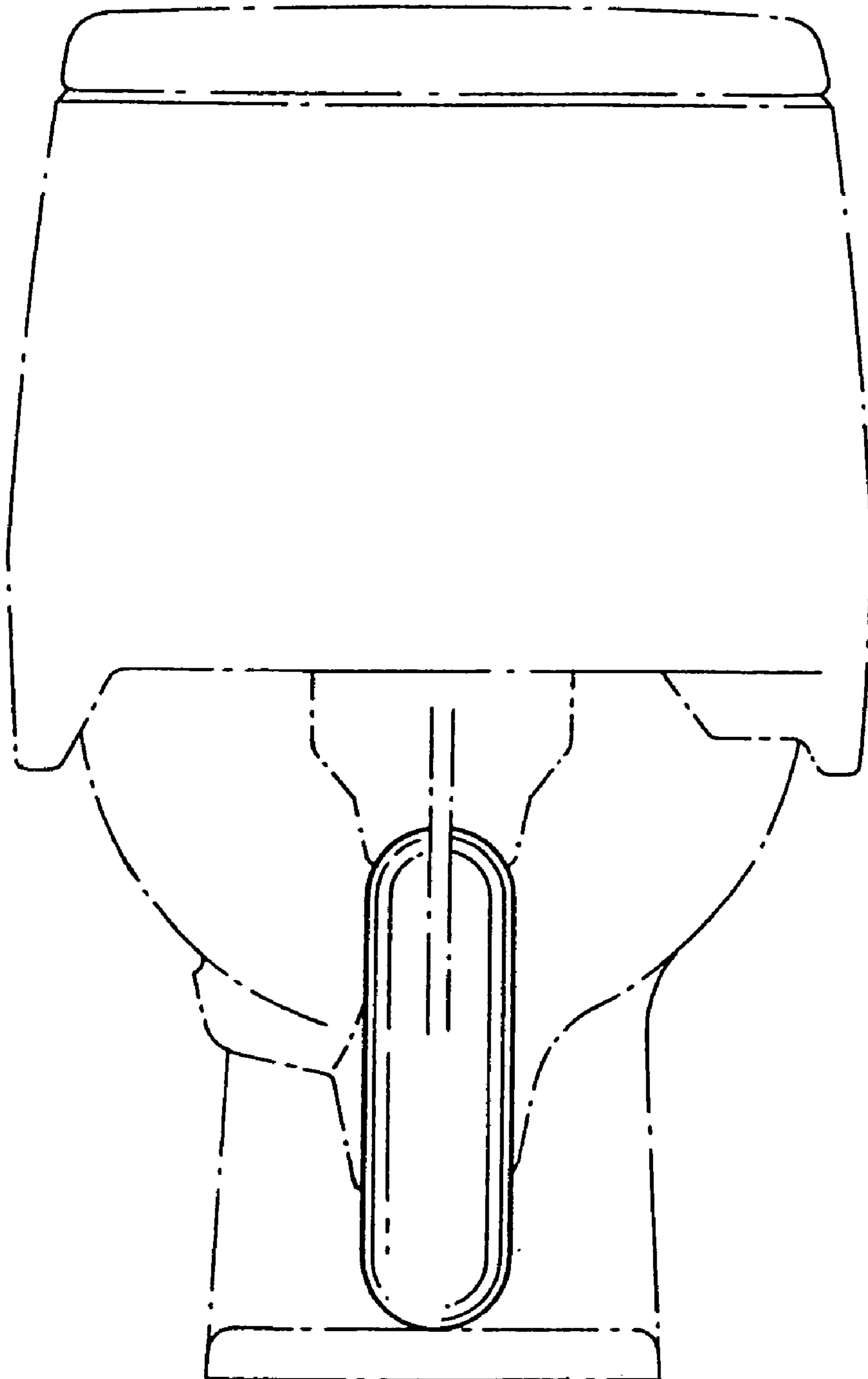


FIG. 7

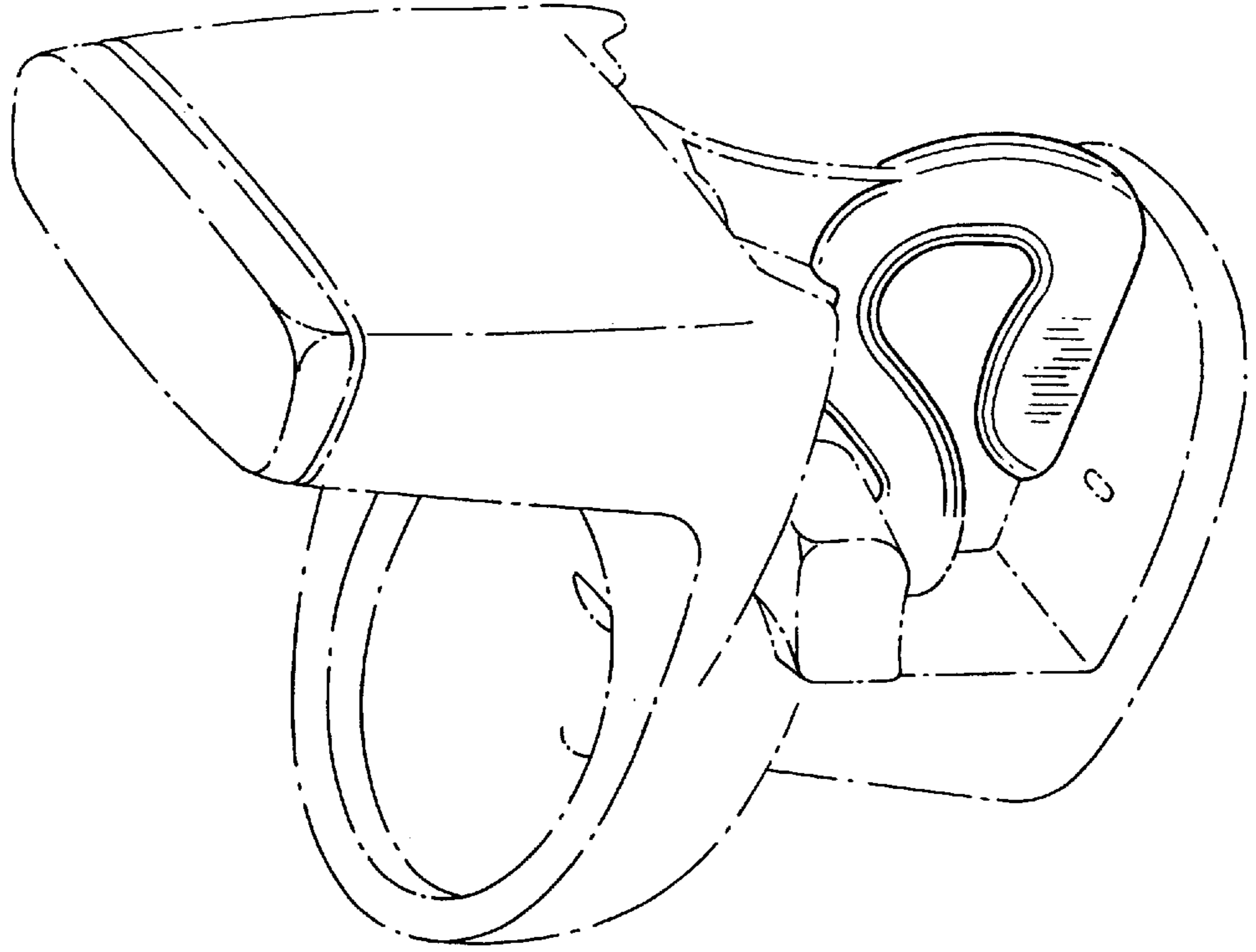


FIG. 6

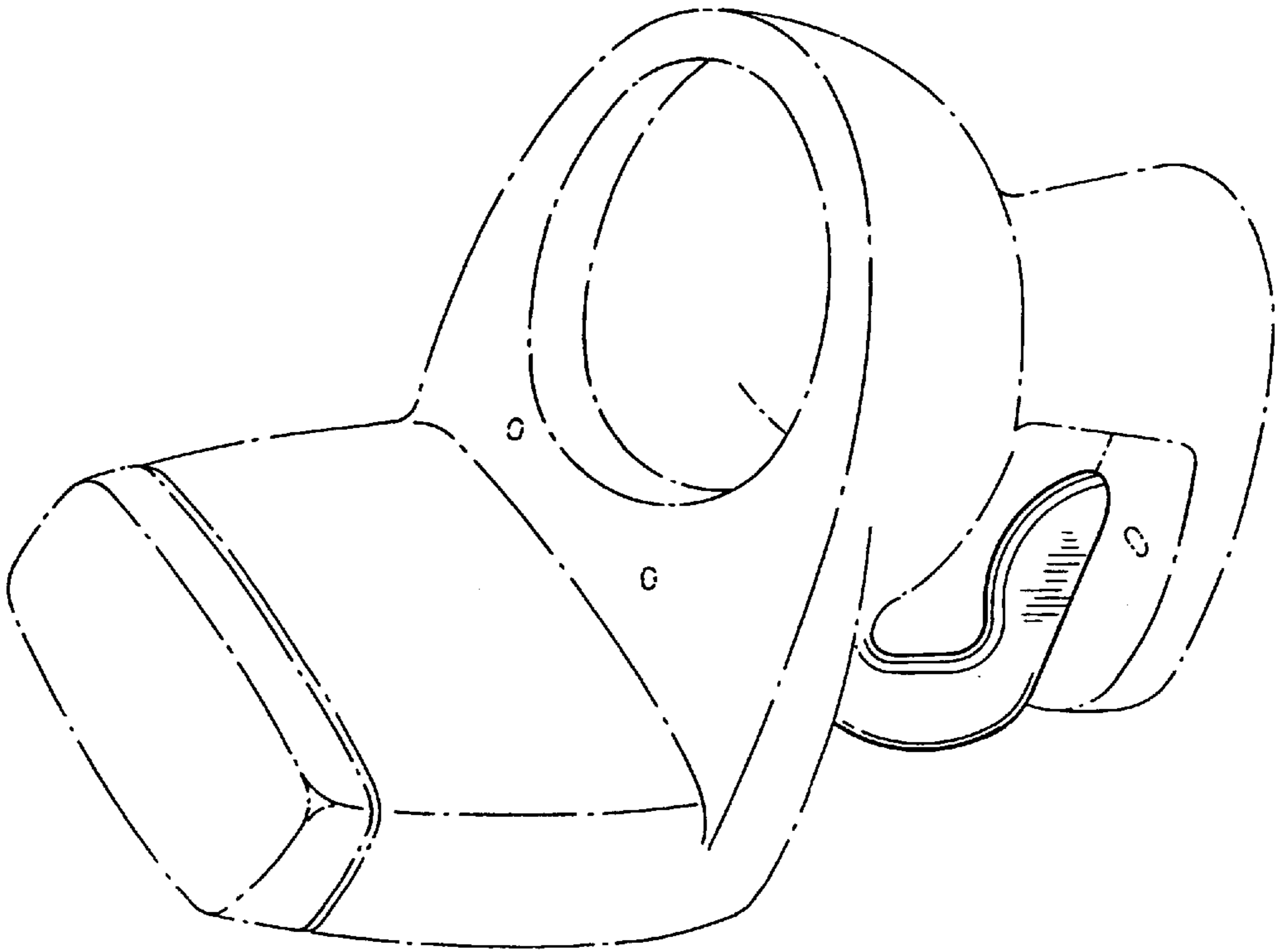


FIG. 8

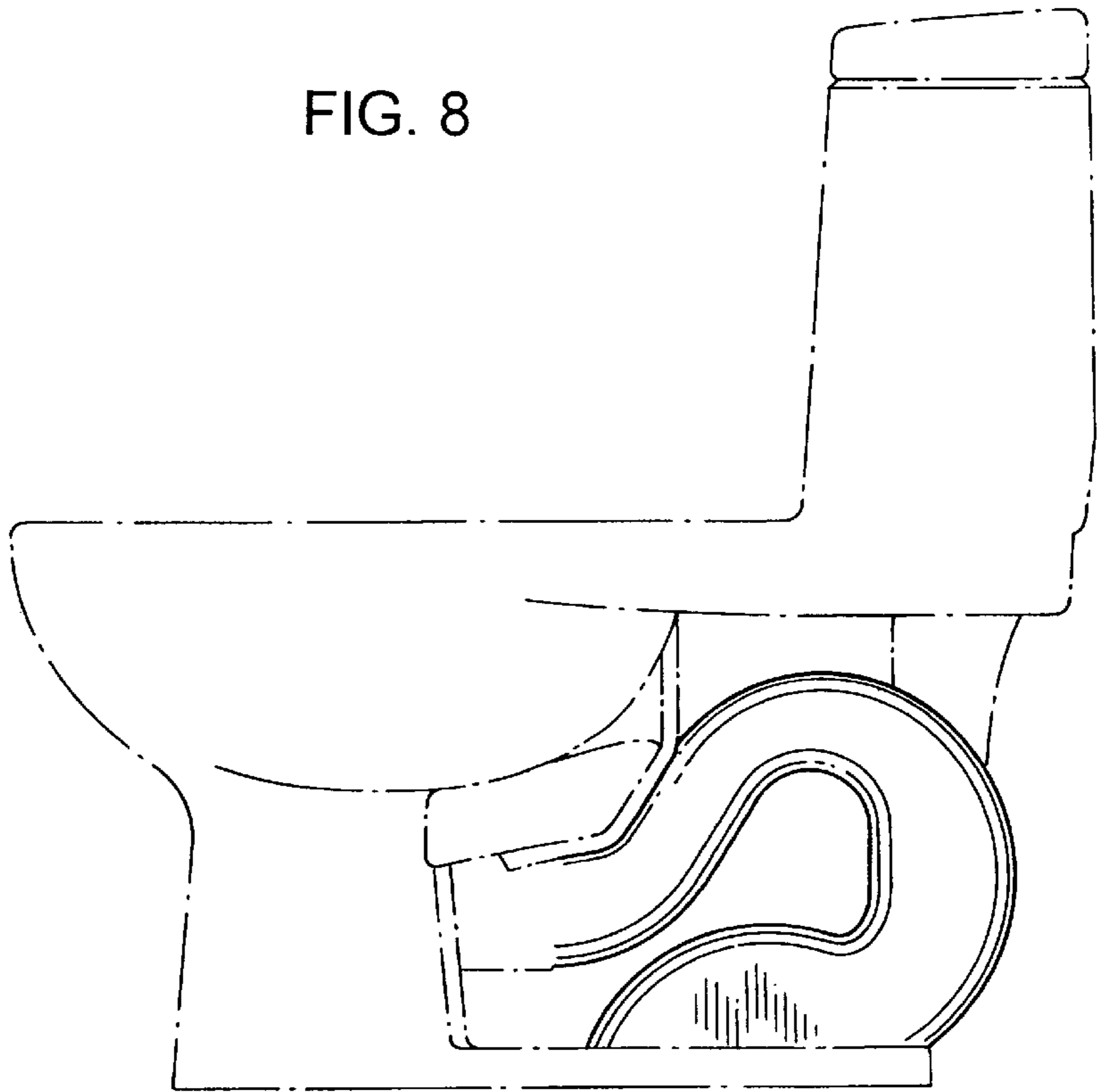


FIG. 9

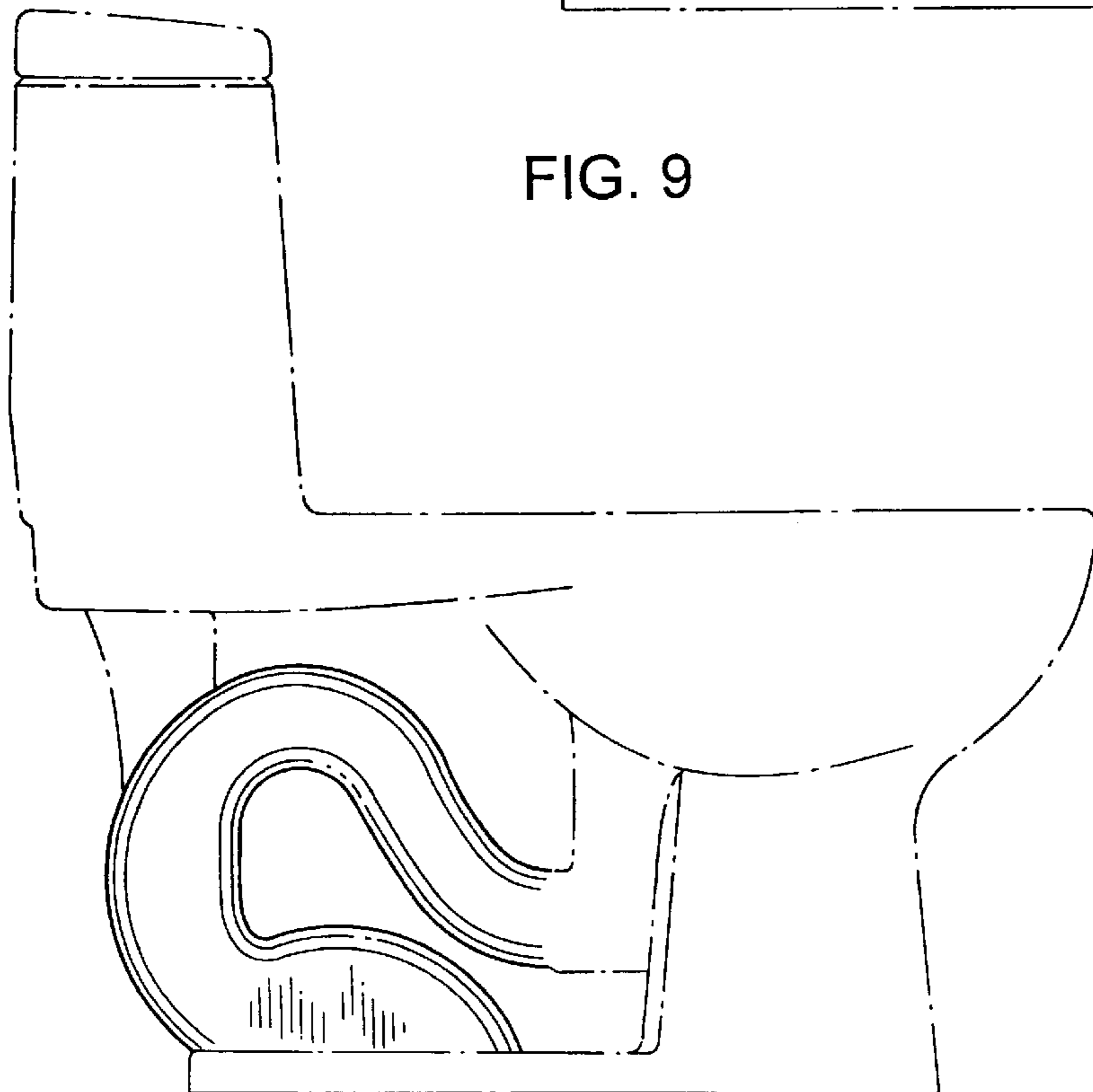


FIG. 10

