

US00D432216S

# United States Patent [19] Garcia

[11] **Patent Number: Des. 432,216**

[45] **Date of Patent: \*\* Oct. 17, 2000**

[54] **FAUCET HANDLE**

[75] Inventor: **Jesus Garcia**, Monterrey, Mexico

[73] Assignee: **American Standard Inc.**, Piscataway, N.J.

[\*\*] Term: **14 Years**

[21] Appl. No.: **29/109,821**

[22] Filed: **Aug. 24, 1999**

### Related U.S. Application Data

[62] Division of application No. 29/069,136, Apr. 11, 1997, Pat. No. Des. 408,505.

[51] **LOC (7) Cl.** ..... **23-01**

[52] **U.S. Cl.** ..... **D23/252; D23/250**

[58] **Field of Search** ..... **D23/238-257; D8/300-308, 350-354; 4/675-678; 137/801**

### [56] References Cited

#### U.S. PATENT DOCUMENTS

- D. 101,449 10/1936 Dreyfuss et al. .
- D. 197,986 4/1964 Schlage ..... D50/3

- D. 276,745 12/1984 Hill et al. .... D23/250
- D. 290,495 6/1987 Ryan ..... D23/28
- D. 299,515 1/1989 Fabian .
- D. 304,071 10/1989 Haug et al. .
- D. 329,911 9/1992 Yost ..... D23/250
- D. 333,697 3/1993 Thomas ..... D23/250
- D. 378,775 4/1997 Kergoet .

*Primary Examiner*—Louis S. Zarfes

*Assistant Examiner*—G. Andoll

### [57] CLAIM

The ornamental design for a faucet handle, as shown and described.

### DESCRIPTION

FIG. 1 is a perspective view of a faucet handle showing my new design;

FIG. 2 is a front elevational view of FIG. 1;

FIG. 3 is a rear elevational view of FIG. 1;

FIG. 4 is a side elevational view of FIG. 1;

FIG. 5 is a top plan view of FIG. 1; and,

FIG. 6 is a bottom plan view of FIG. 1.

The broken lines in the Figures are for illustrative purposes only and form no part of the claimed design.

**1 Claim, 1 Drawing Sheet**

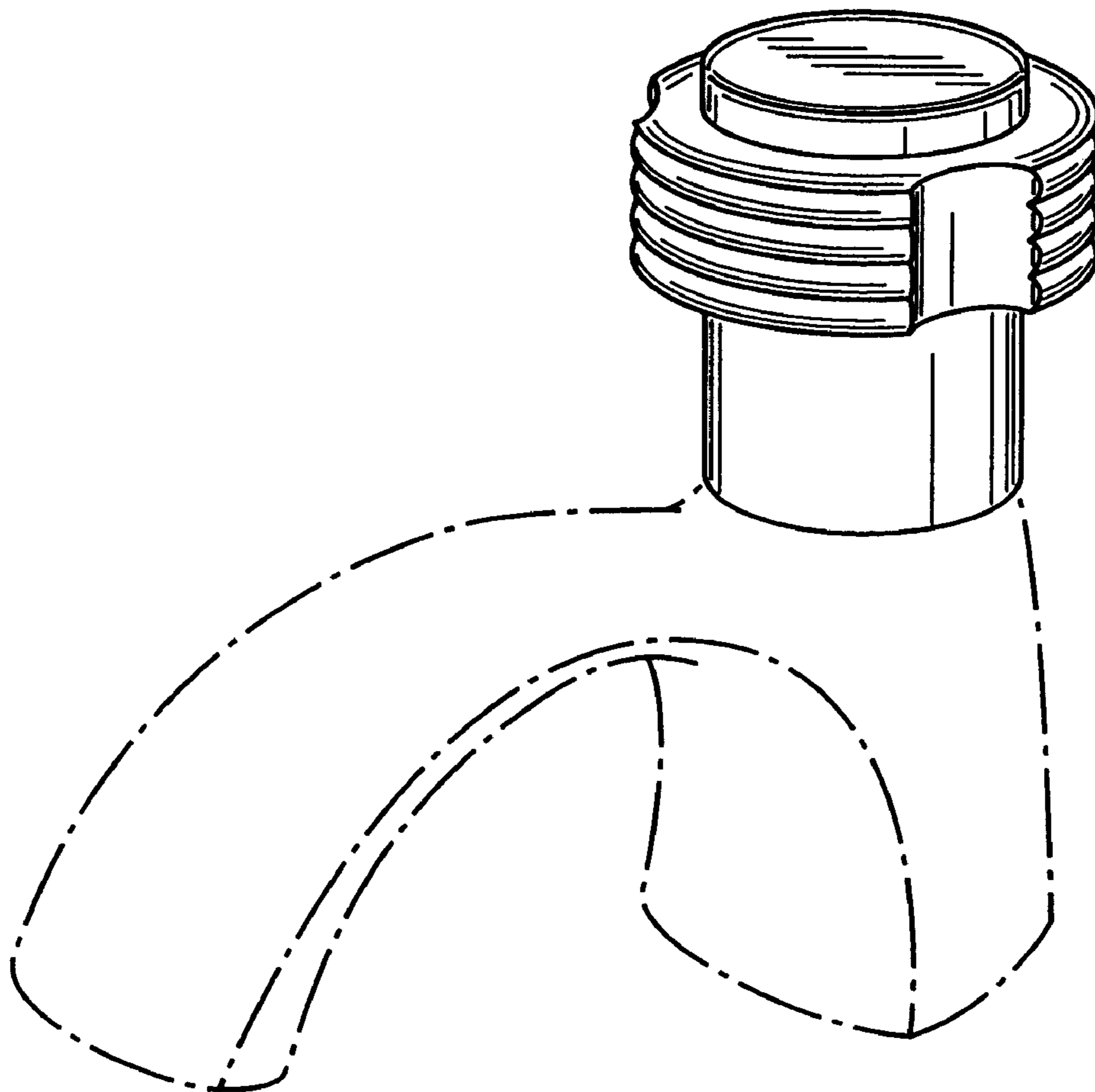


FIG. 1

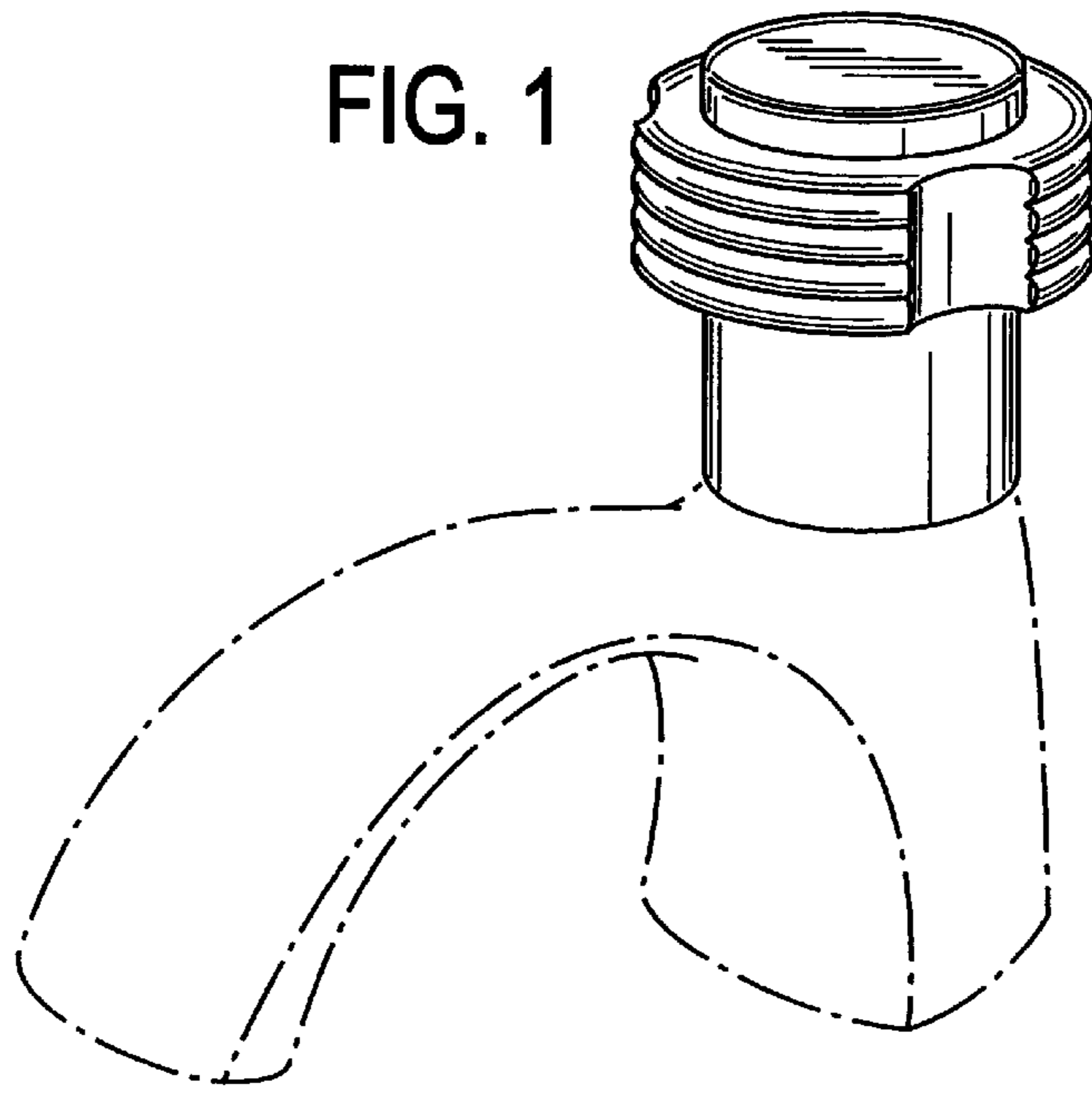


FIG. 2

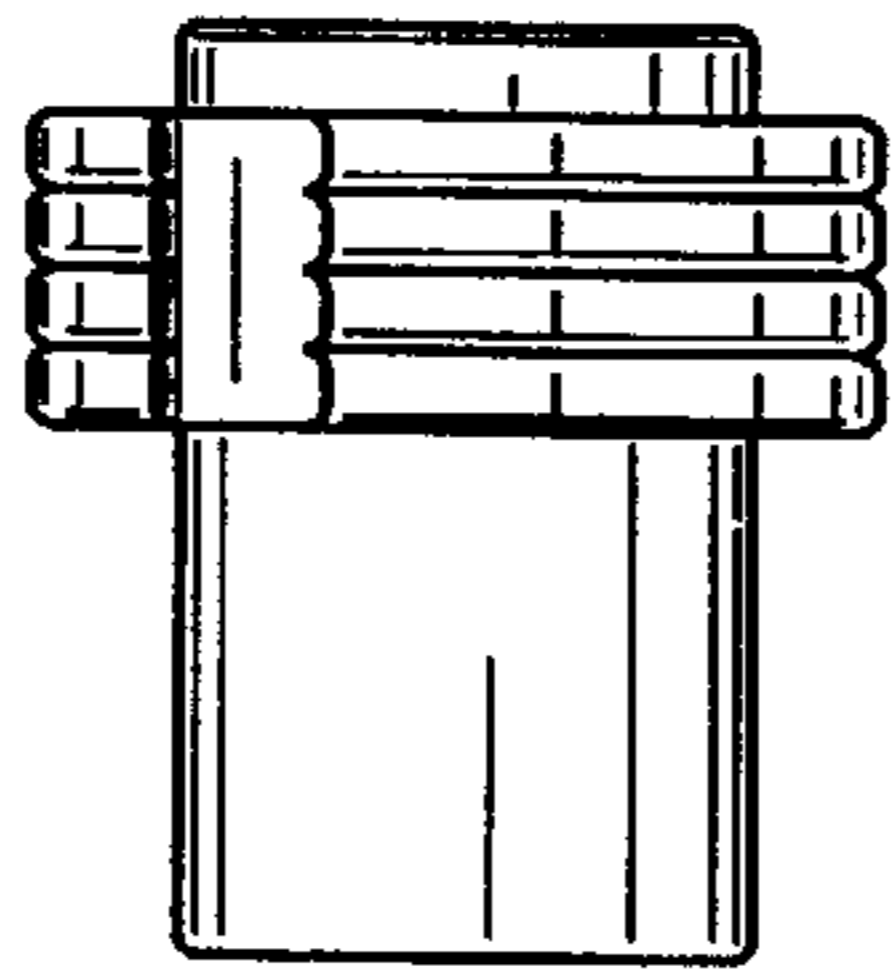


FIG. 3

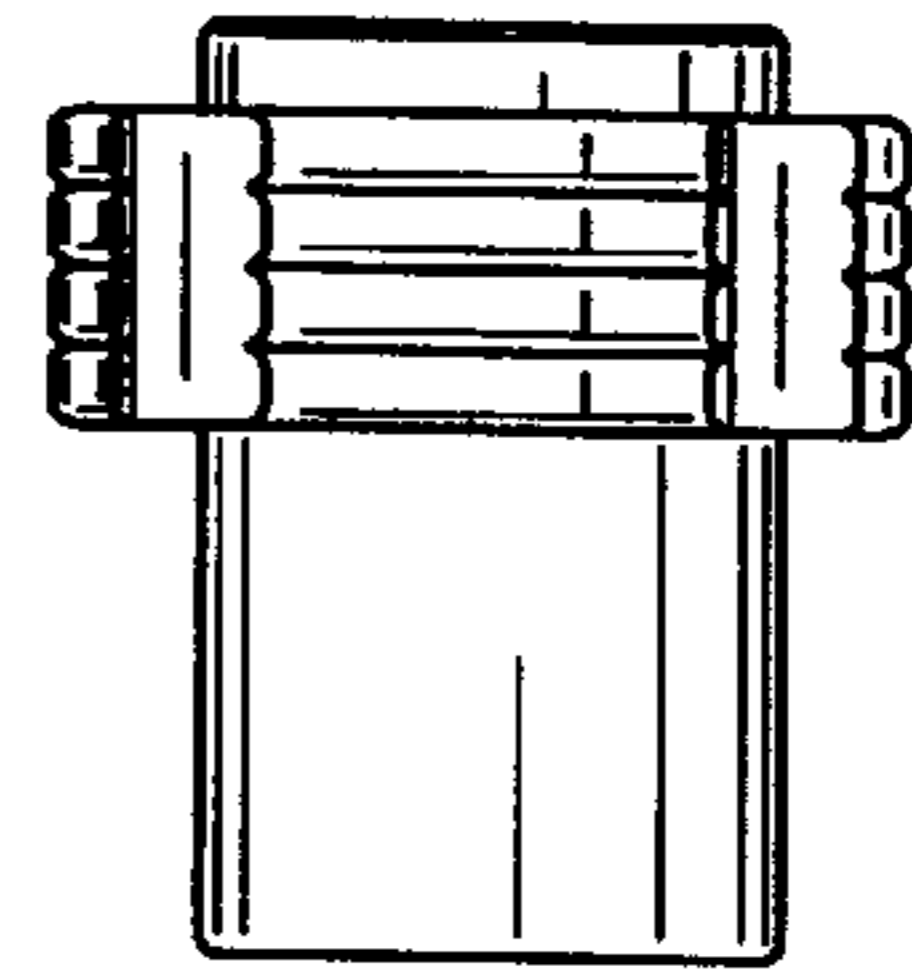


FIG. 4

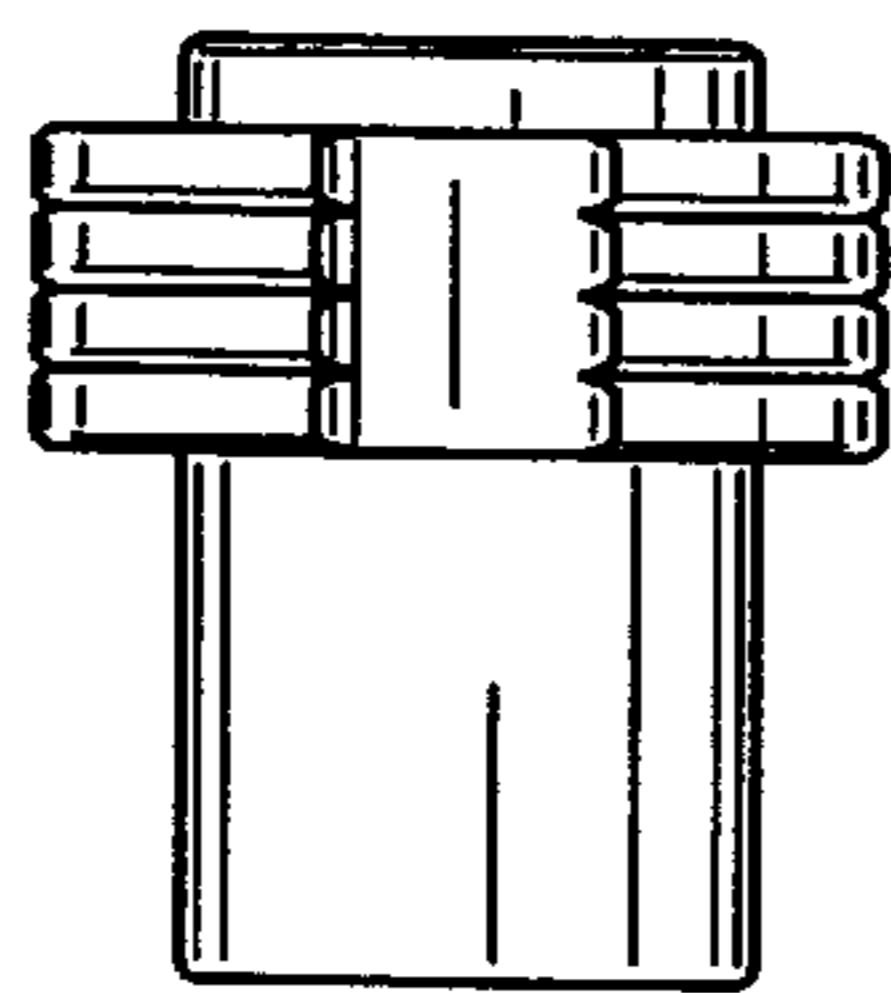


FIG. 5

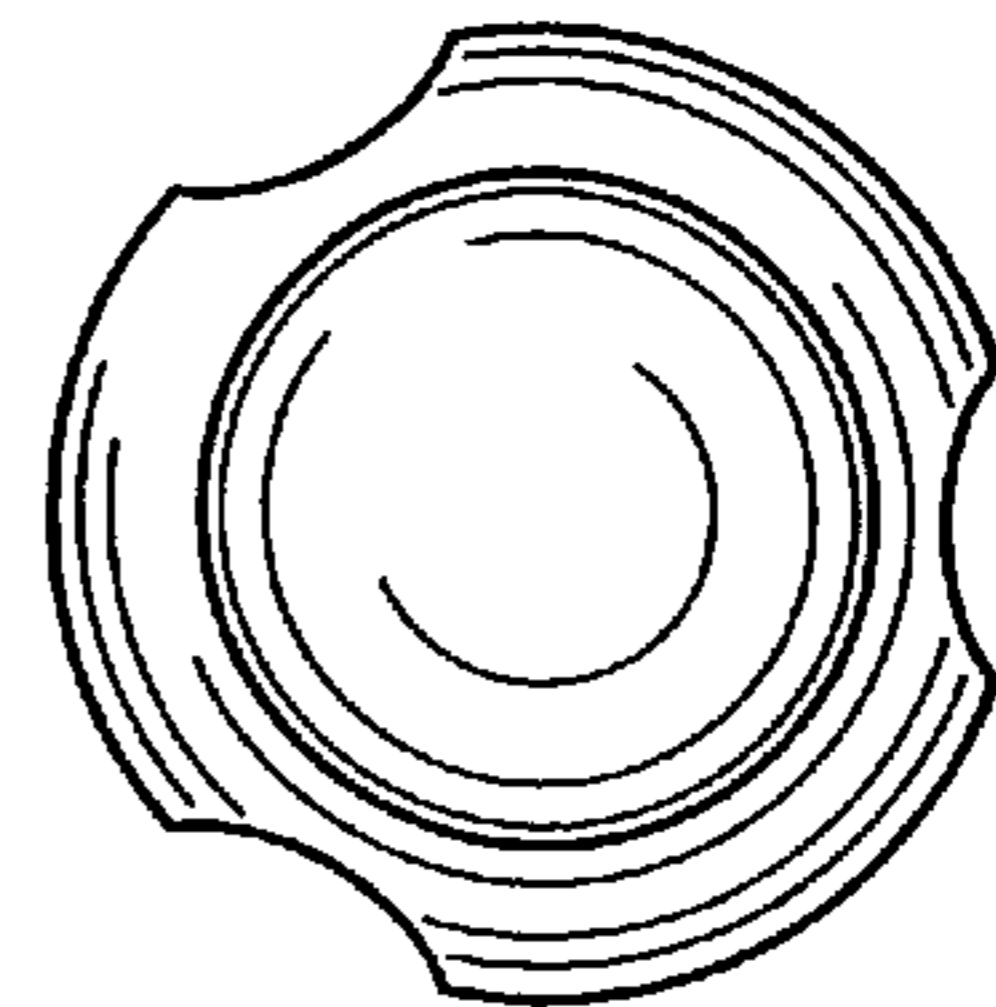


FIG. 6

