



US00D432214S

United States Patent [19] Spangler

[11] Patent Number: **Des. 432,214**

[45] Date of Patent: **** Oct. 17, 2000**

[54] **TUB AND SHOWER FAUCET BODY**

[75] Inventor: **Anthony G. Spangler**, Greensburg, Ind.

[73] Assignee: **Masco Corporation of Indiana**,
Indianapolis, Ind.

[**] Term: **14 Years**

[21] Appl. No.: **29/116,049**

[22] Filed: **Dec. 23, 1999**

[51] **LOC (7) Cl.** **23-04**

[52] **U.S. Cl.** **D23/238**

[58] **Field of Search** D23/238-257;
4/675-678; 137/801

D. 421,093	2/2000	Fleischmann	D23/238
D. 421,487	3/2000	Lord	D23/255
D. 422,341	4/2000	Slothoewr et al.	D23/238
D. 422,342	4/2000	Mark et al.	D23/238
D. 422,344	4/2000	Lord	D23/255
5,813,436	9/1998	Chen	137/801
5,884,662	3/1999	Ko	137/801

Primary Examiner—Louis S. Zarfes
Assistant Examiner—G. Andoll
Attorney, Agent, or Firm—Myron B. Kapustij; Lloyd D. Doigan

[57] CLAIM

The ornamental design for a tub and shower faucet body, as shown and described.

DESCRIPTION

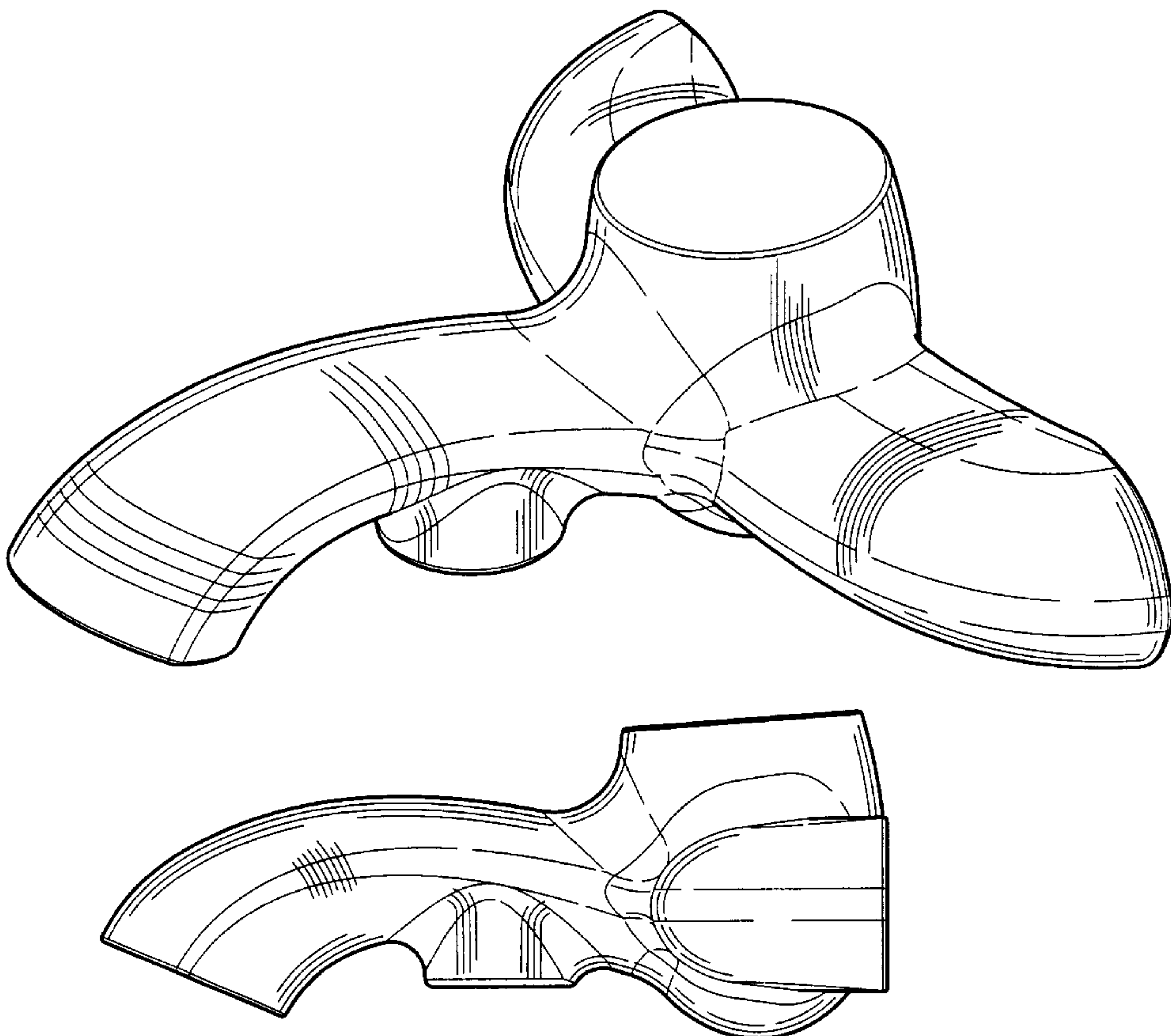
FIG. 1 is a front perspective view of the tub and shower faucet body showing my new design;
FIG. 2 is a rear perspective view thereof;
FIG. 3 is a top plan view thereof;
FIG. 4 is a left side elevational view thereof;
FIG. 5 is a bottom plan view thereof;
FIG. 6 is a front elevational view thereof; and,
FIG. 7 is a rear elevational view thereof.
The broken line showing of the handle and hose in FIG. 2 and of the inner wall in FIG. 5 are for purposes of illustration only and form no part of the claimed design.

1 Claim, 4 Drawing Sheets

[56] References Cited

U.S. PATENT DOCUMENTS

D. 25,458	5/1896	Mackin	D23/241
D. 267,109	11/1982	Fabian	D23/241
D. 315,194	3/1991	Haug et al.	D23/238
D. 379,648	6/1997	Fleischmann	D23/238
D. 387,417	12/1997	Doughty et al.	D23/243
D. 388,156	12/1997	Hill et al.	D23/238
D. 388,862	1/1998	Hill et al.	D23/238
D. 394,698	5/1998	Krause	D23/238
D. 406,880	3/1999	Doughty et al.	D23/255
D. 408,505	4/1999	Garcia	D23/255
D. 413,160	8/1999	Lord	D23/238
D. 413,376	8/1999	Meda	D23/238



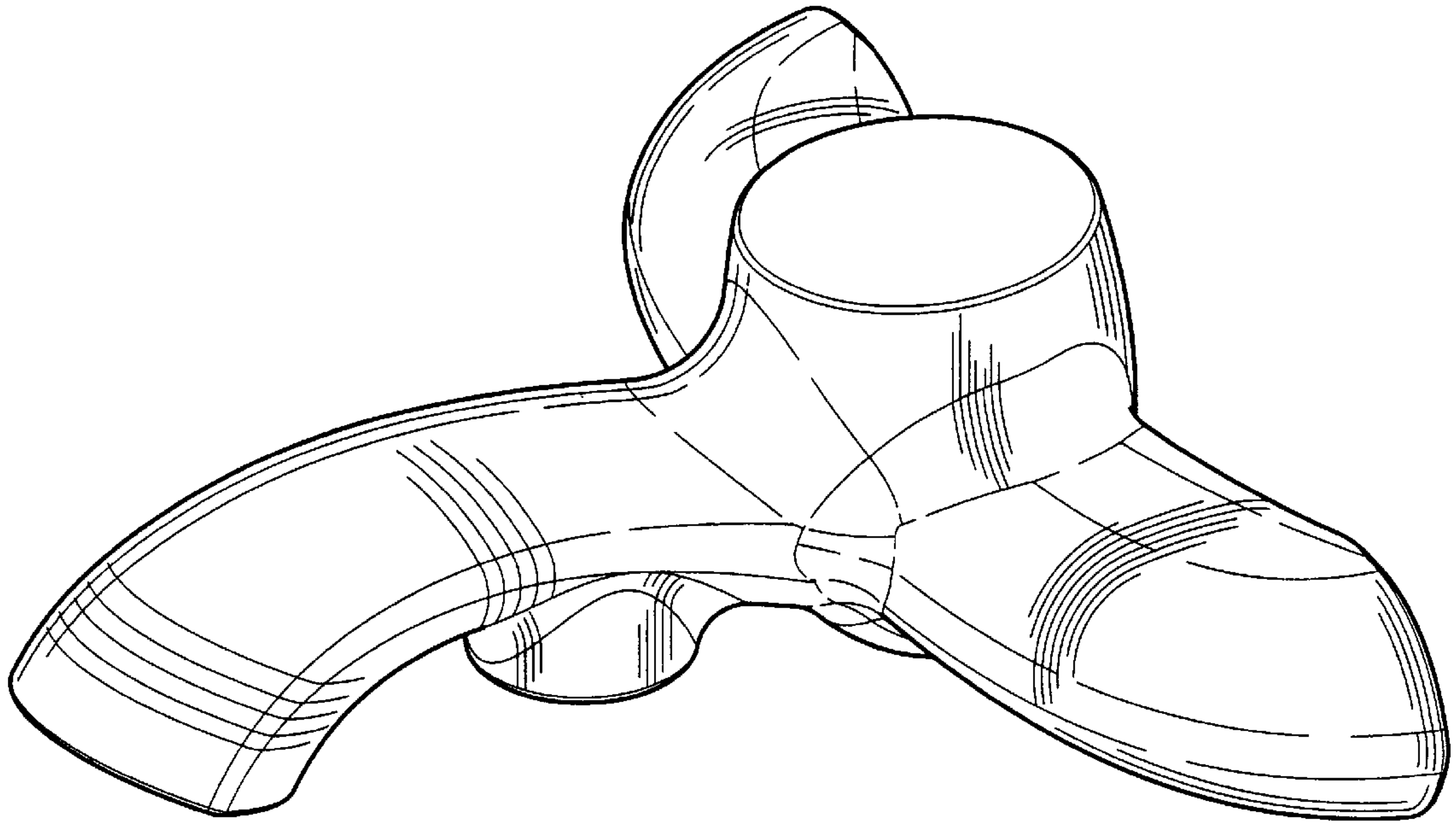


Figure - 1

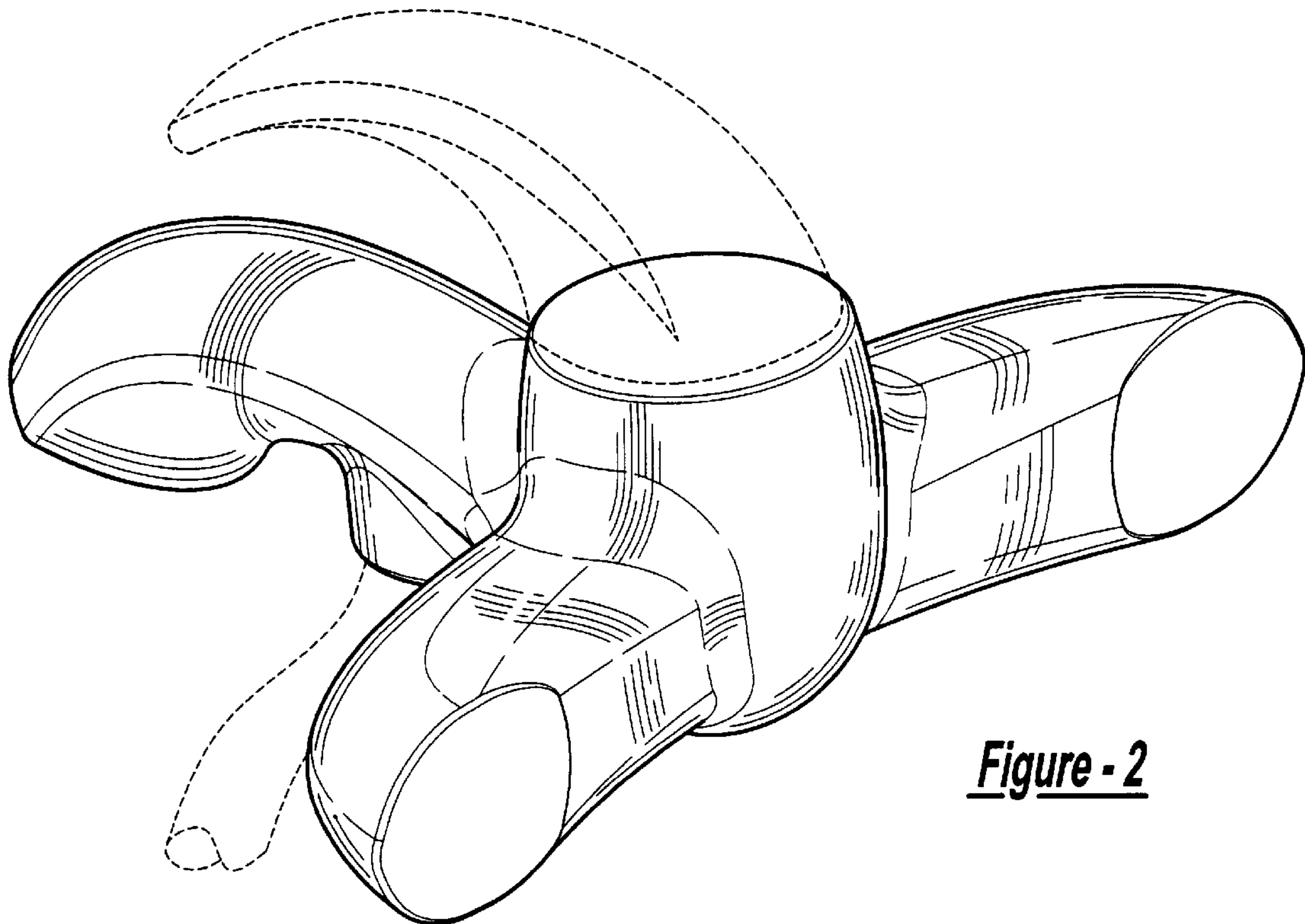


Figure - 2

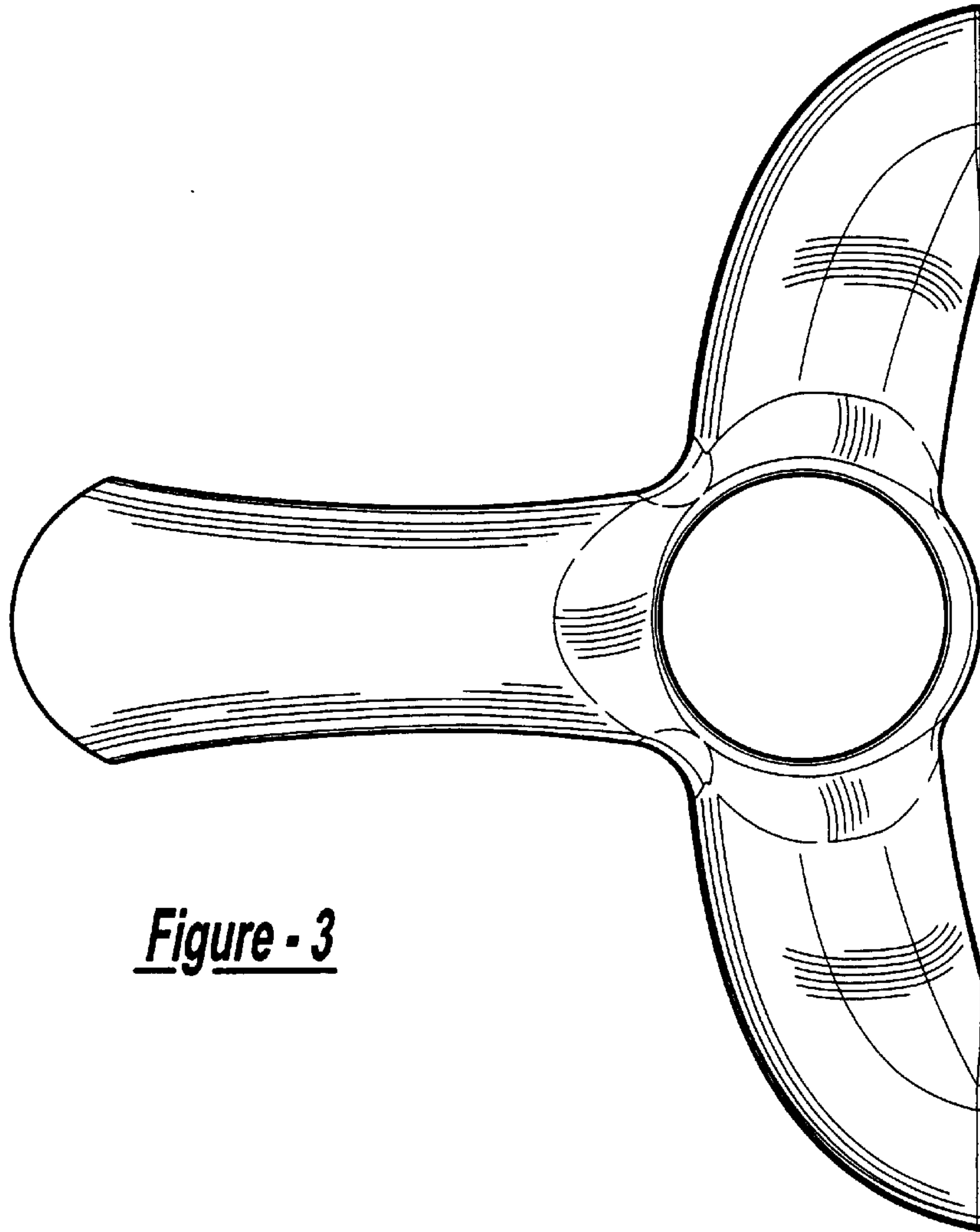


Figure - 3

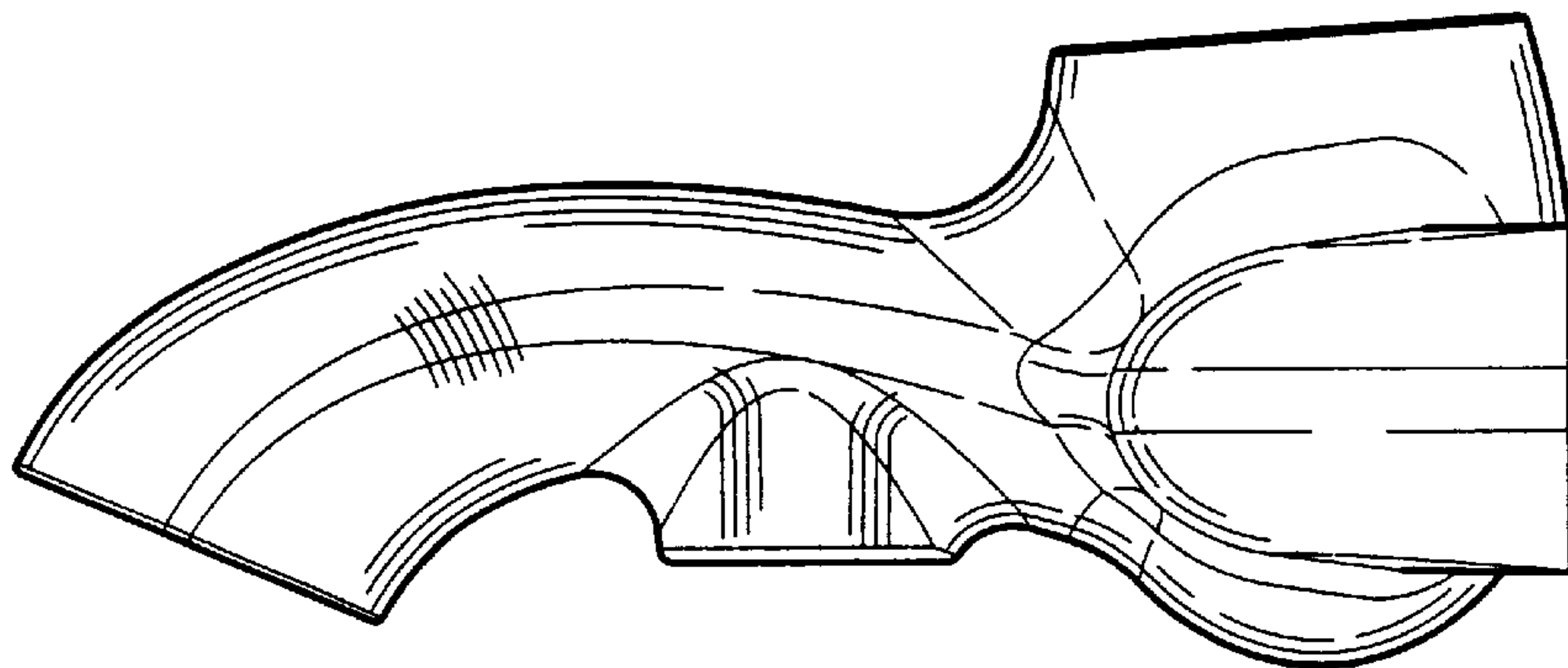


Figure - 4

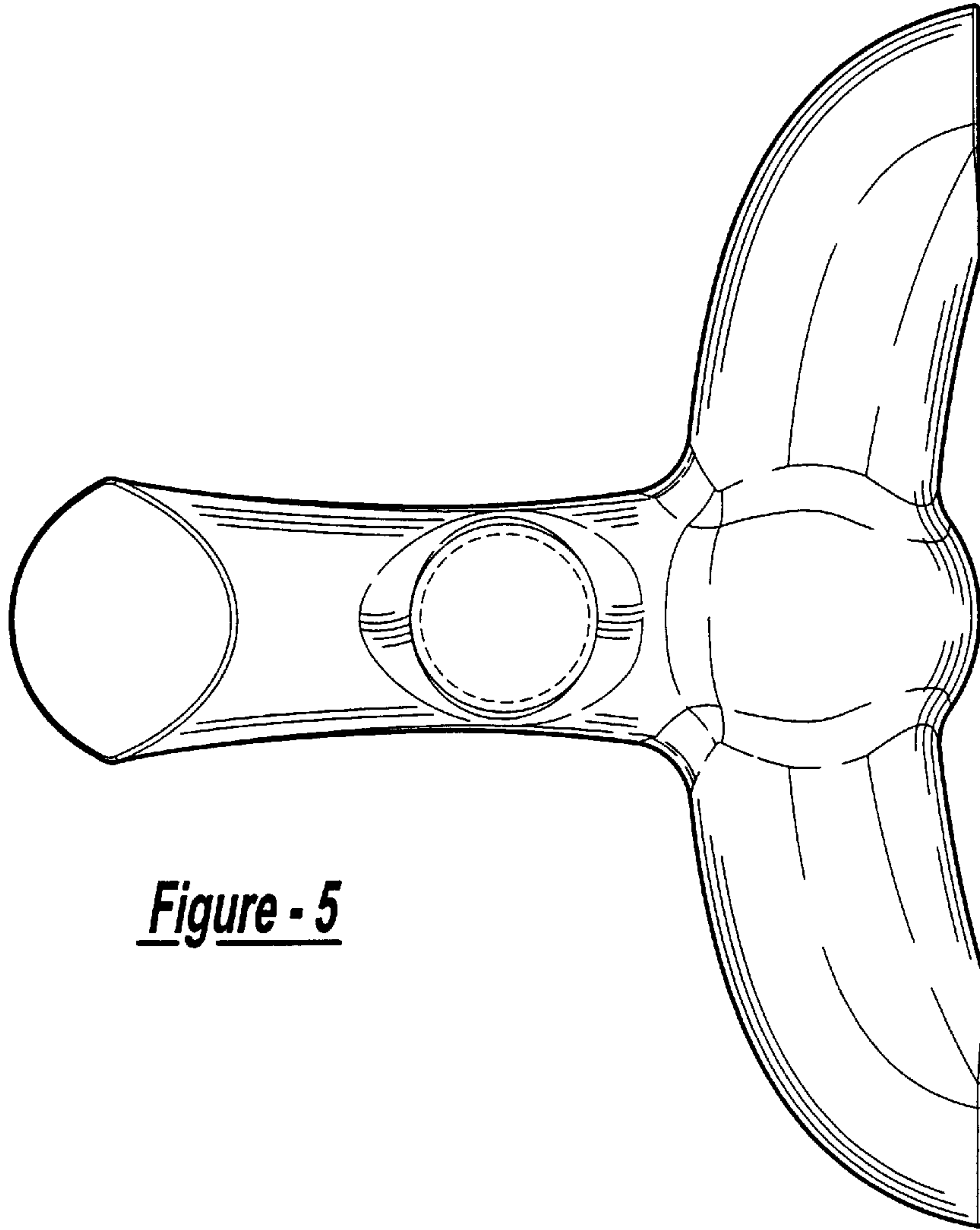


Figure - 5

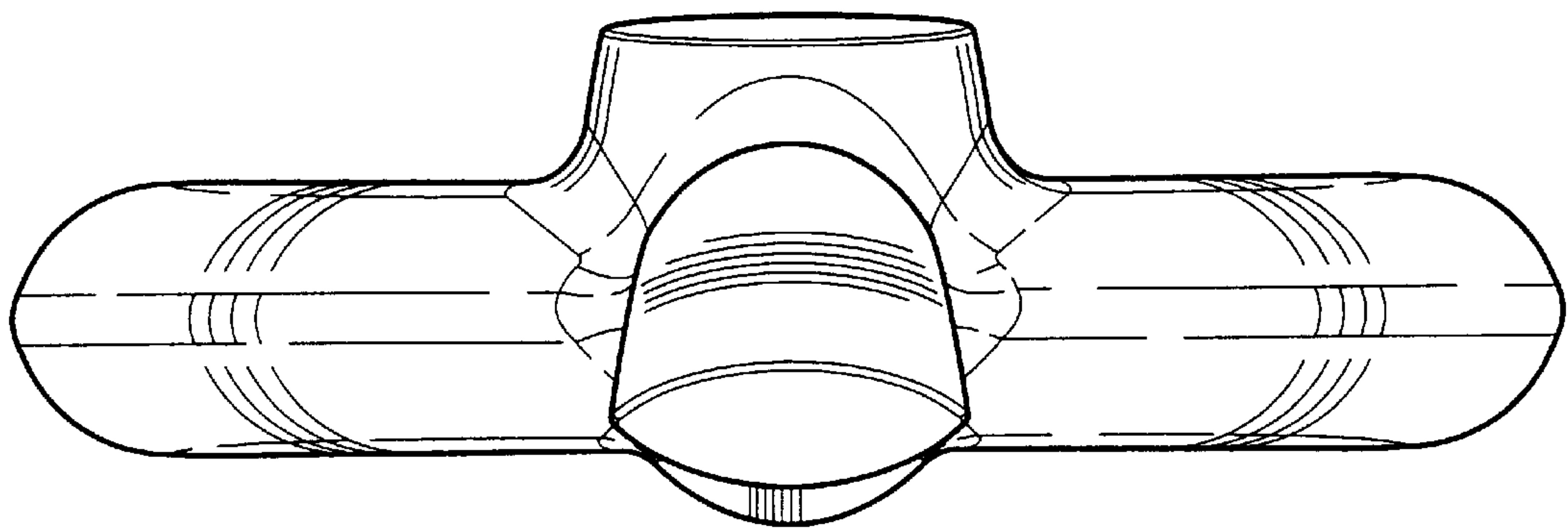


Figure - 6

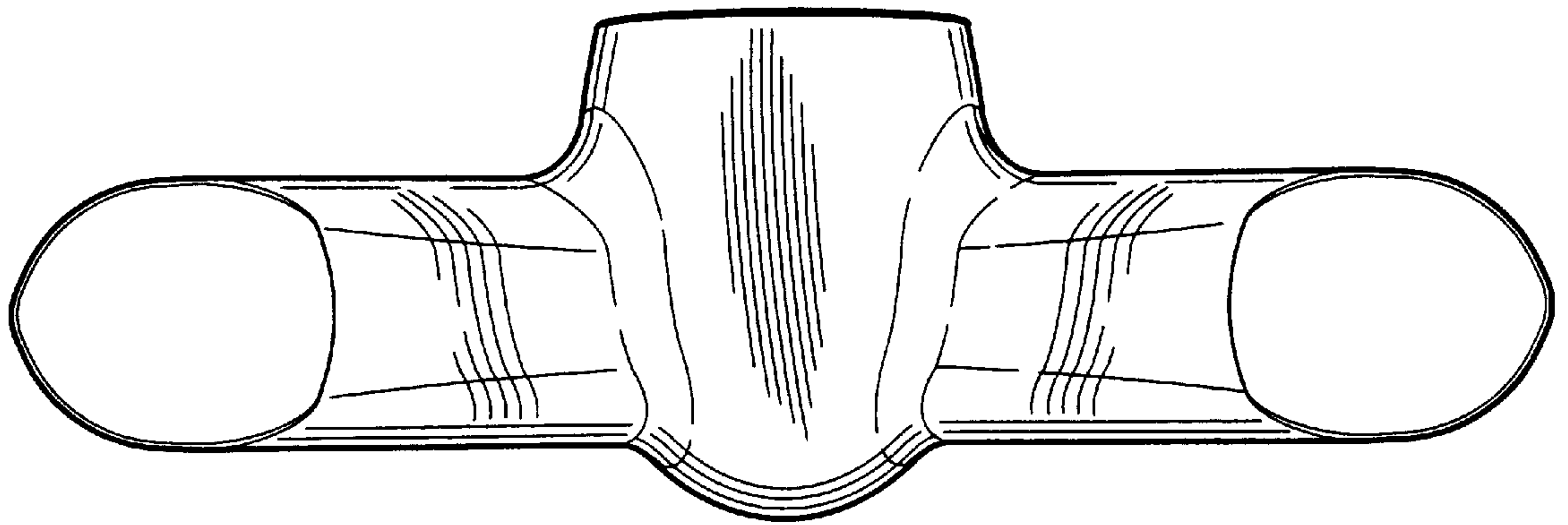


Figure - 7