



US00D432212S

United States Patent [19] Tse

[11] **Patent Number: Des. 432,212**

[45] **Date of Patent: ** Oct. 17, 2000**

[54] **SHOWERHEAD**

[75] Inventor: **Hing Fai Tse**, Tai Po, The Hong Kong Special Administrative Region of the People's Republic of China

[73] Assignee: **Aquamate Co., Ltd.**, Kowloon, The Hong Kong Special Administrative Region of the People's Republic of China

[**] Term: **14 Years**

[21] Appl. No.: **29/114,751**

[22] Filed: **Dec. 1, 1999**

[51] **LOC (7) Cl.** **23-01**

[52] **U.S. Cl.** **D23/229**

[58] **Field of Search** D23/213, 223, D23/228-230; 239/462, 548, 394

[56] **References Cited**

U.S. PATENT DOCUMENTS

D. 113,439 2/1939 Reinecke D23/229

D. 347,260 5/1994 Ben-zur D23/213
D. 375,541 11/1996 Michaluk D23/213
D. 417,258 1/1999 Green et al. D23/229
D. 418,904 1/2000 Milrud D23/229

Primary Examiner—Robin V. Taylor
Attorney, Agent, or Firm—Leydig, Voit & Mayer, Ltd.

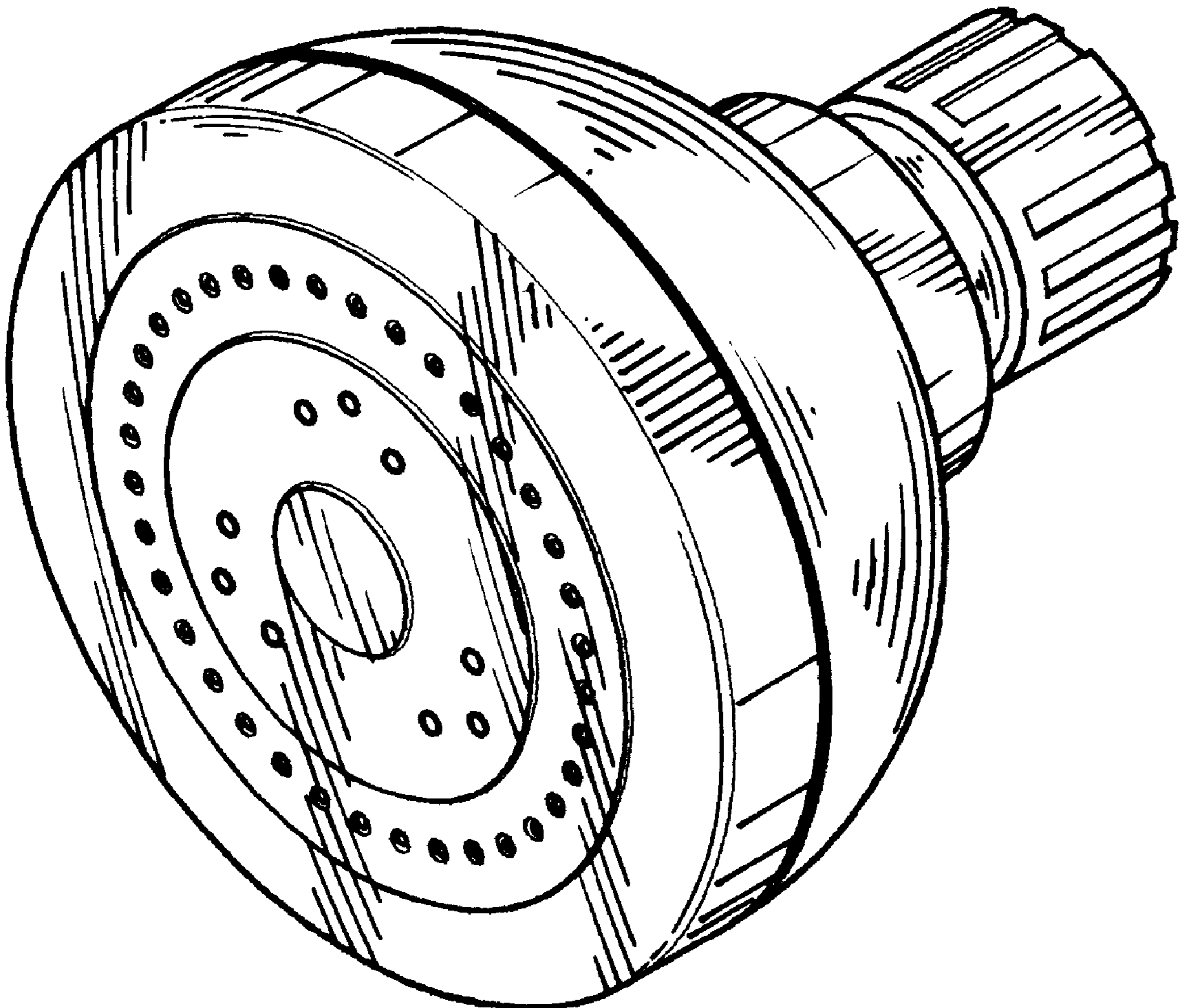
[57] **CLAIM**

The ornamental design for a showerhead, as shown and described.

DESCRIPTION

FIG. 1 is a front and right side perspective view of a showerhead showing my new design;
FIG. 2 is a front elevational view thereof;
FIG. 3 is a rear elevational view thereof;
FIG. 4 is a left side elevational view thereof;
FIG. 5 is a right side elevational view thereof;
FIG. 6 is a top plan view thereof; and,
FIG. 7 is a bottom plan view thereof.

1 Claim, 4 Drawing Sheets



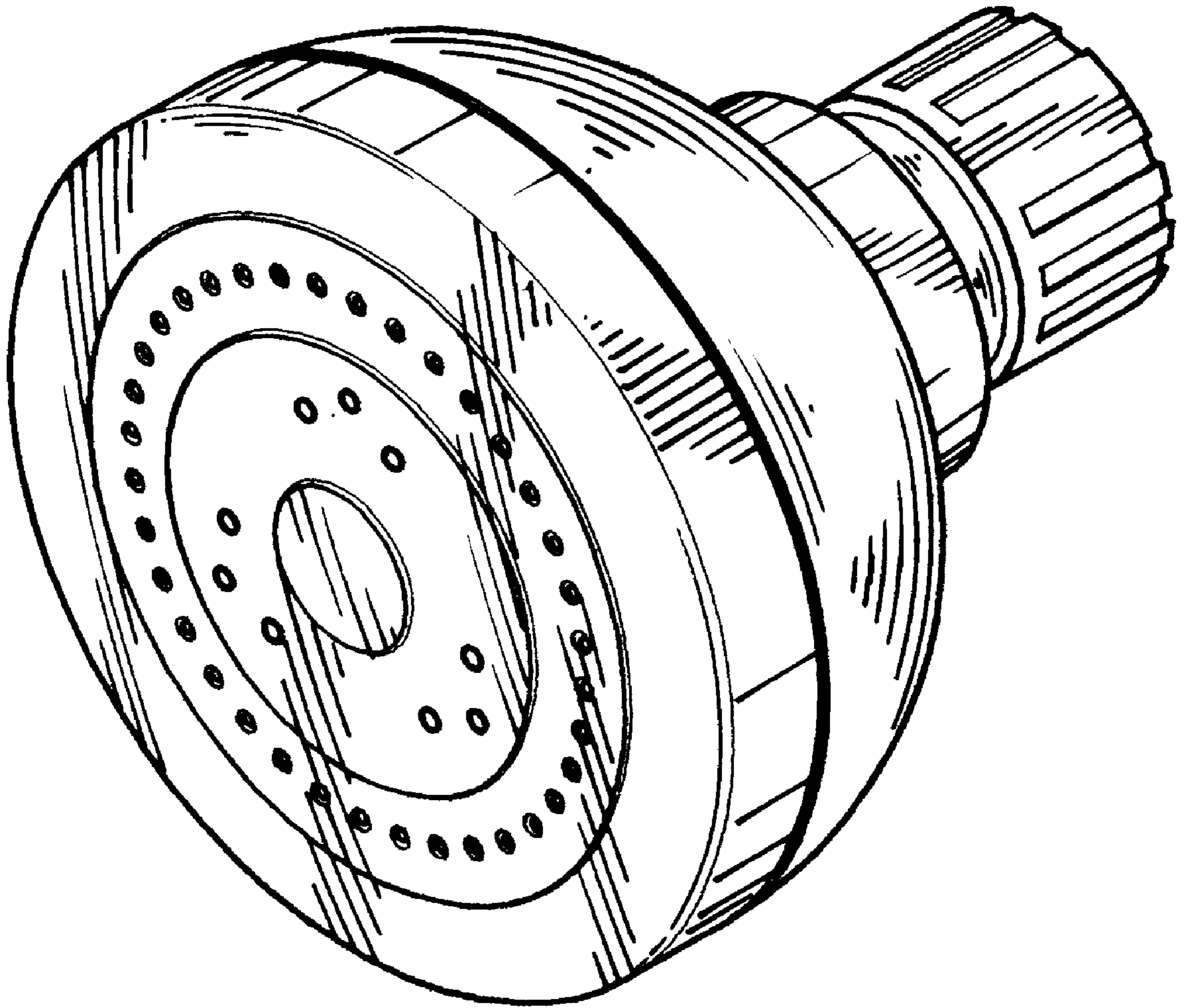


FIG. 1

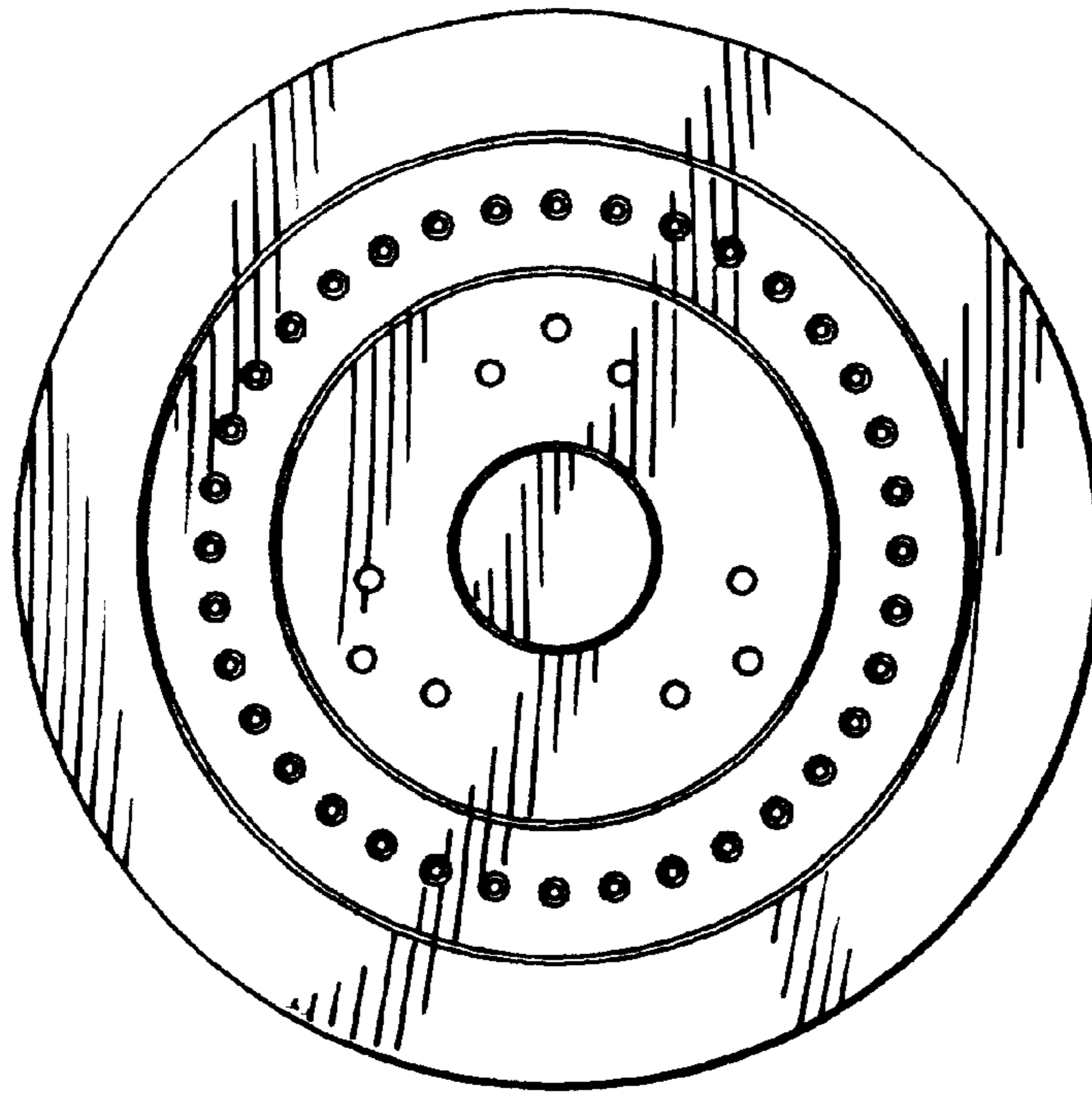


FIG. 2

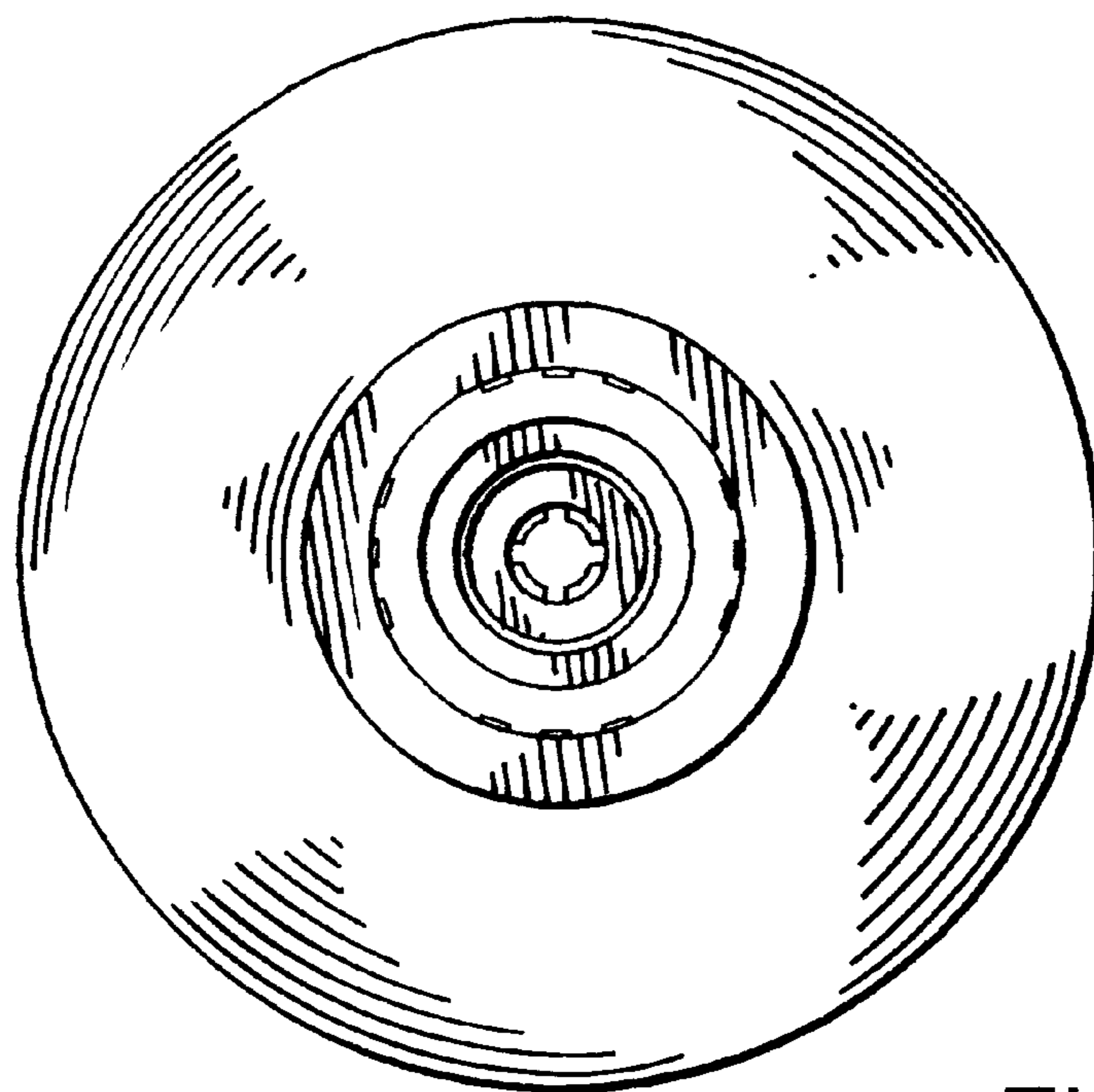


FIG. 3

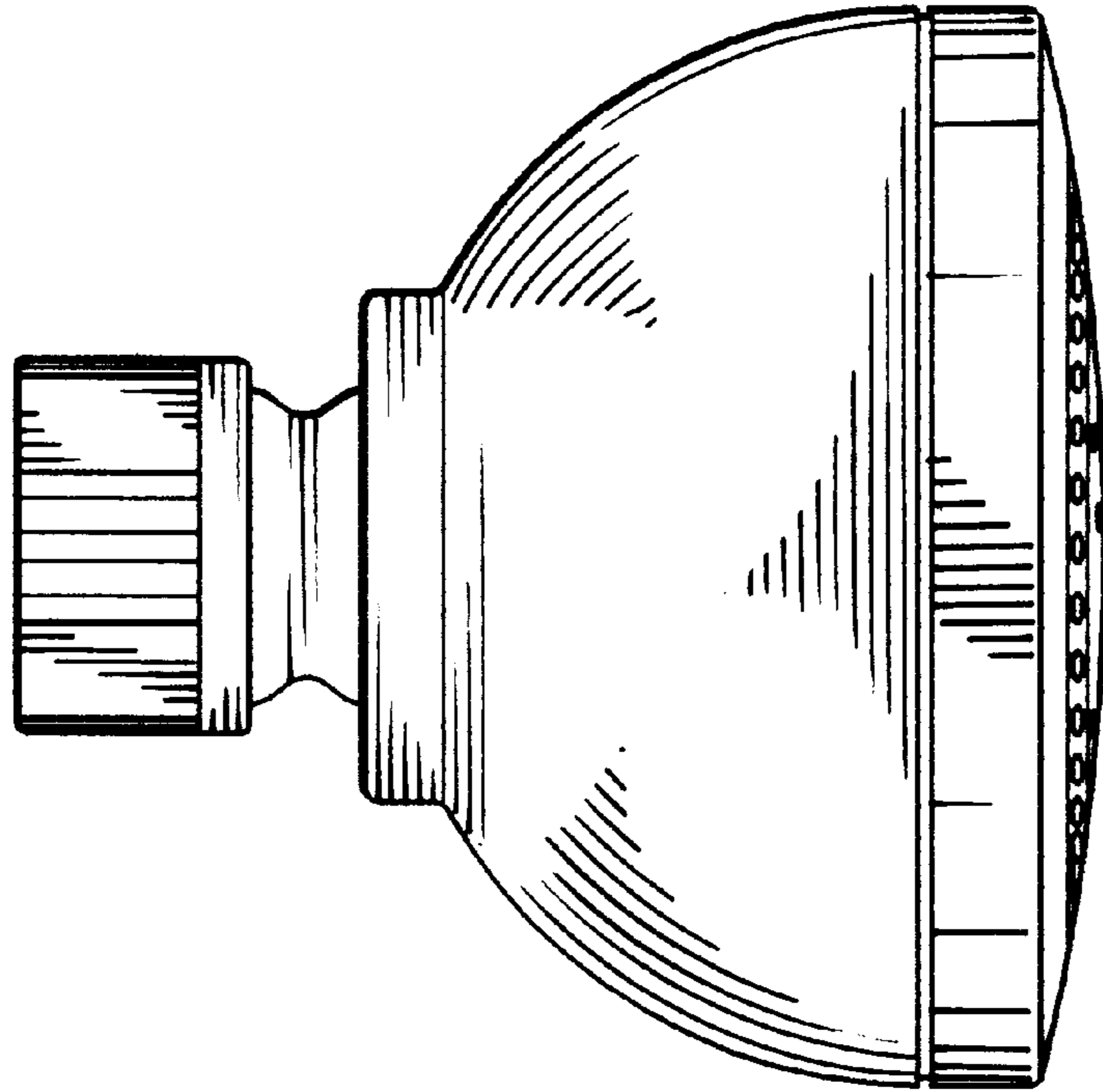


FIG. 4

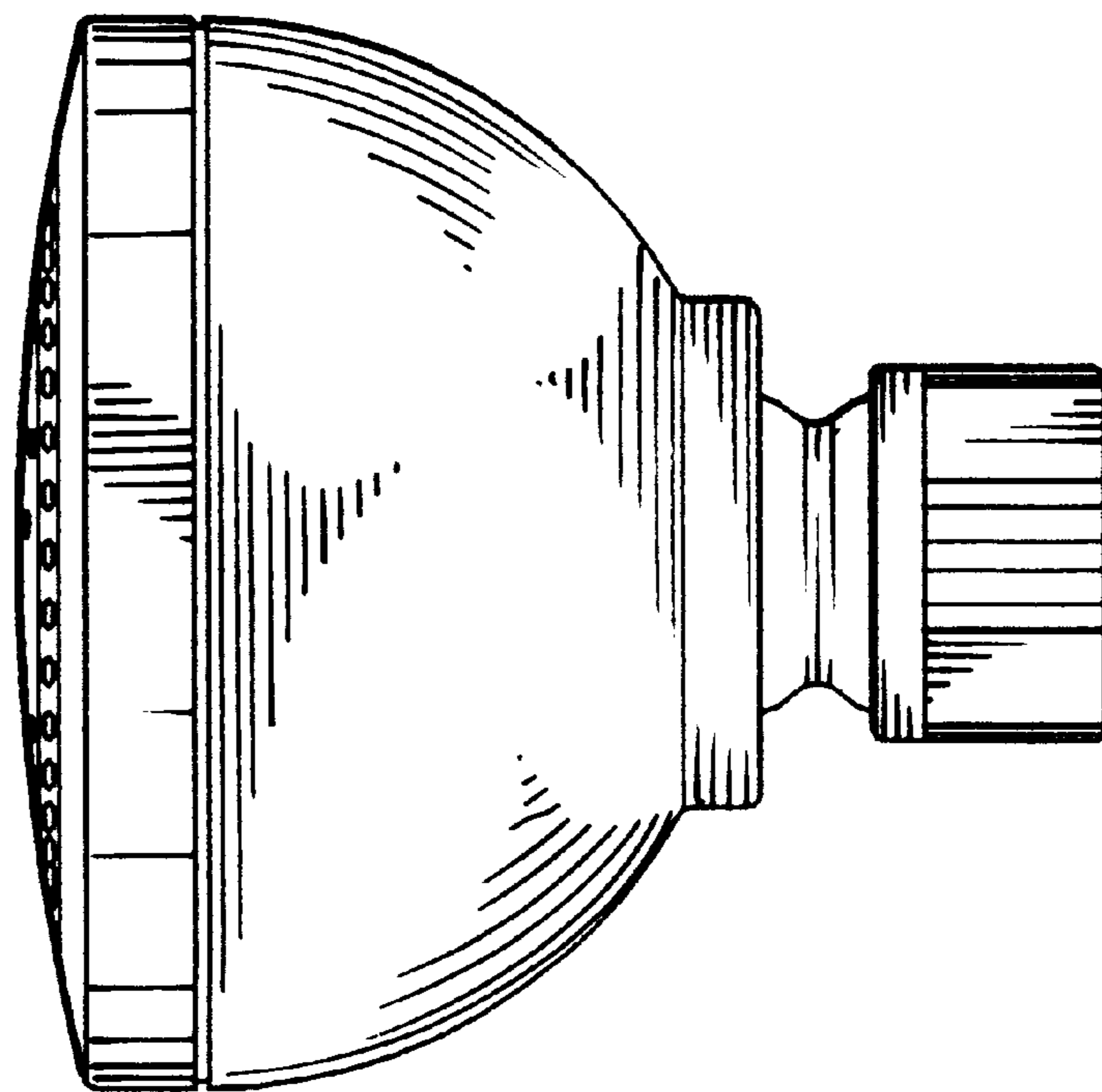


FIG. 5

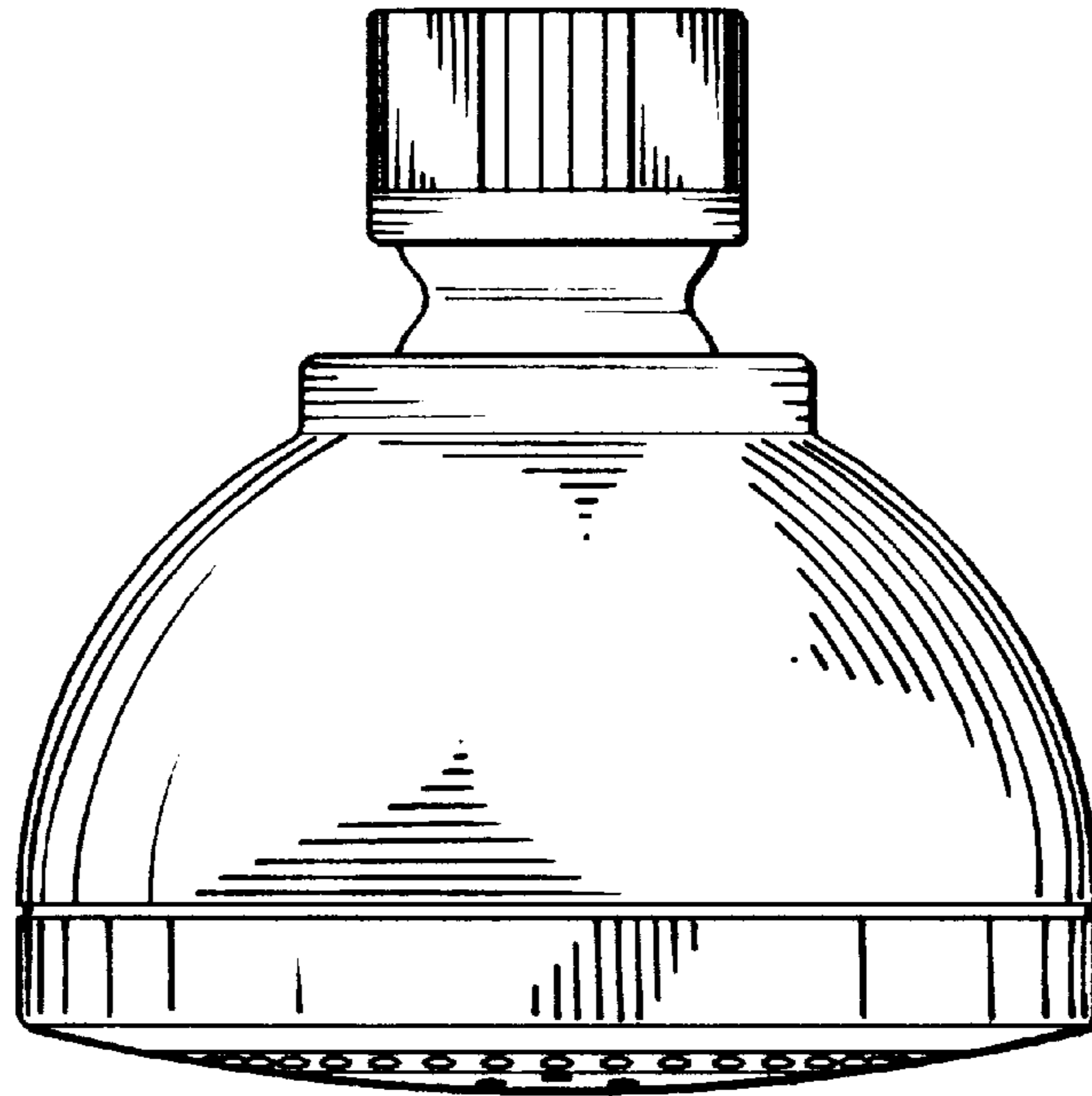


FIG. 6

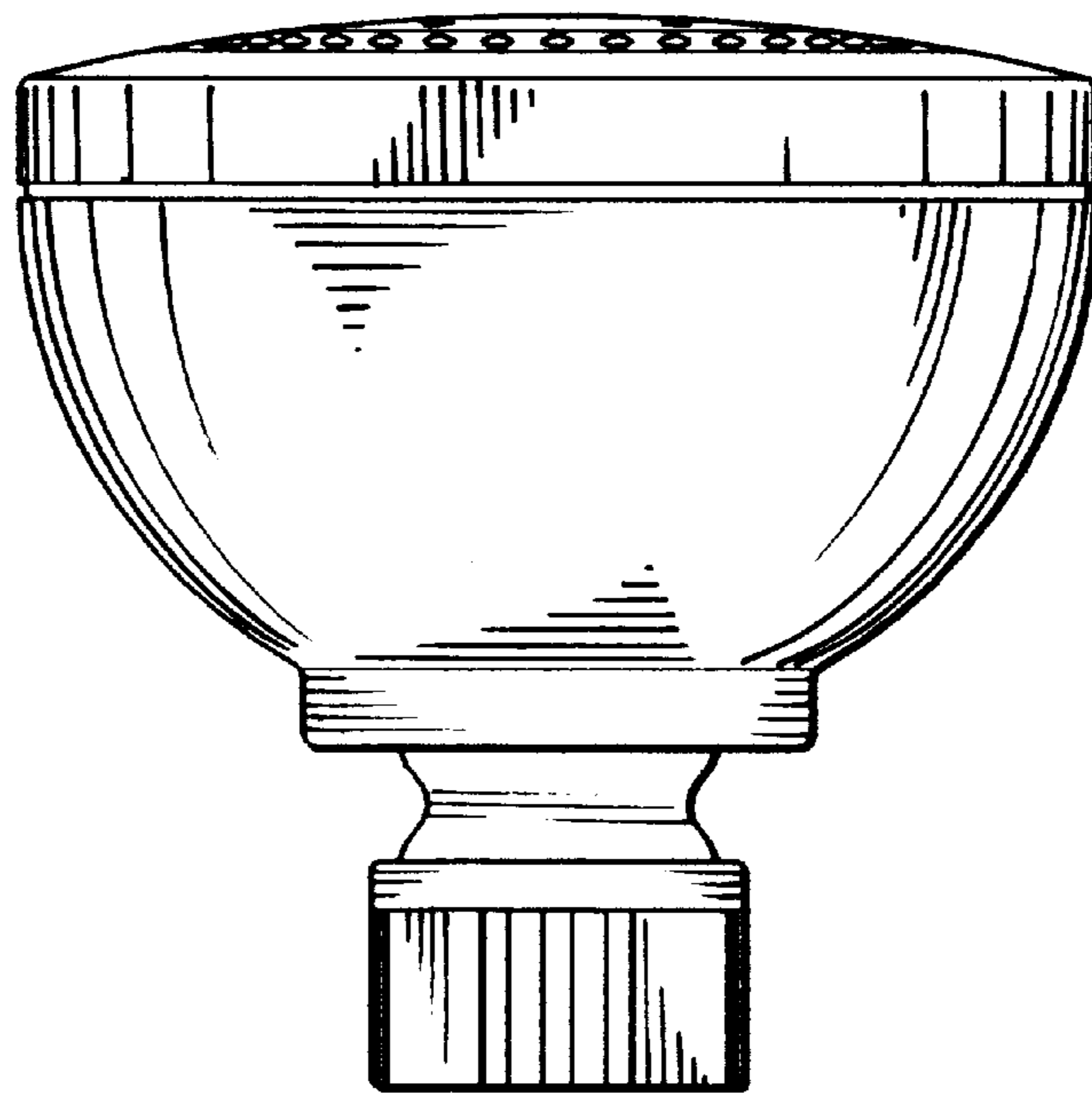


FIG. 7