



US00D432211S

# United States Patent [19] Chan

[11] **Patent Number: Des. 432,211**

[45] **Date of Patent: \*\* Oct. 17, 2000**

[54] **SHOWERHEAD**

D. 323,545 1/1992 Ward ..... D23/213  
D. 405,504 2/1999 Huen ..... D23/229  
D. 416,075 11/1999 Chan ..... D23/229

[75] Inventor: **Jason Siu Ming Chan**, North Point,  
The Hong Kong Special Administrative  
Region of the People's Republic of  
China

*Primary Examiner*—Robin V. Taylor  
*Attorney, Agent, or Firm*—Leydig, Voit & Mayer, Ltd.

[73] Assignee: **Aquamate Company Limited**,  
Kowloon, The Hong Kong Special  
Administrative Region of the People's  
Republic of China

[57] **CLAIM**

The ornamental design for a showerhead, as shown and described.

[\*\*] Term: **14 Years**

**DESCRIPTION**

[21] Appl. No.: **29/113,333**

FIG. 1 is a front and left side and top perspective view of a showerhead showing my new design;

[22] Filed: **Nov. 1, 1999**

FIG. 2 is a front elevational view thereof;

[51] **LOC (7) Cl.** ..... **23-01**

FIG. 3 is a top plan view thereof;

[52] **U.S. Cl.** ..... **D23/229**

FIG. 4 is a left side elevational view thereof;

[58] **Field of Search** ..... D23/213, 223,  
D23/229-230; 239/462, 394

FIG. 5 is a right side elevational view thereof;

FIG. 6 is a rear elevational view thereof; and,

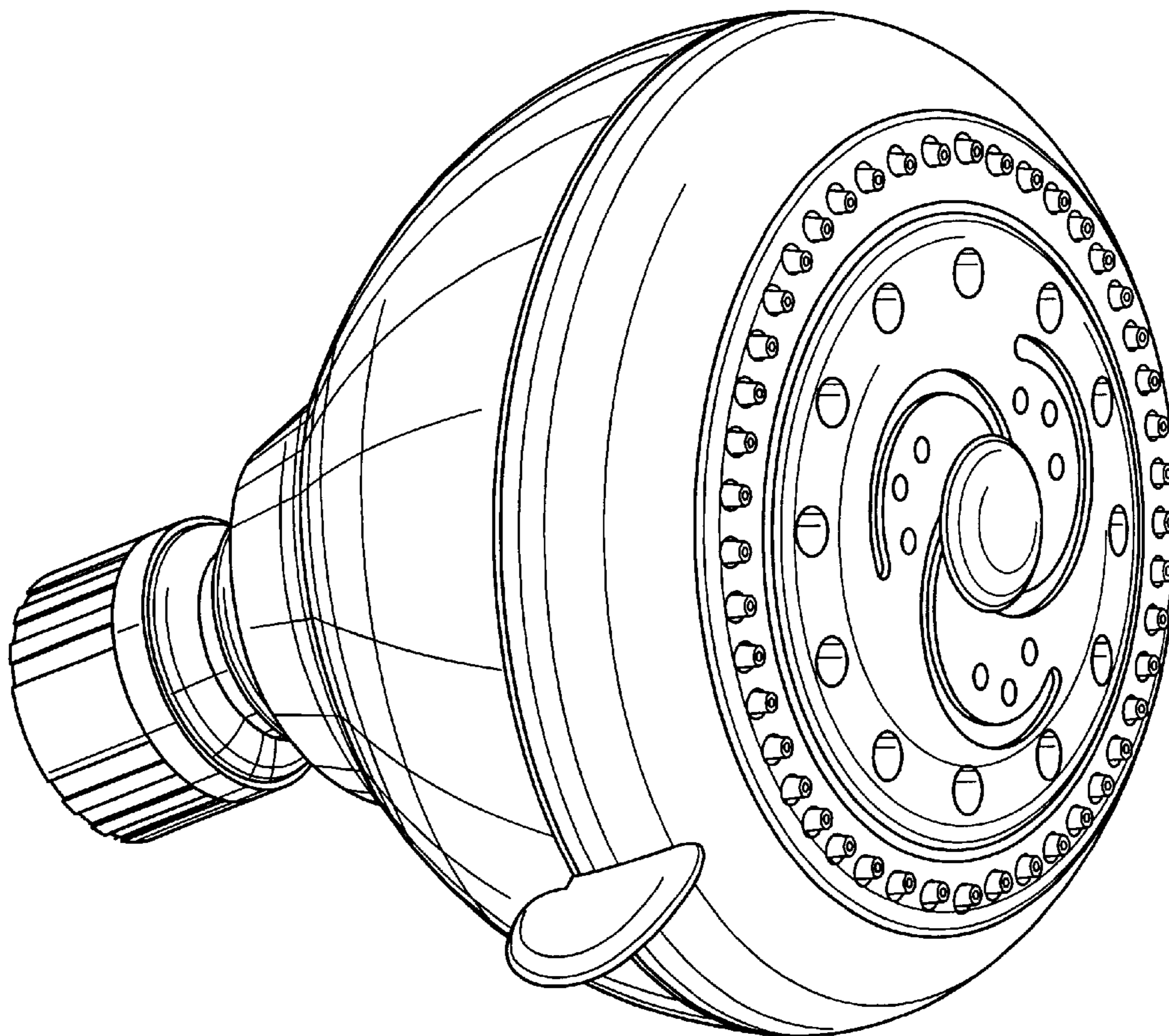
FIG. 7 is a bottom plan view thereof.

[56] **References Cited**

**U.S. PATENT DOCUMENTS**

D. 313,833 1/1991 Presman ..... D23/213

**1 Claim, 4 Drawing Sheets**



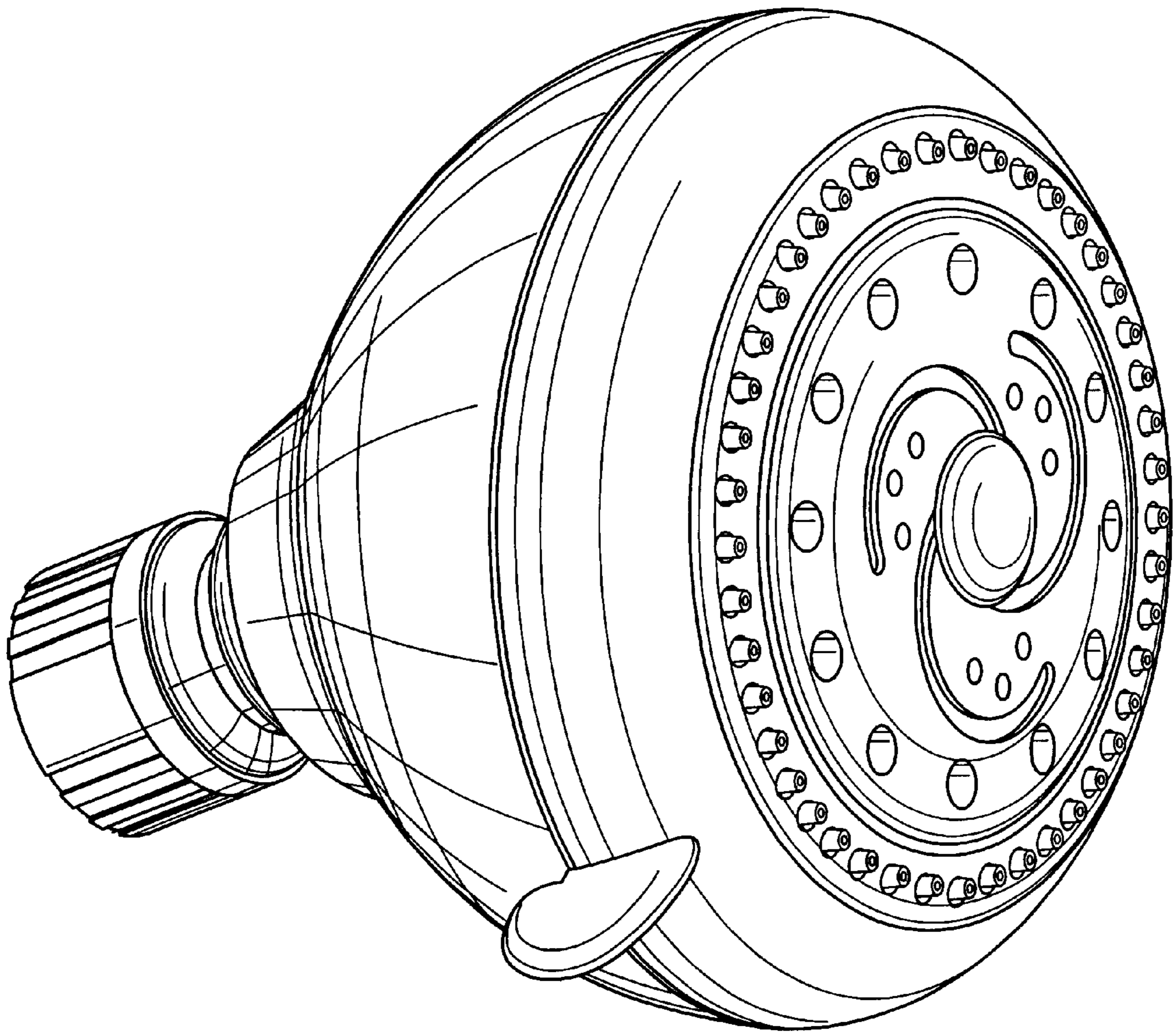


FIG. 1

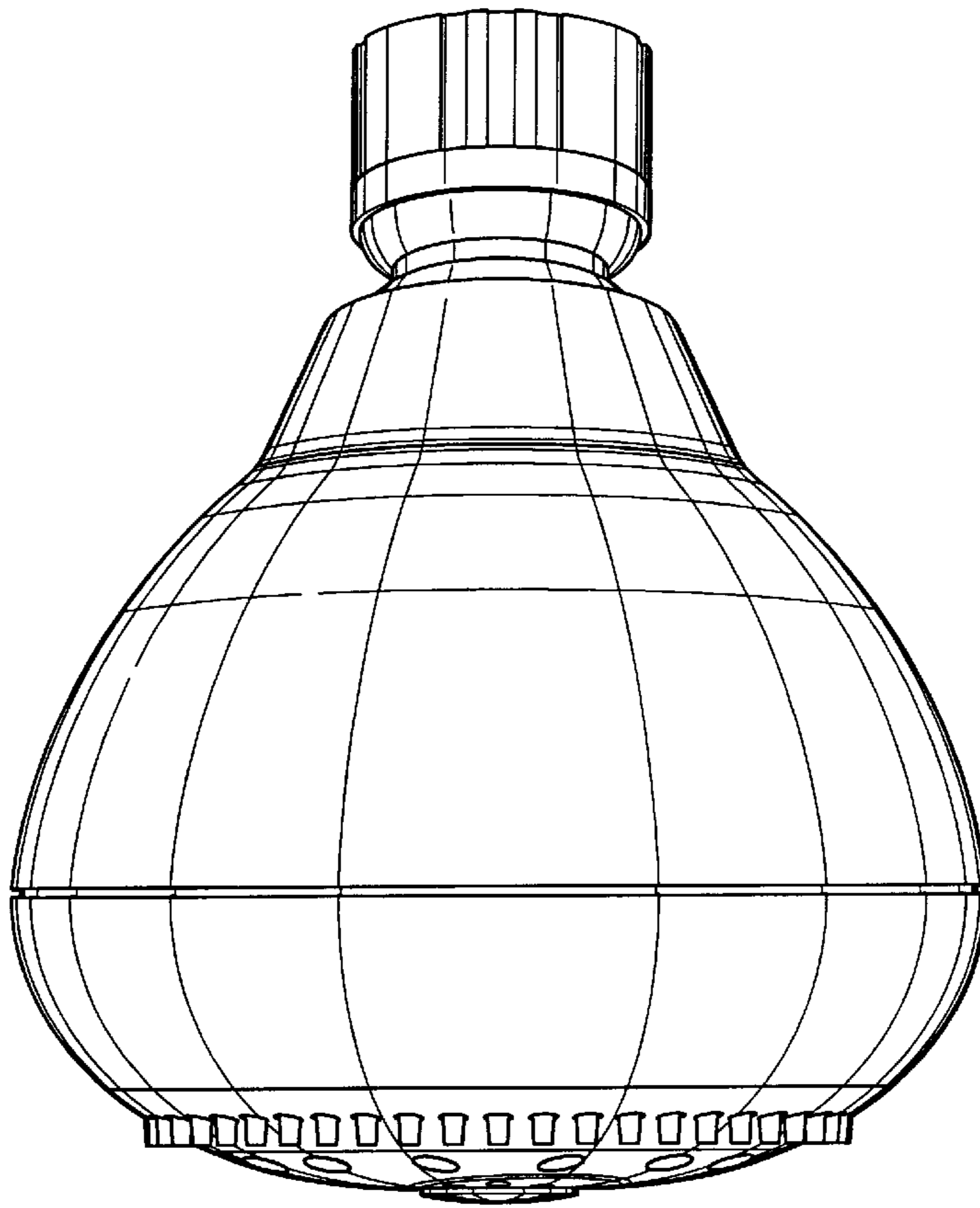


FIG. 3

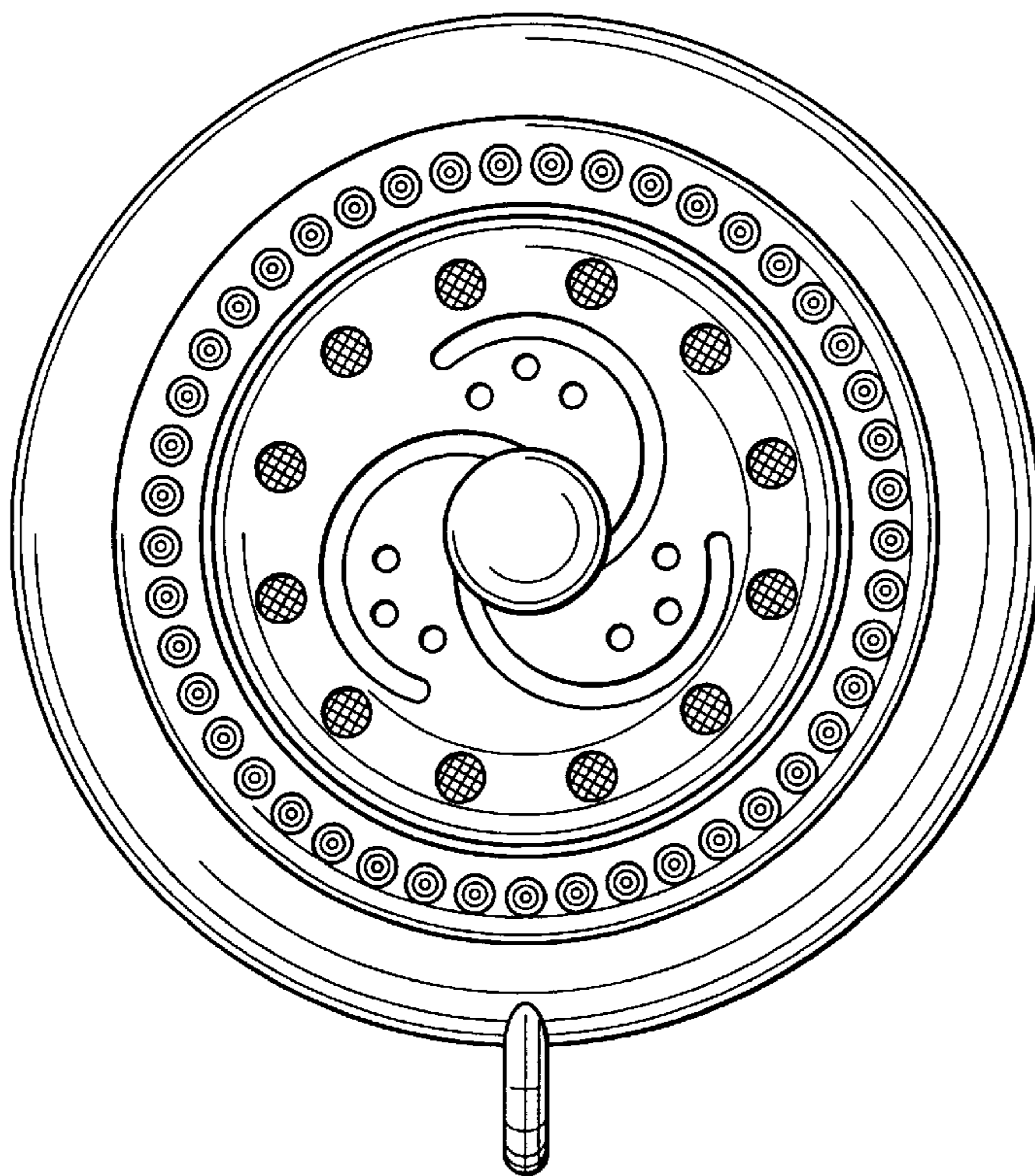


FIG. 2

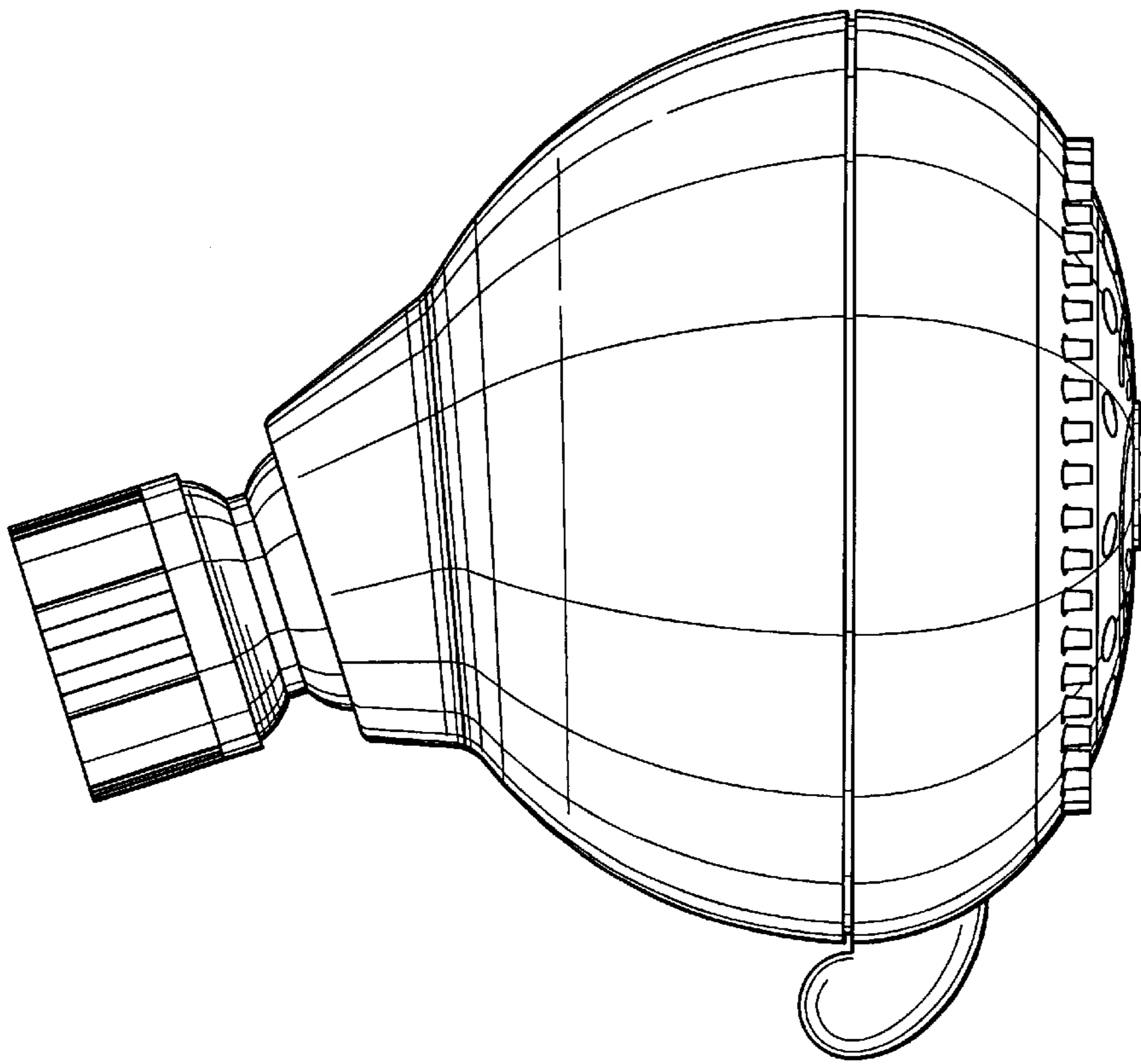


FIG. 4

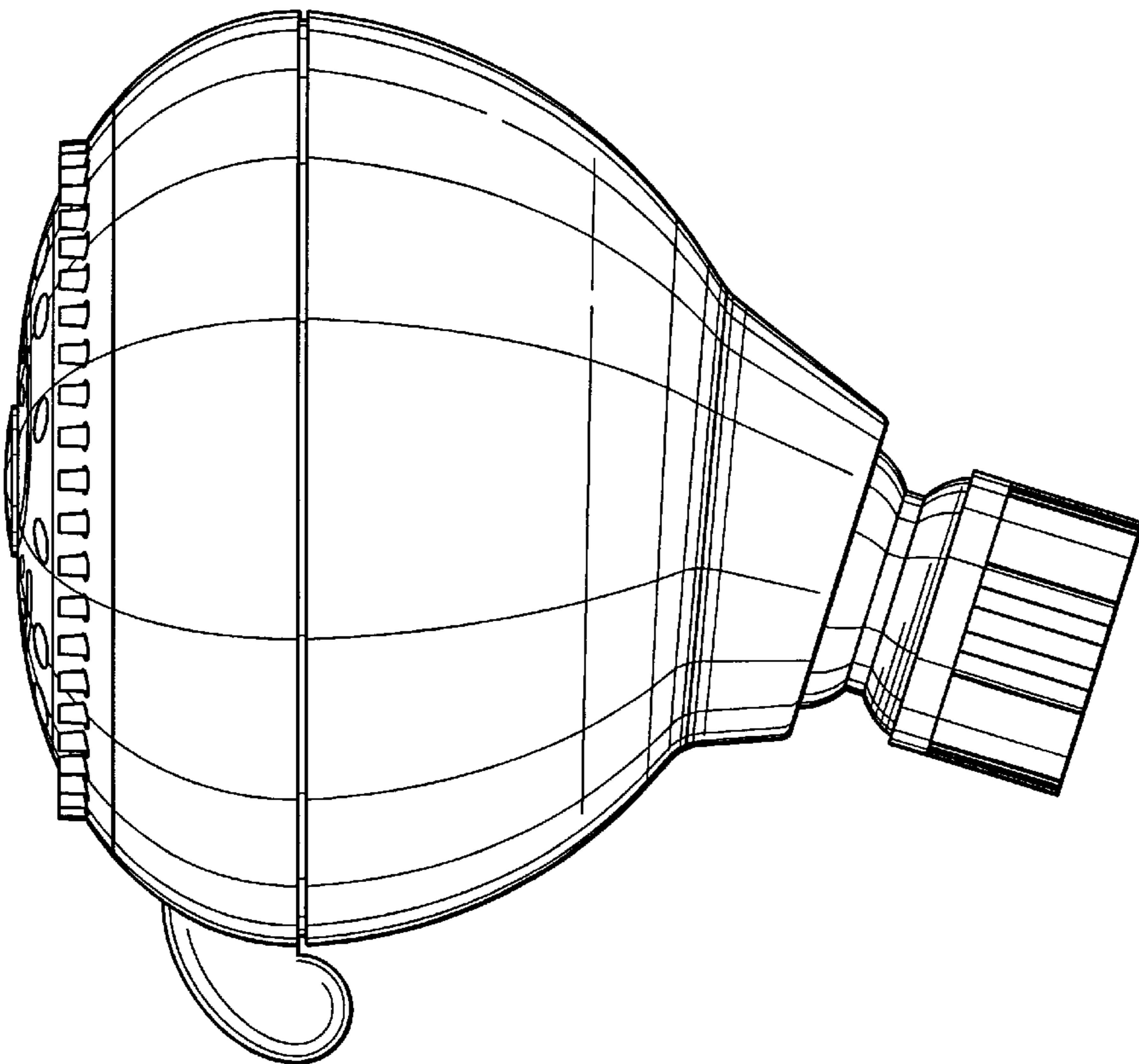


FIG. 5

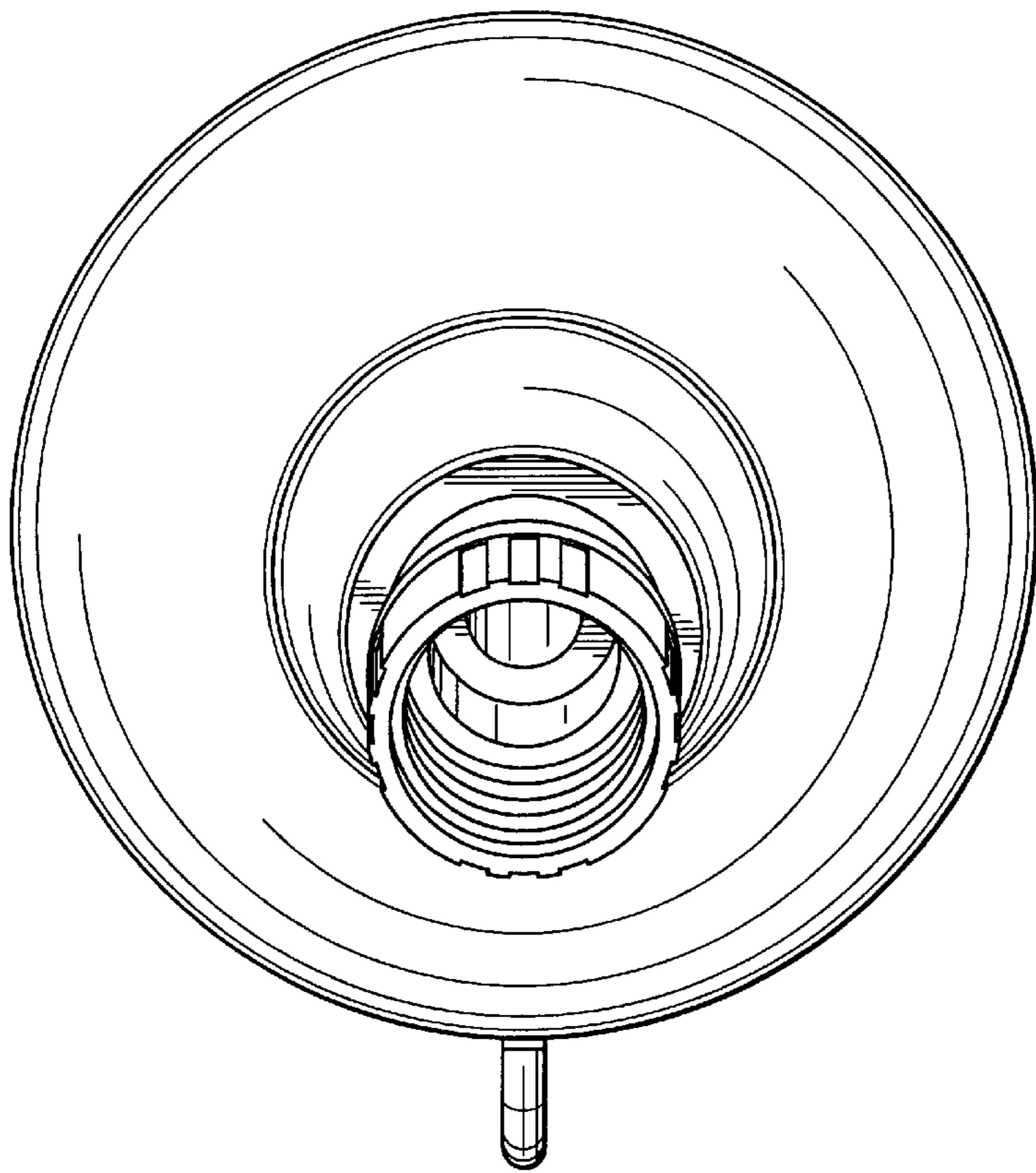


FIG. 6

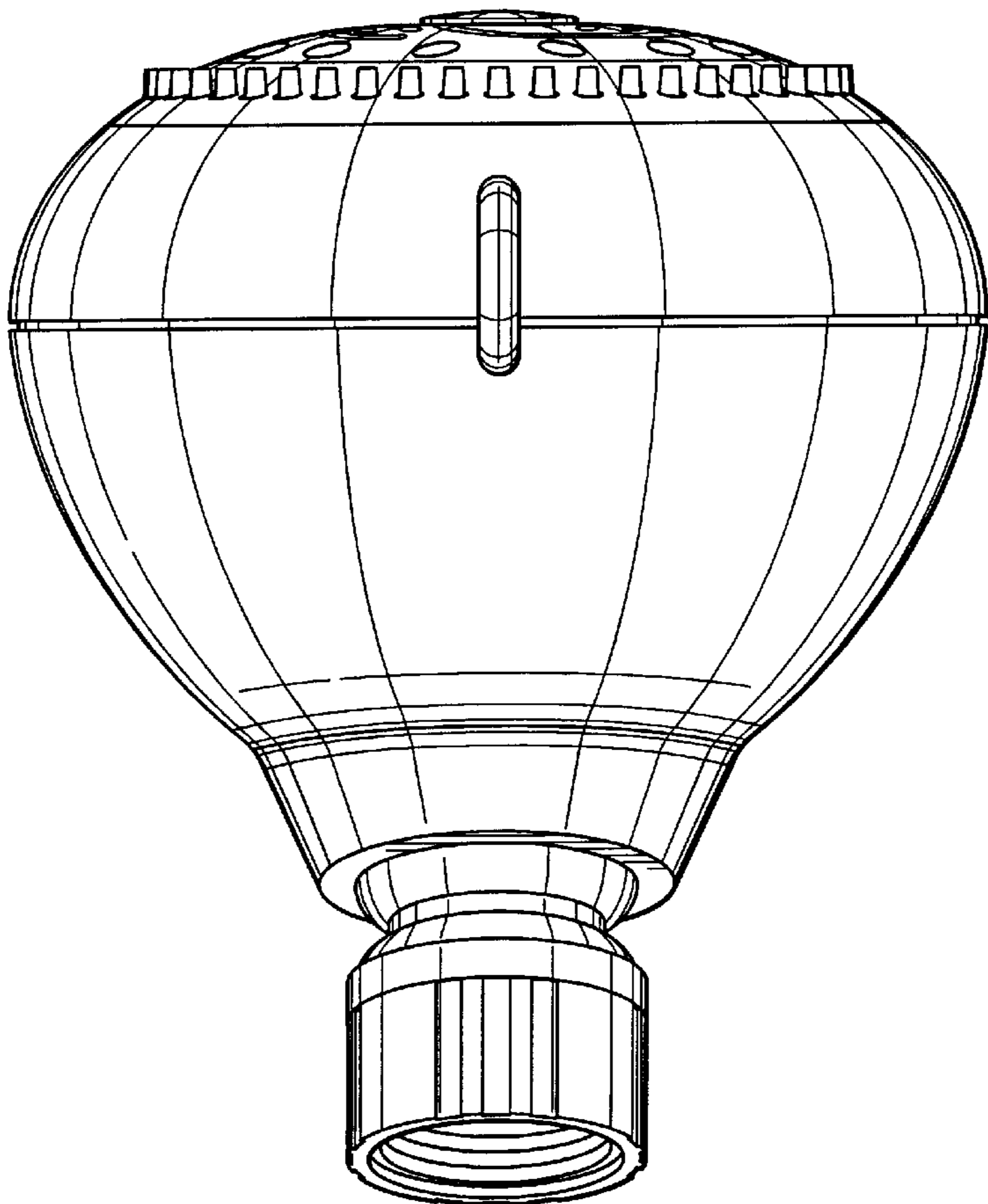


FIG. 7