



US00D432208S

United States Patent [19]

[11] **Patent Number: Des. 432,208**

Beaver et al.

[45] **Date of Patent: ** Oct. 17, 2000**

[54] **SPRAYER SYSTEM**

[75] Inventors: **Larry Gene Beaver**, Lake Park; **Edwin Frank Hoff, Jr.**; **Allan Steven Las**, both of Valdosta; **Edward Francis Nichenko**, Hahira; **Terrie Jo Pellitteri**, Valdosta, all of Ga.; **Mark T. MacLean-Blevins**, Westminster; **Donald Patrick Reilly**, Baltimore City, both of Md.; **Craig Stephen Ketcham**, Somerset, Pa.

[73] Assignee: **Griffin LLC**, Valdosta, Ga.

[**] Term: **14 Years**

[21] Appl. No.: **29/111,906**

[22] Filed: **Oct. 6, 1999**

[51] **LOC (7) Cl.** **23-01**

[52] **U.S. Cl.** **D23/225**

[58] **Field of Search** D23/213, 225;
D8/1; 239/310, 312, 314, 316-8

[56] **References Cited**

U.S. PATENT DOCUMENTS

D. 235,063	5/1975	Gunzel	D23/225
D. 295,214	4/1988	Miller	D23/225
D. 297,350	8/1988	Kille	D23/225

(List continued on next page.)

OTHER PUBLICATIONS

Green Garden, Inc., Lawn & Garden Accessories, "Hose End Sprayers," brochure, 4 pages.
Five pages of photocopy of bottle of Armor All E-Z Spray Window Wash.

U.S. application No. 09/236,142 filed Jan. 22, 1999.
U.S. Design Patent Application Serial No. 29/111,582 filed Sep. 30, 1999.
U.S. Design Patent Application Serial No. 29/111,583 filed Sep. 30, 1999.
U.S. Design Patent Application Serial No. 29/112,165 filed Oct. 8, 1999.
U.S. Design Patent Application Serial No. 29/111,586 filed Sep. 30, 1999.
U.S. Design Patent Application Serial No. 29/111,587 filed Sep. 30, 1999.
U.S. Design Patent Application Serial No. 29/111,585 filed Sep. 30, 1999.
U.S. Design Patent Application Serial No. 29/111,584 filed Sep. 30, 1999.

Primary Examiner—Robin V. Taylor
Attorney, Agent, or Firm—Jones & Askew LLP

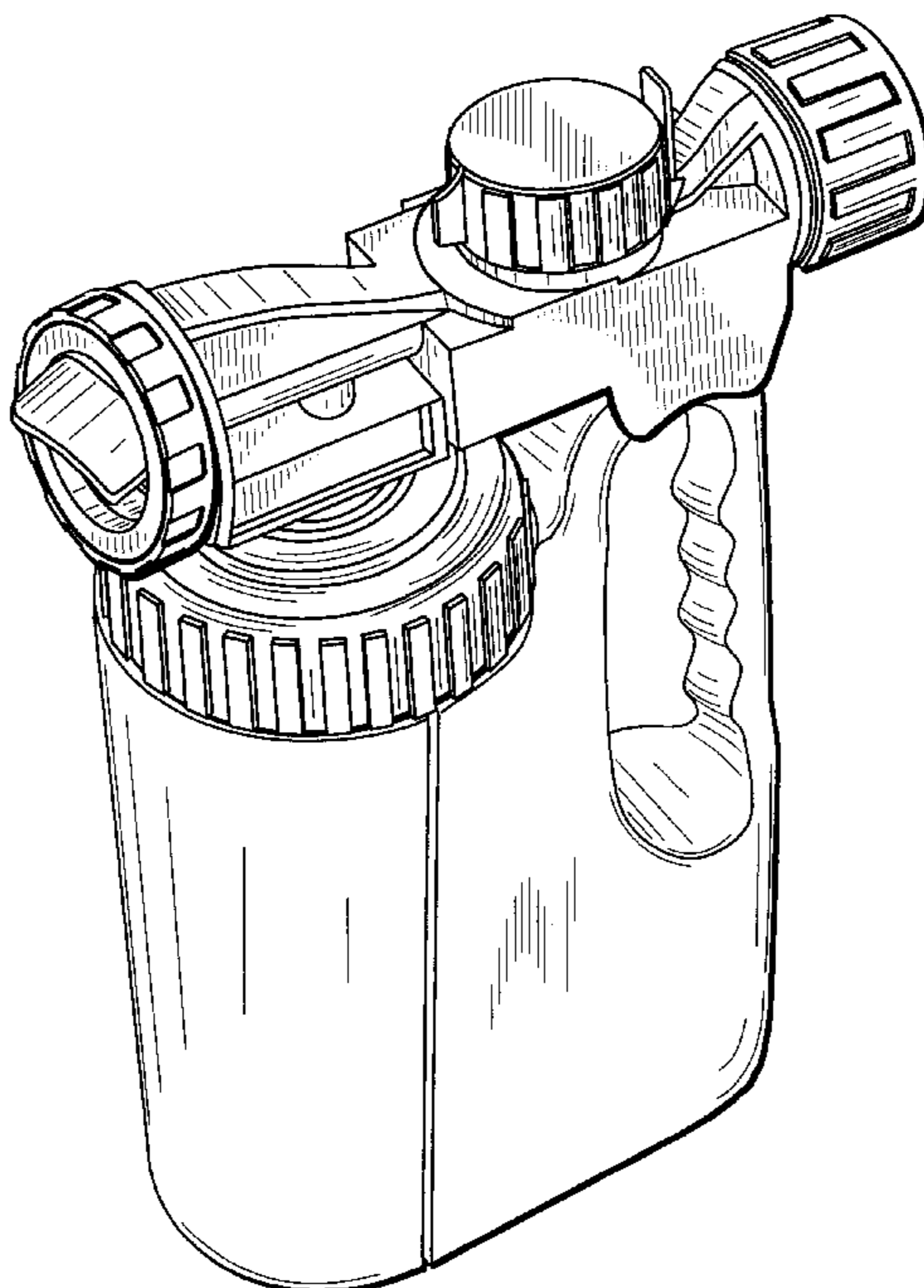
[57] **CLAIM**

The ornamental design for a sprayer system, as shown.

DESCRIPTION

FIG. 1 is a perspective view of our new sprayer system; FIG. 2 is a left side view of the sprayer system shown in FIG. 1; FIG. 3 is a right view of the sprayer system shown in FIG. 1; FIG. 4 is a front view of the sprayer system shown in FIG. 1; FIG. 5 is a rear view of the sprayer system shown in FIG. 1; FIG. 6 is a top plan view of the sprayer system shown in FIG. 1; and, FIG. 7 is a bottom plan view of the sprayer system shown in FIG. 1.

1 Claim, 5 Drawing Sheets



U.S. PATENT DOCUMENTS					
			5,213,265	5/1993	Englhard et al. .
			5,223,168	6/1993	Holt .
			5,290,470	3/1994	Dutcher .
			5,320,288	6/1994	Ketcham, Jr. .
			5,332,157	7/1994	Proctor .
			5,370,275	12/1994	Mills et al. .
			5,376,296	12/1994	Dutcher .
			5,383,603	1/1995	Englhard et al. .
			5,385,270	1/1995	Cataneo et al. .
			5,398,846	3/1995	Corba et al. .
			5,402,916	4/1995	Nottingham et al. .
			5,433,350	7/1995	Graubart .
			5,439,141	8/1995	Clark et al. .
			5,467,900	11/1995	Maas et al. .
			5,472,119	12/1995	Park et al. .
			5,535,950	7/1996	Barriac et al. .
			5,560,545	10/1996	Grogan et al. .
			5,562,250	10/1996	O'Neill .
			5,564,600	10/1996	Renault .
			5,566,860	10/1996	Schiltz et al. .
			5,567,247	10/1996	Hawes et al. .
			5,586,695	12/1996	Labus et al. .
			5,595,345	1/1997	Chura et al. .
			5,605,578	2/1997	Hawes et al. .
			5,626,259	5/1997	Maas et al. .
			5,676,280	10/1997	Robinson .
			5,676,282	10/1997	Satterfield .
			5,713,519	2/1998	Sandison et al. .
			5,735,422	4/1998	Binter .
D. 356,026	3/1995	Iaia et al. .			
2,646,063	7/1953	Hayes .			
3,104,813	9/1963	Baatrup .			
3,104,825	9/1963	Hayes .			
3,106,347	10/1963	Hayes .			
3,181,797	5/1965	Hayes .			
3,201,049	8/1965	Hayes .			
3,381,899	5/1968	Forsman .			
3,964,689	6/1976	Horvath	239/318		
4,057,505	11/1977	Nakagawa et al. .			
4,071,463	1/1978	Steinhauer .			
4,113,645	9/1978	DeSimone .			
4,116,851	9/1978	Rupe et al. .			
4,355,739	10/1982	Vierkotter .			
4,489,890	12/1984	Martin .			
4,527,741	7/1985	Garneau .			
4,570,856	2/1986	Groth et al. .			
4,618,077	10/1986	Corsette .			
4,747,523	5/1988	Dobbs .			
4,789,495	12/1988	Cahall et al. .			
4,801,046	1/1989	Miczka .			
4,806,263	2/1989	Leathers et al. .			
4,964,539	10/1990	Mueller .			
5,009,342	4/1991	Lawrence et al. .			
5,039,016	8/1991	Gunzel, Jr. et al. .			
5,052,590	10/1991	Ratcliff .			
5,100,059	3/1992	Englhard et al. .			
5,143,261	9/1992	Drobish .			
5,152,461	10/1992	Proctor .			

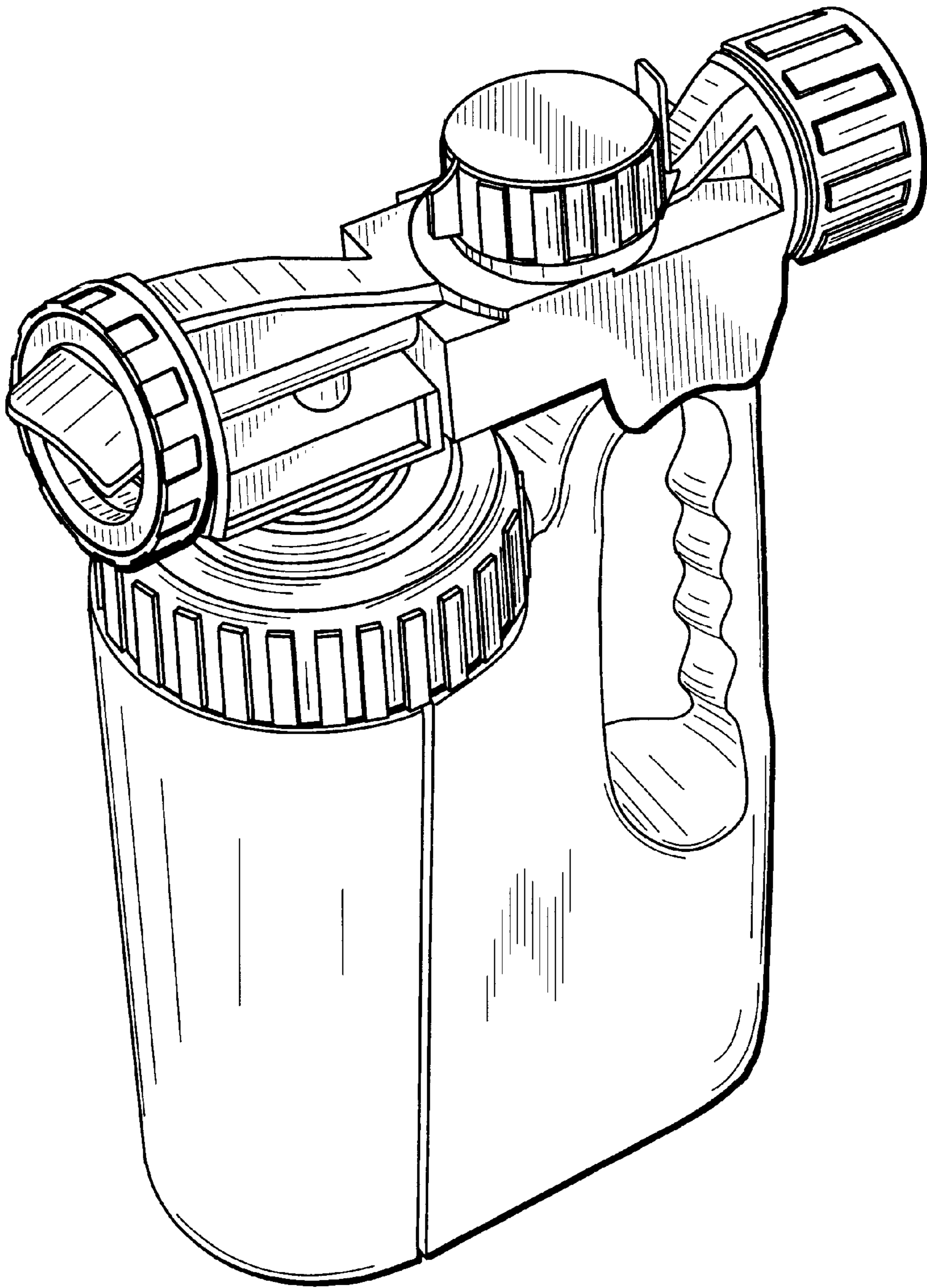


FIG. 1

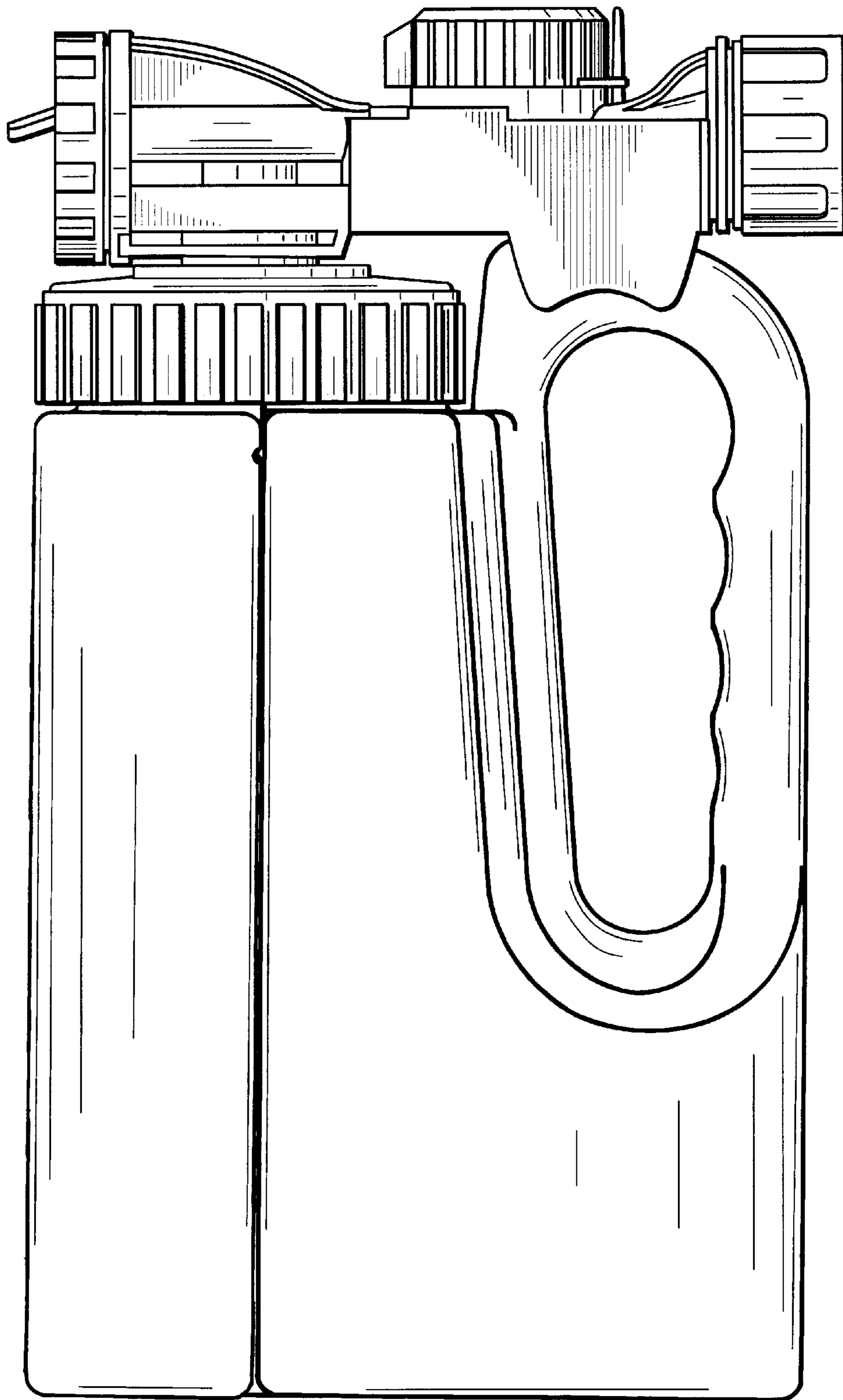


FIG. 2

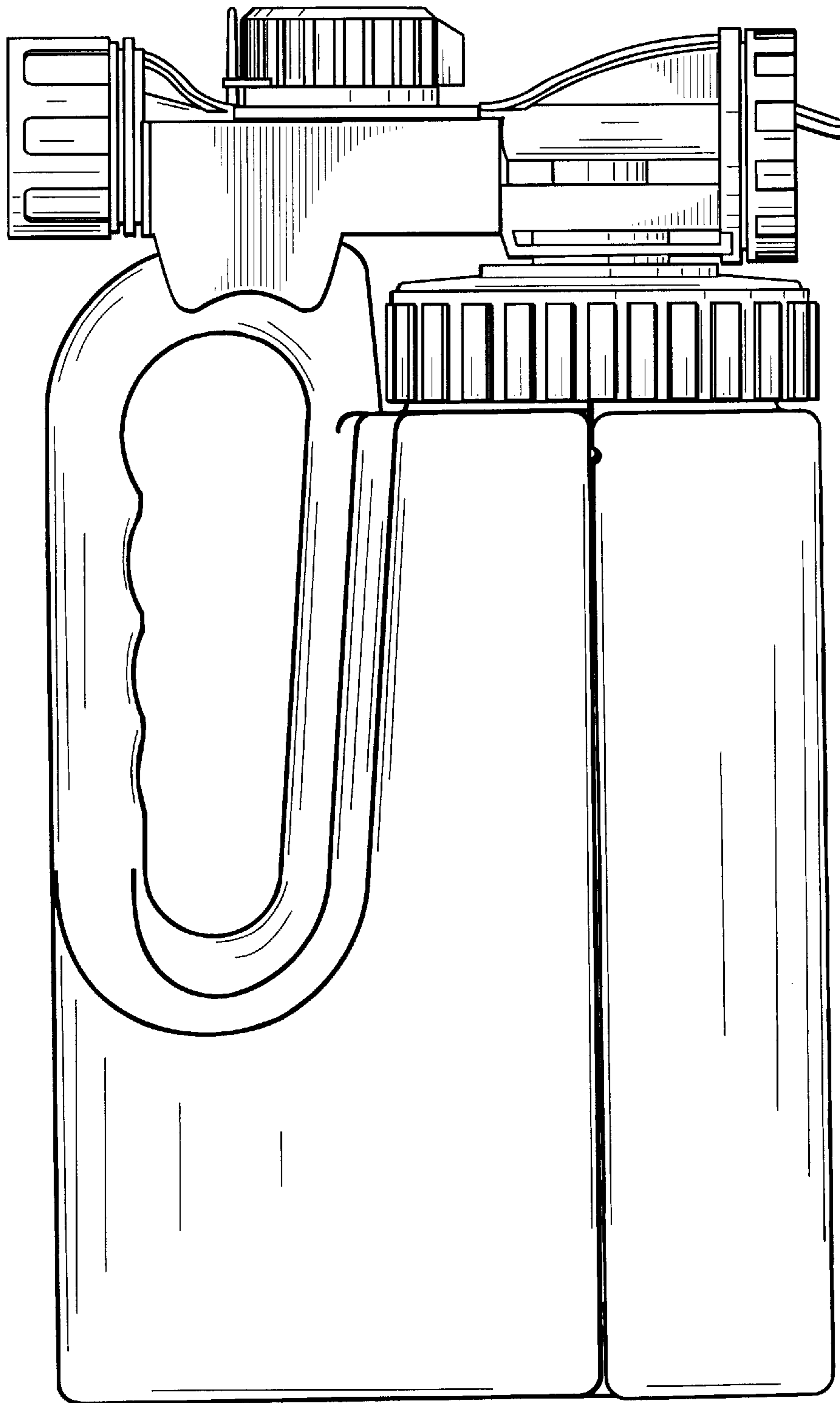


FIG. 3

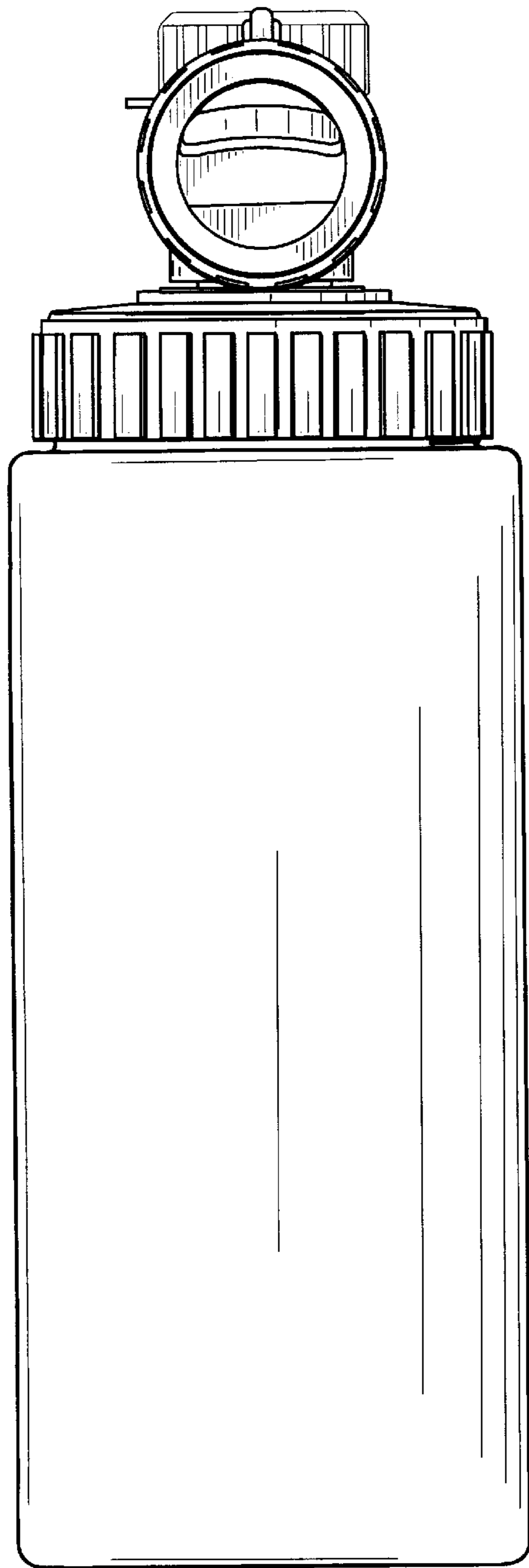


FIG. 4

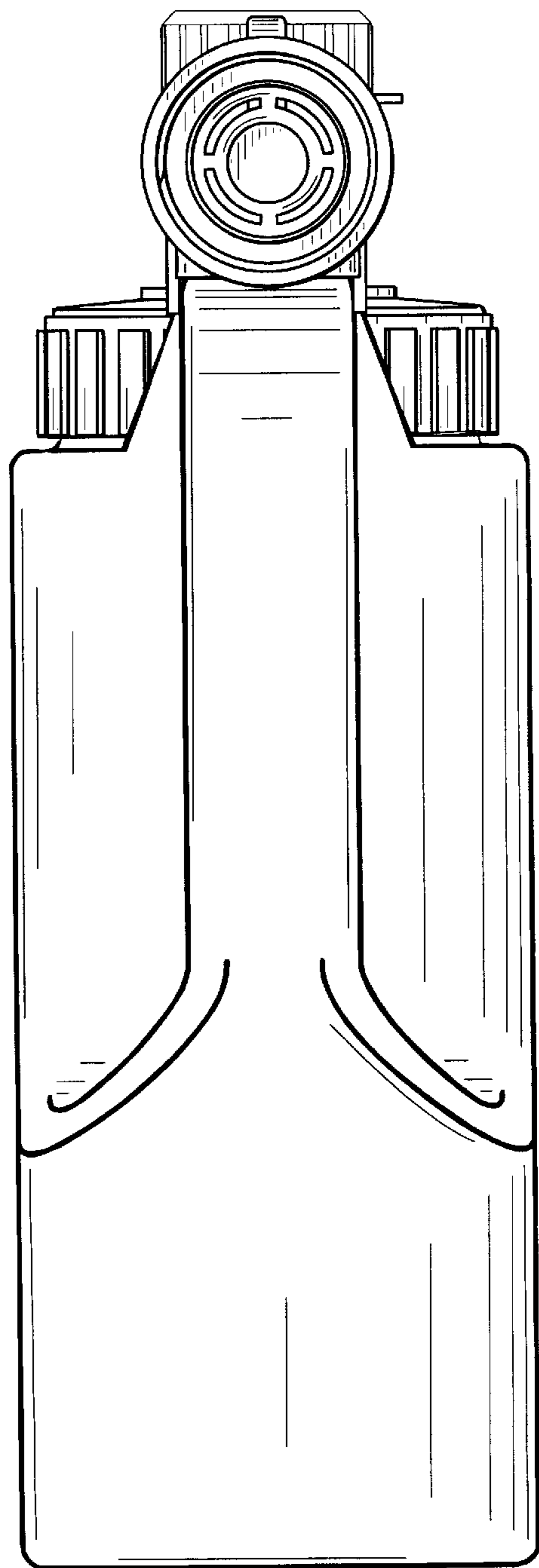


FIG. 5

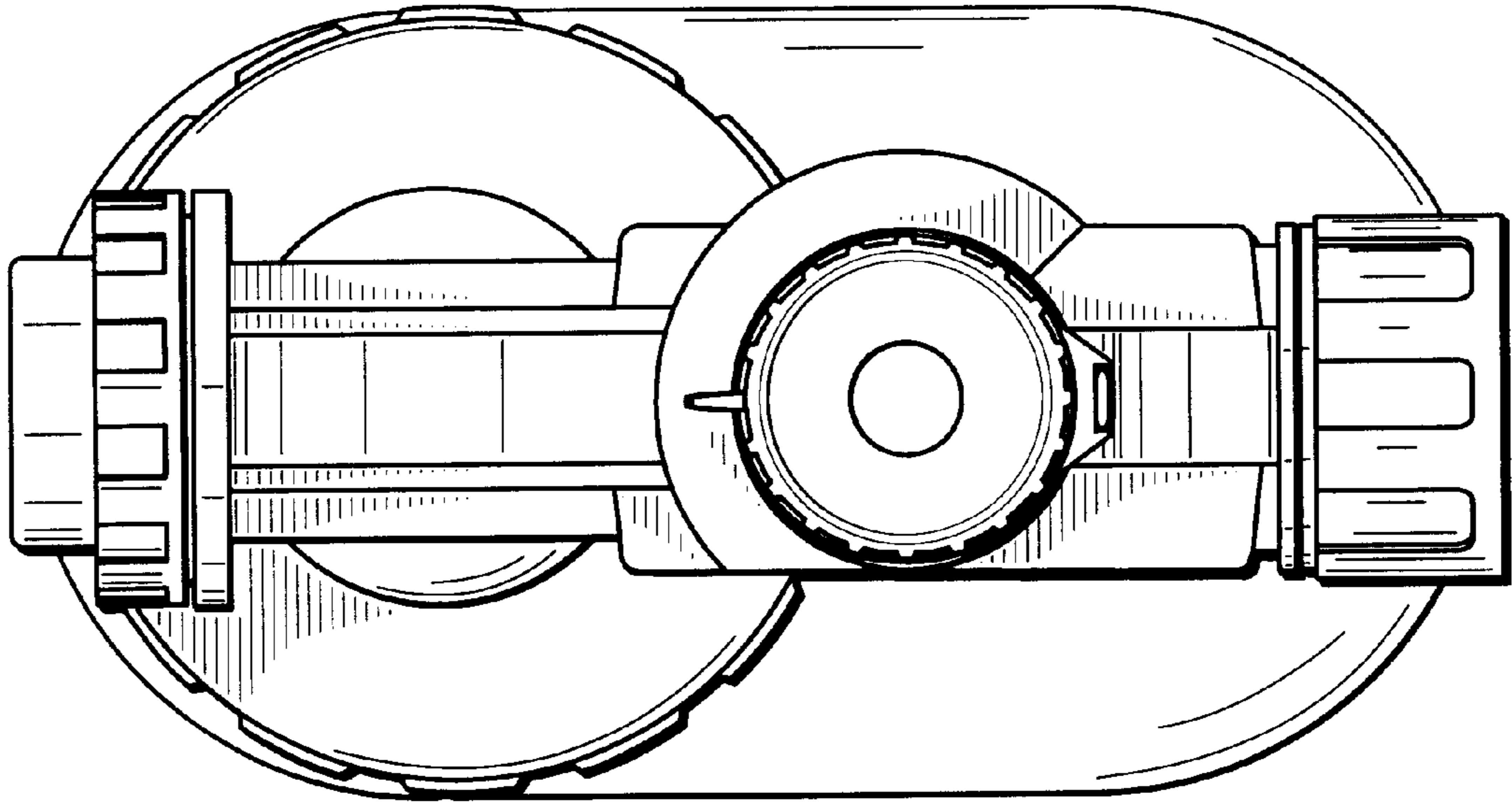


FIG. 6

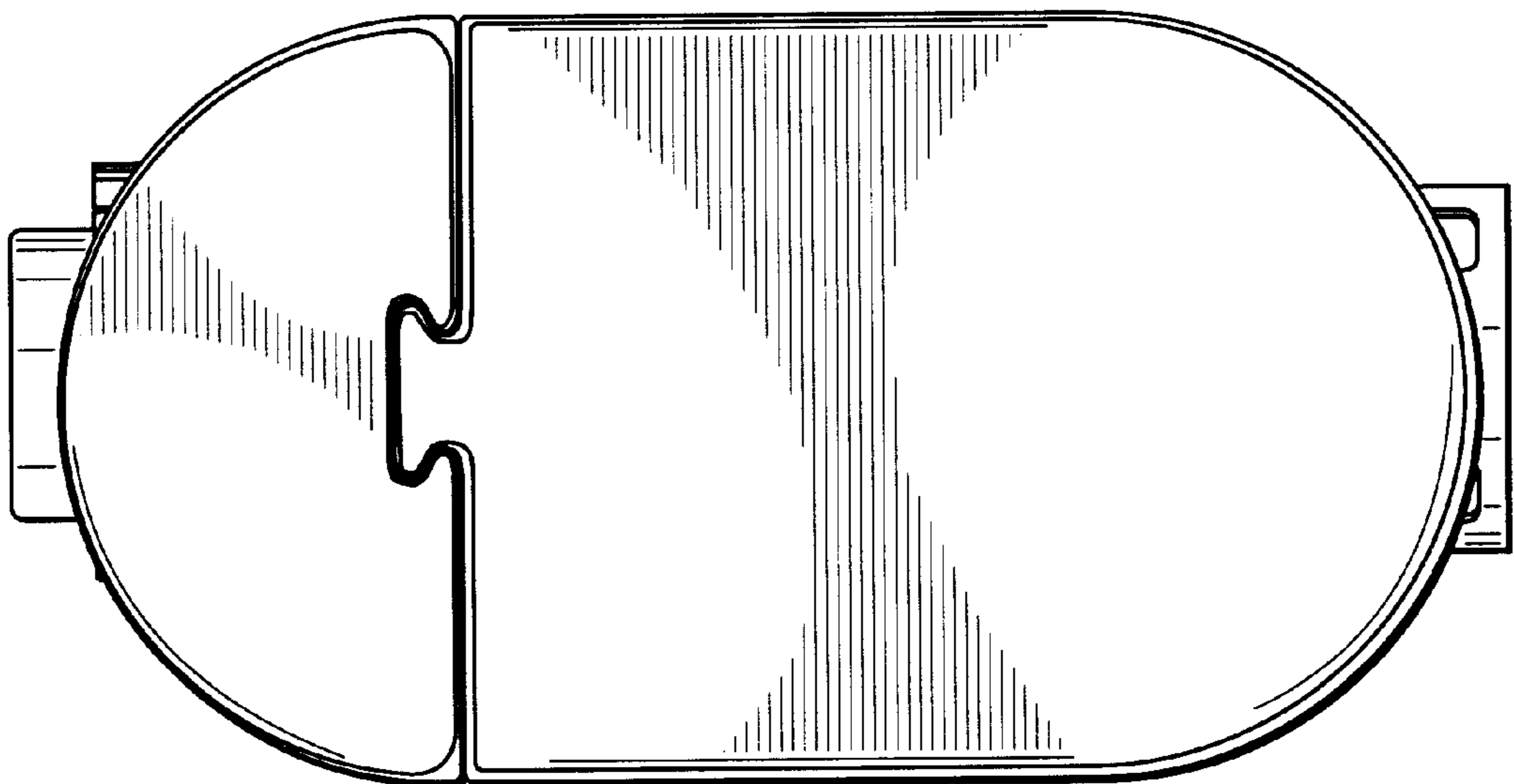


FIG. 7