

US00D432207S

United States Patent [19]

[11] **Patent Number: Des. 432,207**

Hsin-Fa

[45] **Date of Patent: ** Oct. 17, 2000**

[54] **HORTICULTURE SPRAY SEAT**

D. 295,213 4/1988 Hattori D23/221
D. 412,556 8/1999 Hsin-Fa D23/214

[76] Inventor: **Wang Hsin-Fa**, No. 68, Mou Tan Lane,
Shao An Li Lu Kang Town, Chang Hua
Hien, Taiwan

Primary Examiner—Robin V. Taylor
Attorney, Agent, or Firm—Harrison & Egbert

[**] Term: **14 Years**

[57] **CLAIM**

[21] Appl. No.: **29/117,359**

I claim the ornamental design for a horticulture spray seat,
as shown and described.

[22] Filed: **Jan. 24, 2000**

DESCRIPTION

[51] **LOC (7) Cl.** **23-01**

FIG. 1 is an upper perspective view of a horticulture spray
seat showing my design.

[52] **U.S. Cl.** **D23/221; D23/214**

FIG. 2 is a front view thereof;

[58] **Field of Search** D23/213, 214,
D23/215, 219, 221; 239/273, 276, 279

FIG. 3 is a back view thereof;

FIG. 4 is a side view thereof;

[56] **References Cited**

FIG. 5 is an opposite side view thereof;

U.S. PATENT DOCUMENTS

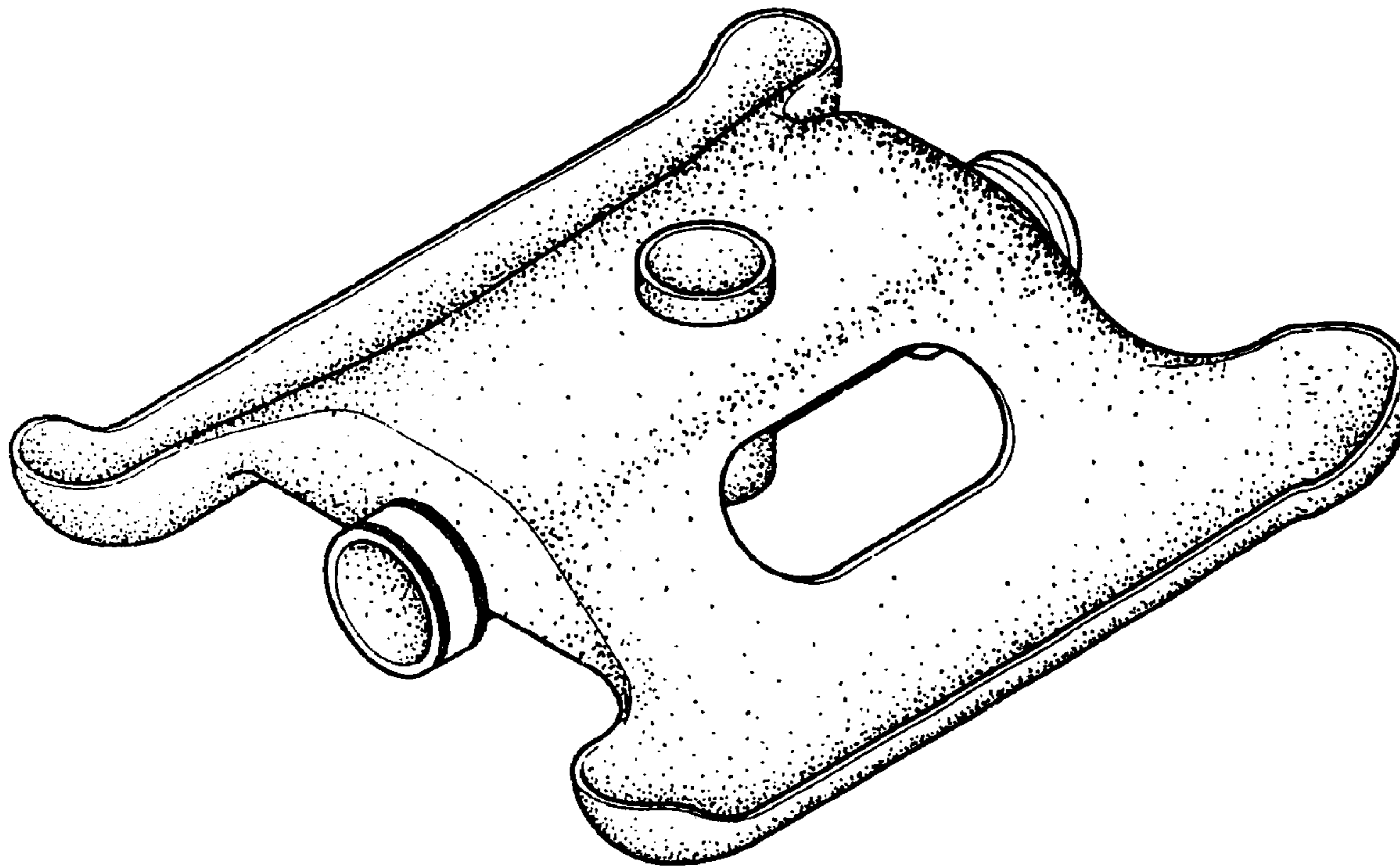
FIG. 6 is a top view thereof; and,

FIG. 7 is a bottom view thereof.

D. 151,772 11/1948 Kemp D23/221

D. 243,239 2/1977 Hutton et al. D23/221

1 Claim, 4 Drawing Sheets



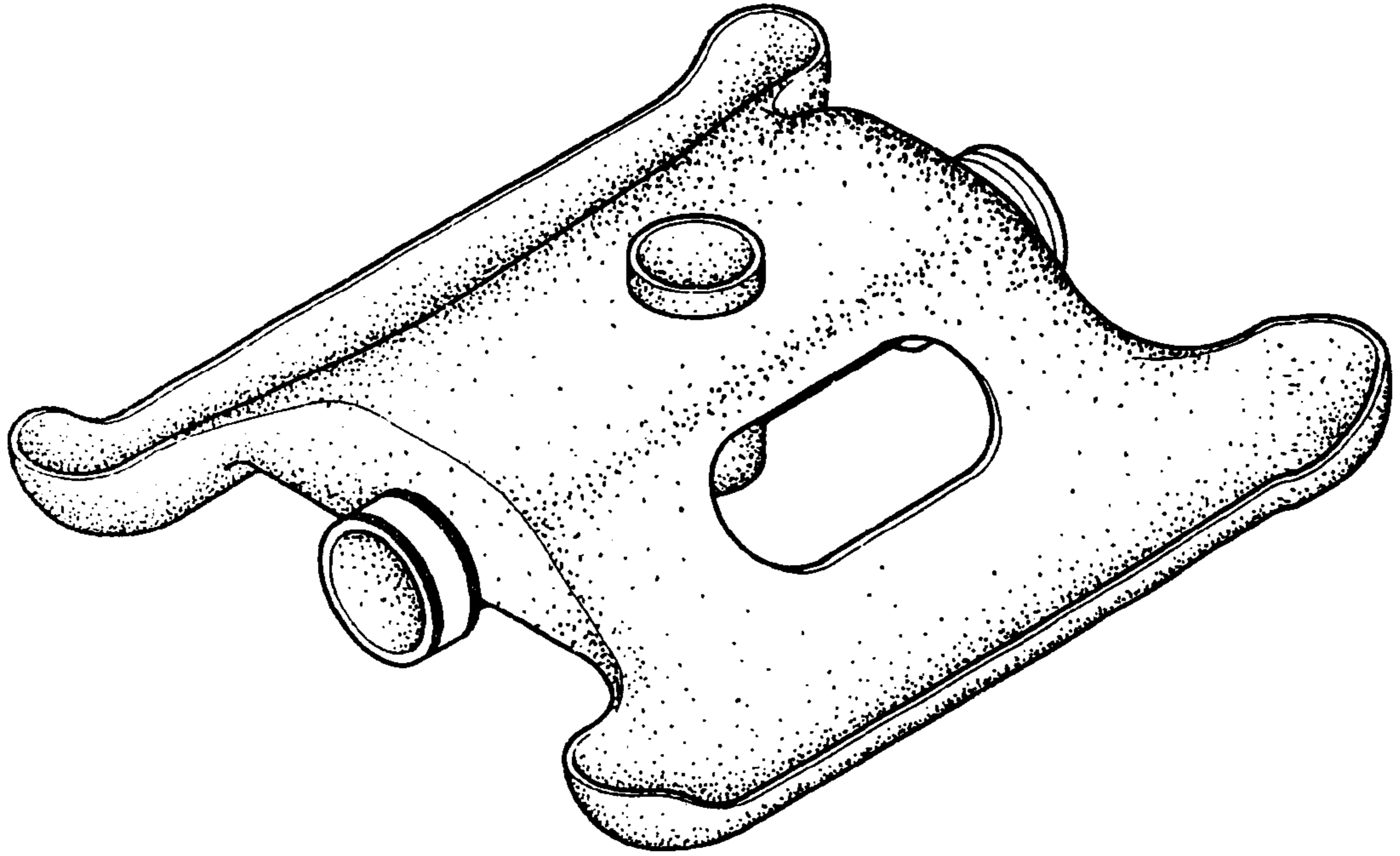


FIG. 1

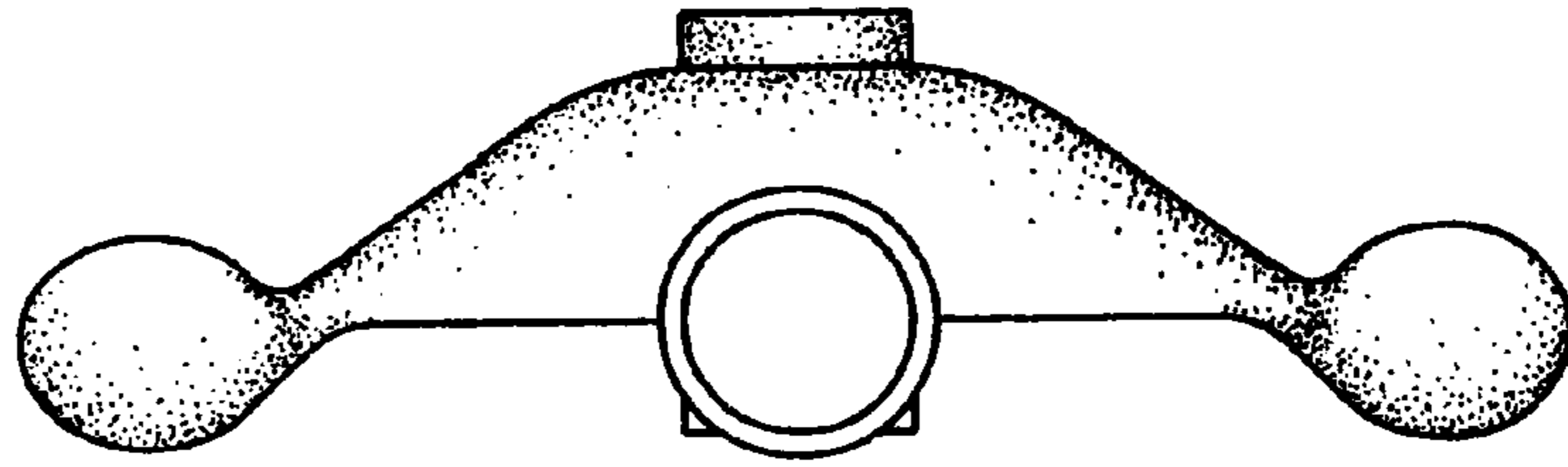


FIG. 2

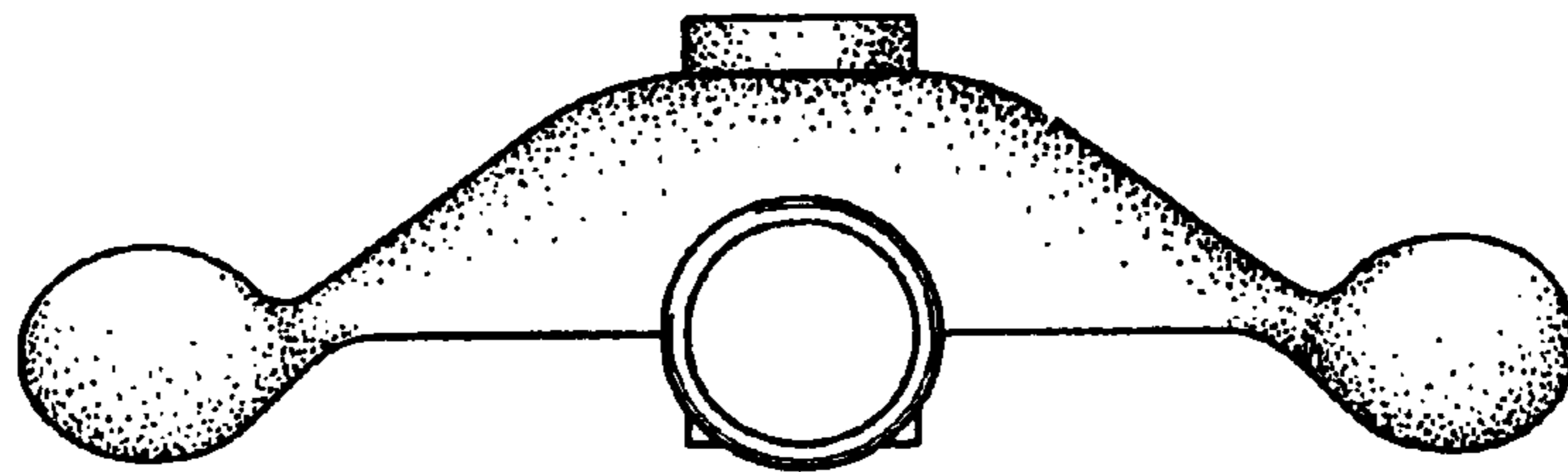


FIG. 3

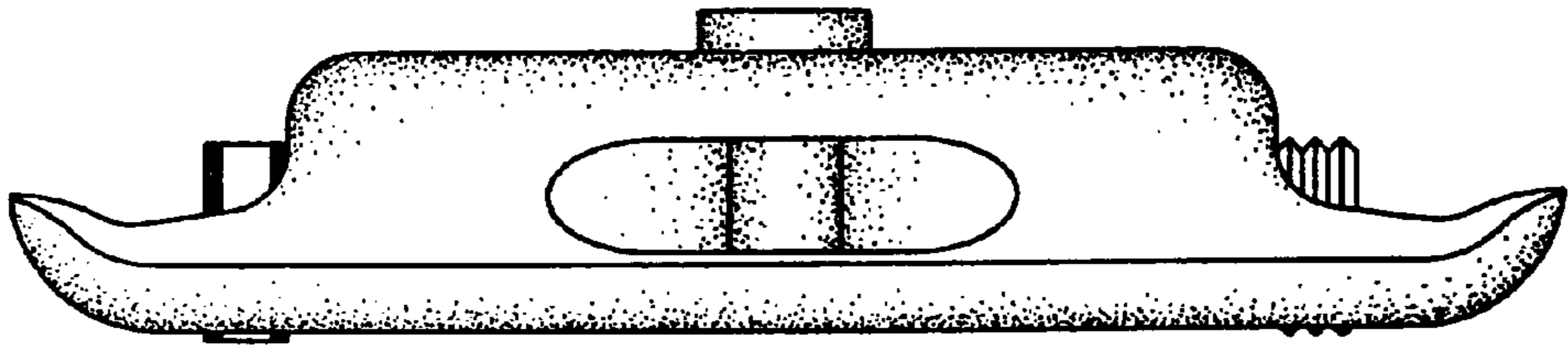


FIG. 4

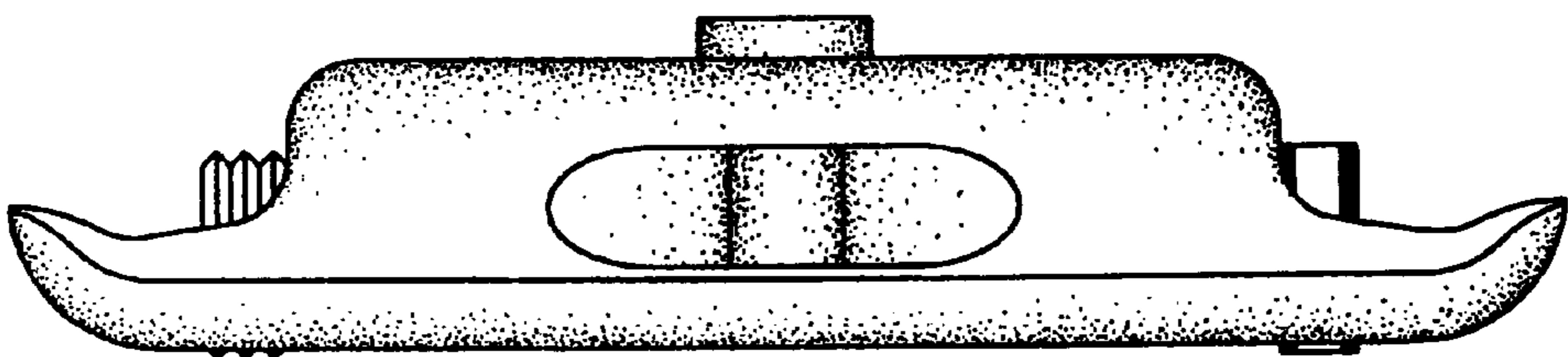


FIG. 5

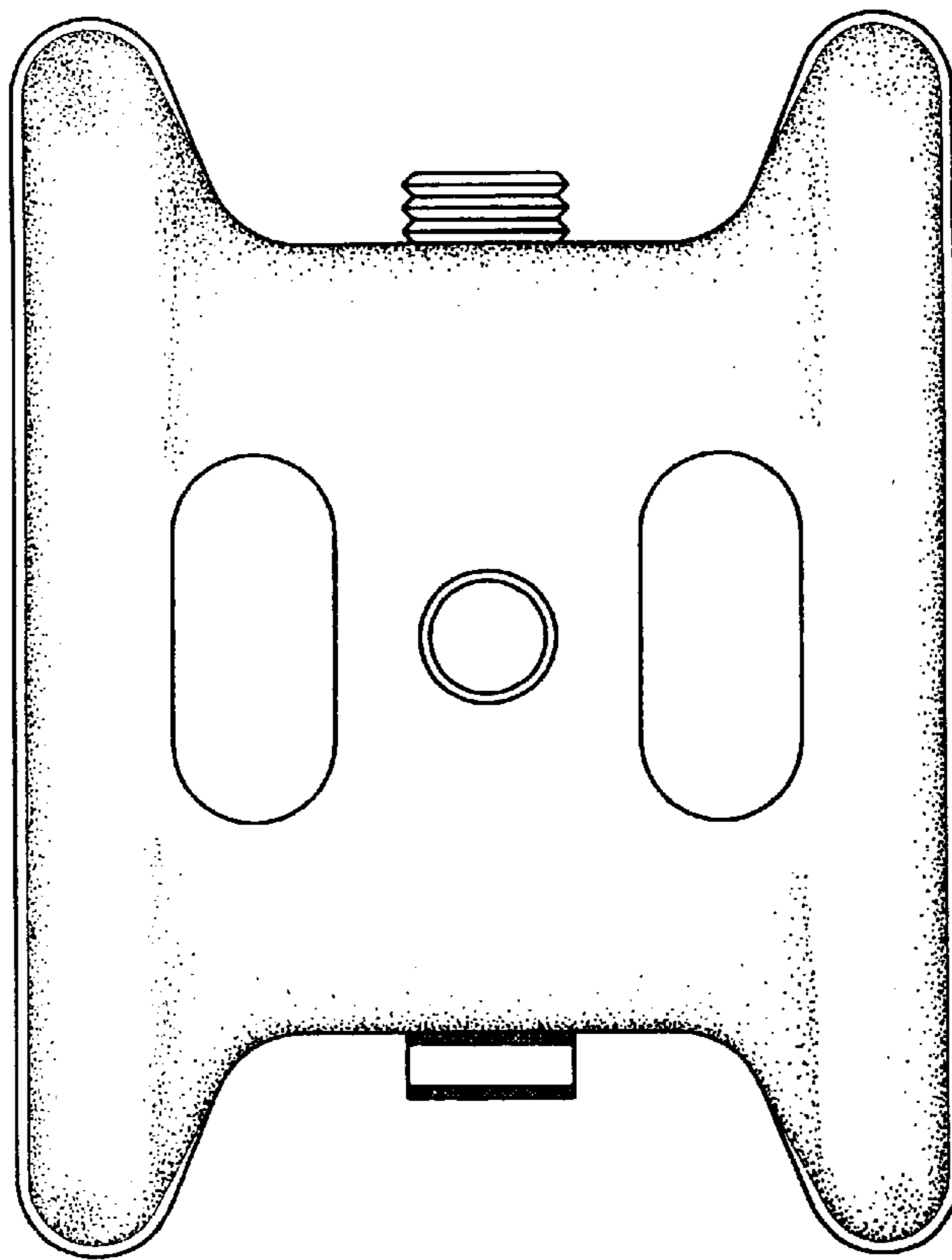


FIG. 6

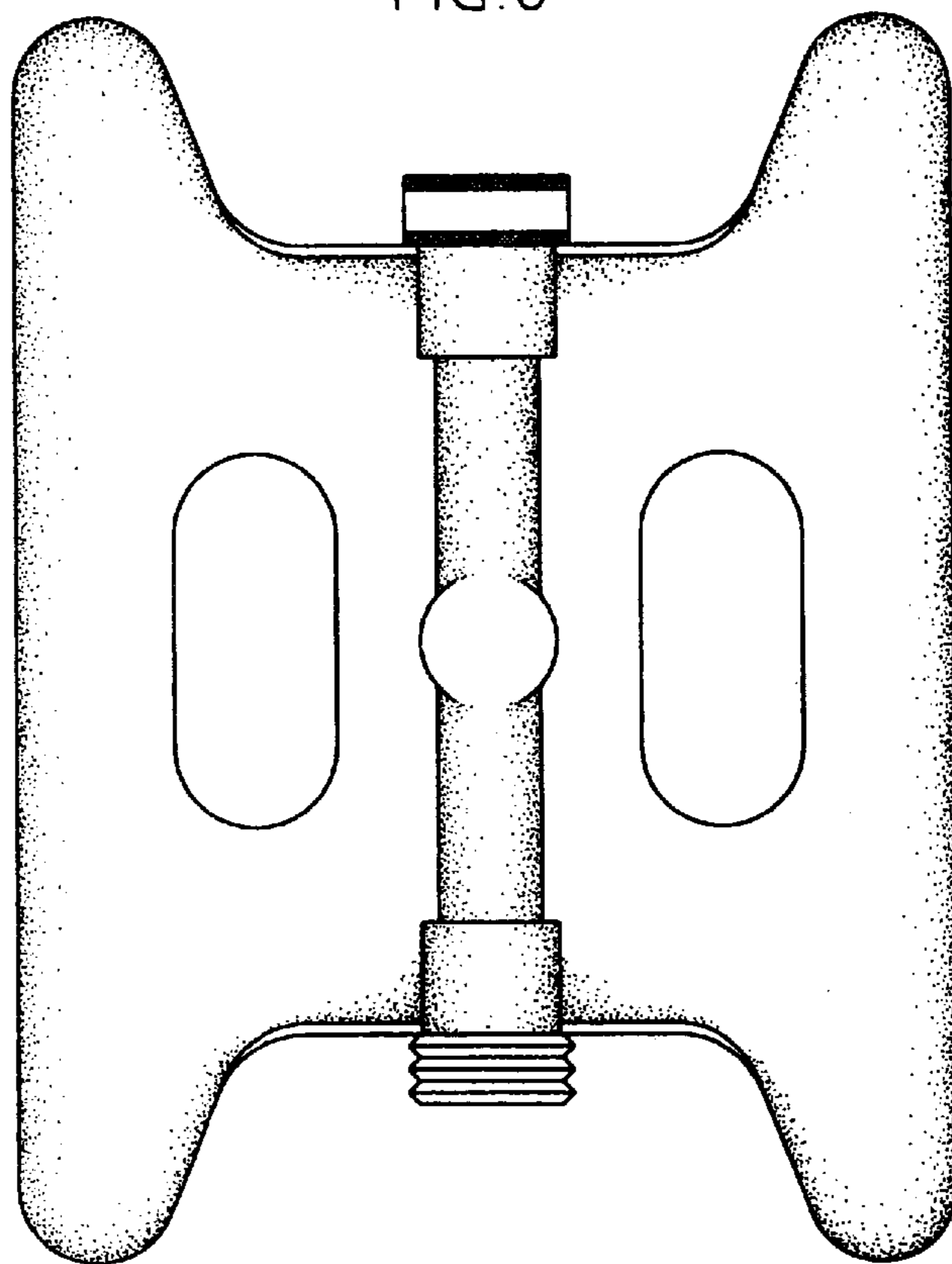


FIG. 7