



US00D432206S

United States Patent [19]
Stoltz et al.

[11] **Patent Number: Des. 432,206**

[45] **Date of Patent: ** Oct. 17, 2000**

[54] **FLOATING SKIMMER**

[75] Inventors: **Gerhardus J. Stoltz**, San Diego;
Andrew Zoolakis, Carlsbad, both of
Calif.

[73] Assignee: **Polaris Pool Systems, Inc.**, Vista, Calif.

[**] Term: **14 Years**

[21] Appl. No.: **29/116,689**

[22] Filed: **Jan. 6, 2000**

[51] **LOC (7) Cl.** **23-01**

[52] **U.S. Cl.** **D23/209; D23/210**

[58] **Field of Search** **D23/207, 209,**
D23/210; 210/242.1, 169

[56] **References Cited**

U.S. PATENT DOCUMENTS

D. 413,649	9/1999	King	D23/209
3,688,909	9/1972	Titus et al.	.	
3,758,276	9/1973	Bond et al.	210/242.1
3,928,202	12/1975	Raubenheimer	.	
3,970,556	7/1976	Gore	.	
4,105,557	8/1978	Weatherholt	.	
4,454,035	6/1984	Stefan	210/242.1
4,746,424	5/1988	Drew	.	

4,802,592	2/1989	Wessels	.	
4,889,622	12/1989	Newcombe-Bond	.	
5,133,854	7/1992	Horvath	.	
5,143,605	9/1992	Masciarelli	.	
5,275,721	1/1994	Mathews	210/169
5,498,348	3/1996	Plink et al.	.	

Primary Examiner—Robin V. Taylor
Attorney, Agent, or Firm—Kelly Bauersfeld Lowry & Kelley, LLP

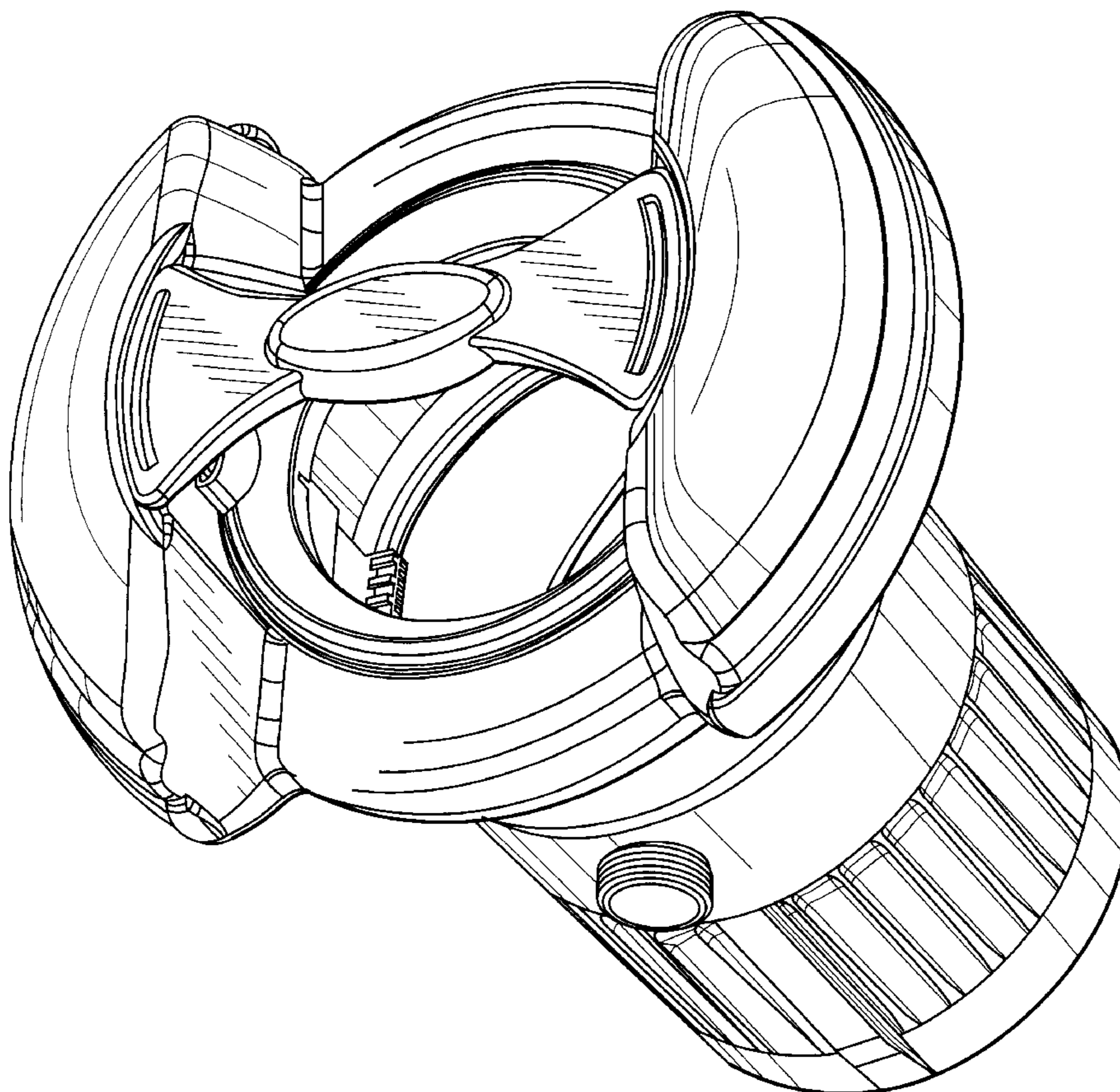
[57] **CLAIM**

The ornamental design for a floating skimmer, as shown and described.

DESCRIPTION

FIG. 1 is a perspective view showing the top, front and left sides of a floating skimmer embodying the new design; FIG. 2 is a front side elevation view thereof, the rear side elevation being a mirror image of the front side as shown; FIG. 3 is a left side elevation view thereof; FIG. 4 is a right side elevation view thereof; FIG. 5 is a top plan view thereof; FIG. 6 is a bottom plan view thereof; and, FIG. 7 is a perspective view showing the bottom and front sides thereof.

1 Claim, 7 Drawing Sheets



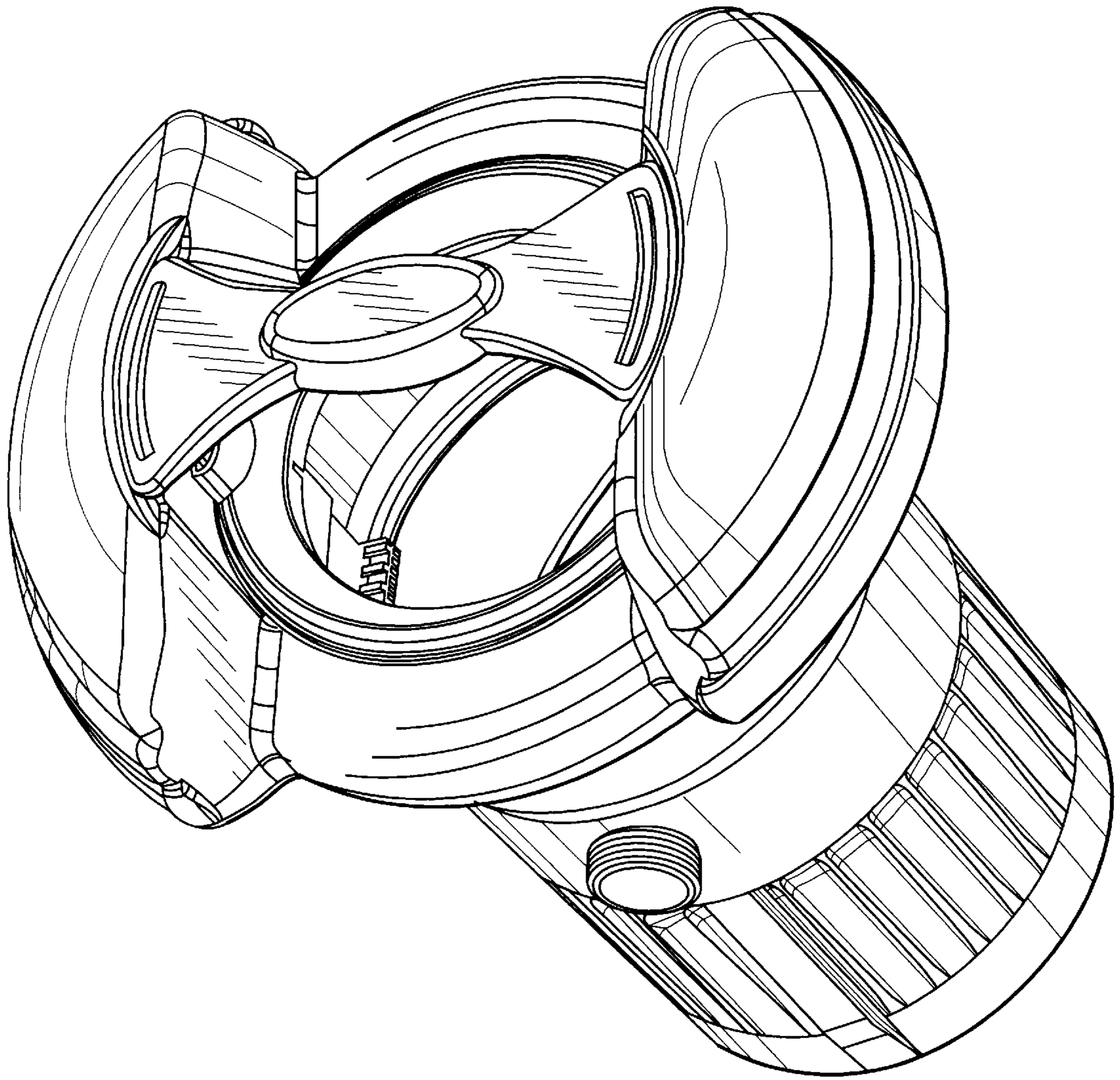


FIG. 1

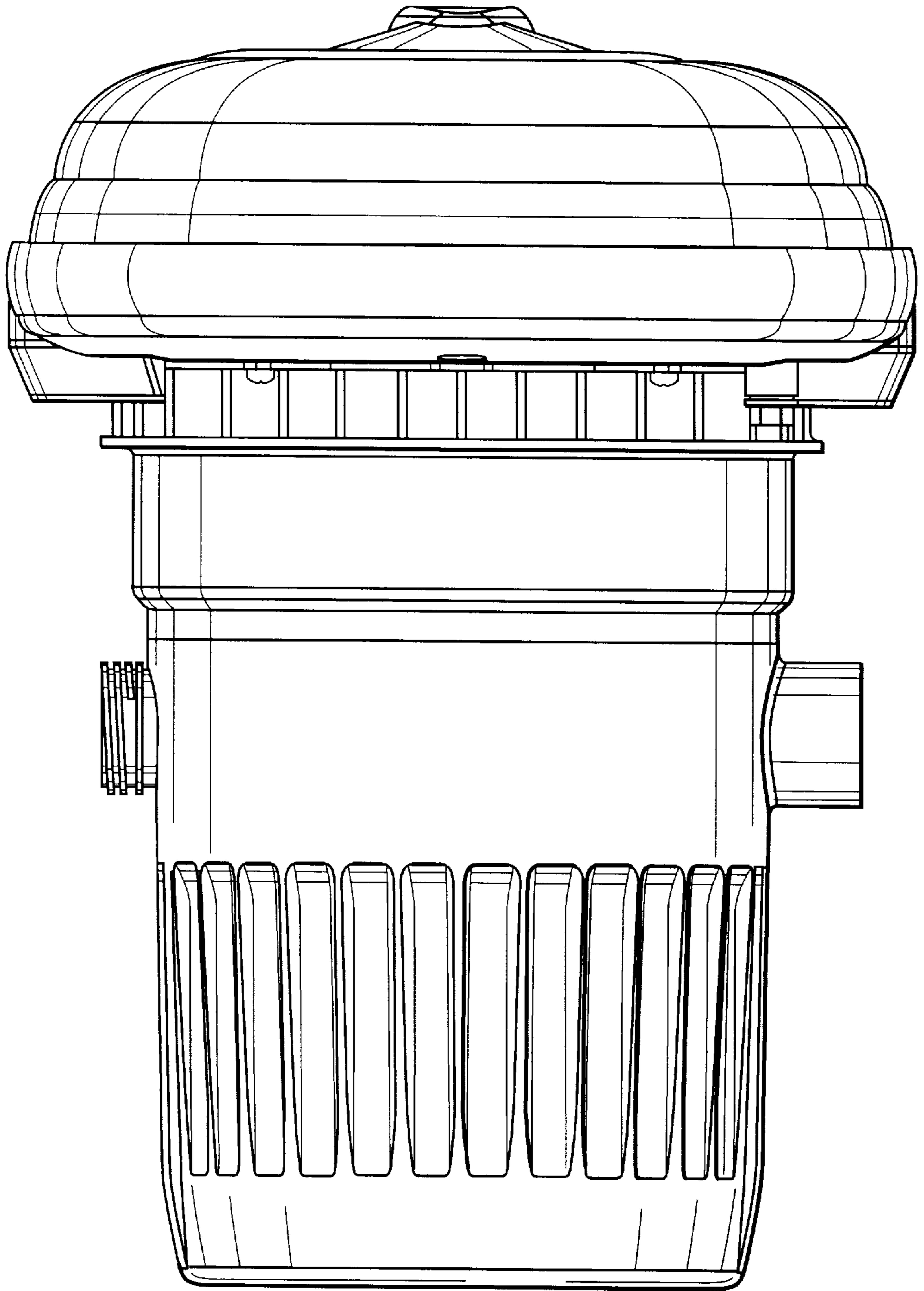


FIG. 2

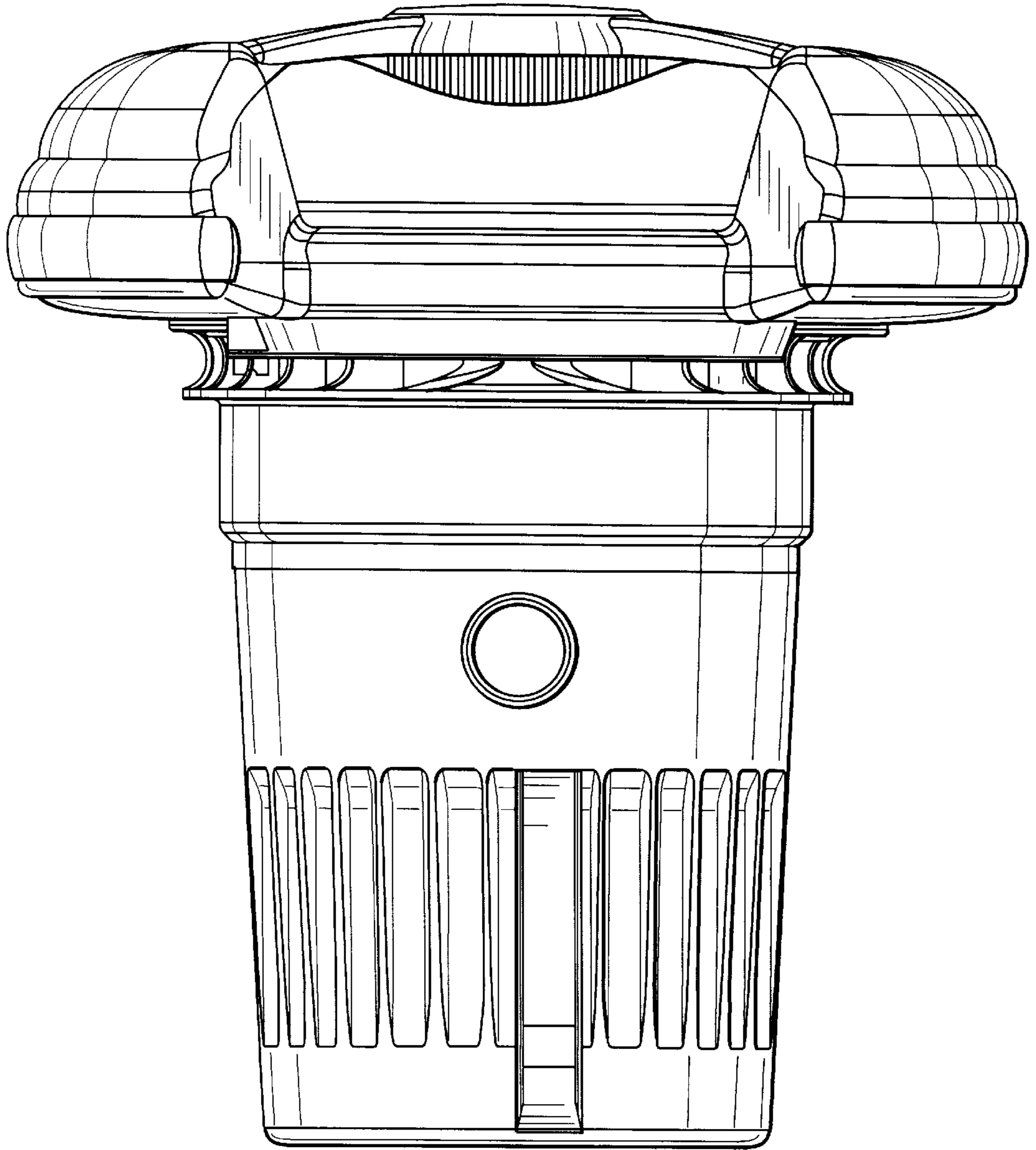


FIG. 3

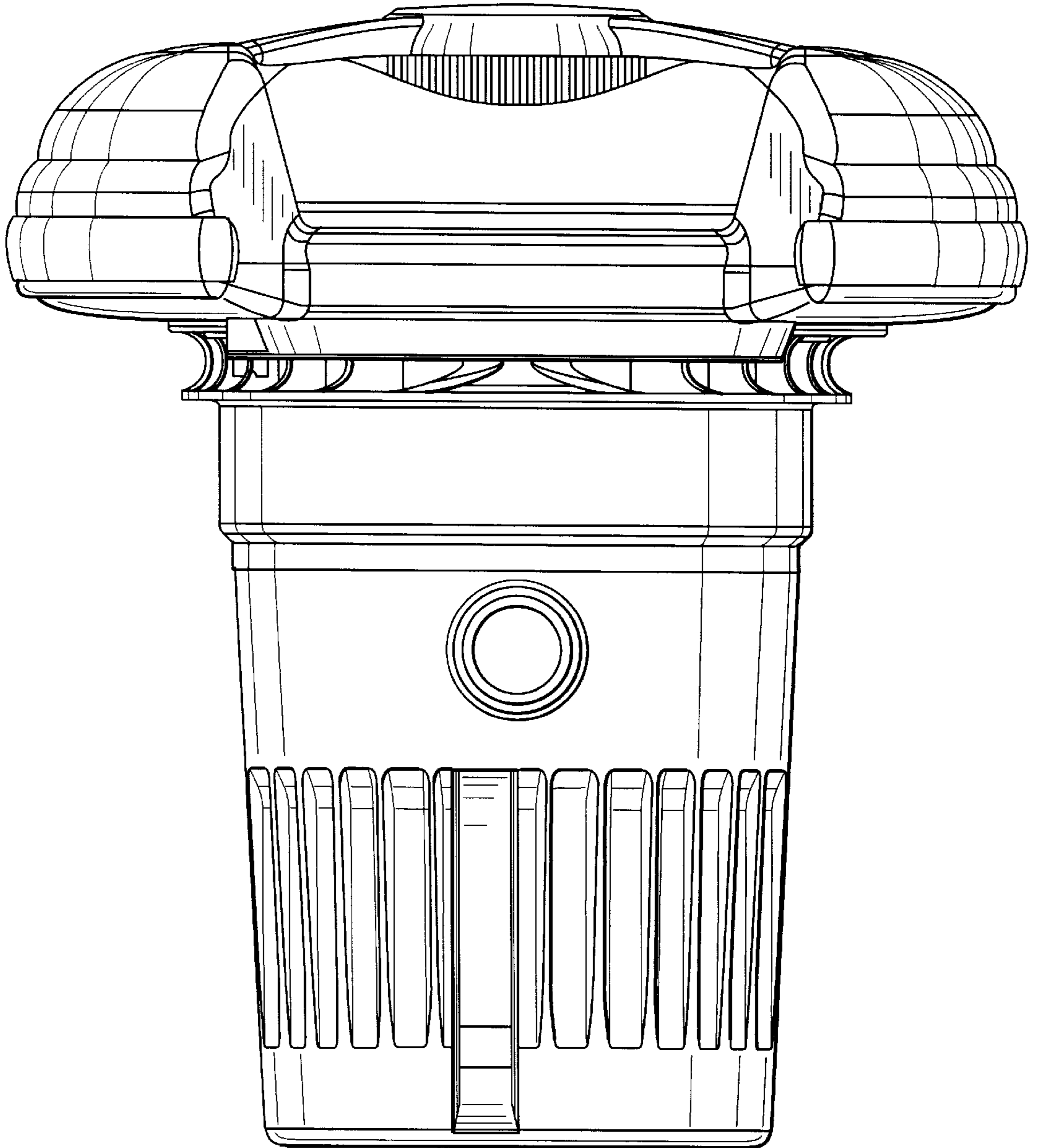


FIG. 4

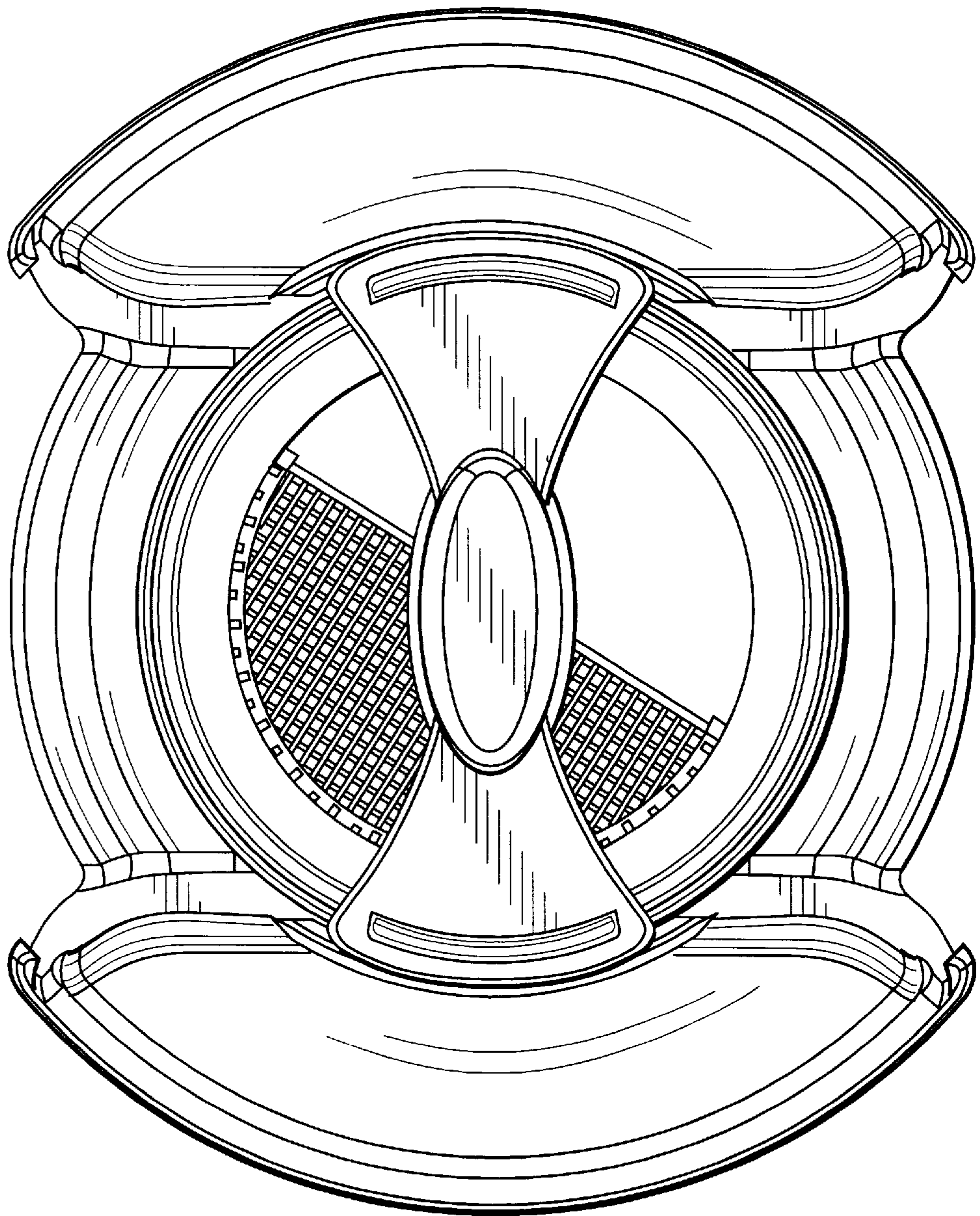


FIG. 5

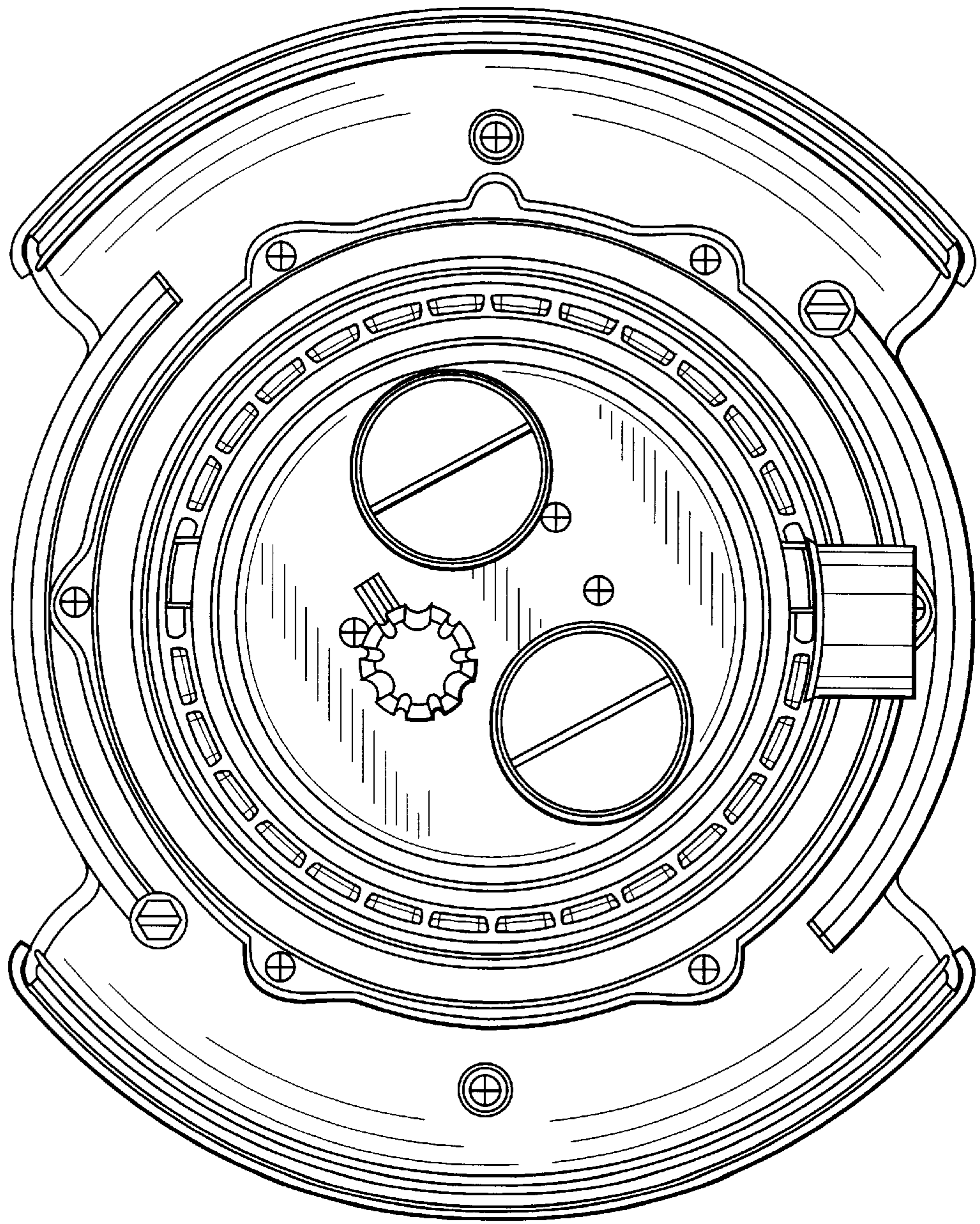


FIG. 6

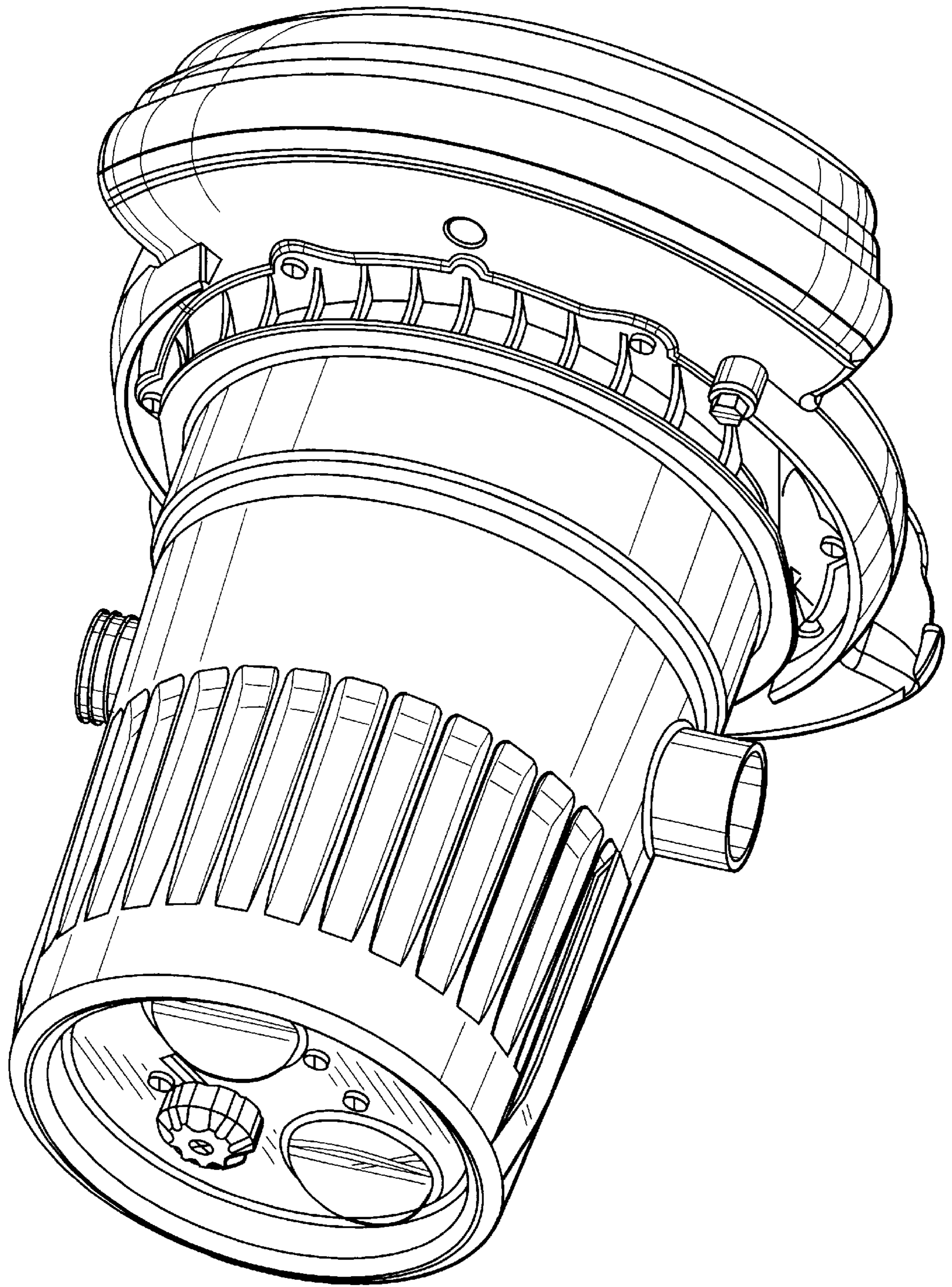


FIG. 7