



US00D432205S

# United States Patent [19]

[11] Patent Number: **Des. 432,205**

Tien Lin

[45] Date of Patent: **\*\* Oct. 17, 2000**

[54] **FILTER**

5,076,922	12/1991	DeAre .....	210/282
5,190,643	3/1993	Duncan .....	210/282
5,505,120	4/1996	Albertson .....	210/282
5,665,224	9/1997	Levene et al. ....	210/282

[76] Inventor: **Yu-Mei Tien Lin**, P.O. Box 82-144, Taipei, Taiwan

[\*\*] Term: **14 Years**

*Primary Examiner*—Robin V. Taylor  
*Attorney, Agent, or Firm*—A & J

[21] Appl. No.: **29/106,240**

[57] **CLAIM**

[22] Filed: **Jun. 14, 1999**

The ornamental design for a filter, as shown and described.

[51] **LOC (7) Cl.** ..... **23-01**

### DESCRIPTION

[52] **U.S. Cl.** ..... **D23/209; D7/317**

FIG. 1 is a perspective view of a filter showing my new design;

[58] **Field of Search** ..... D23/207, 209; D7/317; 210/435, 460

FIG. 2 is a front view thereof;

FIG. 3 is a rear view thereof;

FIG. 4 is a right side elevational view thereof;

FIG. 5 is a left side elevational view thereof;

FIG. 6 is a top plan view thereof; and,

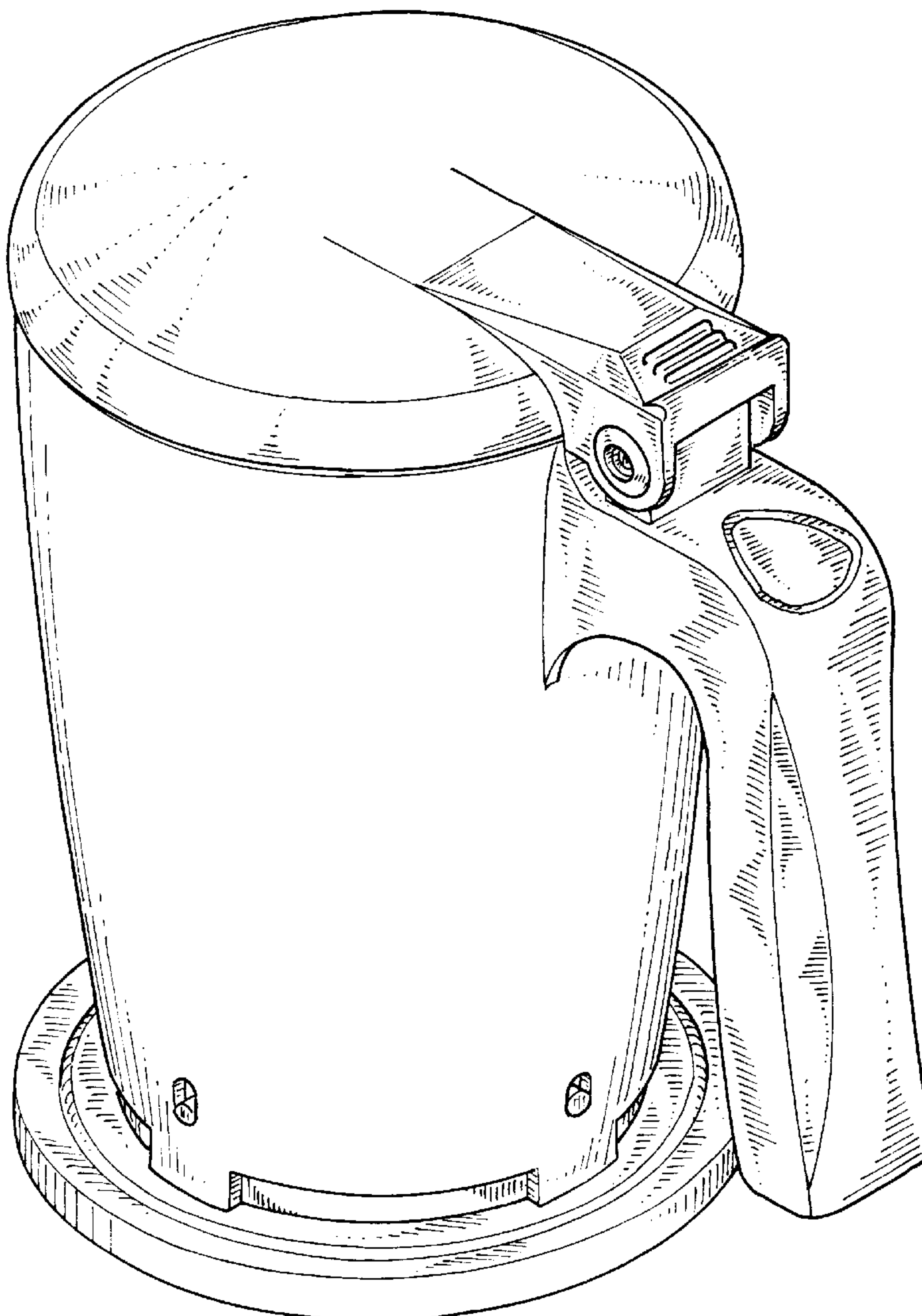
FIG. 7 is a bottom plan view thereof.

### [56] References Cited

#### U.S. PATENT DOCUMENTS

D. 312,679	12/1990	Carrano et al. ....	D23/207
D. 331,446	12/1992	Gidman .....	D23/209
D. 348,305	6/1994	Bannigan .....	D23/209
D. 398,366	9/1998	Ulery et al. ....	D23/209

**1 Claim, 7 Drawing Sheets**



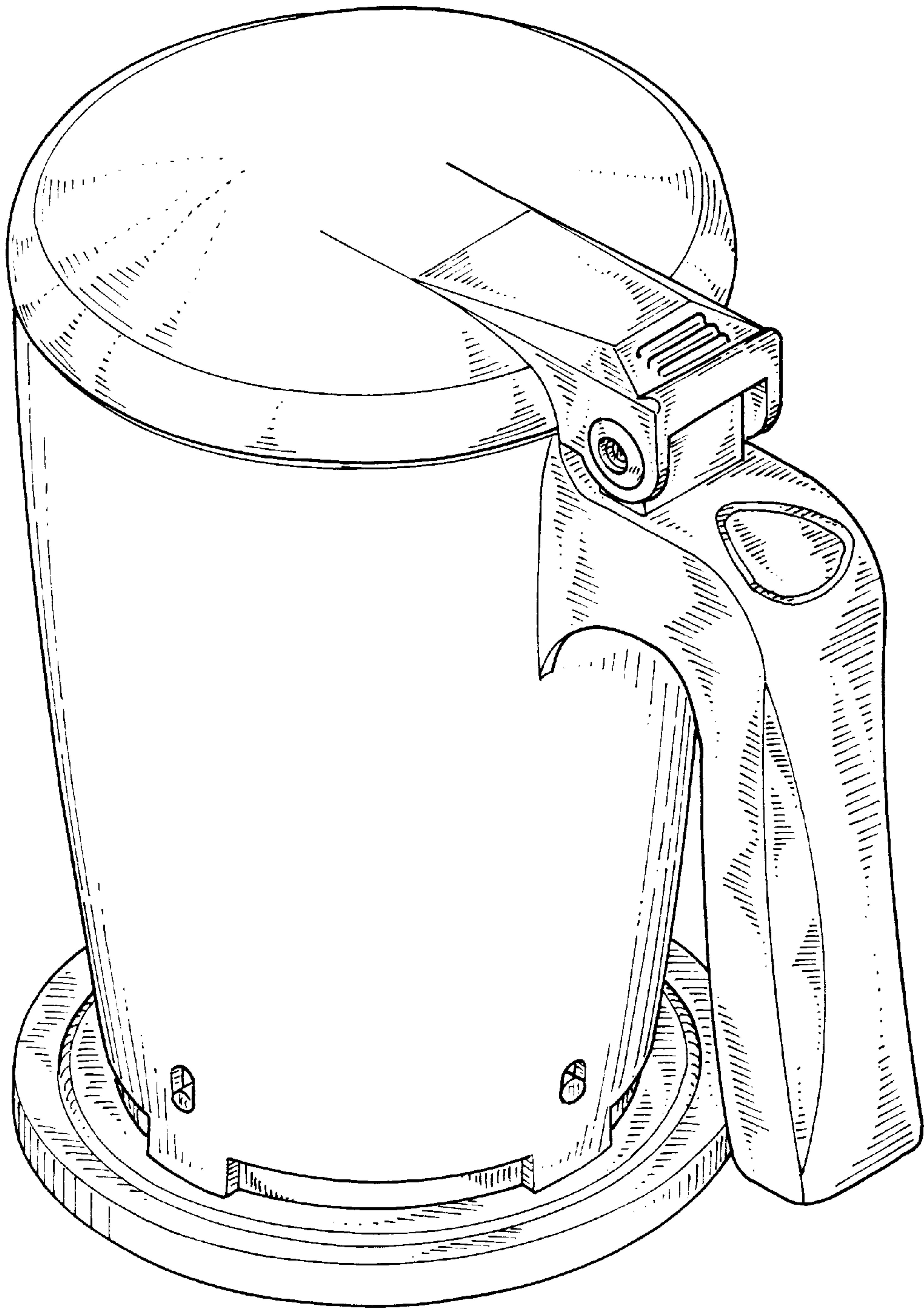


FIG. 1

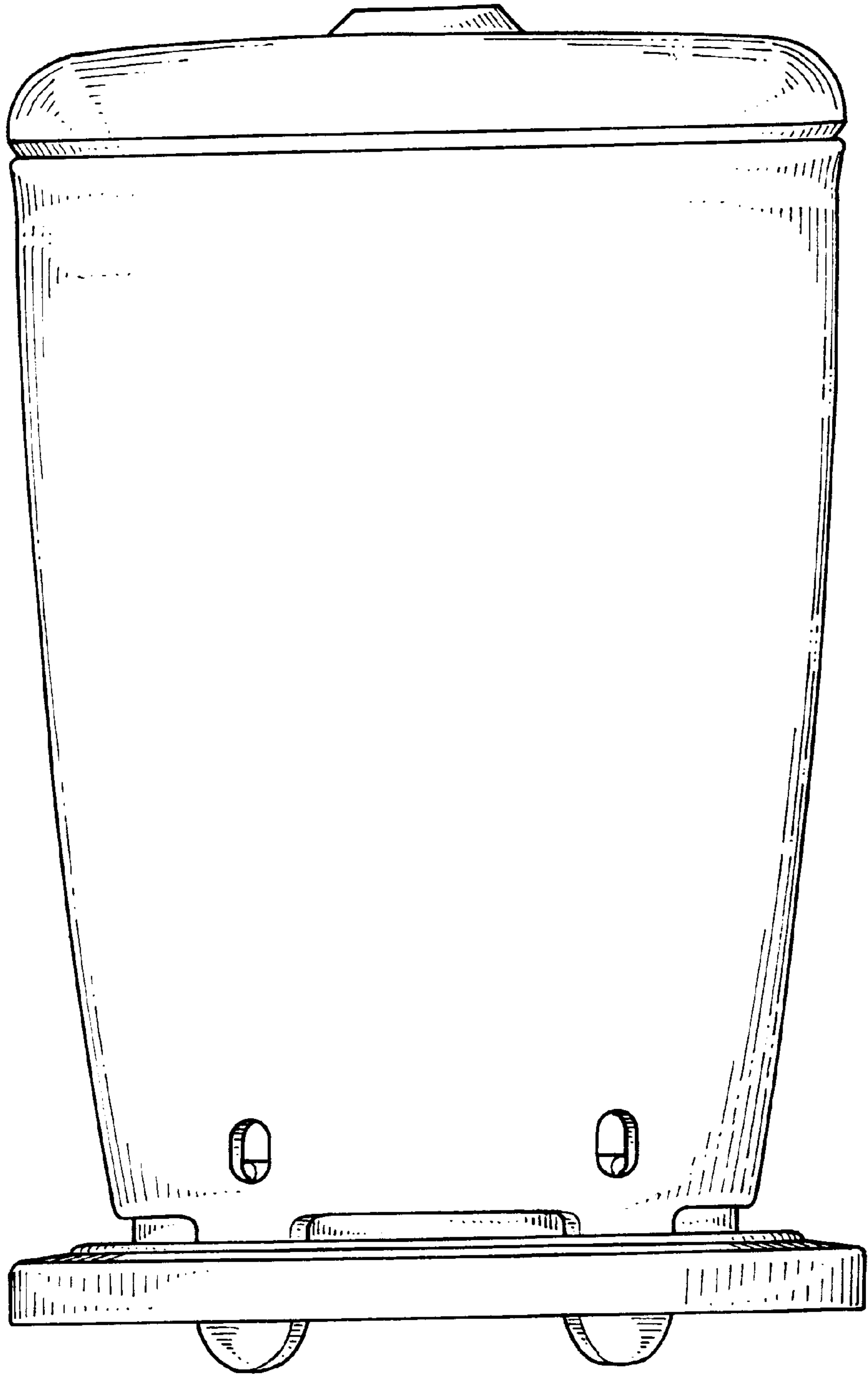


FIG. 2

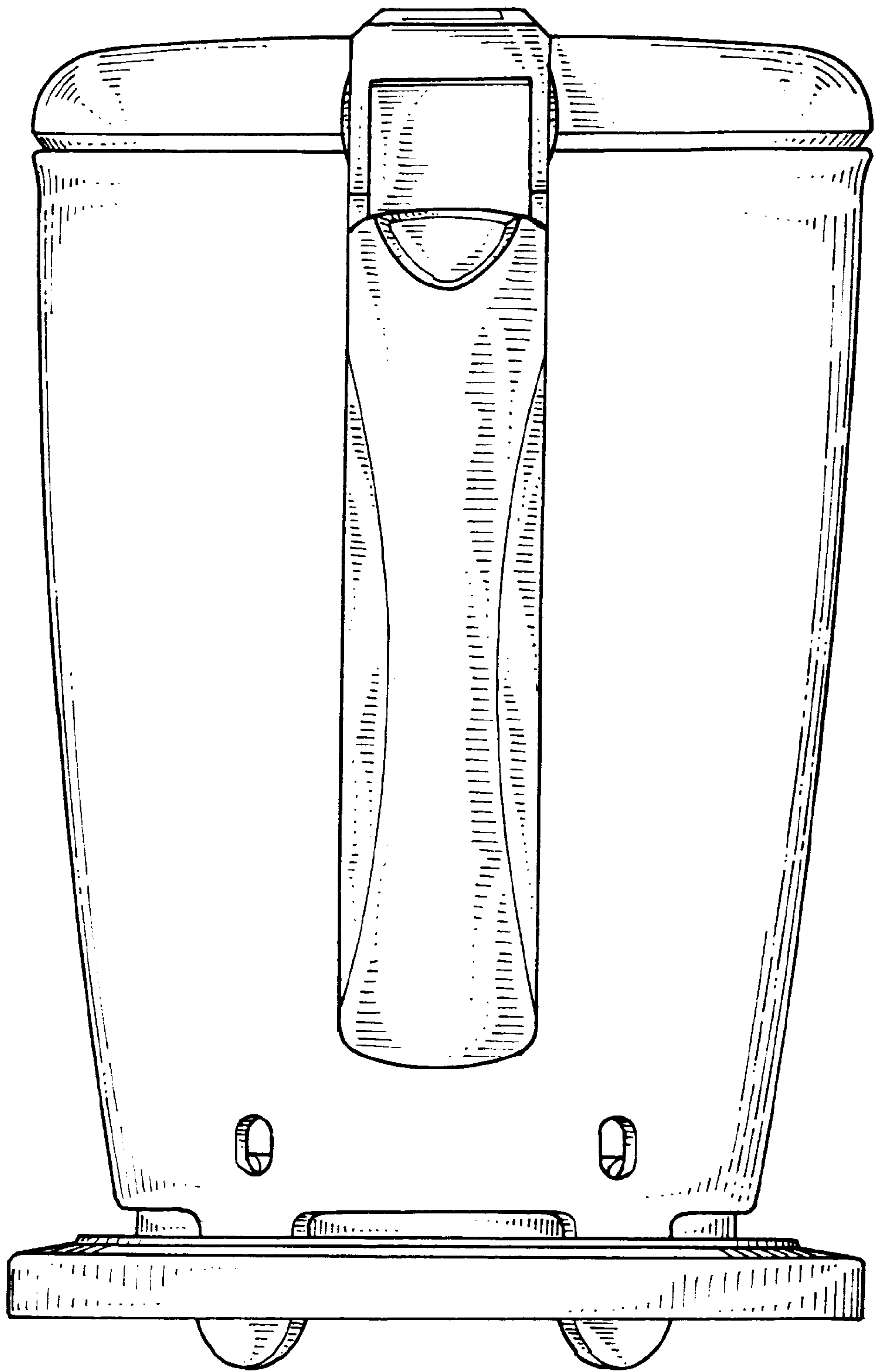


FIG. 3

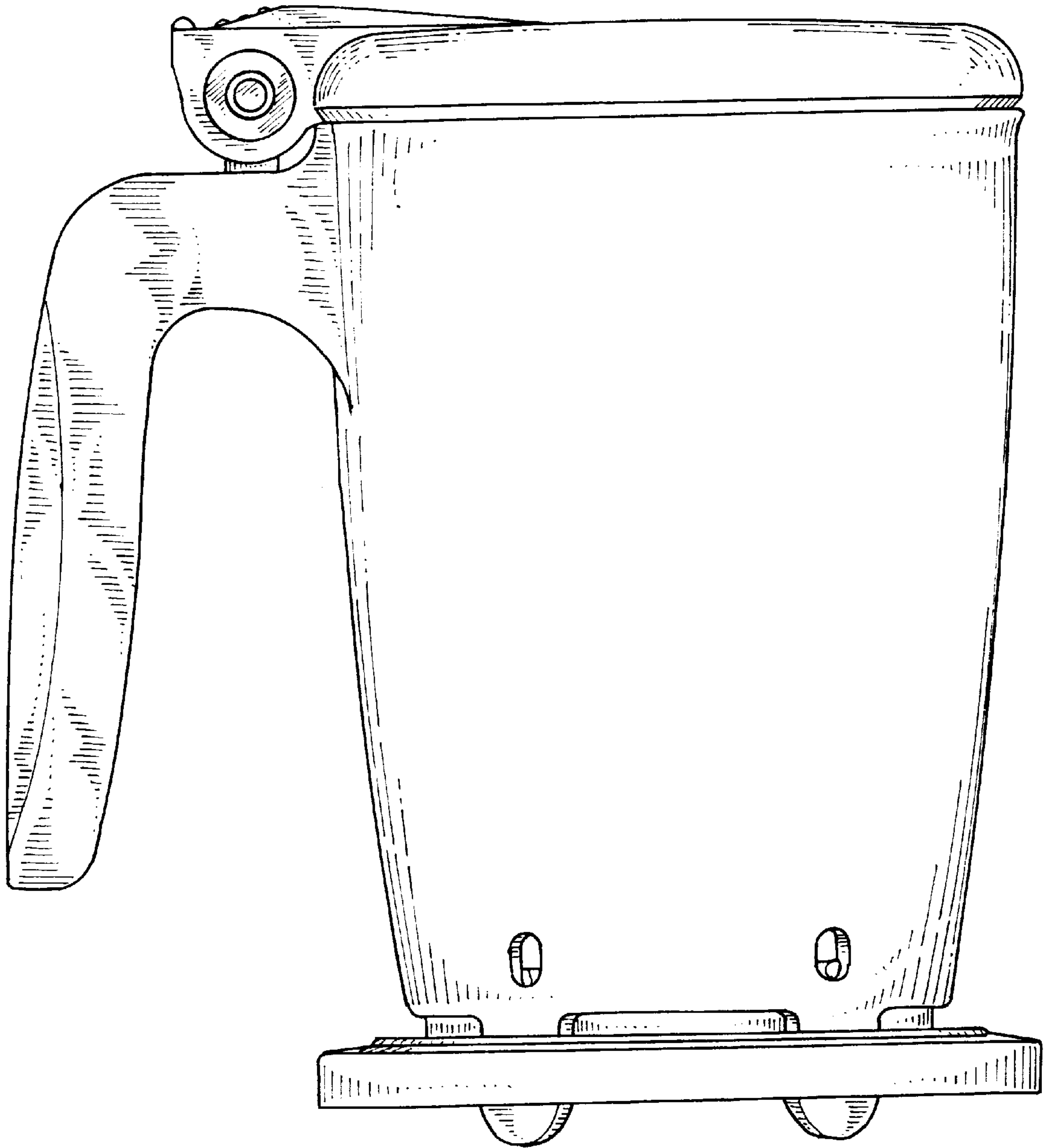


FIG. 4



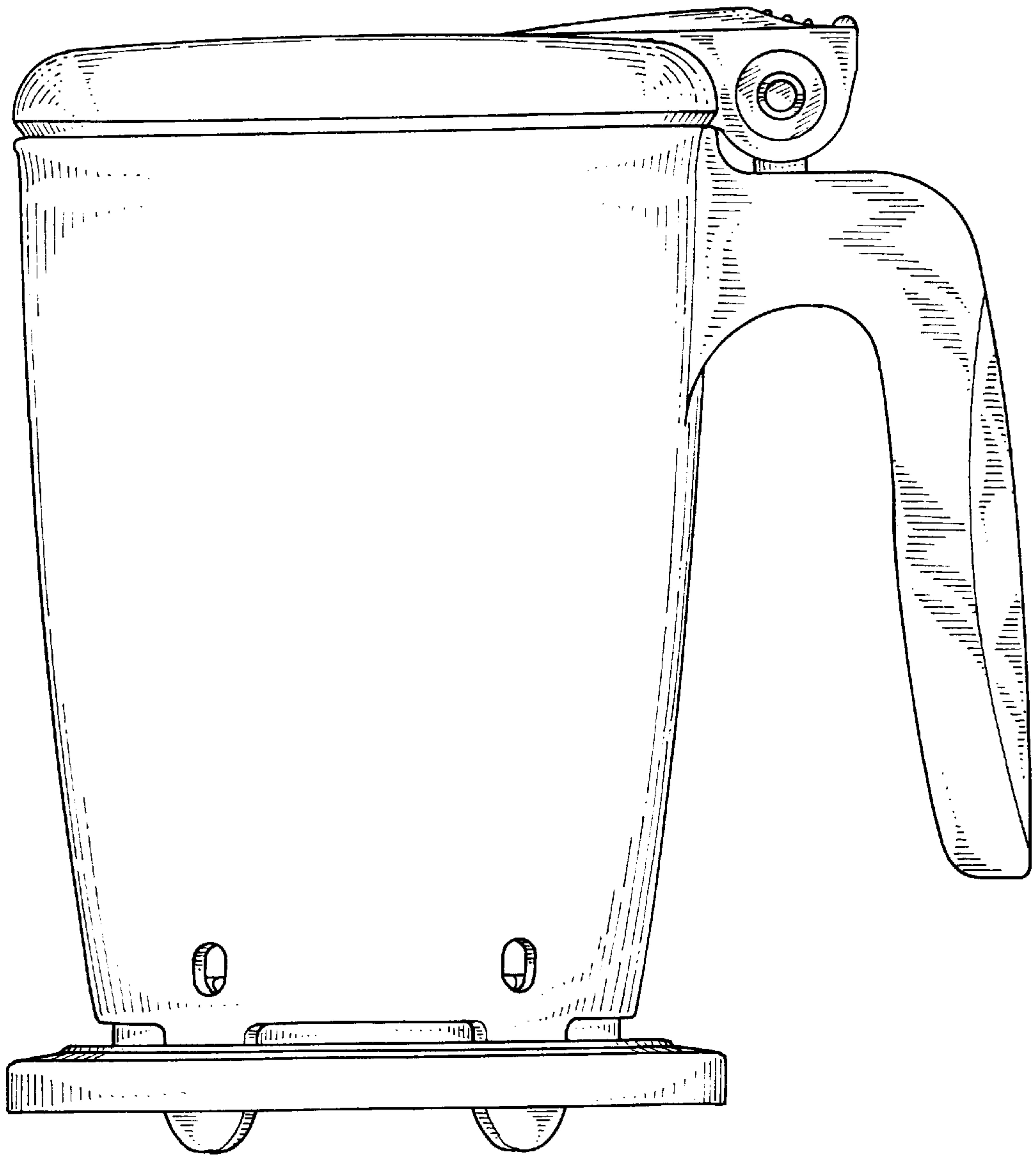


FIG. 5

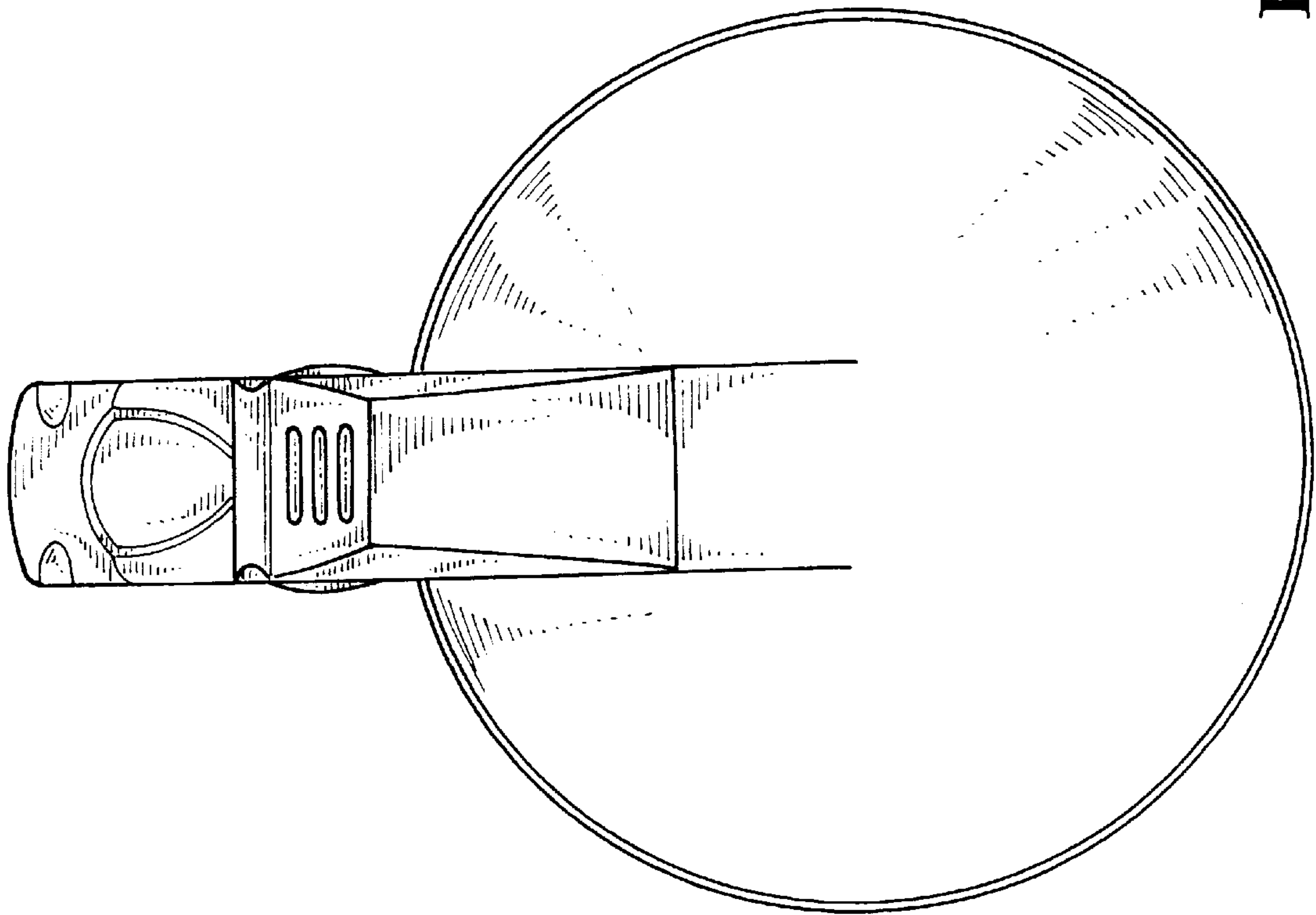


FIG. 6

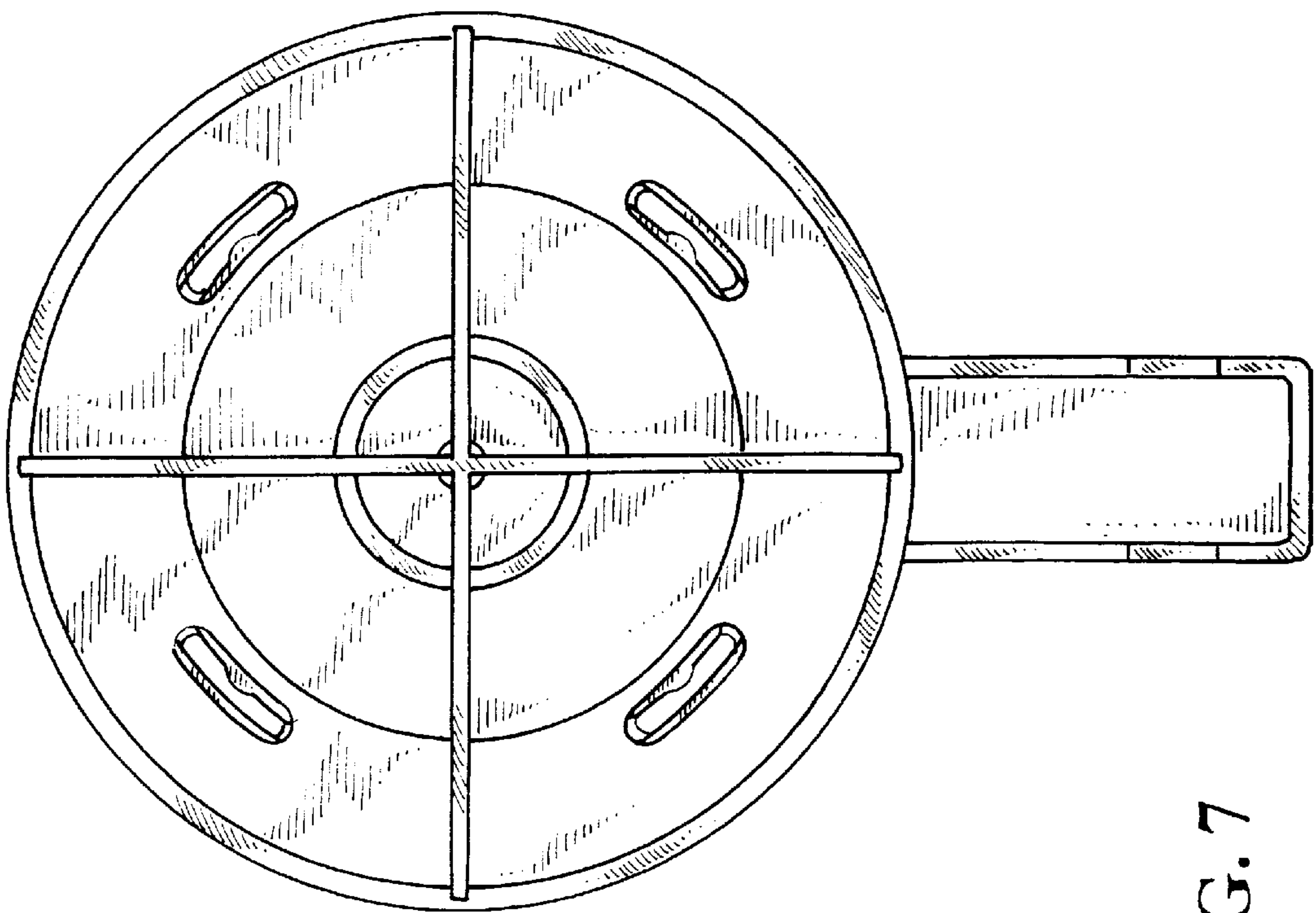


FIG. 7