



US00D432202S

**United States Patent** [19]  
**Kim et al.**

[11] **Patent Number: Des. 432,202**

[45] **Date of Patent: \*\* Oct. 17, 2000**

[54] **BAIT CAST REEL**

6,032,894 3/2000 Chapman et al. .... 242/322

[75] Inventors: **Hyunkyu Kim**, Broken Arrow; **Andy Carroll**, Catoosa, both of Okla.; **Richard J. Robbins**, Sedgwick, Kans.

**OTHER PUBLICATIONS**

Bass Pro Shops. Mater Catalog, 1999, p. 14, 16, 21–23, 28–29, 33–37, 40, 64–65, 80.

Browning Fishing. Product Catalog, 1999, p. 5, 7, 28–30.

Caleba's. Master Catalog, Edition 1, Spring 1999, p. 10, 17–18, 20, 23–24, 44–46, 49.

Quantum, Zebco, Martin. Catalog, 1999, p. 10–11.

[73] Assignee: **Zebco Division of Brunswick Corporation**, Tulsa, Okla.

[\*\*] Term: **14 Years**

*Primary Examiner*—Louis S. Zarfes

*Assistant Examiner*—Inga-Maria Hyttinen

*Attorney, Agent, or Firm*—Fellers, Snider, Blankenship, Bailey & Tippens, P.C.

[21] Appl. No.: **29/115,049**

[22] Filed: **Dec. 7, 1999**

[51] **LOC (7) Cl.** ..... **22-05**

[52] **U.S. Cl.** ..... **D22/140**

[58] **Field of Search** ..... D22/137, 140, D22/141; 242/370, 223, 224, 234–240

[57] **CLAIM**

The ornamental design for a bait cast reel, as shown.

**DESCRIPTION**

FIG. 1 is a perspective view from the top, front, left side of a bait cast reel showing my new design;

FIG. 2 is a perspective view from the top, front, right thereof;

FIG. 3 is a front elevational view thereof;

FIG. 4 is a right side view thereof;

FIG. 5 is a left side view thereof;

FIG. 6 is a rear elevational view thereof;

FIG. 7 is a top plan view thereof; and,

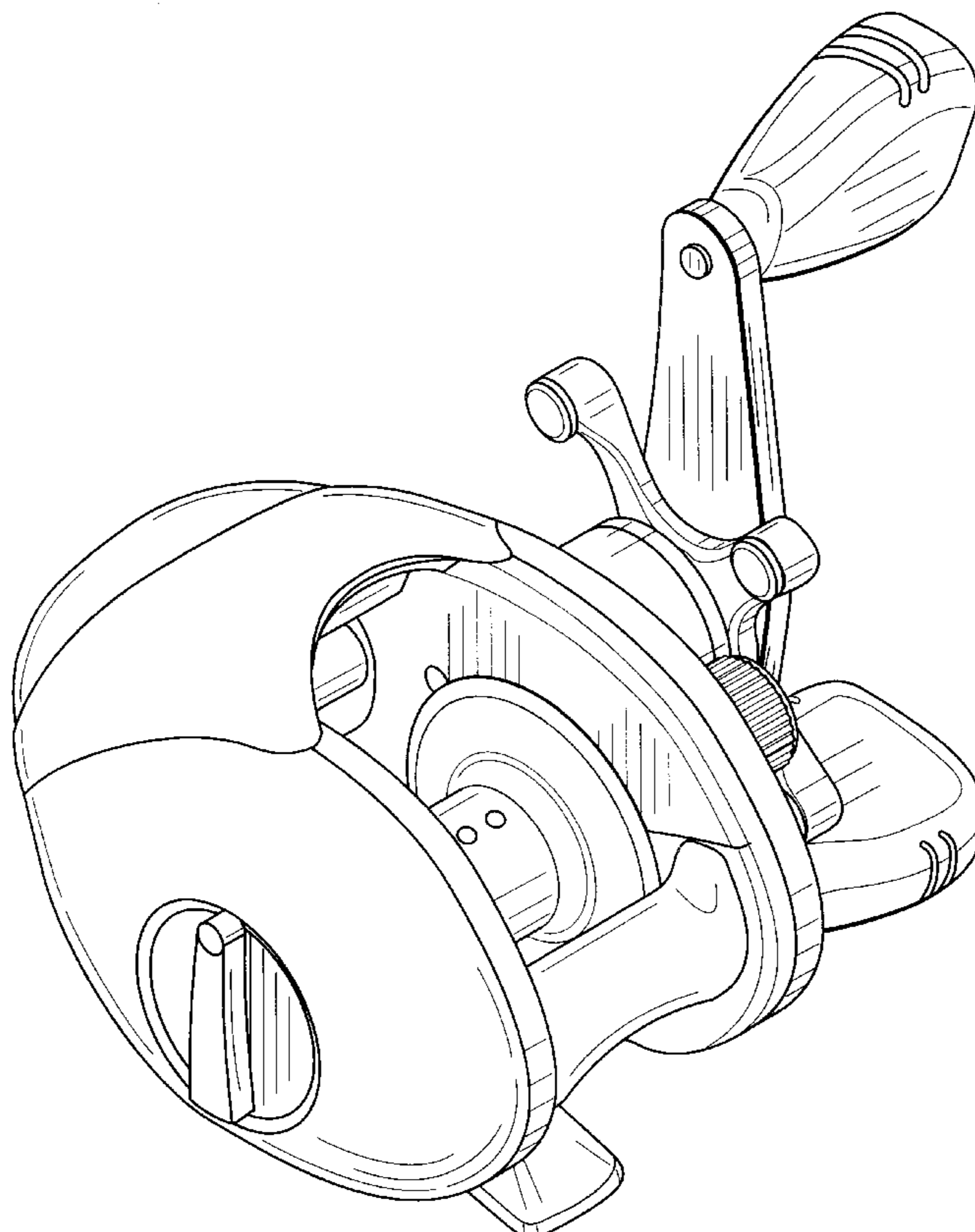
FIG. 8 is a bottom plan view thereof.

[56] **References Cited**

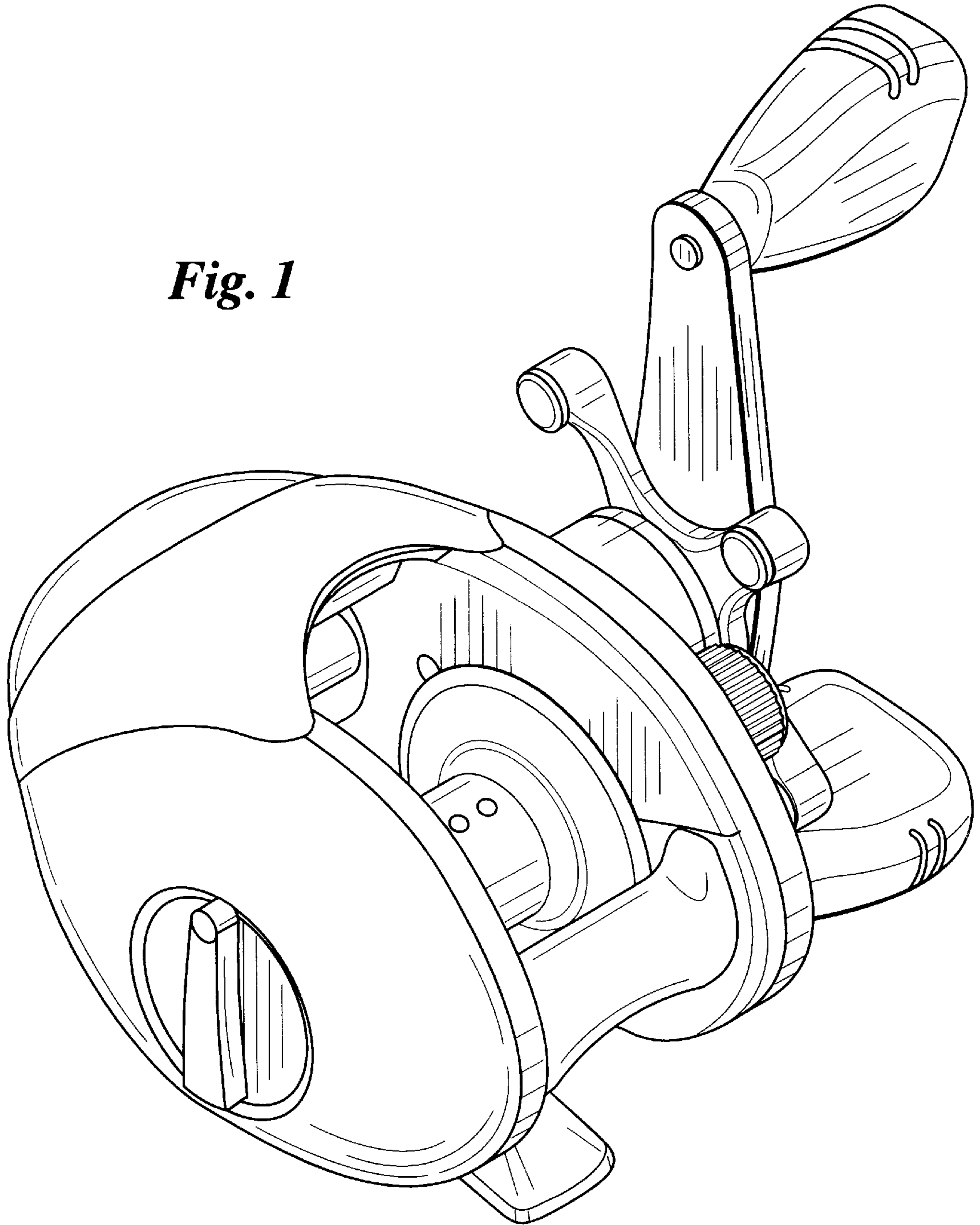
**U.S. PATENT DOCUMENTS**

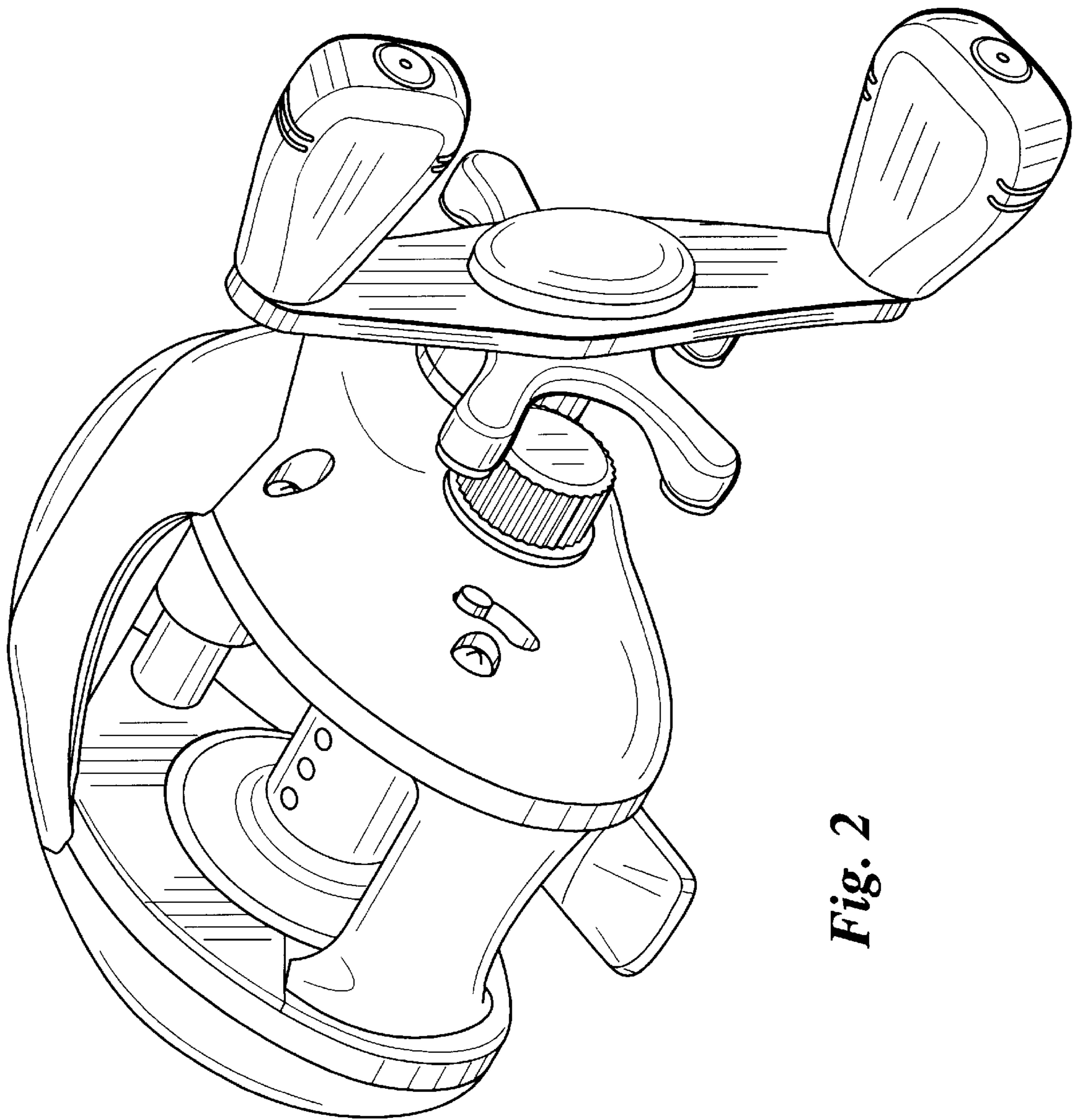
D. 308,406	6/1990	Robbins	.....	D22/140
D. 319,282	8/1991	Robbins et al.	.....	D22/140
D. 320,834	10/1991	Robbins et al.	.....	D22/140
D. 326,307	5/1992	Sakurai	.....	D22/140
D. 326,308	5/1992	Sakurai	.....	D22/140
D. 347,046	5/1994	Sakurai	.....	D22/140
D. 356,138	3/1995	Onishi	.....	D22/140
D. 356,139	3/1995	Onishi	.....	D22/140
D. 369,642	5/1996	Iwabuchi	.....	D22/140
D. 376,835	12/1996	Asano et al.	.....	D22/140
D. 422,047	3/2000	Kaneda et al.	.....	D22/140

**1 Claim, 5 Drawing Sheets**

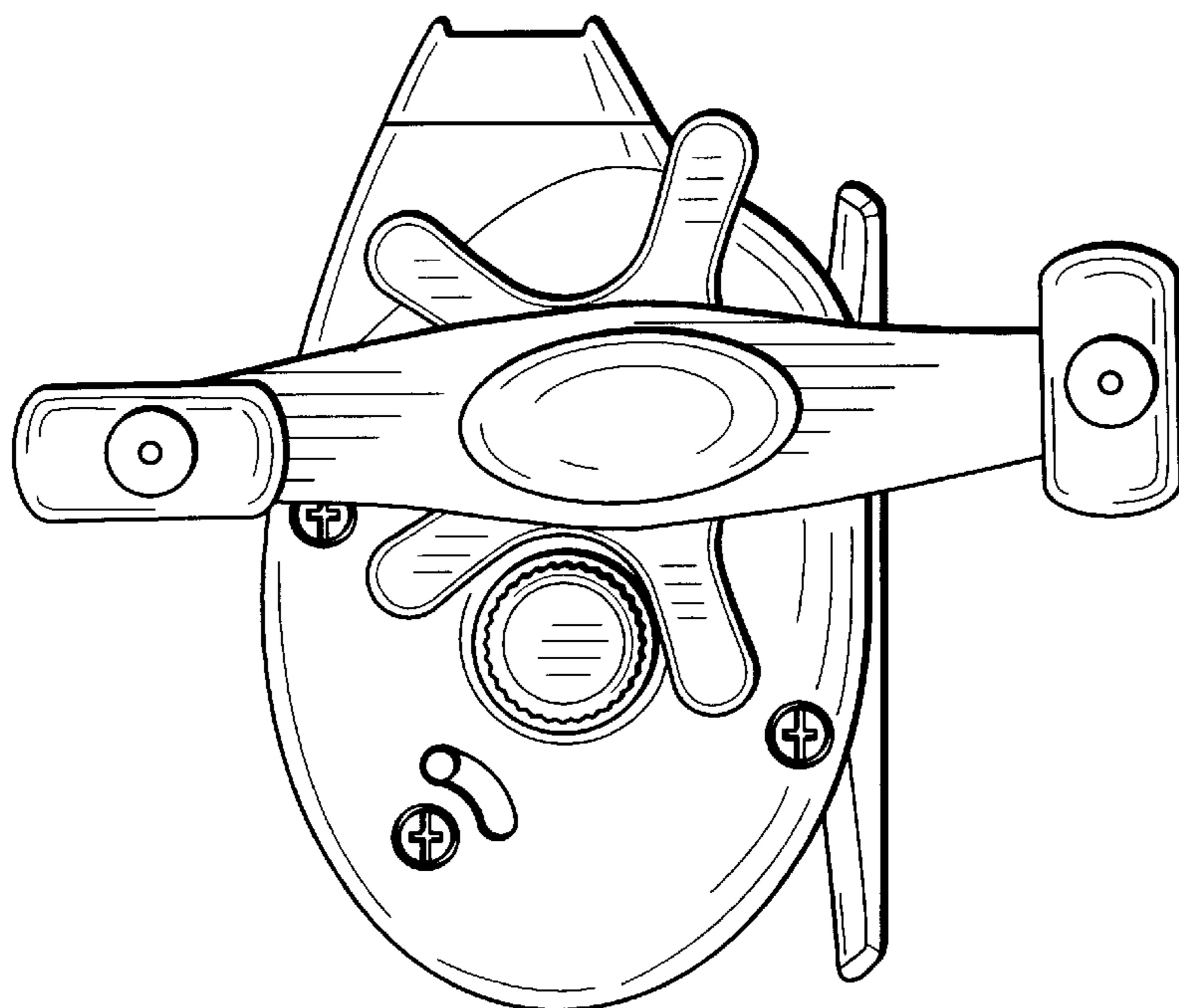


*Fig. 1*

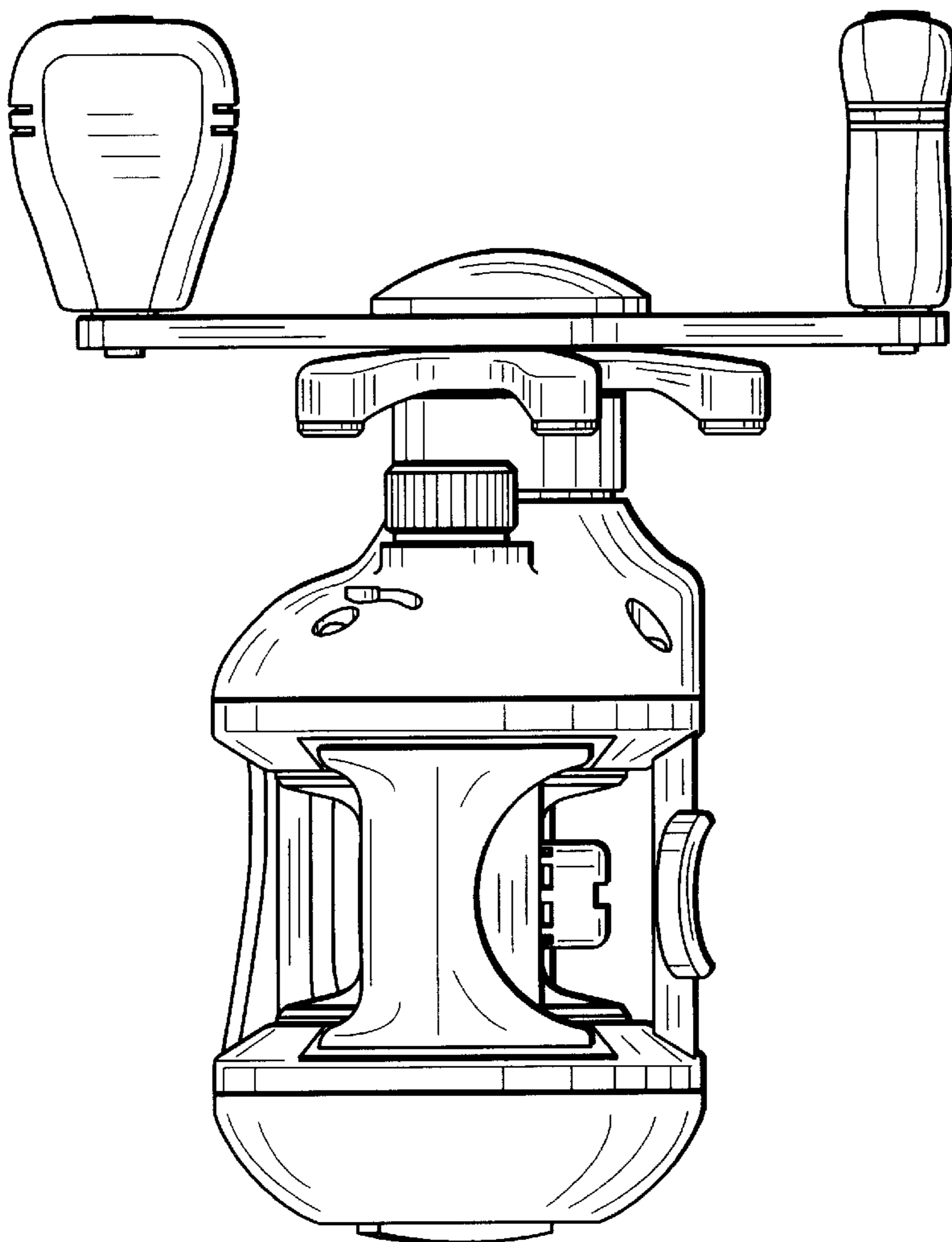




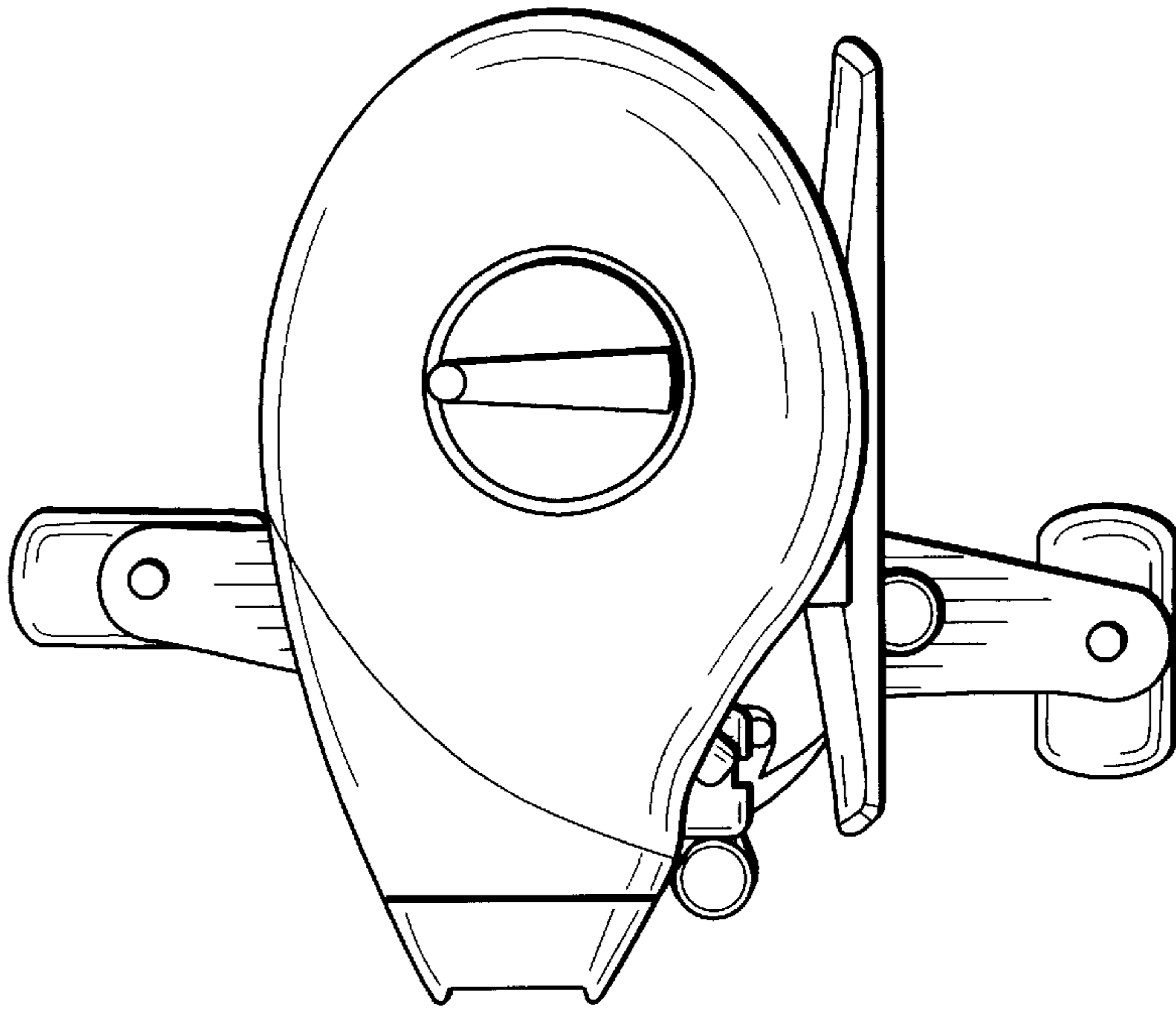
*Fig. 2*



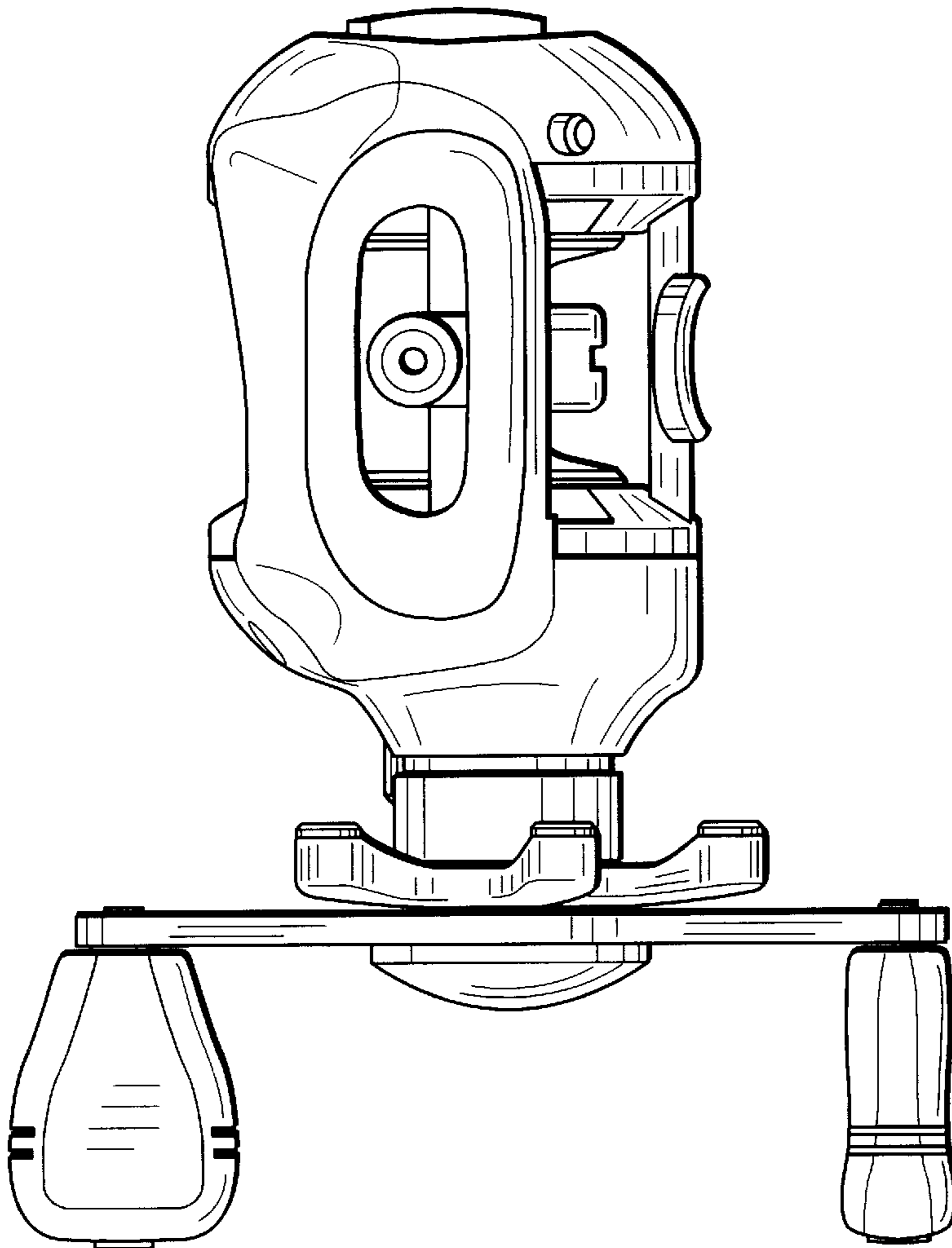
*Fig. 4*



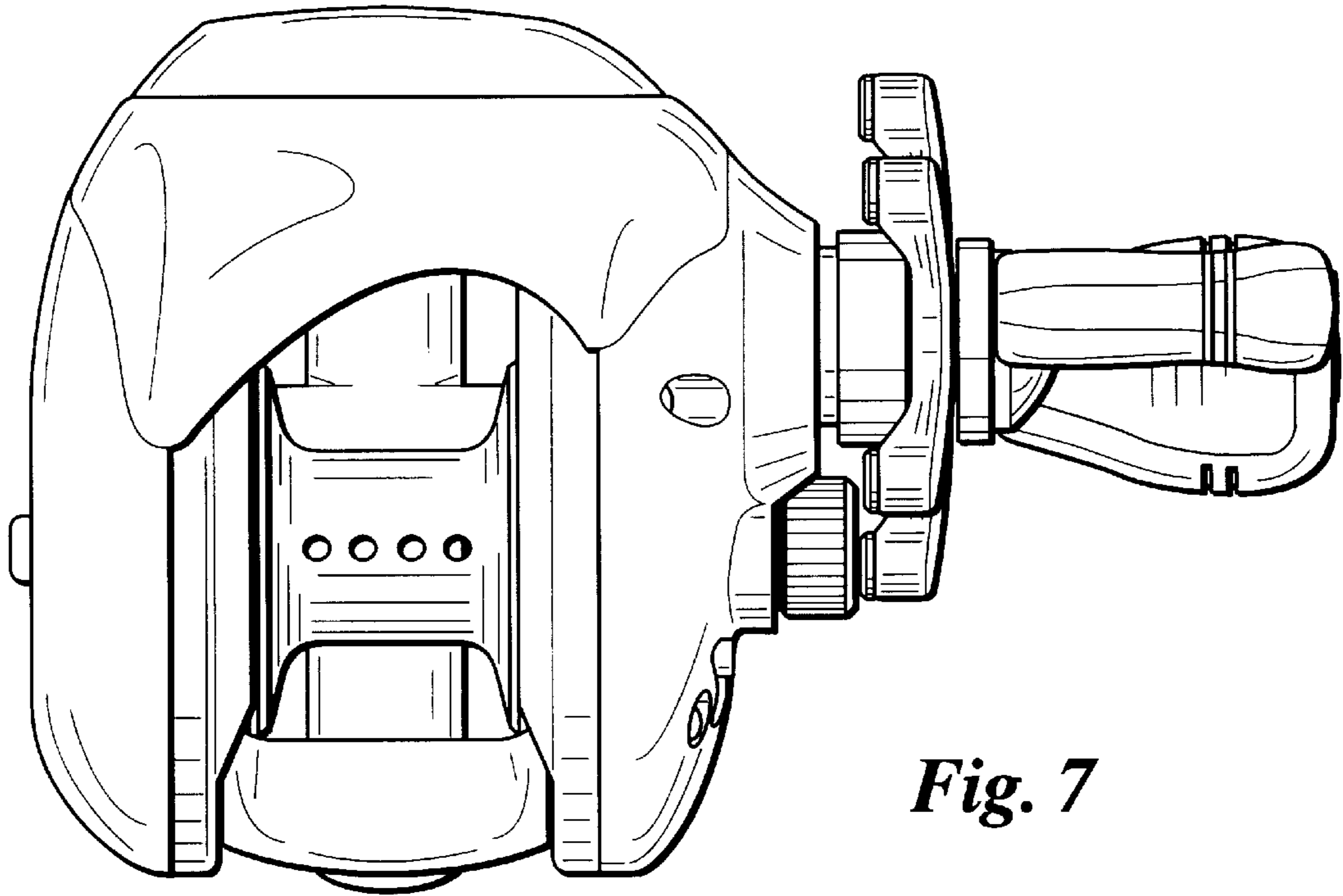
*Fig. 3*



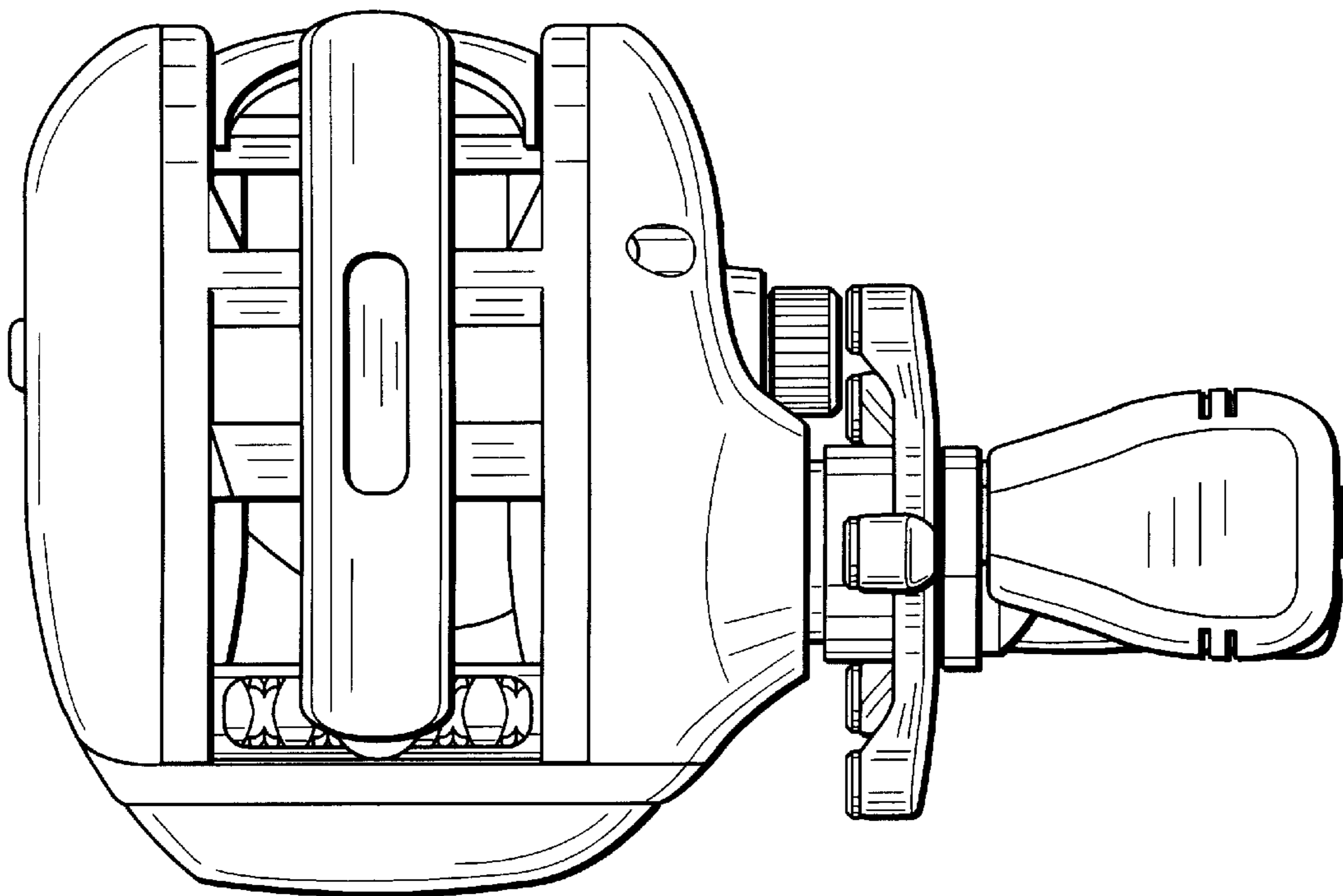
*Fig. 5*



*Fig. 6*



*Fig. 7*



*Fig. 8*