



US00D432197S

United States Patent [19] Carr

[11] Patent Number: Des. 432,197

[45] Date of Patent: ** Oct. 17, 2000

[54] AQUATIC GOLF SWING TRAINING DEVICE

[76] Inventor: John Carr, 1010 Republic, Addison, Ill. 60101

[**] Term: 14 Years

[21] Appl. No.: 29/114,842

[22] Filed: Dec. 2, 1999

[51] LOC (7) Cl. 21-02

[52] U.S. Cl. D21/789

[58] Field of Search D21/789, 791;
473/219-225, 256-264

[56] **References Cited**

U.S. PATENT DOCUMENTS

- D. 405,859 2/1999 Thompson D21/791
- D. 417,479 12/1999 Mechals, Jr. D21/791

Primary Examiner—Mitchell Siegel
Attorney, Agent, or Firm—Leydig, Voit & Mayer, Ltd.

[57] **CLAIM**

The ornamental design for an aquatic golf swing training device, as shown and described.

DESCRIPTION

FIG. 1 is a top perspective view of an aquatic golf swing

training device showing my new design with the moveable shutter in an open position;
 FIG. 2 is a bottom perspective view thereof;
 FIG. 3 is a top plan view thereof;
 FIG. 4 is a bottom plan thereof;
 FIG. 5 is a top end view thereof, the bottom end being a mirror image;
 FIG. 6 is a side elevational view thereof;
 FIG. 7 is a top perspective view thereof with the moveable shutter in a half closed position;
 FIG. 8 is a bottom perspective view thereof as shown in FIG. 7;
 FIG. 9 is a top plan view thereof as shown in FIG. 7;
 FIG. 10 is a bottom plan view thereof as shown in FIG. 8;
 FIG. 11 is a top end view thereof as seen in FIG. 9; the bottom end being a mirror image;
 FIG. 12 is a side elevational view thereof as seen in FIG. 9;
 FIG. 13 is a top perspective view thereof with the moveable shutter in a fully closed position;
 FIG. 14 is a rear perspective view thereof as seen in FIG. 13;
 FIG. 15 is a top plan view thereof as seen in FIG. 13;
 FIG. 16 is a bottom plan view thereof as seen in FIG. 14;
 FIG. 17 is an end view thereof as seen in FIG. 15, the opposite end view being a mirror image; and,
 FIG. 18 is a side elevation view thereof as seen in FIG. 15.

1 Claim, 12 Drawing Sheets

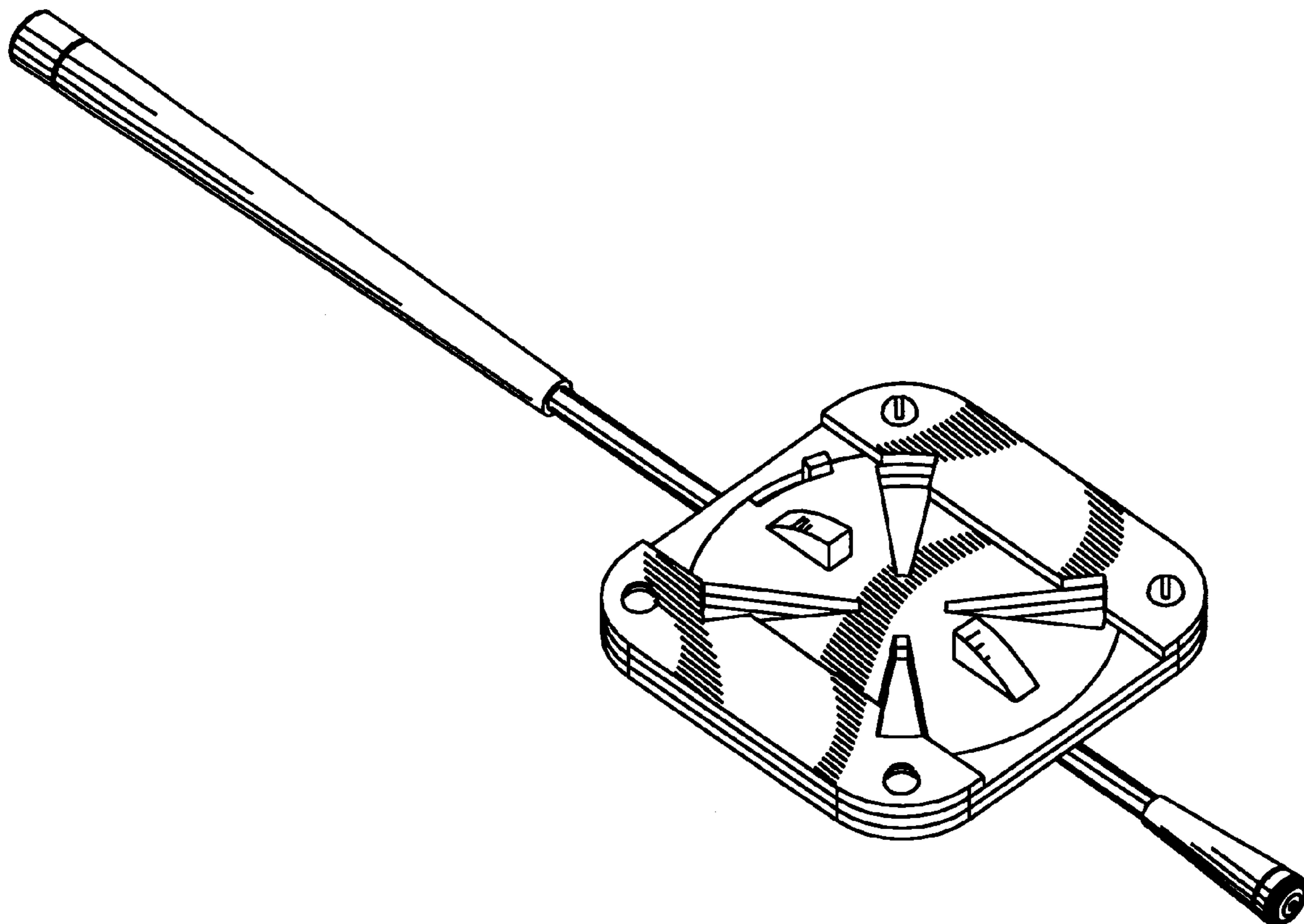


FIG. 1

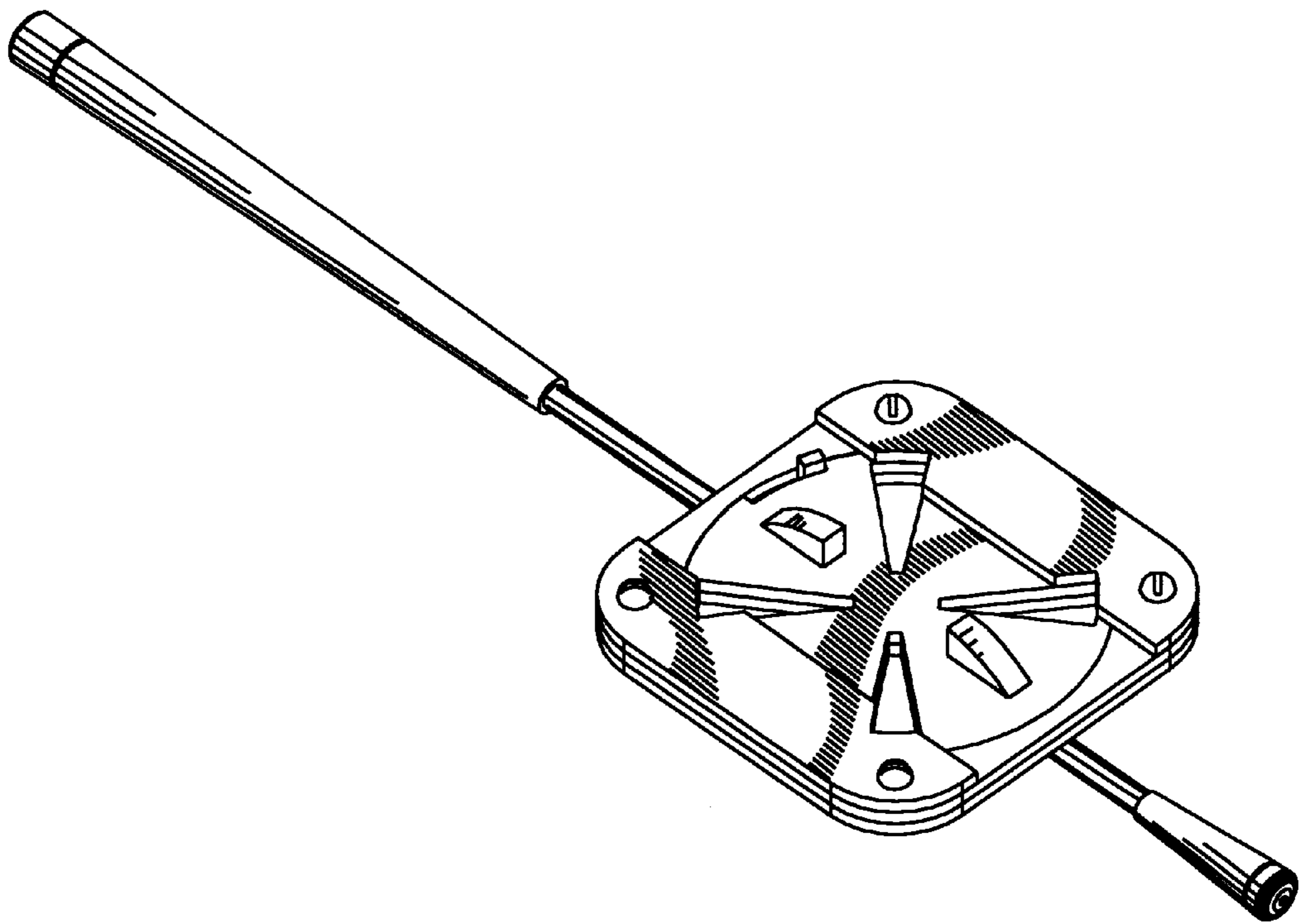
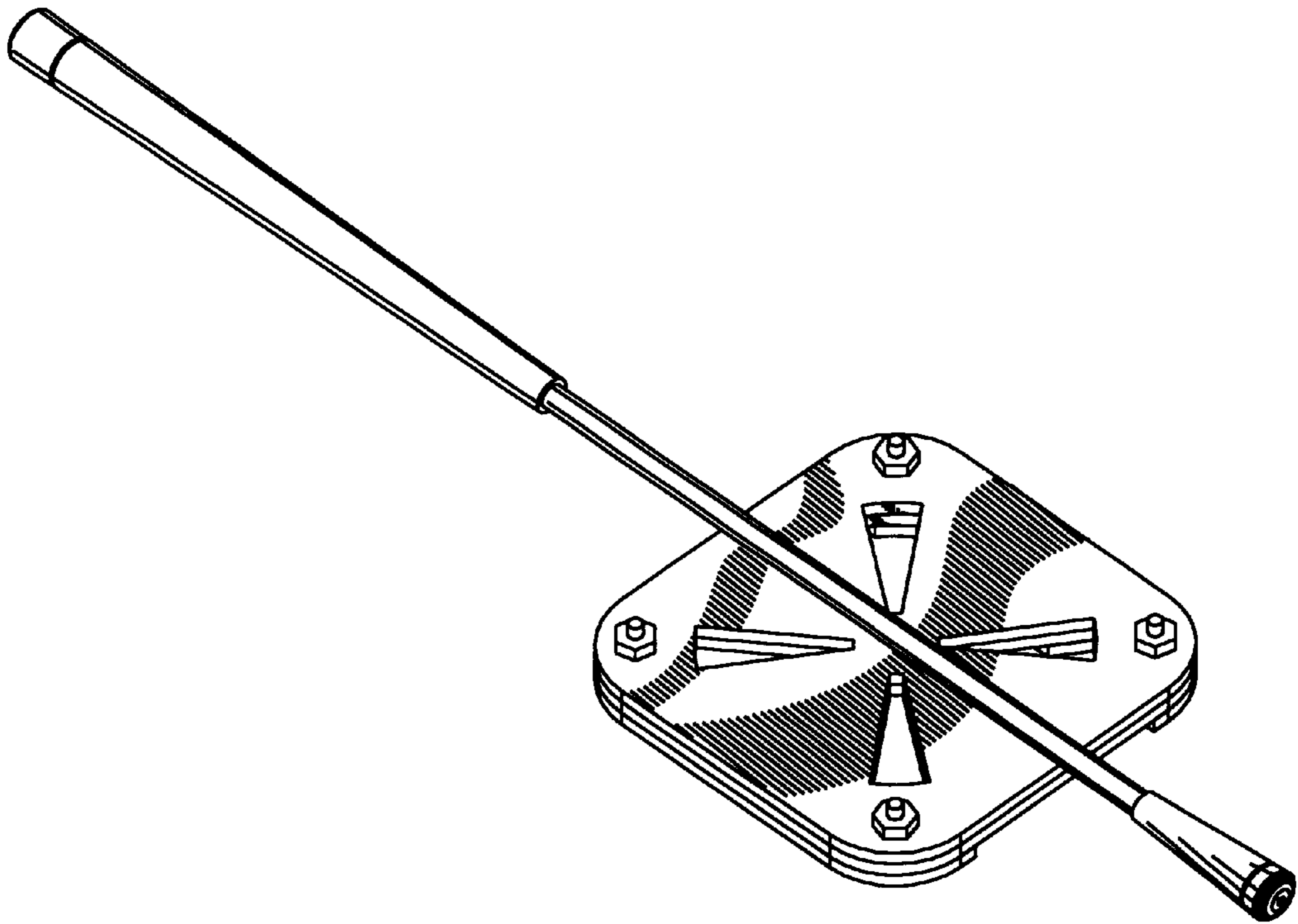


FIG. 2



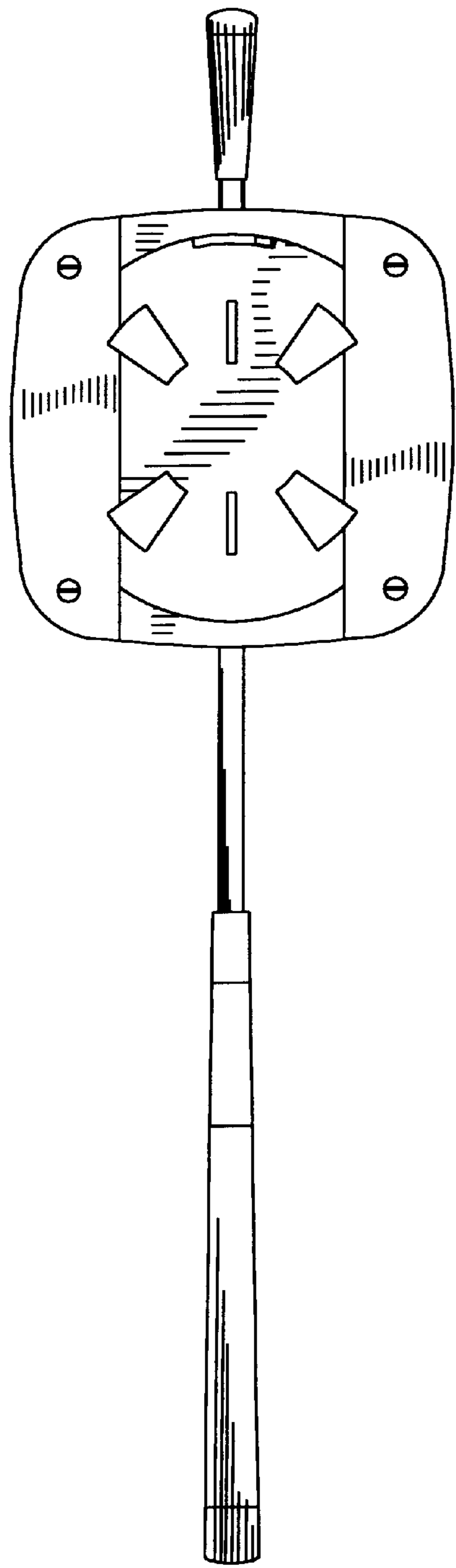


FIG. 3

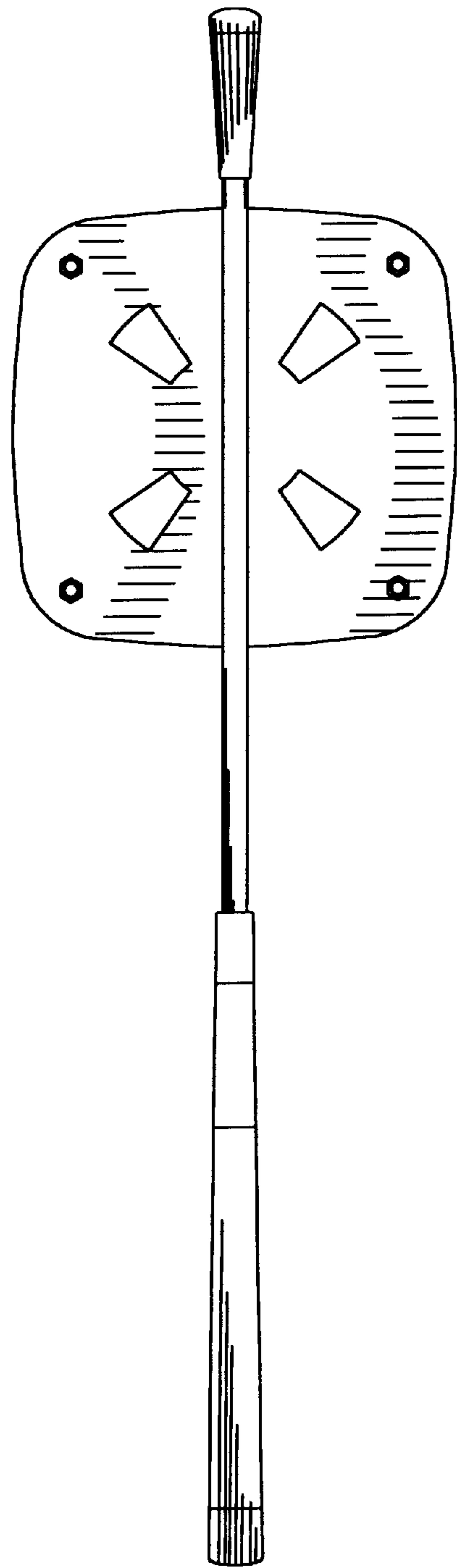


FIG. 4

FIG. 5

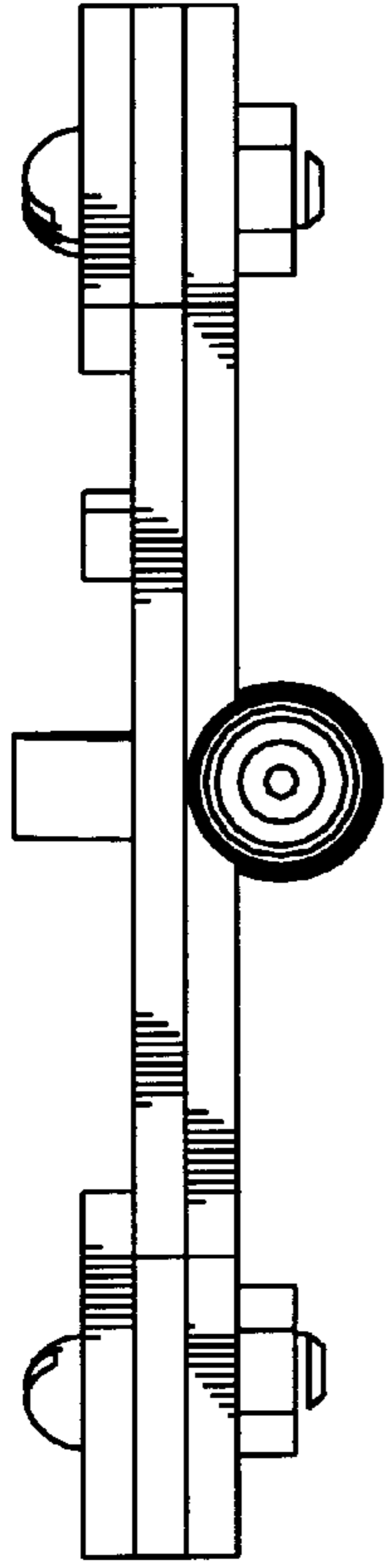


FIG. 6

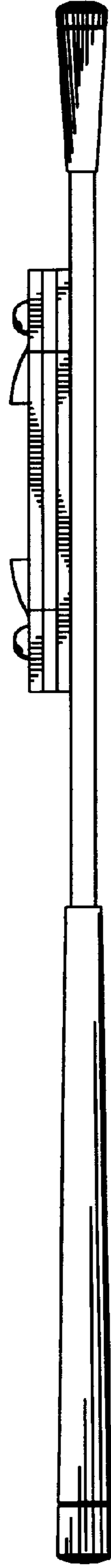


FIG. 7

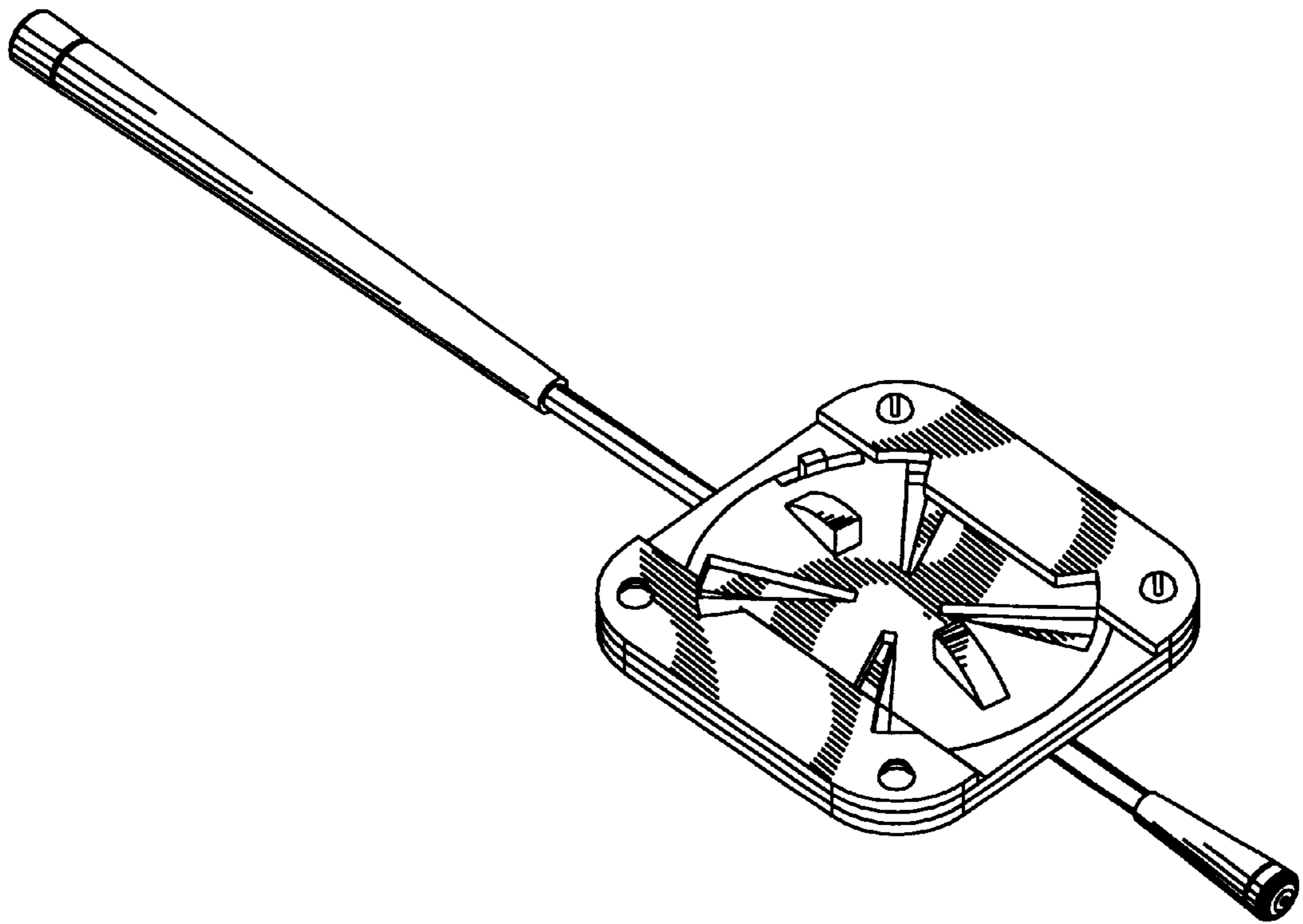
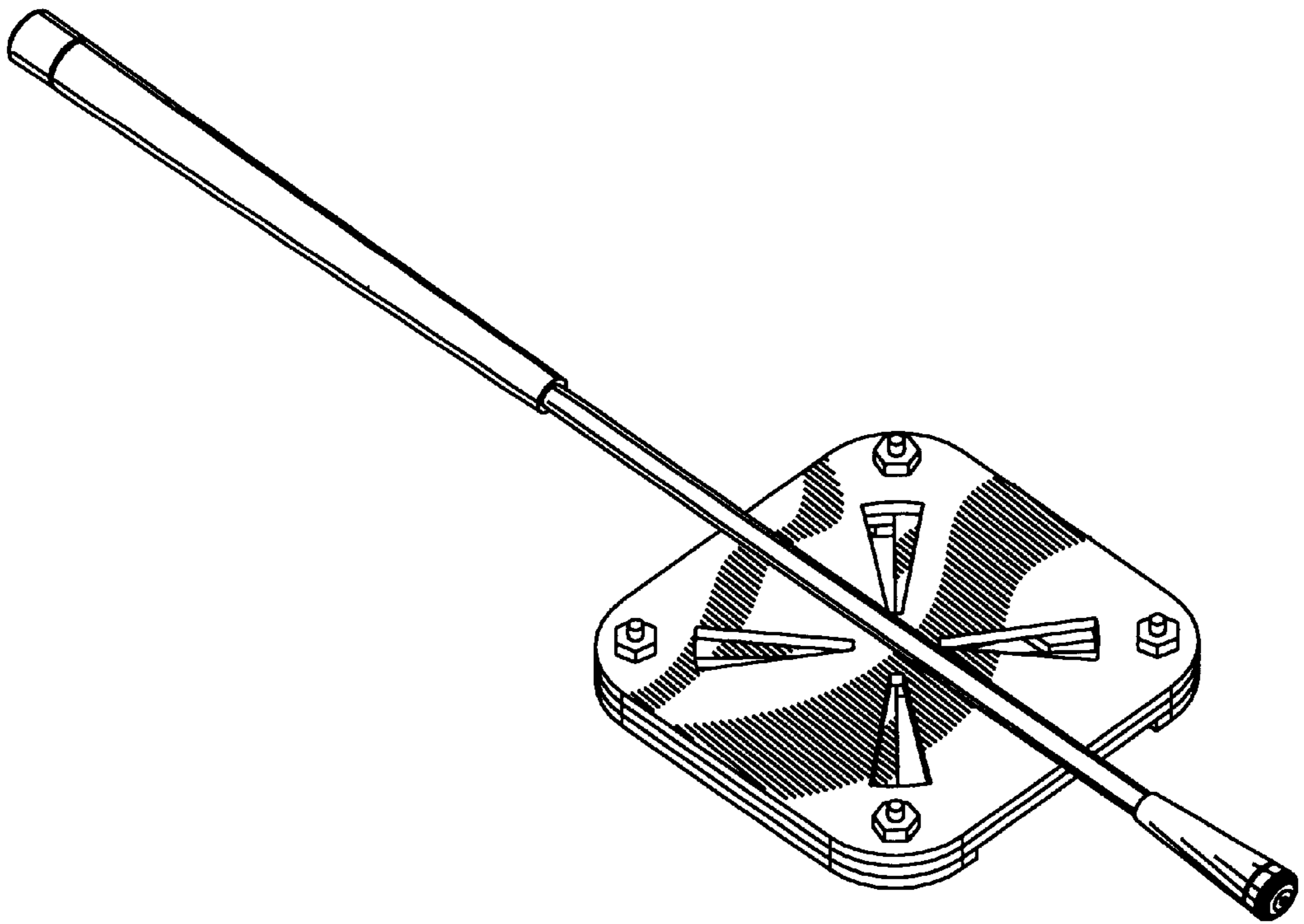


FIG. 8



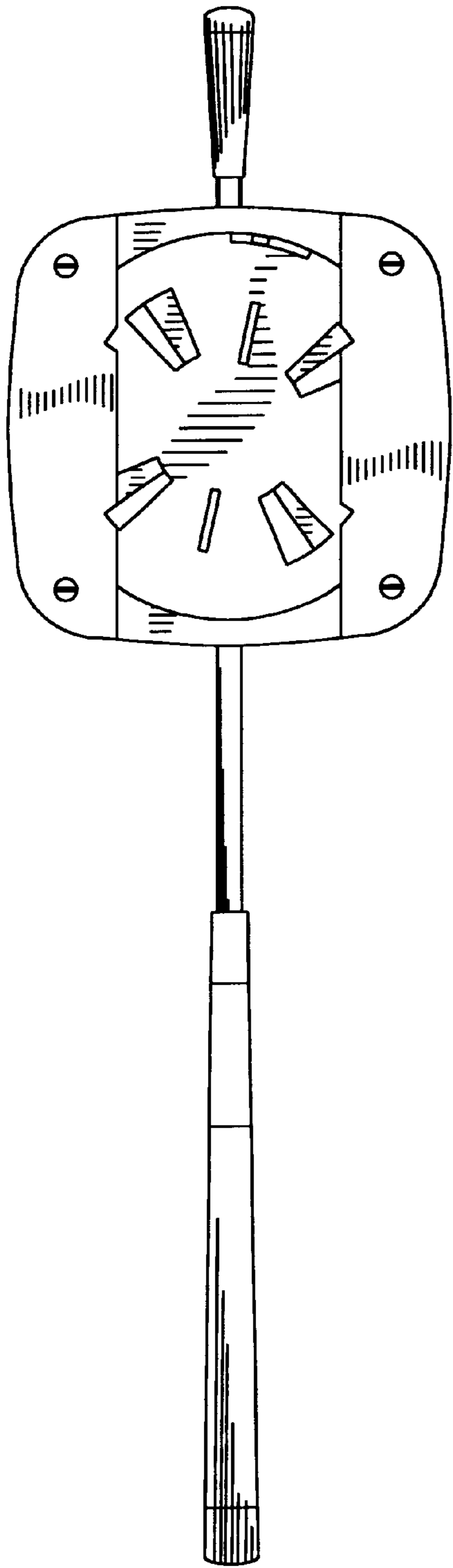


FIG. 9

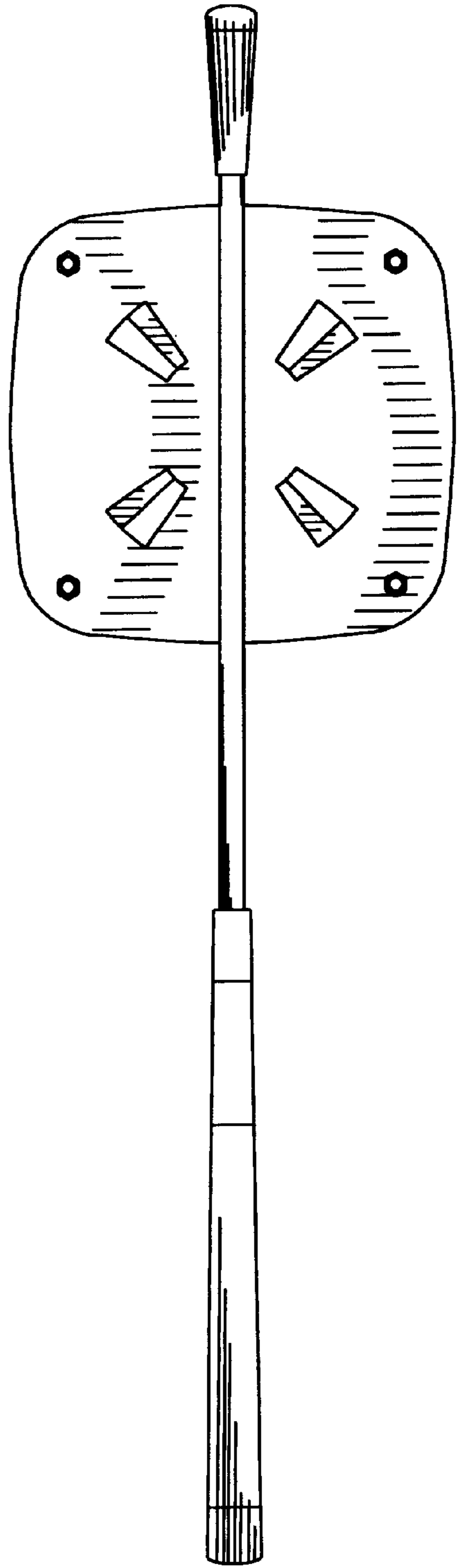


FIG. 10

FIG. 11

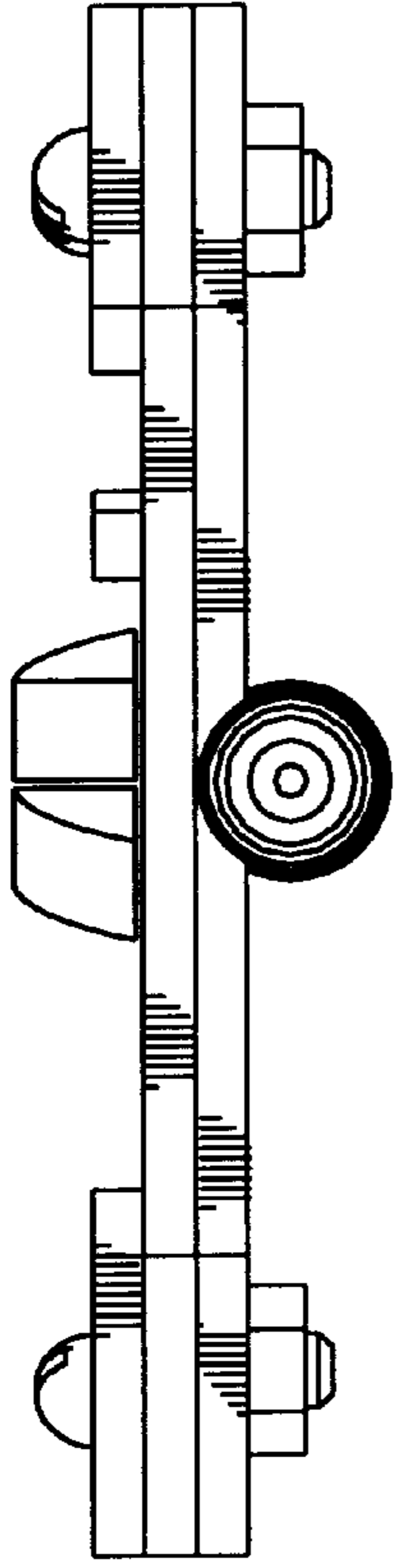


FIG. 12

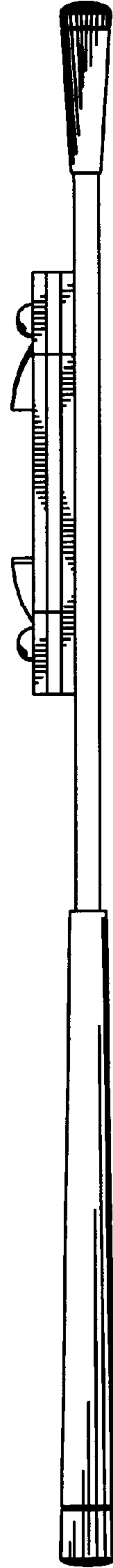


FIG. 13

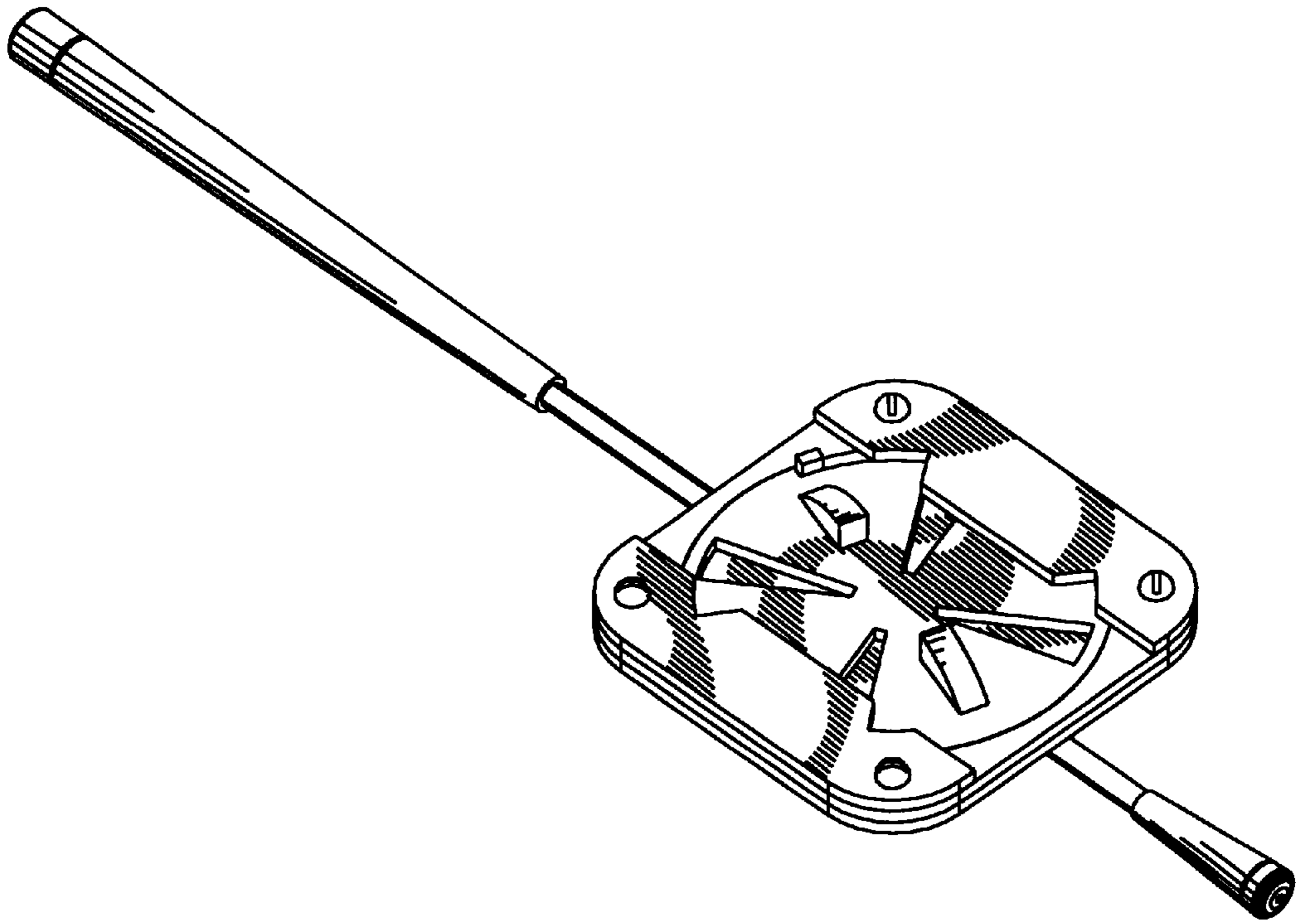
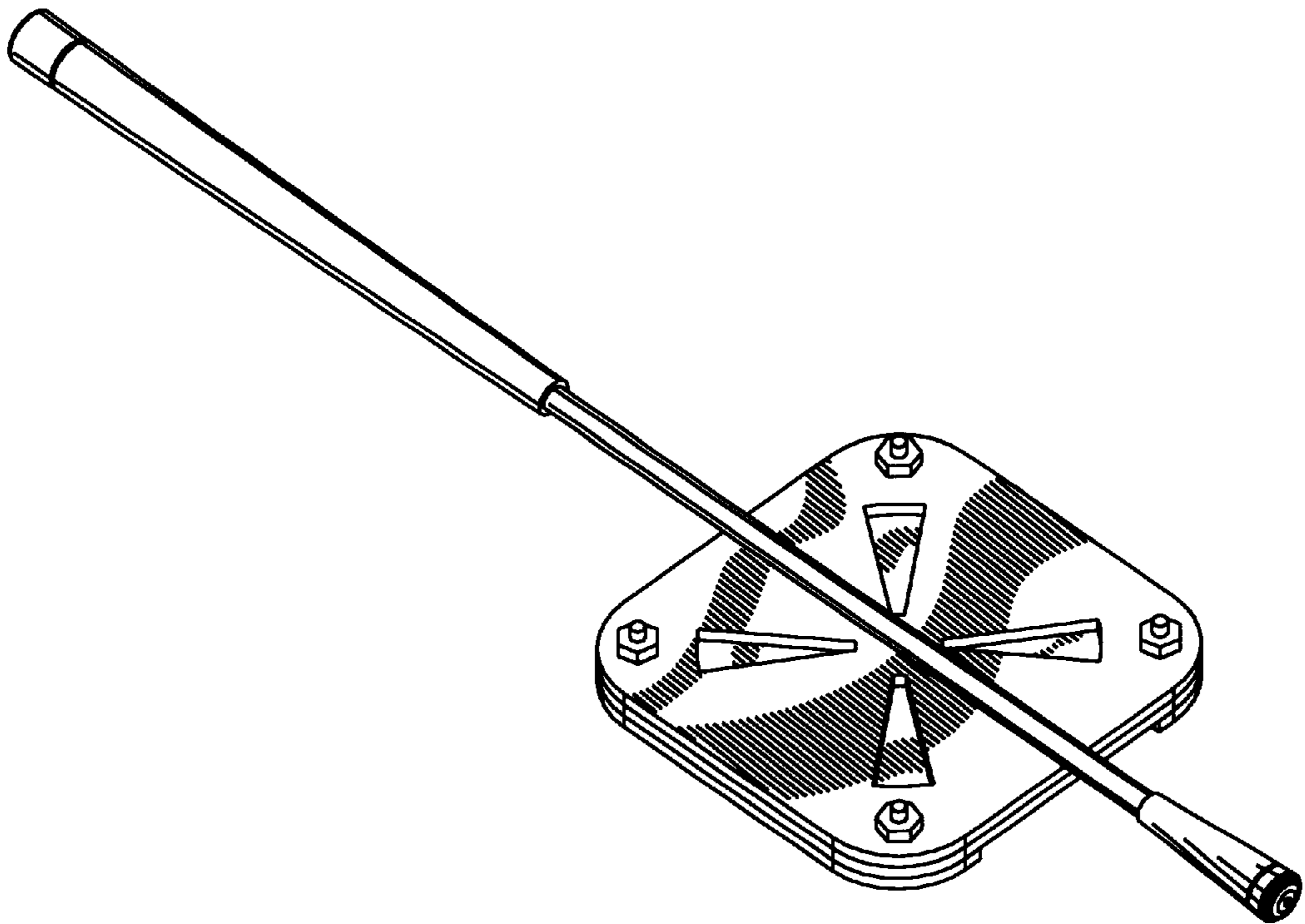


FIG. 14



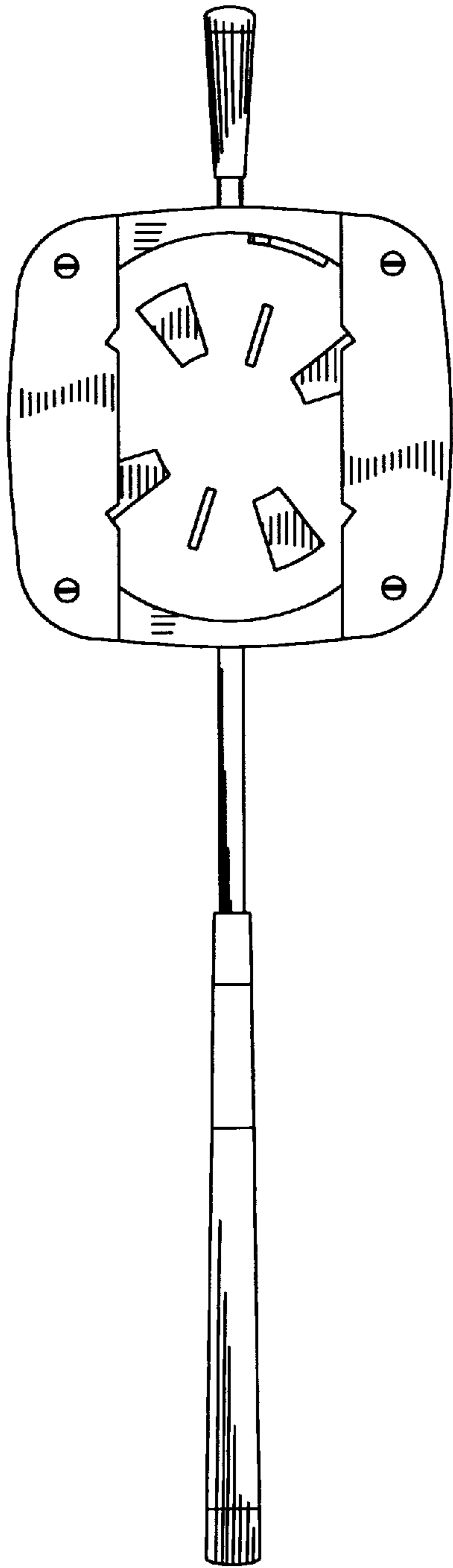


FIG. 15

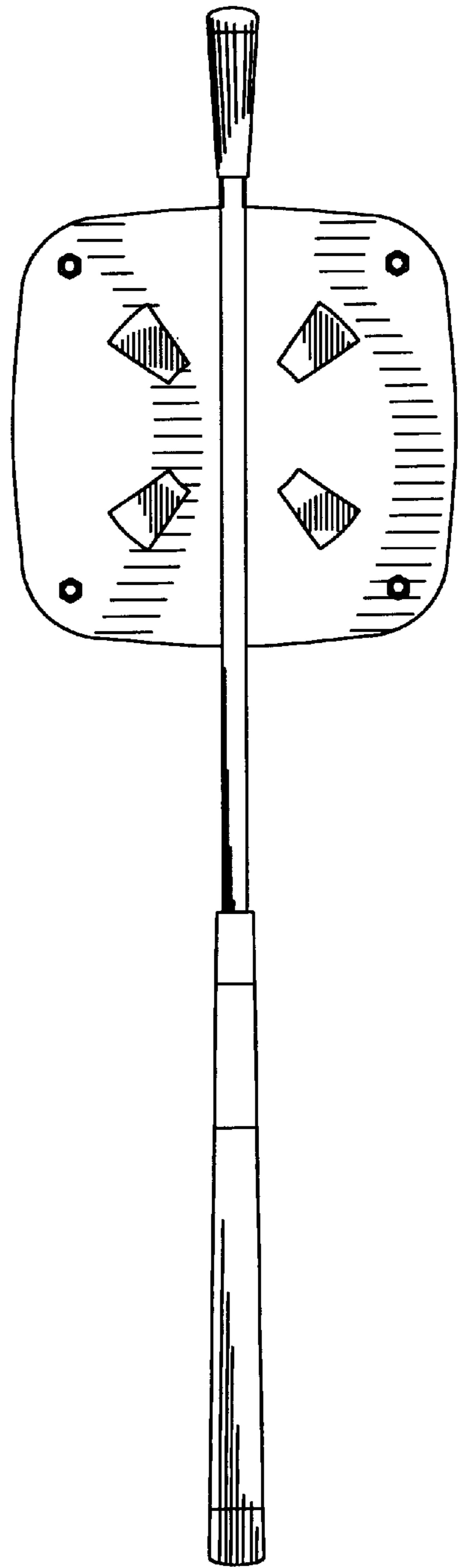


FIG. 16

FIG. 17

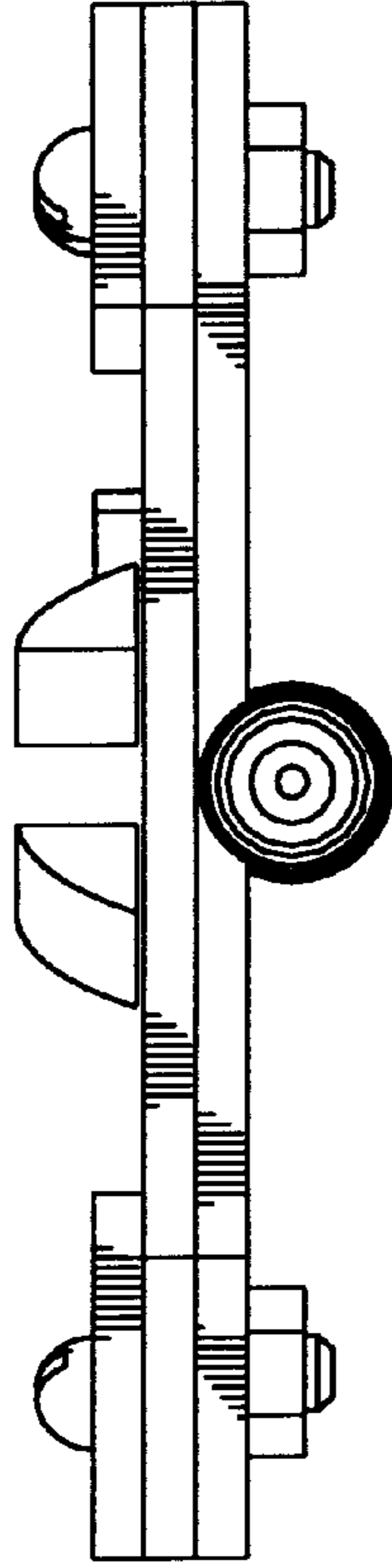


FIG. 18

