



US00D432195S

United States Patent [19]

[11] **Patent Number: Des. 432,195**

Yates

[45] **Date of Patent: ** Oct. 17, 2000**

[54] **DEVICE FOR RETRIEVAL AND PLACEMENT OF GOLF BALLS AND GOLF TEES**

Primary Examiner—Mitchell Siegel
Attorney, Agent, or Firm—Thomas R. Lampe

[76] Inventor: **Patrick D. Yates**, 21417 Brewer Rd.,
Grass Valley, Calif. 95949

[57] **CLAIM**

[**] Term: **14 Years**

The ornamental design for device for retrieval and placement of golf balls and golf tees, as shown and described.

[21] Appl. No.: **29/113,929**

DESCRIPTION

[22] Filed: **Nov. 15, 1999**

FIG. 1 is a perspective view of device for retrieval and placement of golf balls and golf tees showing my design; FIG. 2 is a front elevation view thereof; FIG. 3 is a bottom view thereof; FIG. 4 is a left side elevation view thereof; FIG. 5 is a top view thereof; FIG. 6 is a right side elevation view thereof; FIG. 7 is a rear elevation view thereof; and, FIG. 8 is an auxiliary view thereof taken along line 8—8 of FIG. 4.

[51] **LOC (7) Cl.** **21-02**

[52] **U.S. Cl.** **D21/789**

[58] **Field of Search** D21/789; 473/132–137

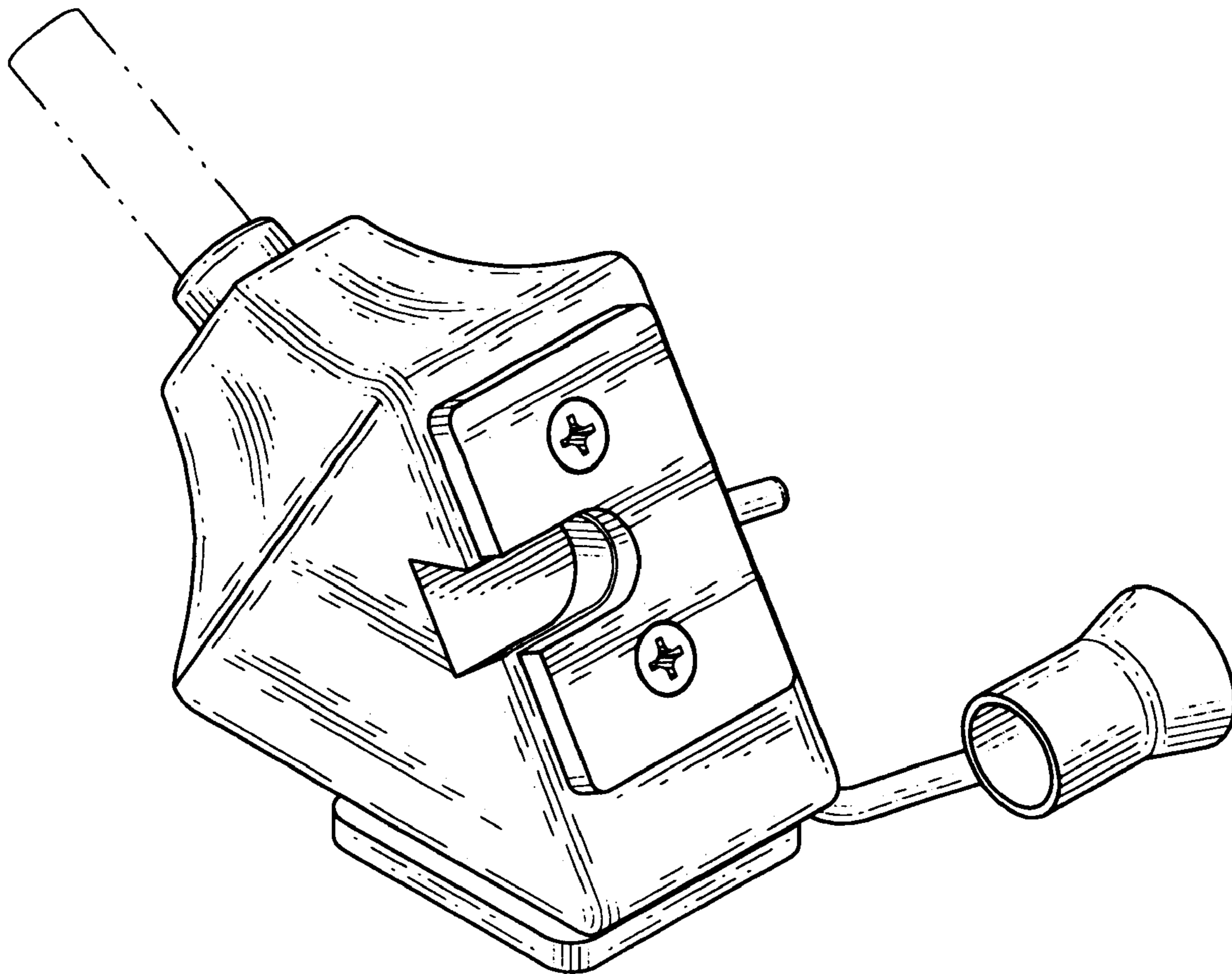
[56] **References Cited**

U.S. PATENT DOCUMENTS

D. 416,971	11/1999	Yates	D21/789
4,995,614	2/1991	Tange	473/137
5,895,325	4/1999	Tomey	473/134
5,971,862	10/1999	Yates	473/137

The broken line showing of a portion of a hand held support shaft in the drawings is for illustrative purposes only and forms no part of the claimed design.

1 Claim, 2 Drawing Sheets



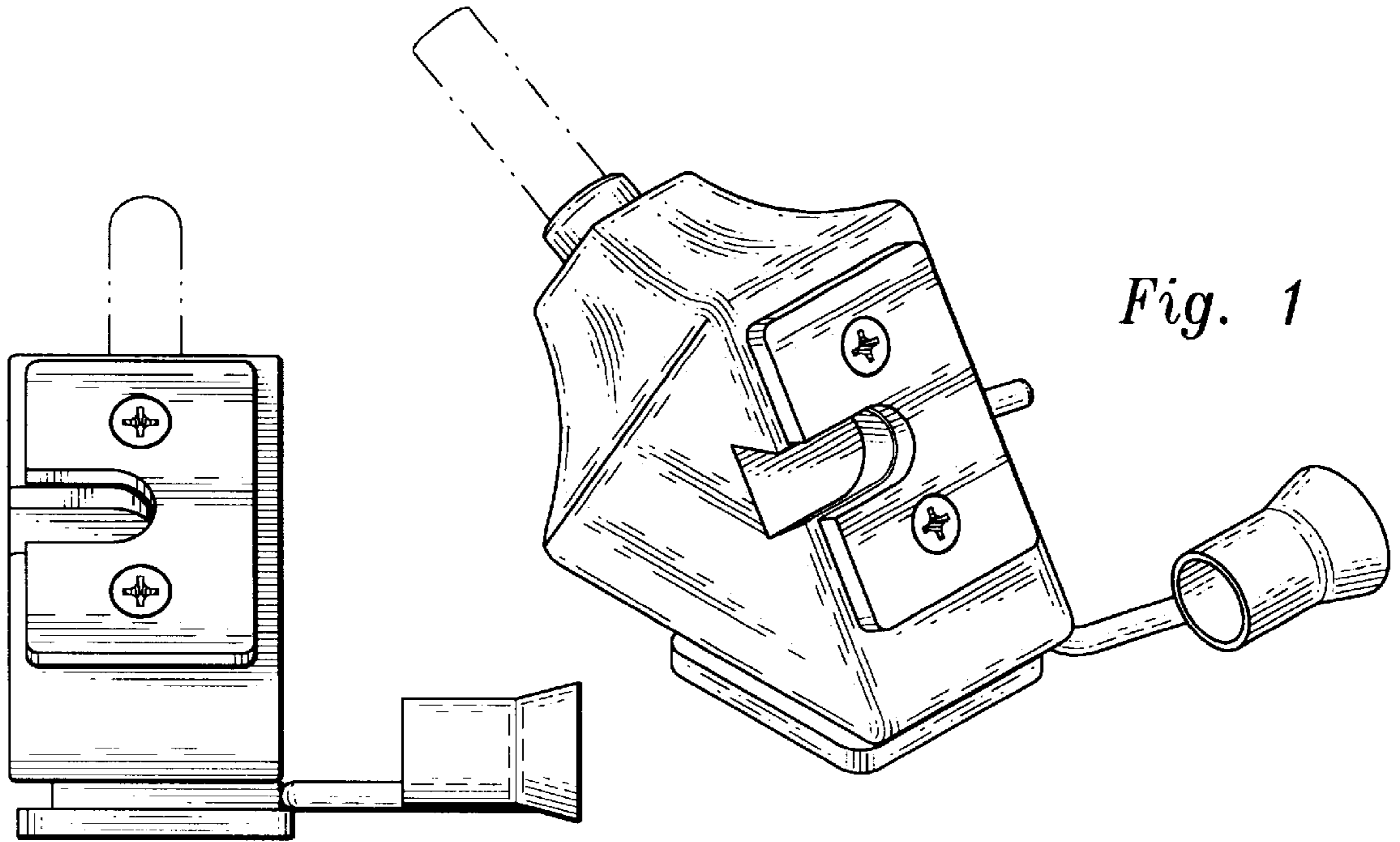


Fig. 2

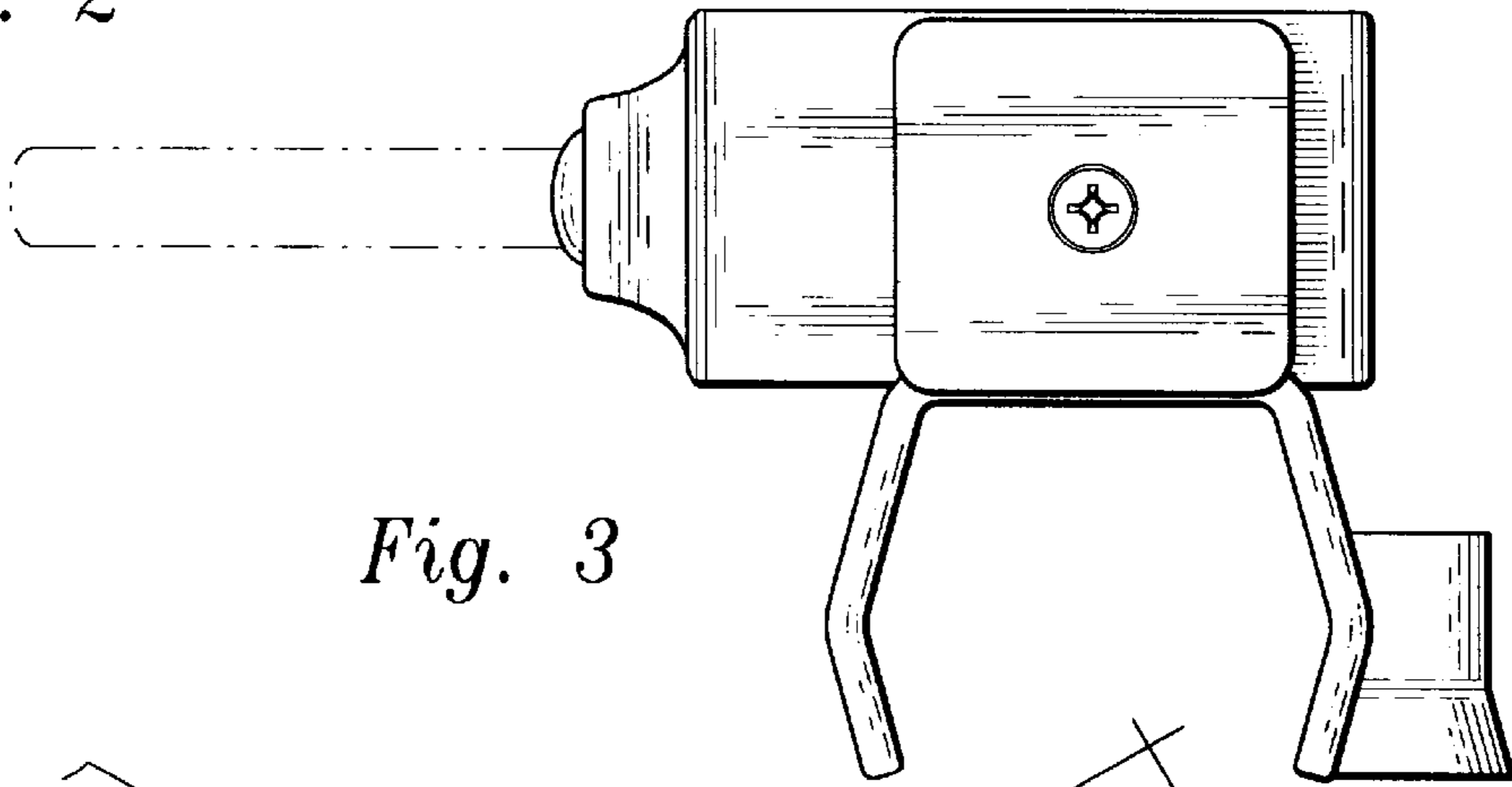


Fig. 3

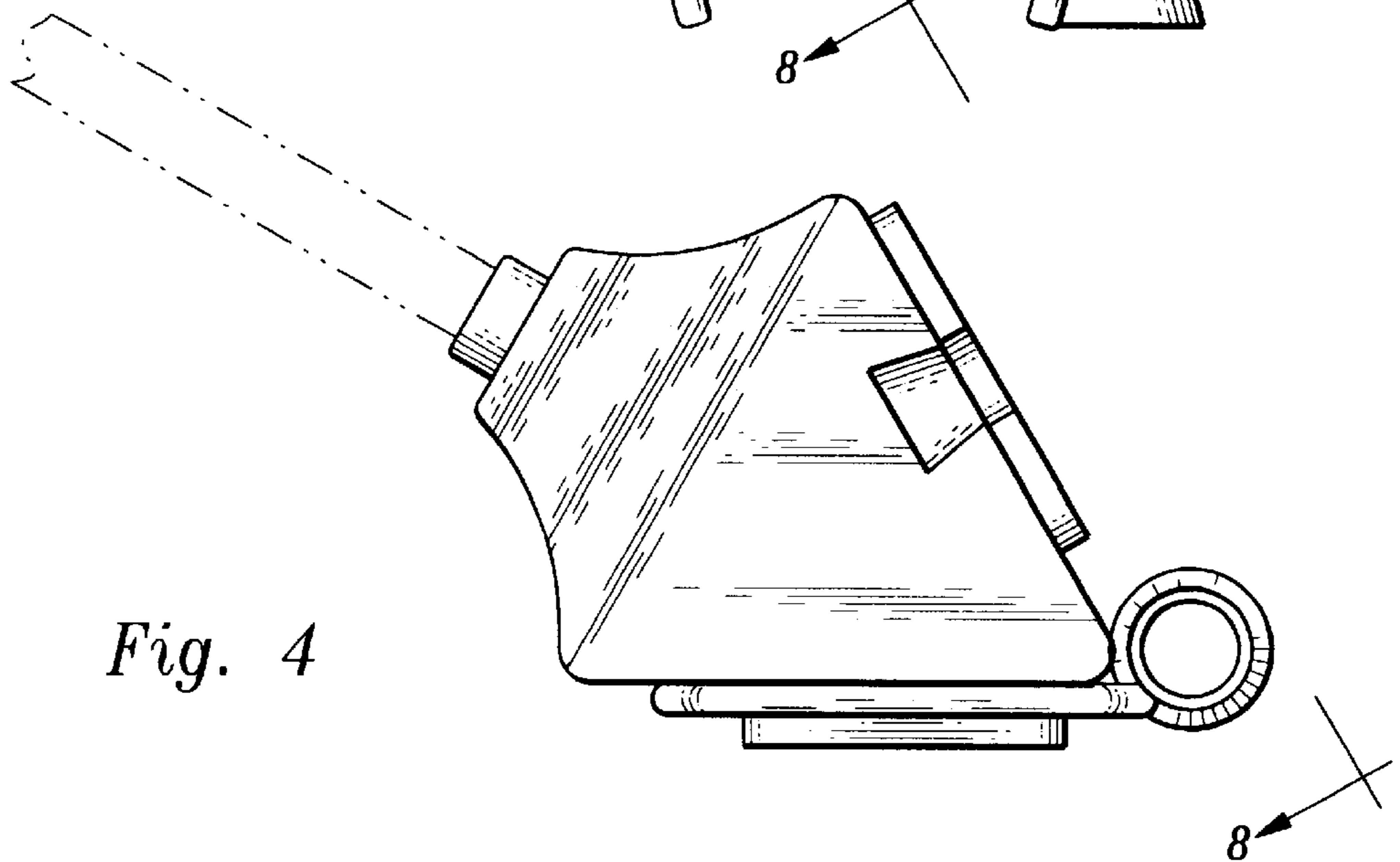


Fig. 4

