



US00D432192S

# United States Patent [19] Hicks

[11] Patent Number: Des. 432,192

[45] Date of Patent: \*\* Oct. 17, 2000

[54] Putter Head

[75] Inventor: David Raymond Hicks, Burley, United Kingdom

[73] Assignee: Higar Engineering & Automation Company Ltd., Hampshire, United Kingdom

[\*\*] Term: 14 Years

[21] Appl. No.: 29/116,374

[22] Filed: Dec. 30, 1999

### Related U.S. Application Data

[62] Division of application No. 29/092,694, Aug. 25, 1998, Pat. No. Des. 422,655.

### Foreign Application Priority Data

Feb. 26, 1998 [GB] United Kingdom ..... 2072794  
Feb. 26, 1998 [GB] United Kingdom ..... 2072797

[51] LOC (7) Cl. .... 21-02

[52] U.S. Cl. .... D21/736

[58] Field of Search ..... D21/736-746;  
473/324, 340, 342, 251-256

### References Cited

#### U.S. PATENT DOCUMENTS

- D. 235,074 5/1975 McCabe ..... D21/742
- D. 263,409 3/1982 Duclos ..... D21/743
- D. 297,445 8/1988 Shearer ..... D21/742
- D. 297,446 8/1988 Shearer ..... D21/742
- D. 318,088 7/1991 Antonious ..... D21/736
- D. 333,863 3/1993 Shenoha et al. .... 473/341
- D. 362,882 10/1995 Shenoha et al. .... D21/736
- D. 374,049 9/1996 Shenoha et al. .... D21/736
- D. 378,390 3/1997 Shumway ..... D21/736
- D. 380,514 7/1997 Markley ..... D21/742
- 3,923,308 12/1975 Mills .
- 5,340,106 8/1994 Ravaris .
- 5,407,196 4/1995 Busnardo ..... 473/340

- 5,429,356 7/1995 Dingle et al. .
- 5,439,222 8/1995 Kranenberg .
- 5,458,332 10/1995 Fisher .
- 5,462,279 10/1995 Culpepper .
- 5,485,997 1/1996 Schmidt et al. .
- 5,531,445 7/1996 Levocz et al. .
- 5,542,665 8/1996 Levocz et al. .
- 5,544,883 8/1996 Meyer .
- 5,571,053 11/1996 Lane .
- 5,603,666 2/1997 Bowe .
- 5,632,694 5/1997 Lee .
- 5,716,287 2/1998 Levocz et al. .

### FOREIGN PATENT DOCUMENTS

- 1008972 11/1965 United Kingdom .
- 1129315 10/1968 United Kingdom .
- 2195086 3/1990 United Kingdom .
- 2281041 5/1996 United Kingdom .
- 2301041 11/1996 United Kingdom .
- 2298801 4/1998 United Kingdom .
- 2295774 7/1998 United Kingdom .
- WO 90/06157 6/1990 WIPO .

### OTHER PUBLICATIONS

Catalog—Today's Golfer by What Gear 1998.

Primary Examiner—Mitchell Siegel

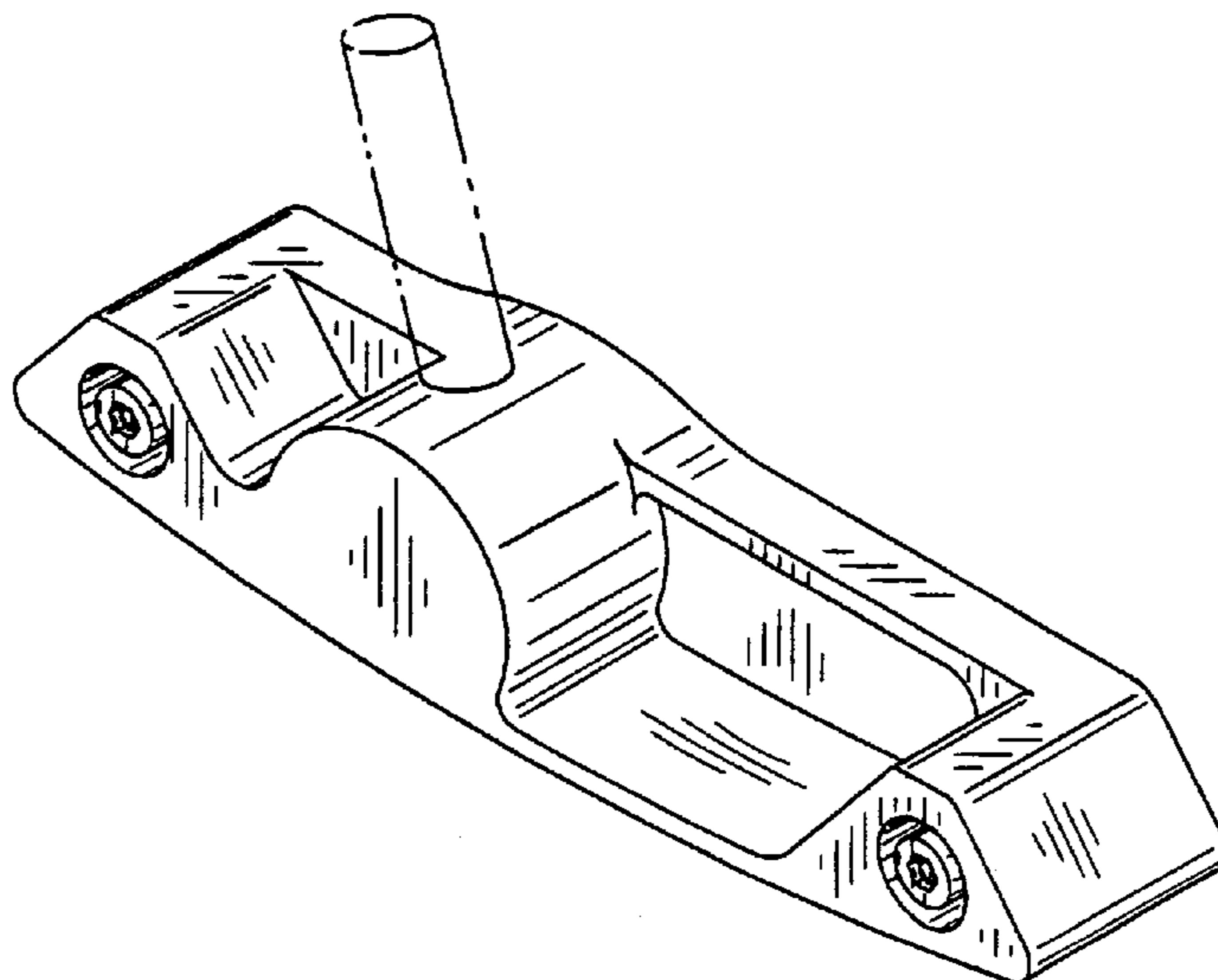
### [57] CLAIM

The ornamental design for the putter head, as shown and described.

### DESCRIPTION

FIG. 1 is a perspective view of the putter head design; FIG. 2 is a top view of the putter head design; FIG. 3 is a side view of the putter head design; FIG. 4 is a rear view of the putter head design; and, FIG. 5 is a front view of the putter head design. The broken line showing of a fragmented shaft is for illustrative purposes only and forms no part of the claimed design.

1 Claim, 1 Drawing Sheet



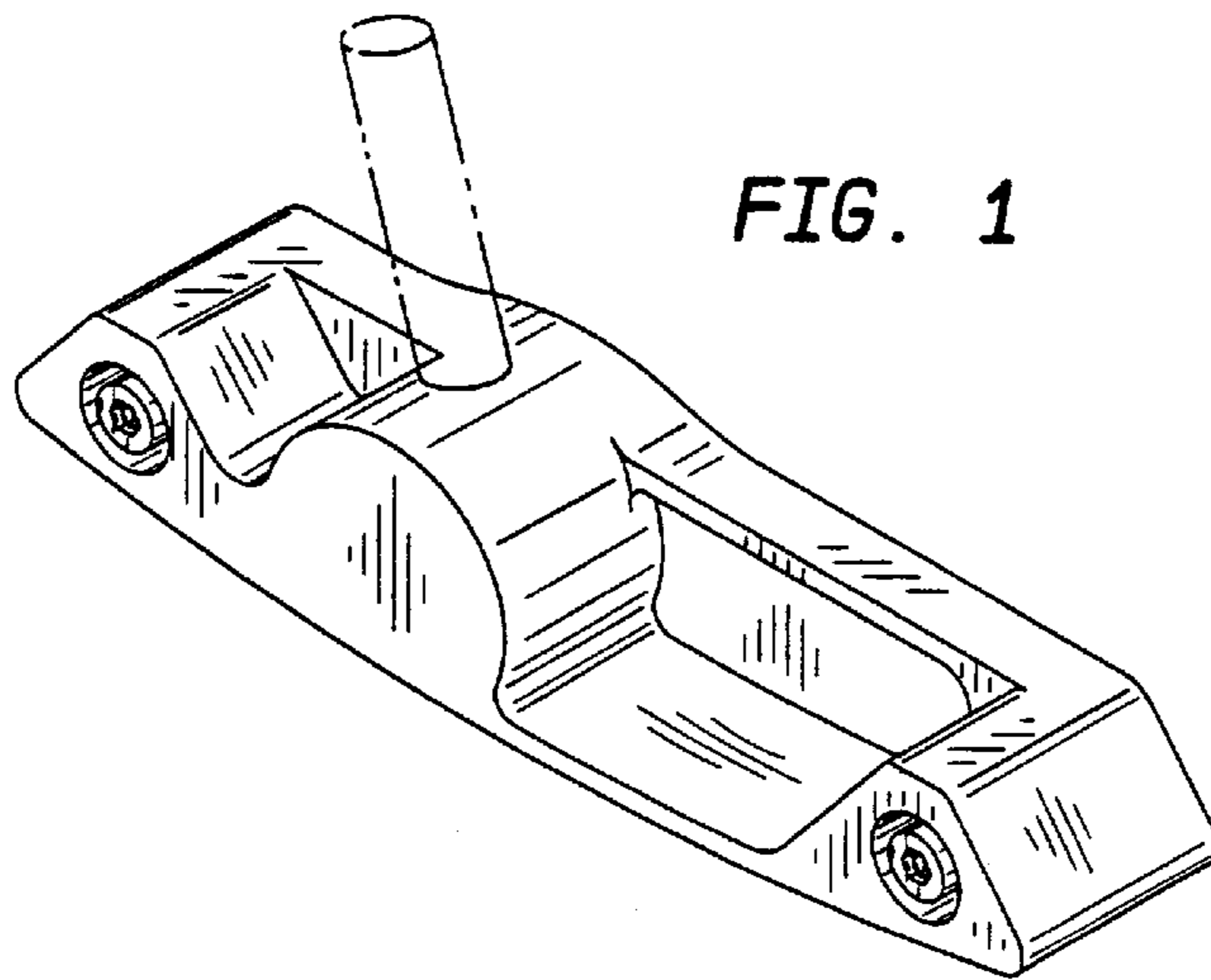


FIG. 1

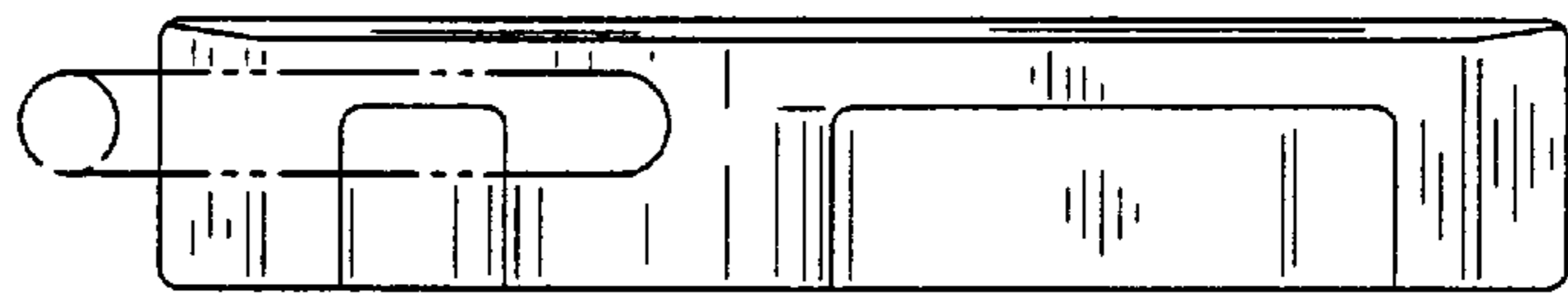


FIG. 2

FIG. 3

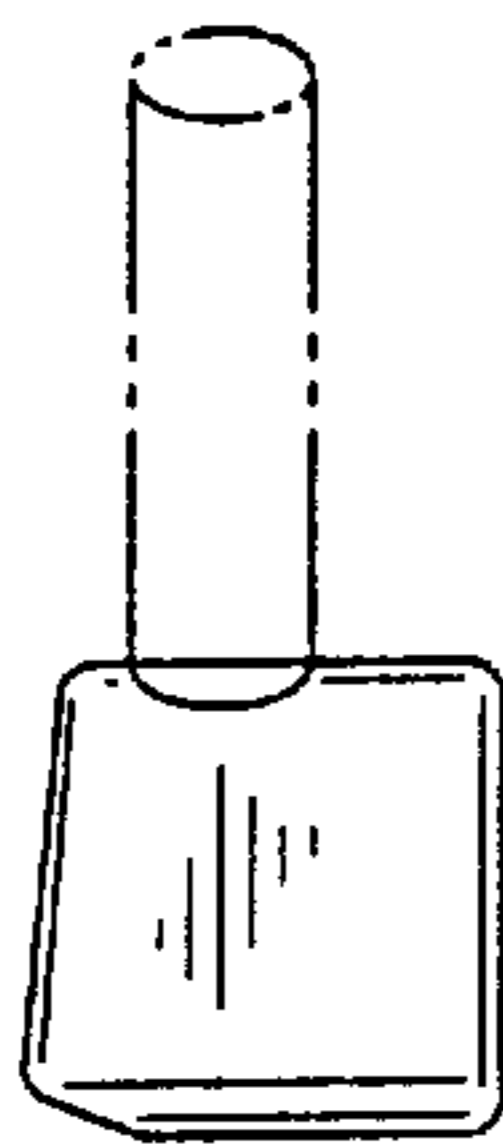


FIG. 4

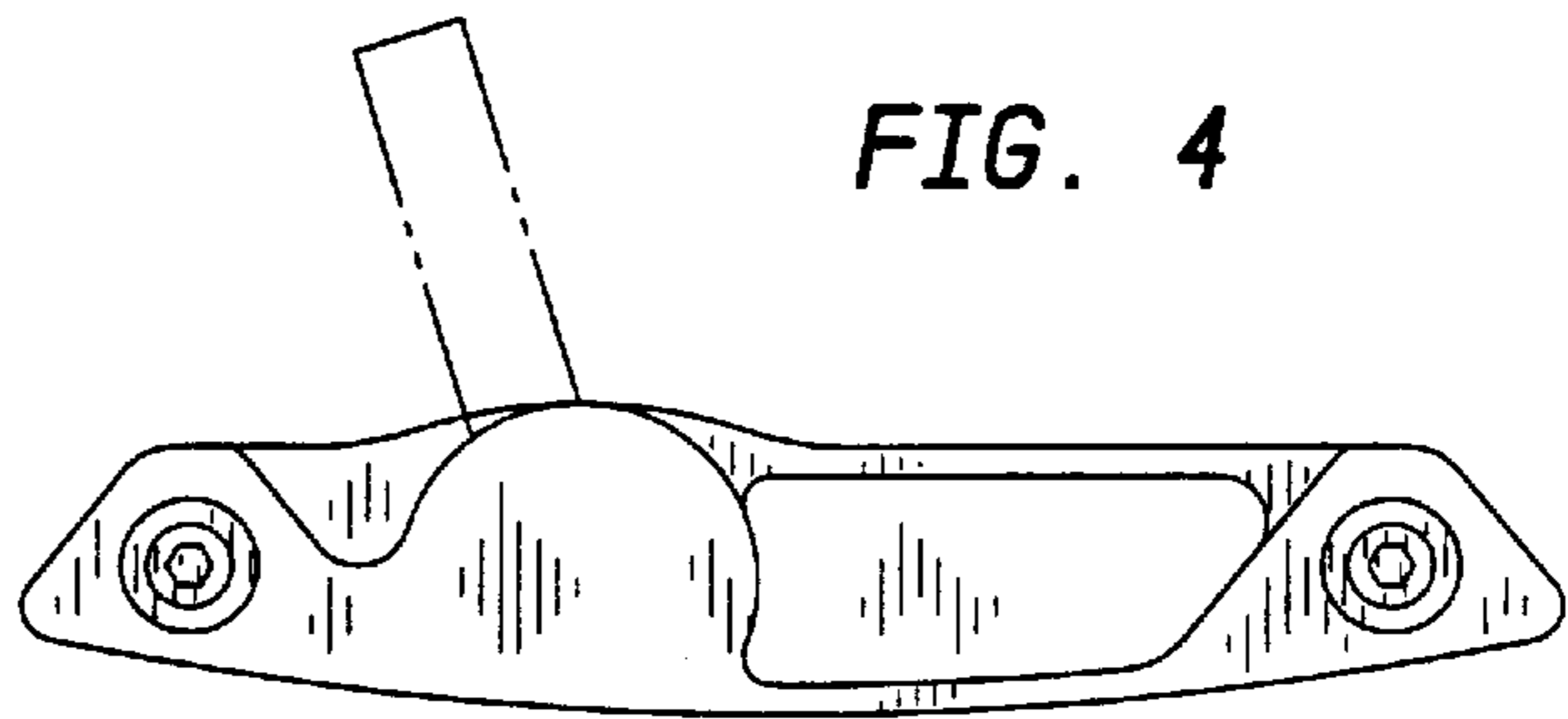


FIG. 5

