



US00D432188S

United States Patent [19]

Lohmann et al.

[11] Patent Number: Des. 432,188

[45] Date of Patent: ** Oct. 17, 2000

[54] TOOTHIE FRUITIE GUY

[75] Inventors: Alicia Lohmann, St. Paul; Peggy Allen, Minneapolis, both of Minn.

[73] Assignees: Alicia H. Lohmann; Peggy J. Allen, both of Minneapolis, Minn.

[**] Term: 14 Years

[21] Appl. No.: 29/099,576

[22] Filed: Jan. 23, 1999

[51] LOC (7) Cl. 21-01

[52] U.S. Cl. D21/623; D21/627; D21/630

[58] Field of Search D4/104, 107, 113, D4/105; D19/64; D21/621-627, 629, 630, 658-661; 434/263; 446/296

[56] **References Cited**

U.S. PATENT DOCUMENTS

D. 209,574 12/1967 Zandberg et al. D4/107

D. 271,052	10/1983	Qually	D21/661
D. 301,726	6/1989	Williams	D21/627
D. 331,628	12/1992	Dodson et al.	D21/661
D. 366,961	2/1996	Barre	D4/107
4,763,375	8/1988	Vieten	D4/105

Primary Examiner—Ted Shooman
Assistant Examiner—Carol Rademaker

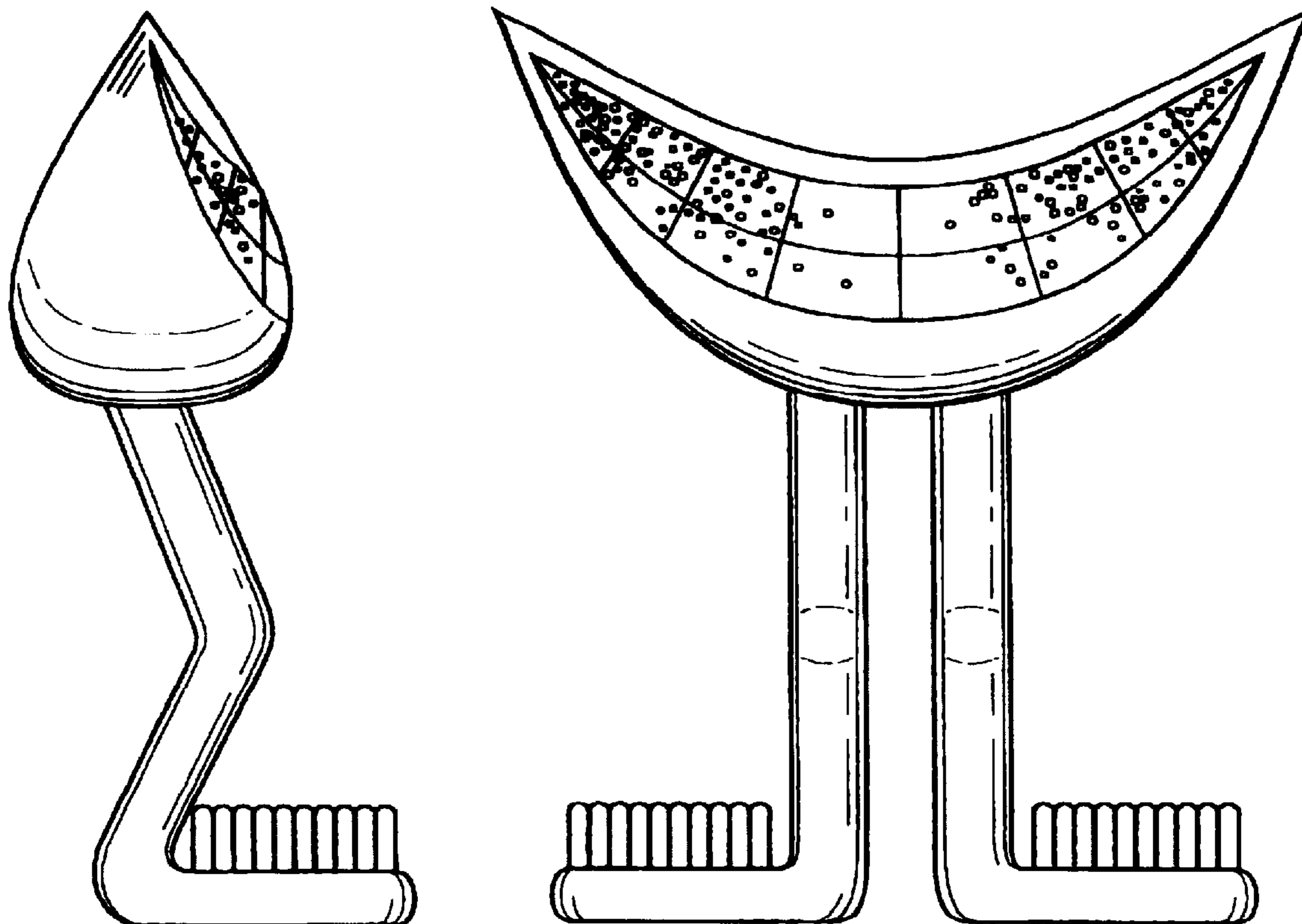
[57] **CLAIM**

The ornamental design for a toothie fruitie guy, as shown.

DESCRIPTION

FIG. 1 is a side view showing my new design;
FIG. 2 is a front view thereof;
FIG. 3 is a bottom view thereof;
FIG. 4 is a opposite side view thereof; and,
FIG. 5 is a rear view thereof.

1 Claim, 2 Drawing Sheets



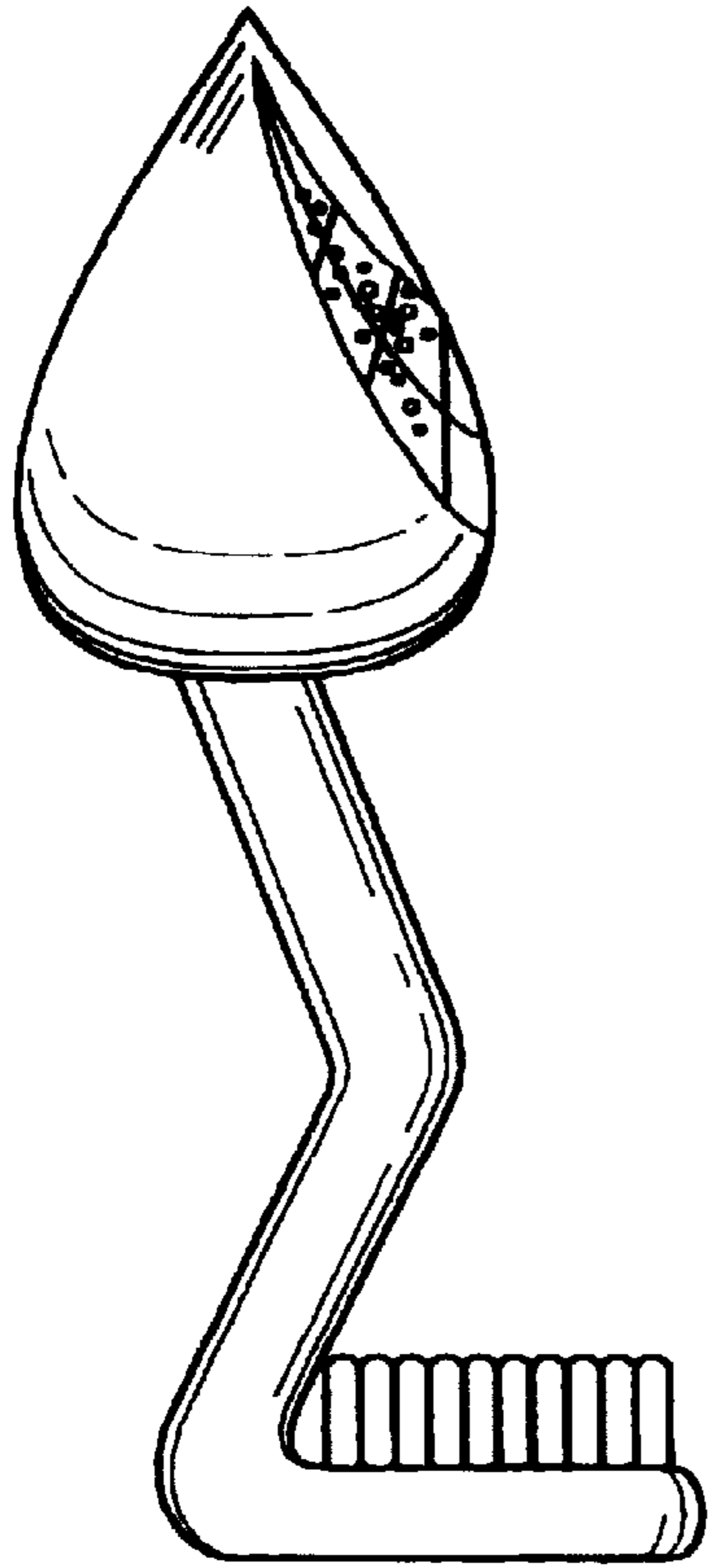


FIG. 1

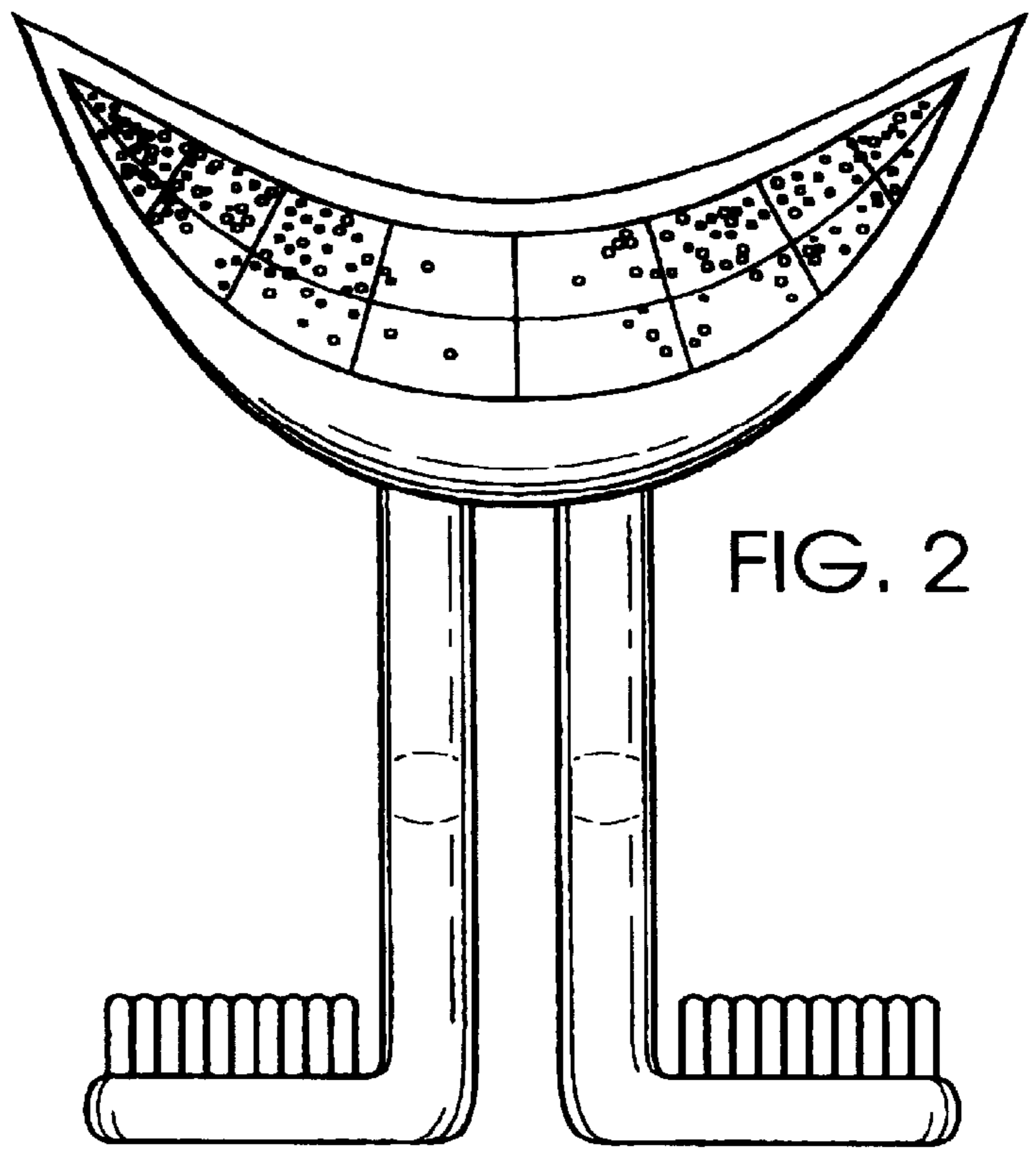


FIG. 2

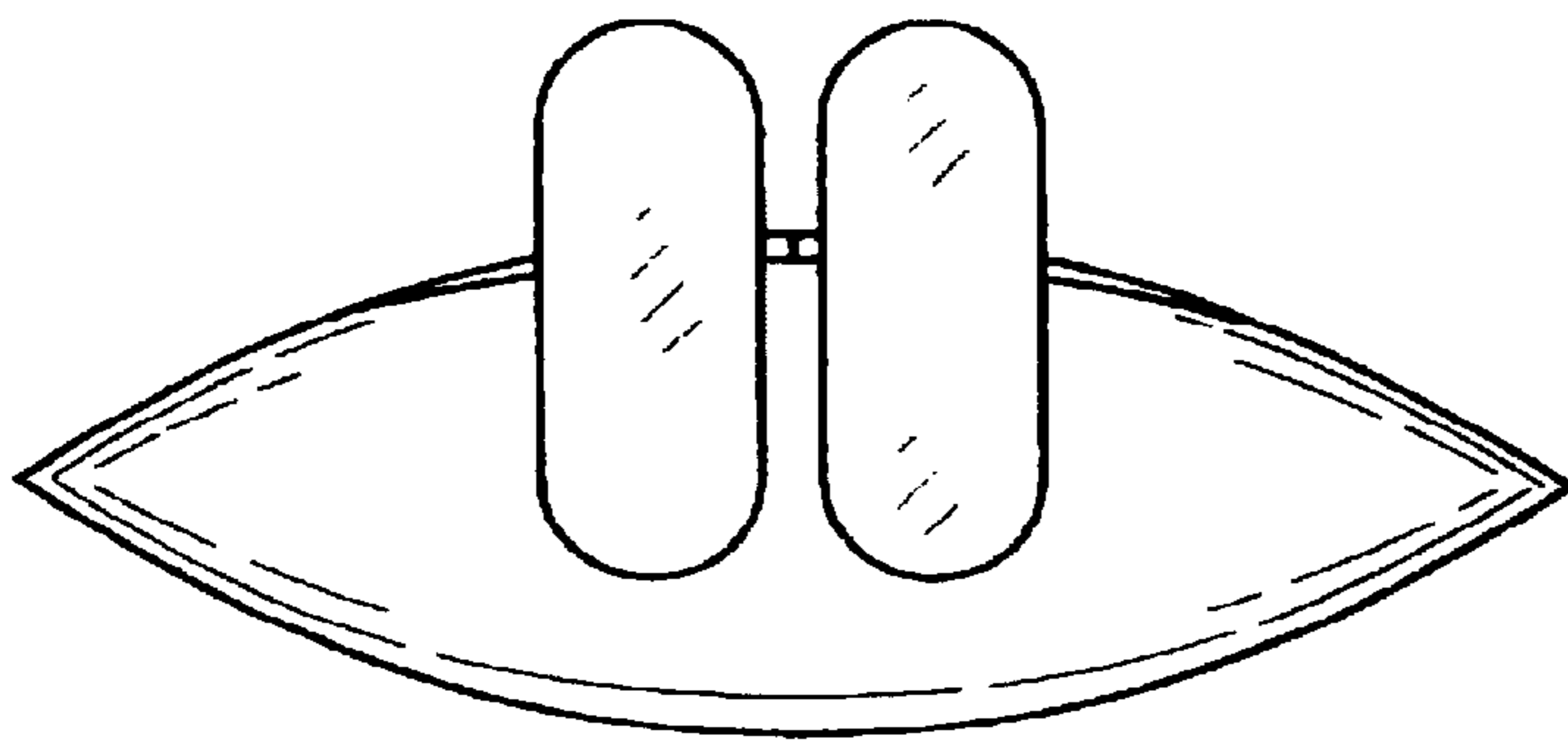


FIG. 3

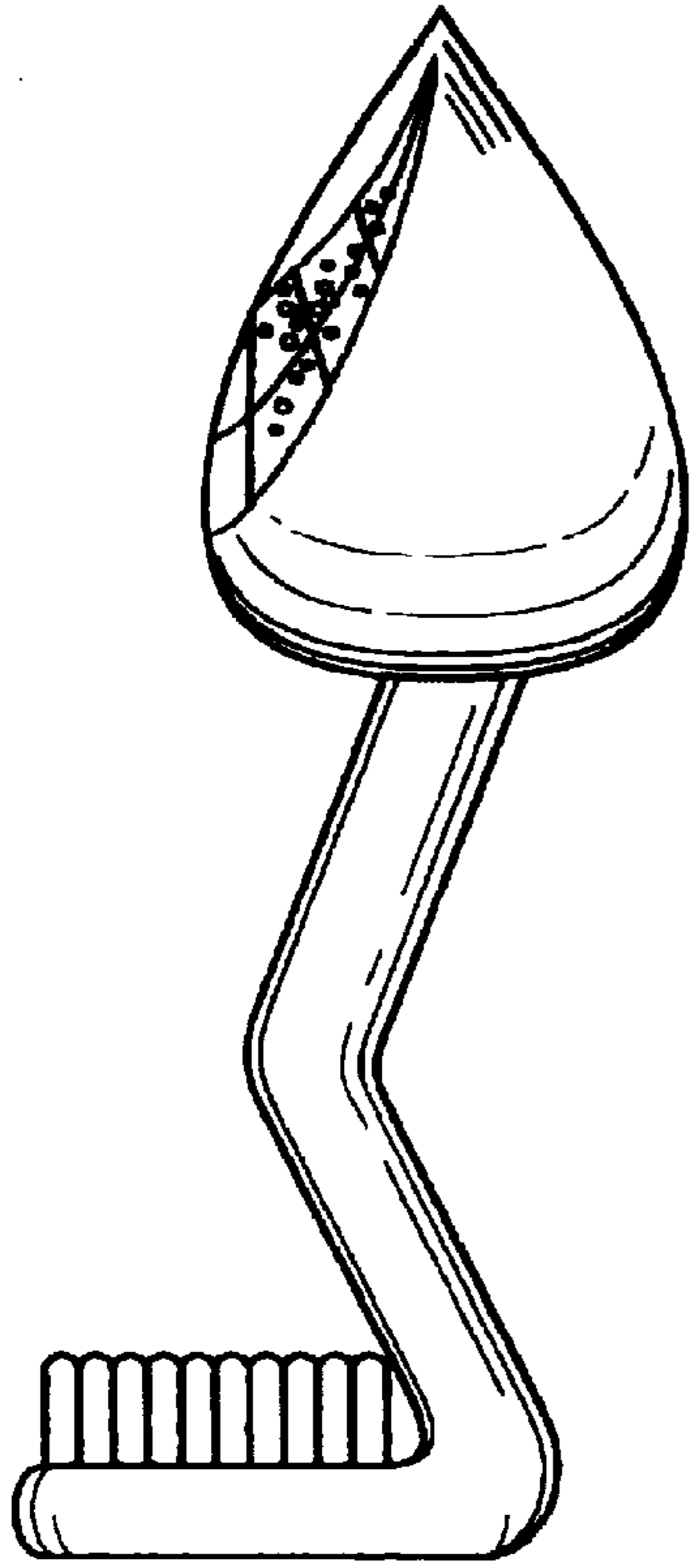


FIG. 4

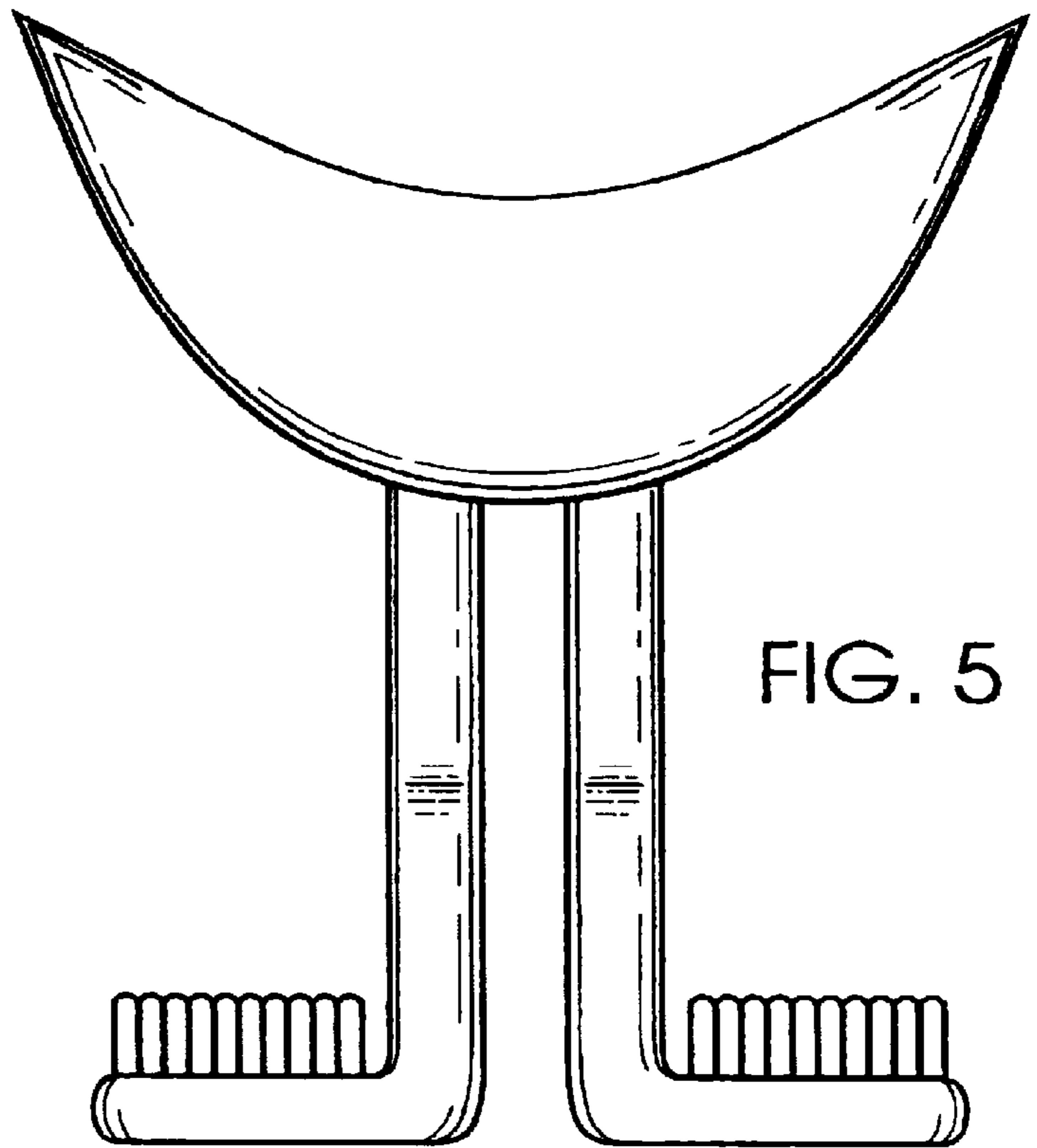


FIG. 5