



US00D432184S

United States Patent [19] Hulst

[11] Patent Number: **Des. 432,184**

[45] Date of Patent: **** Oct. 17, 2000**

[54] **AMUSEMENT CAR**

[75] Inventor: **Jason Hulst**, Pasadena, Calif.

[73] Assignee: **Disney Enterprises, Inc.**, Burbank, Calif.

[**] Term: **14 Years**

[21] Appl. No.: **29/116,490**

[22] Filed: **Jan. 5, 2000**

[51] **LOC (7) Cl.** **21-01**

[52] **U.S. Cl.** **D21/433**

[58] **Field of Search** D21/419-435,
D21/533-539, 548-551; D12/1, 16, 87,
88; 446/424, 425, 427, 433, 454, 456, 457,
465, 470; 280/87.01, 87.021, 828, 1.13

[56] **References Cited**

U.S. PATENT DOCUMENTS

D. 99,004	3/1936	Diemer	D21/433
D. 203,745	2/1966	Meyers	D12/87
D. 213,313	2/1969	Haskin	D12/87
D. 215,424	9/1969	Arnett	D12/87
D. 215,833	11/1969	Daniel	D12/87
D. 220,479	4/1971	Blanchette	D12/87
D. 221,567	8/1971	Cook et al.	D21/433

D. 346,195	4/1994	Delaney	D21/433
D. 353,413	12/1994	Hamlin	D21/433
D. 369,762	5/1996	Molzon et al.	D16/16
D. 395,929	7/1998	Bolfava	D21/433

OTHER PUBLICATIONS

Sears' catalog, p 594, 1981.
Sears Wishbook, p 579, 1992.

Primary Examiner—Raphael Barkai
Attorney, Agent, or Firm—Christopher Darrow

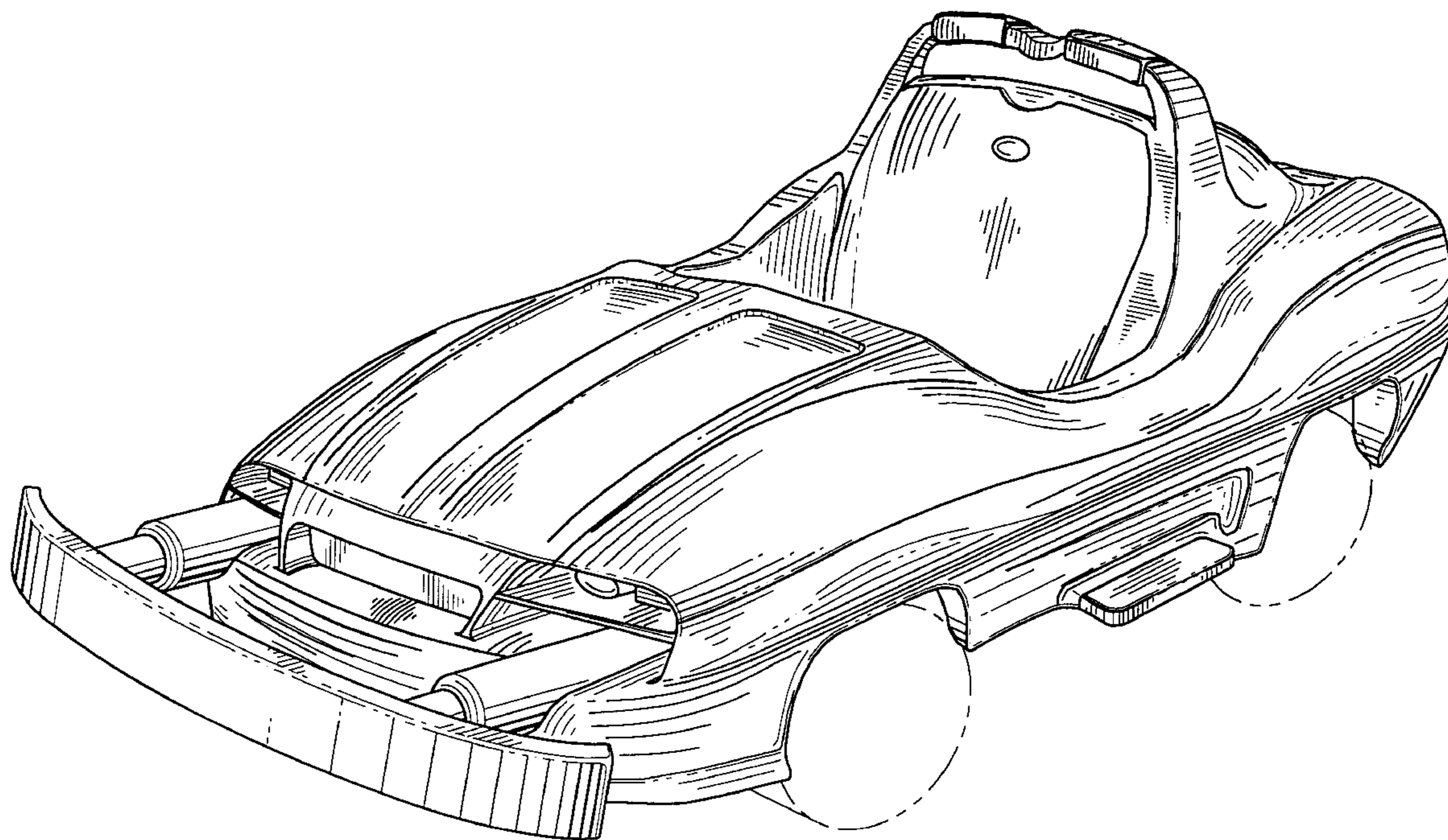
[57] **CLAIM**

The ornamental design for an amusement car, as shown and described.

DESCRIPTION

FIG. 1 is a front perspective view of an amusement car showing my new design;
FIG. 2 is a top plan view thereof;
FIG. 3 is a side elevation view thereof;
FIG. 4 is an opposite side elevation view thereof;
FIG. 5 is a front elevation view thereof; and,
FIG. 6 is a rear elevation view thereof.
The broken lines shown in FIGS. 1, and 3-6 are for illustrative purposes only and form no part of the claimed design.

1 Claim, 5 Drawing Sheets



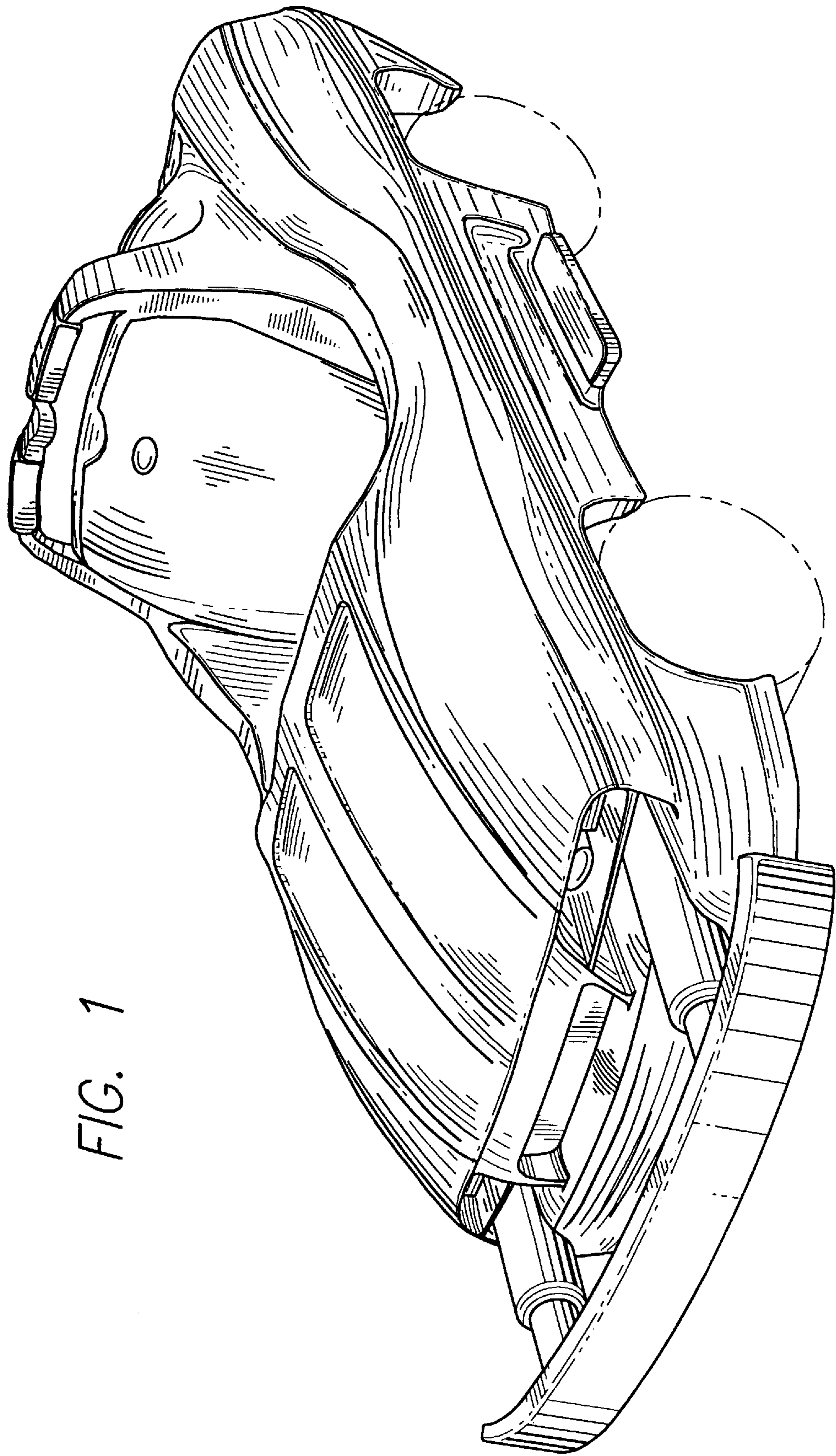


FIG. 1

FIG. 2

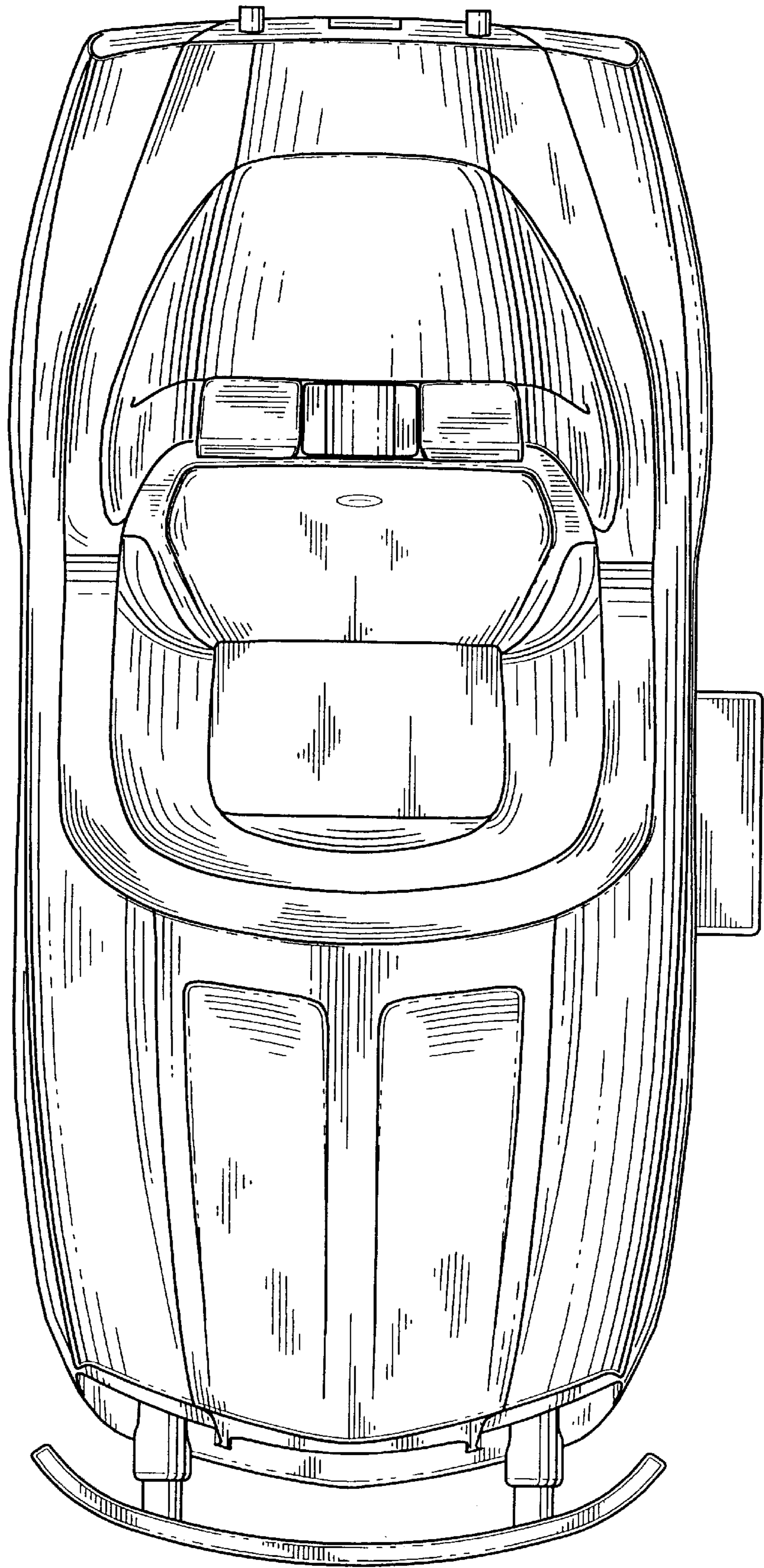


FIG. 3

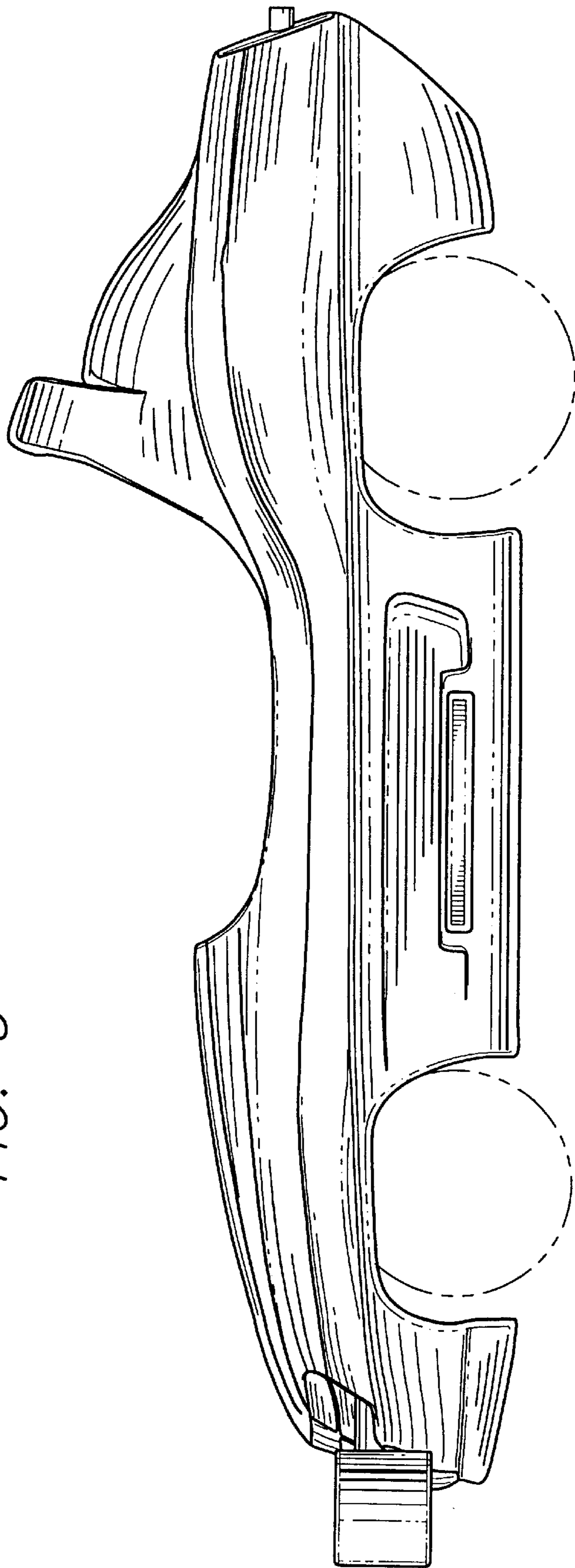
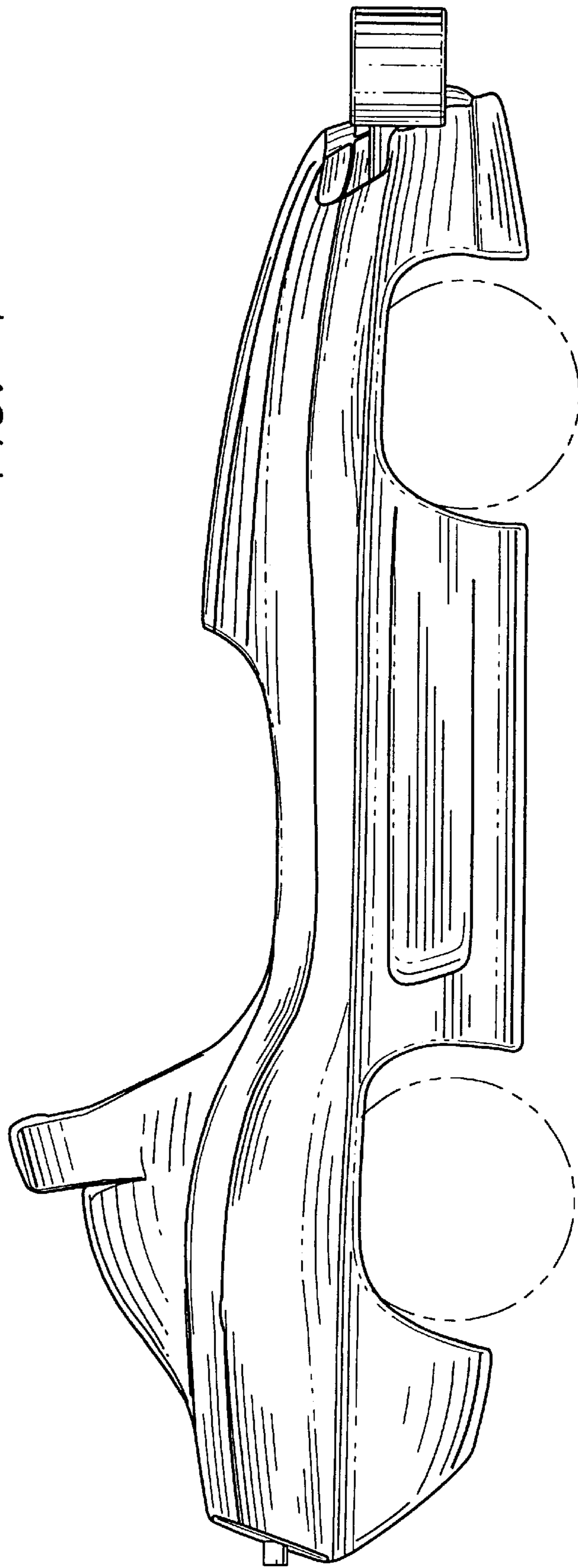


FIG. 4



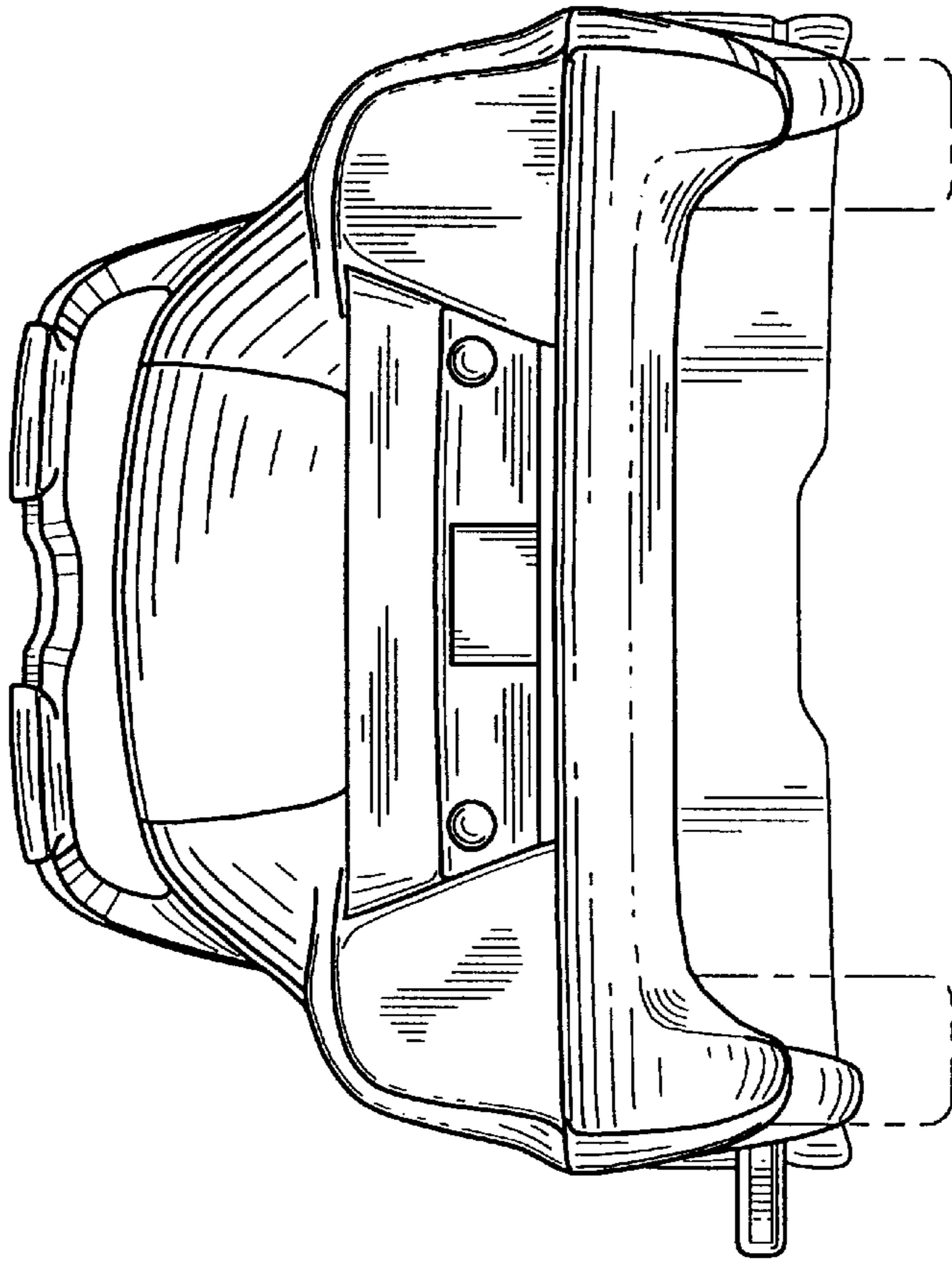


FIG. 5

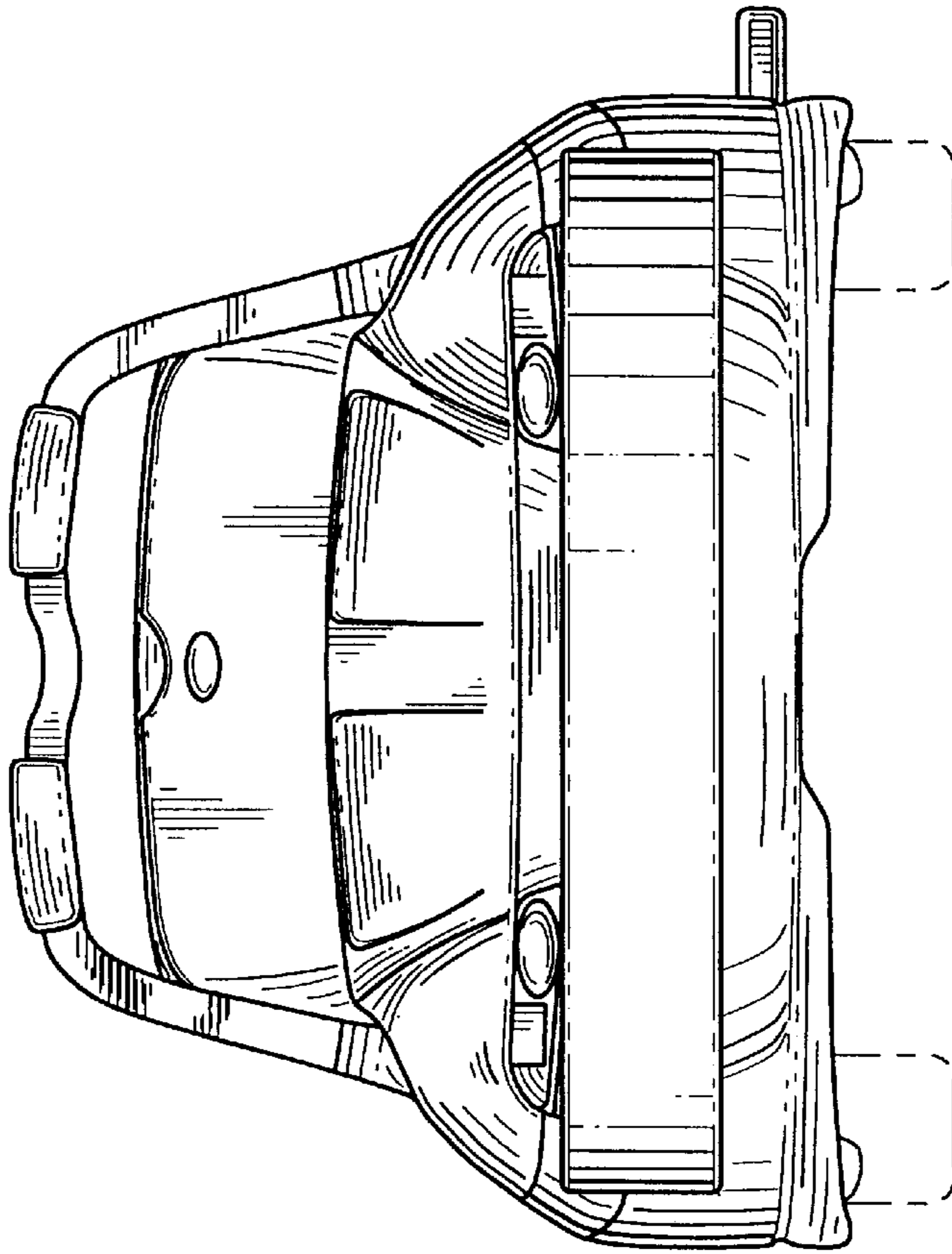


FIG. 6