

US00D432182S

# United States Patent [19]

Tuyl et al.

[11] **Patent Number: Des. 432,182**

[45] **Date of Patent: \*\* Oct. 17, 2000**

[54] **CHILD'S CAR**

[76] Inventors: **Eric Van Tuyl; Louise Van Tuyl**, both of 50 William St., Copiaque, N.Y. 11726

[\*\*] Term: **14 Years**

[21] Appl. No.: **29/112,619**

[22] Filed: **Oct. 20, 1999**

[51] **LOC (7) Cl. .... 21-01**

[52] **U.S. Cl. .... D21/433**

[58] **Field of Search** ..... D21/419-435, D21/533-539, 548-551; D12/1, 16, 87, 88; 446/424-425, 427, 433, 450, 454, 456-457, 465, 470; 280/87.01, 87.021, 828, 1.13

[56] **References Cited**

**U.S. PATENT DOCUMENTS**

- D. 200,101 1/1965 Smeaton ..... D12/87
- D. 215,424 9/1969 Arnett ..... D12/87
- D. 227,285 6/1973 Stobar ..... D21/433
- D. 255,810 7/1980 Bretschger .
- D. 346,195 4/1994 Delaney ..... D21/433
- D. 369,762 5/1996 Molzon et al. .... D21/16
- D. 390,890 2/1998 Lun .

- D. 416,056 11/1999 Wu ..... D21/433
- D. 423,604 4/2000 Yeh ..... D21/433
- 5,441,289 8/1995 Spielberg .

**FOREIGN PATENT DOCUMENTS**

2271516 4/1994 United Kingdom .

*Primary Examiner*—Raphael Barkai  
*Attorney, Agent, or Firm*—Richard C. Litman

[57] **CLAIM**

The ornamental design for a child's car, as shown and described.

**DESCRIPTION**

FIG. 1 is an environmental right side elevational view, with the left side being a mirror image, of a child's car showing our new design;

FIG. 2 is a top plan view thereof;

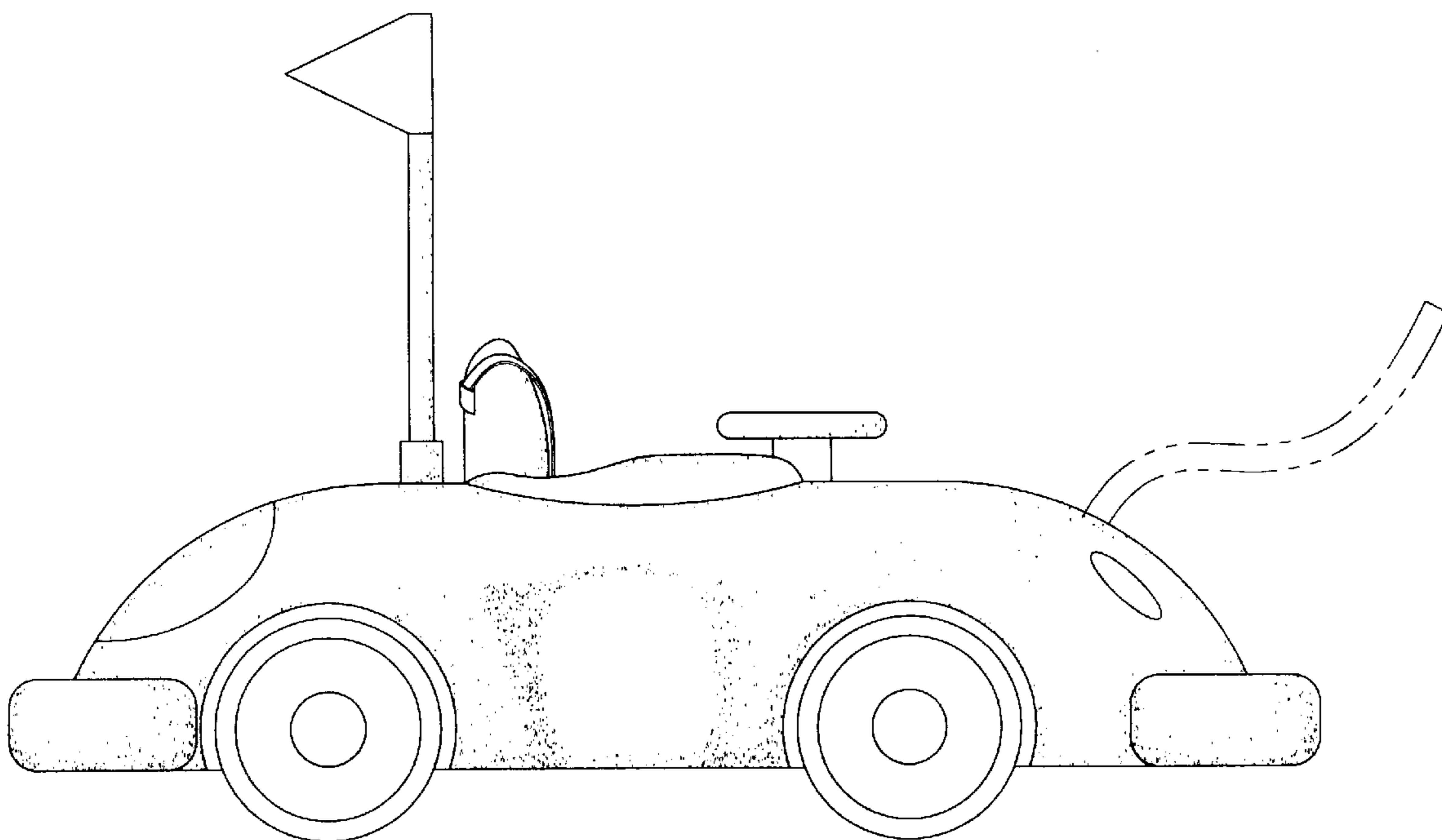
FIG. 3 is a rear elevational view thereof; and,

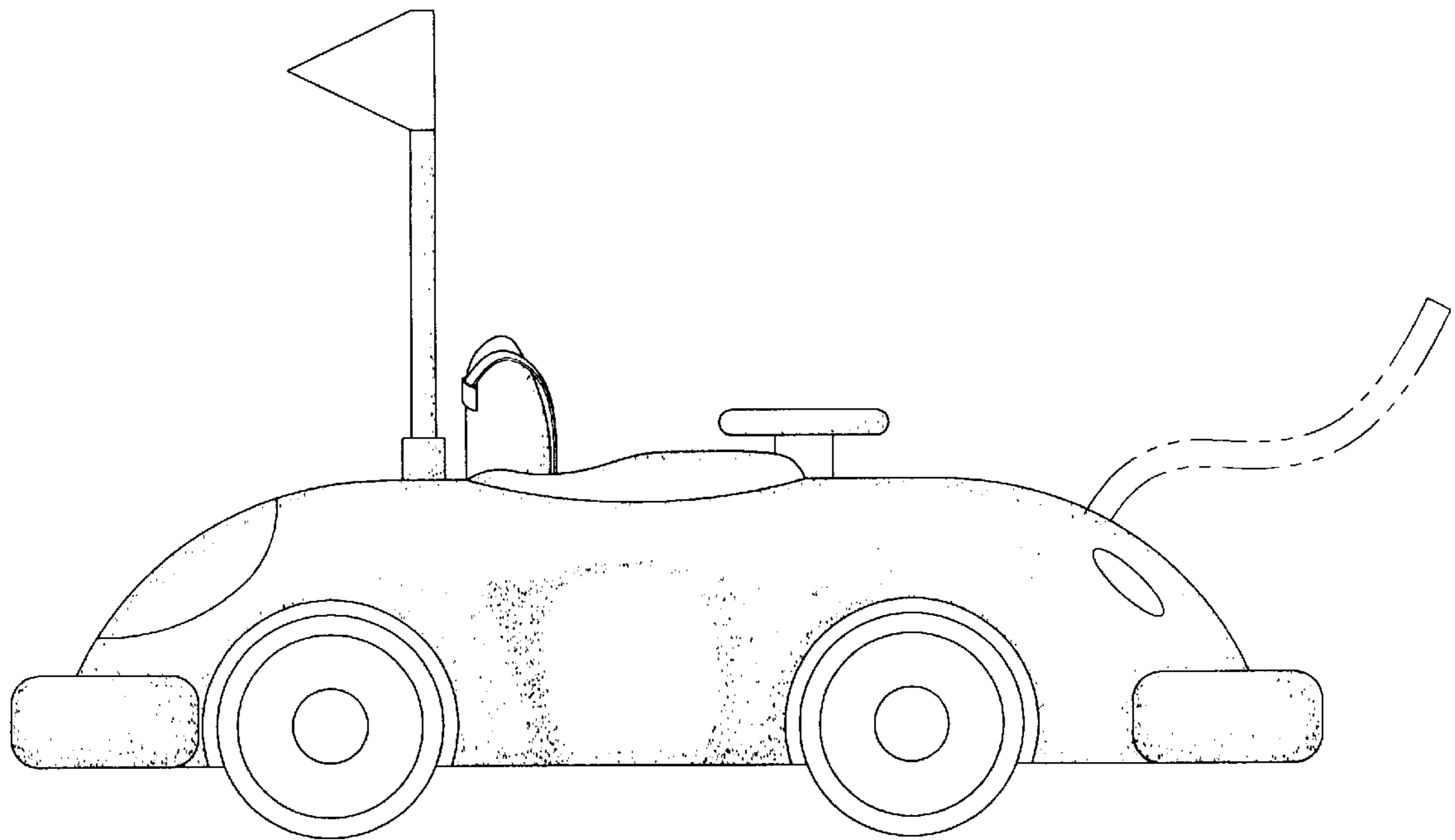
FIG. 4 is a front elevational view thereof.

The broken line showing of the tether in FIG. 1 is for illustrative purposes only and forms no part of the claimed design.

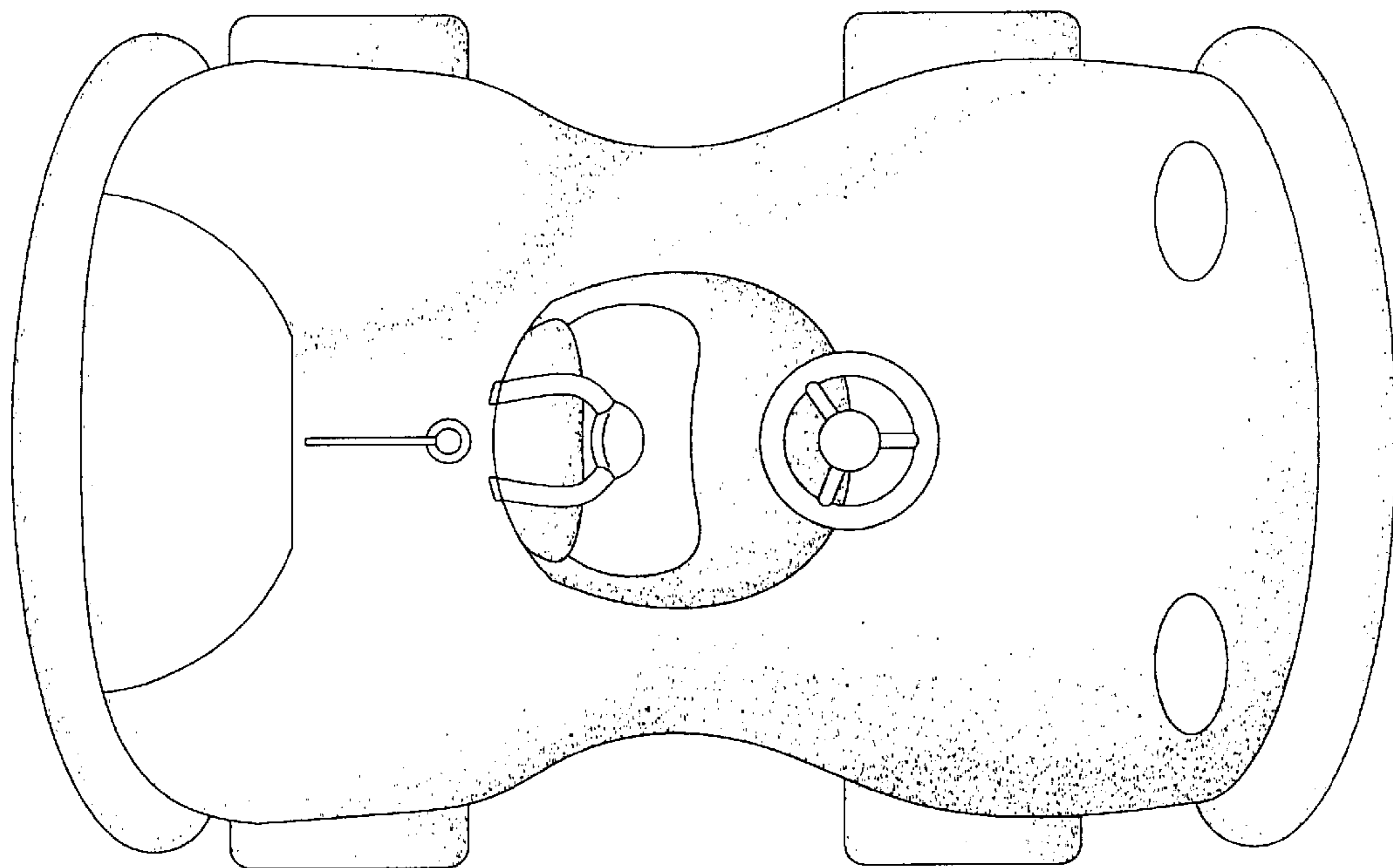
The bottom view is plain and unornamented.

**1 Claim, 2 Drawing Sheets**

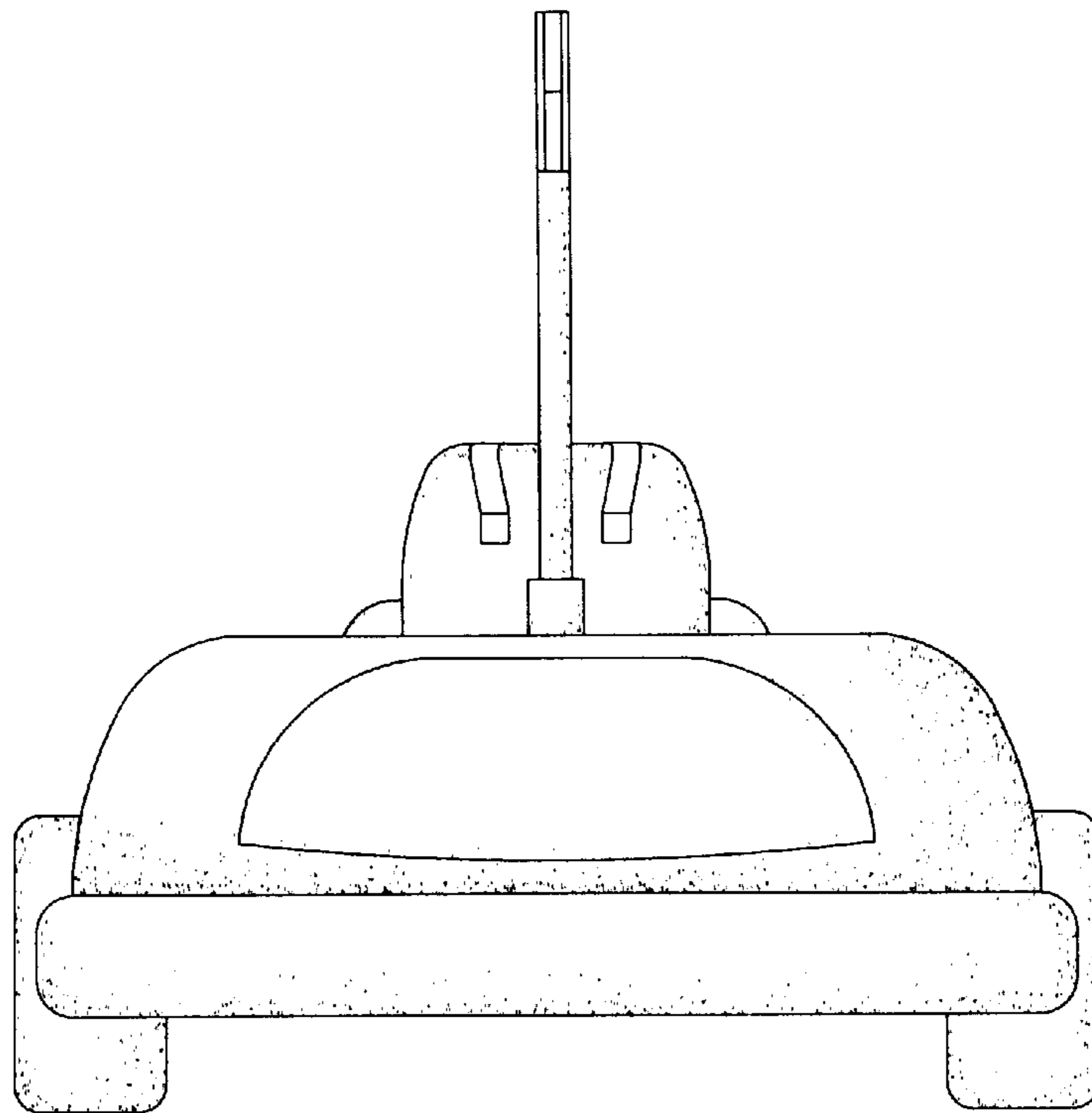




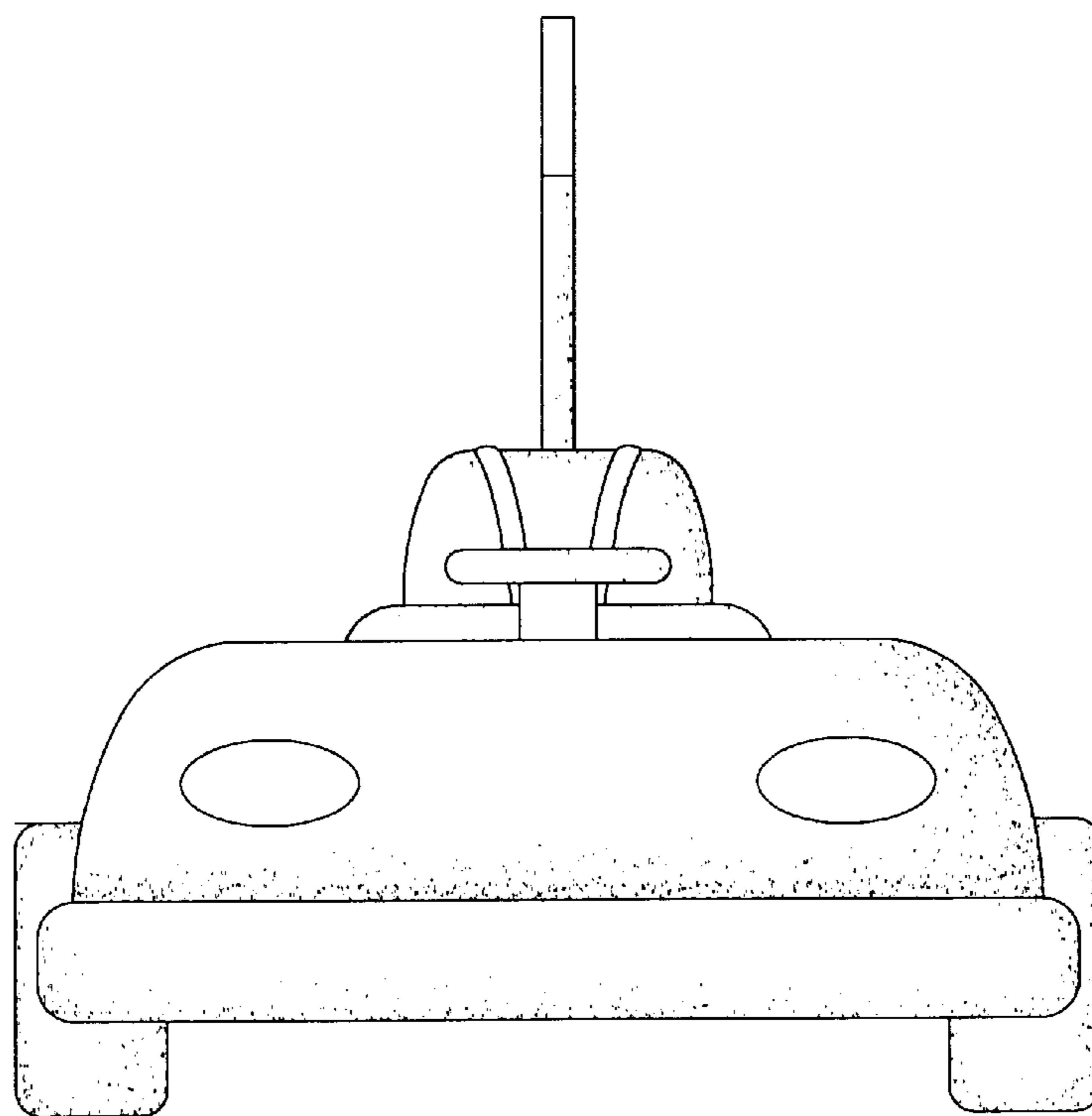
*Fig. 1*



*Fig. 2*



*Fig. 3*



*Fig. 4*