



US00D432175S

**United States Patent** [19]  
**Finkay**

[11] **Patent Number: Des. 432,175**

[45] **Date of Patent: \*\* Oct. 17, 2000**

[54] **GOLF BAG TAG WITH LOGO WATCH**

[76] Inventor: **John B. Finkay**, 442 Wekiva Cove Rd.,  
Longwood, Fla. 32779

[\*\*] Term: **14 Years**

[21] Appl. No.: **29/112,016**

[22] Filed: **Oct. 12, 1999**

[51] **LOC (7) Cl.** ..... **19-08**

[52] **U.S. Cl.** ..... **D20/22**

[58] **Field of Search** ..... D20/12, 19, 21,  
D20/22-28, 40, 42; D21/234; 40/1.5, 1.6,  
6, 299.01, 489, 640, 653, 662

[56] **References Cited**

**U.S. PATENT DOCUMENTS**

- D. 355,678 2/1995 Mattox ..... D20/22
- D. 368,508 4/1996 Garrett ..... D20/22
- D. 380,012 6/1997 McGarry-Webster ..... D20/22

*Primary Examiner*—Marcus A. Jackson  
*Attorney, Agent, or Firm*—Julian C. Renfro, Esq.

[57] **CLAIM**

The ornamental design for the golf bag tag with logo watch, as shown and described.

**DESCRIPTION**

FIG. 1 is a frontal perspective view of my golf bag tag with logo watch in which the logo watch is shown to be integral with one face of the tag;

FIG. 2 is a rear perspective view of the golf bag tag depicted in FIG. 1, with this view illustrating the location on the tag in which the golfer's identifying information may be placed, and with the strap broken away at the end for ease of illustration;

FIG. 3 is a side elevational view; and,

FIG. 4 is an end elevational view.

**1 Claim, 1 Drawing Sheet**



FIG 1

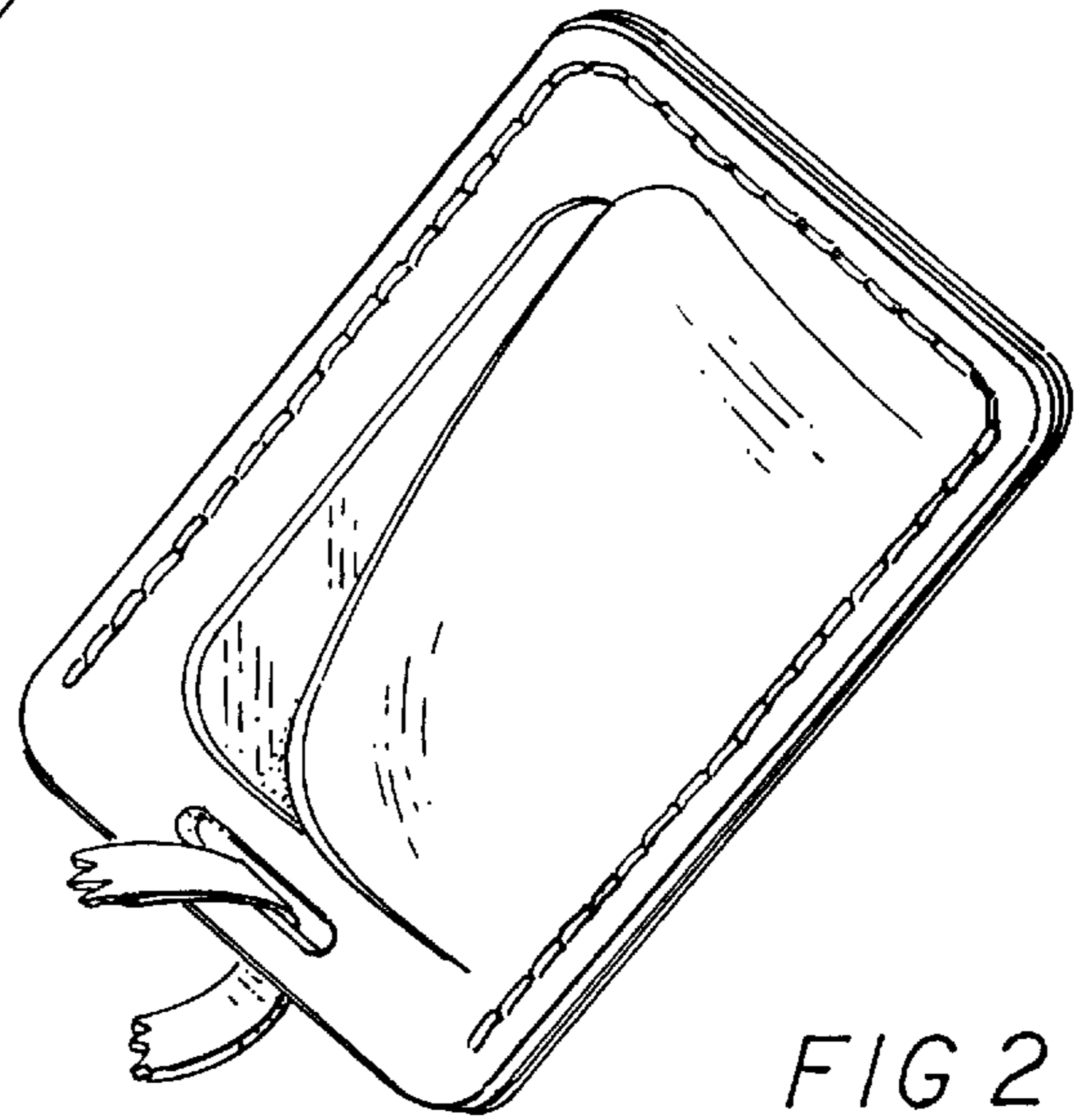
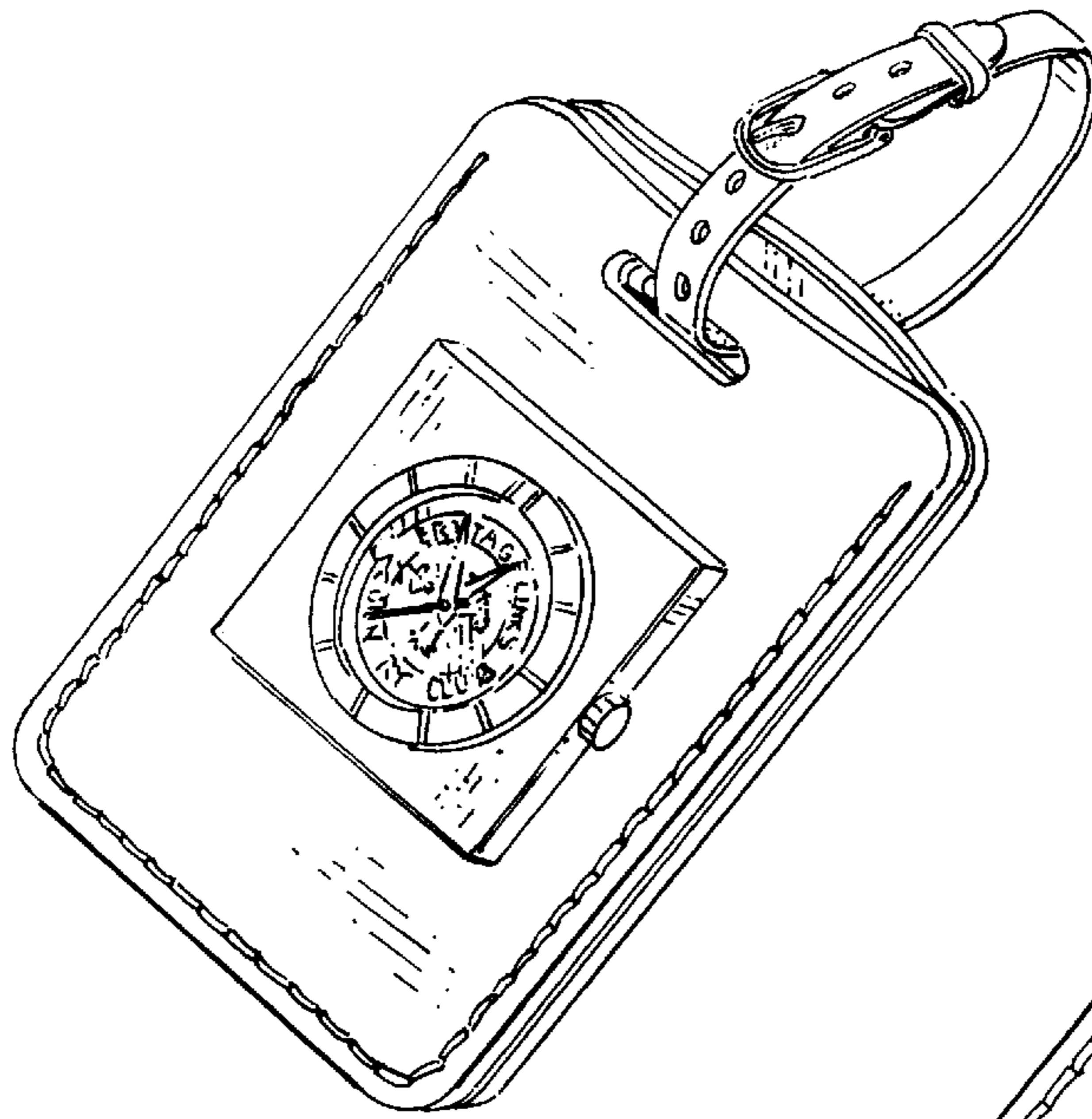


FIG 2

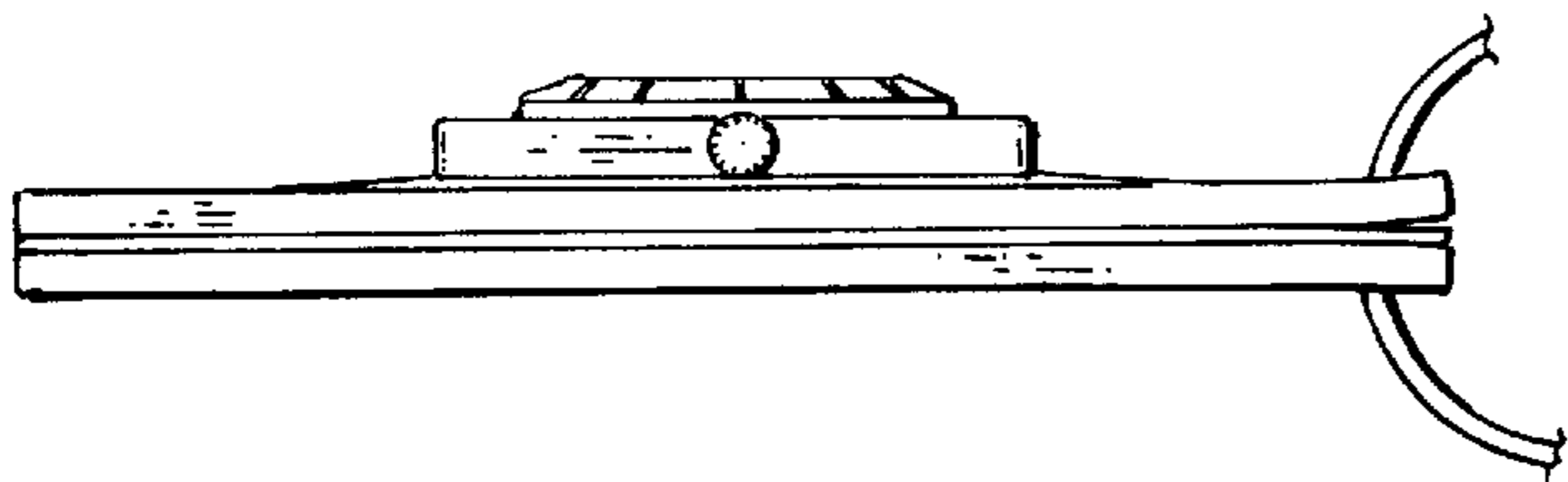


FIG 3

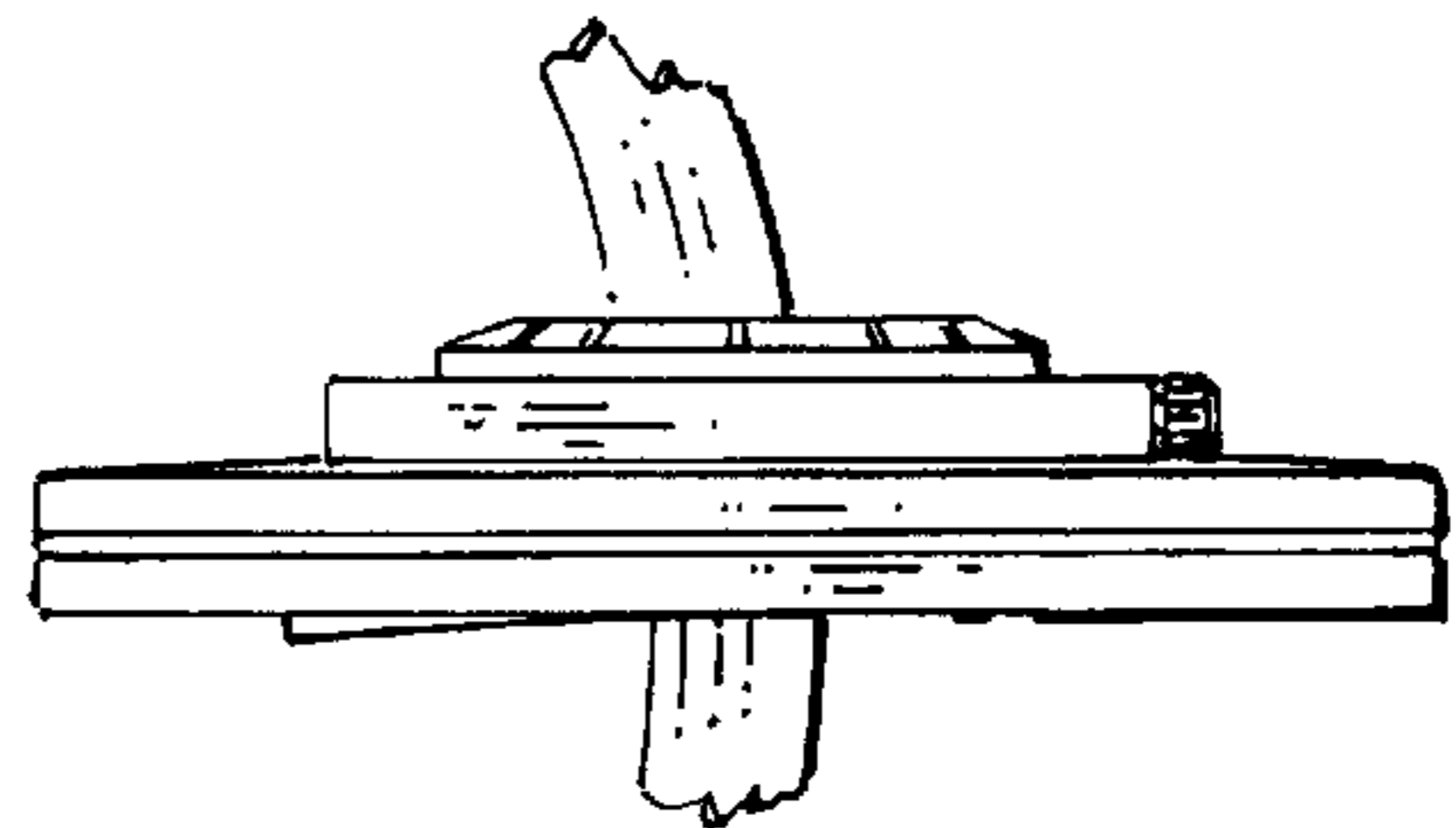


FIG 4