



US00D432174S

**United States Patent** [19]  
**Stevens et al.**

[11] **Patent Number: Des. 432,174**  
[45] **Date of Patent: \*\* Oct. 17, 2000**

[54] **SPECIMEN LABEL**

[75] Inventors: **Timothy A. Stevens**, Warwick, N.Y.;  
**Robert S. Golabek, Jr.**, Towaco, N.J.;  
**Steven Savitz**, Teaneck, N.J.; **Hugh T. Conway**, Verona, N.J.; **Connie Hetzler**,  
Sparta, N.J.; **Eric Bainbridge**,  
Plymouth, United Kingdom

[73] Assignee: **Becton Dickinson and Company**,  
Franklin Lakes, N.J.

[\*\*] Term: **14 Years**

[21] Appl. No.: **29/108,445**

[22] Filed: **Jul. 27, 1999**

[51] **LOC (7) Cl.** ..... **19-08**

[52] **U.S. Cl.** ..... **D20/22**

[58] **Field of Search** ..... D20/10, 22, 23,  
D20/27, 28; 40/1, 1.5, 1.6, 5, 6, 299, 584,  
624, 642

[56] **References Cited**

**U.S. PATENT DOCUMENTS**

D. 311,423 10/1990 De Santis ..... D20/22

D. 362,025 9/1995 Siegrids ..... D20/27  
D. 370,697 6/1996 Morgan ..... D20/22  
5,030,341 7/1991 McEwen et al. .

**FOREIGN PATENT DOCUMENTS**

3529455 8/1985 Germany .  
7-213908 7/1995 Japan .

*Primary Examiner*—Marcus A. Jackson  
*Attorney, Agent, or Firm*—Nanette S. Thomas

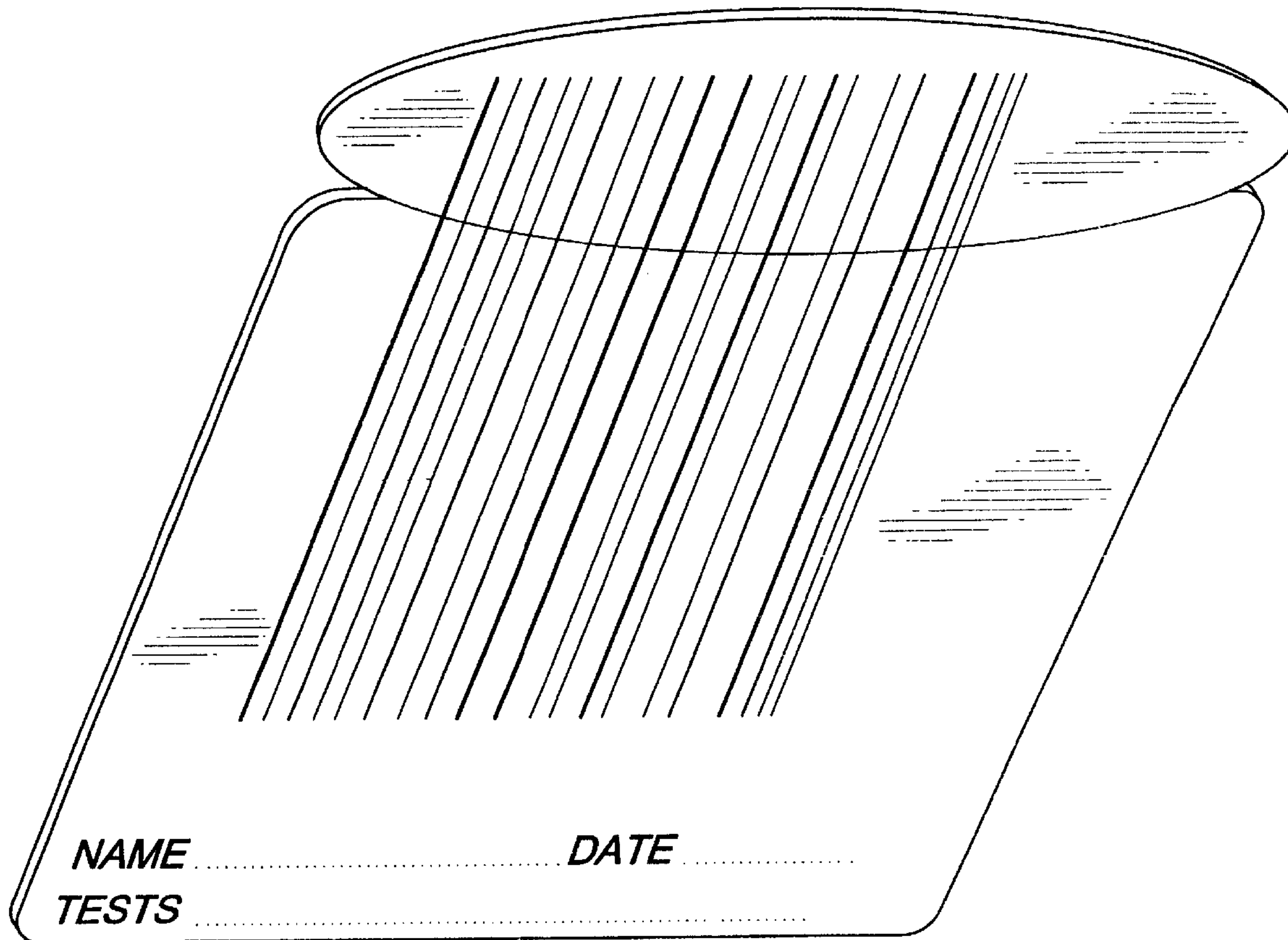
[57] **CLAIM**

The ornamental design for a specimen label, as shown and described.

**DESCRIPTION**

FIG. 1 is a front perspective view of the specimen label;  
FIG. 2 is a top plan view of FIG. 1;  
FIG. 3 is a side elevational view of FIG. 1;  
FIG. 4 is a forward elevational view of FIG. 1;  
FIG. 5 is a rear elevational view of FIG. 1; and,  
FIG. 6 is a bottom plan view of FIG. 1.

**1 Claim, 4 Drawing Sheets**



# FIG-1

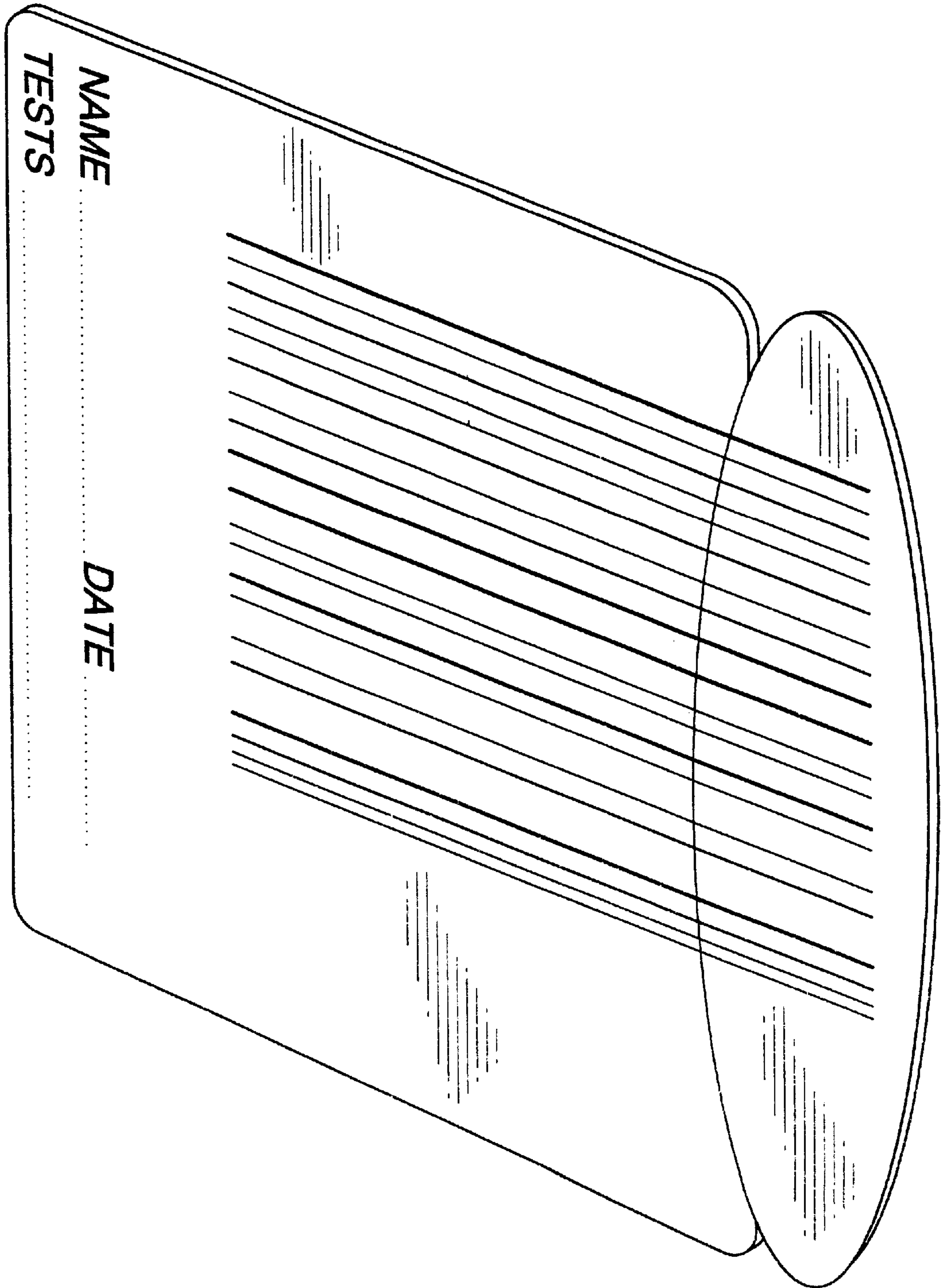




FIG-3



FIG-4



FIG-5



FIG-6

