



US00D432170S

United States Patent [19]
Chan

[11] **Patent Number: Des. 432,170**

[45] **Date of Patent: ** Oct. 17, 2000**

[54] **CLIP DISPENSER**

[75] Inventor: **Sik-Leung Chan**, Tsuen Wan, China

[73] Assignee: **C.C. & L Company Limited**, Hong Kong, The Hong Kong Special Administrative Region of the People's Republic of China

[**] Term: **14 Years**

[21] Appl. No.: **29/117,697**

[22] Filed: **Jan. 28, 2000**

[51] **LOC (7) Cl.** **19-02**

[52] **U.S. Cl.** **D19/75; D19/77; D19/95**

[58] **Field of Search** **D19/65, 70, 75, D19/76, 77, 86, 92, 95, 99, 100; 206/214, 224, 371, 338-340, 39, 39.1-39.7; 221/71, 208, 72, 212, 74, 154, 312 C; D6/515, 518; D9/339**

[56] **References Cited**

U.S. PATENT DOCUMENTS

D. 117,828 11/1939 Bowers D19/75

D. 156,665	12/1949	Rodbell	D19/78
D. 287,546	1/1987	Bernstein	D19/76 X
D. 303,551	9/1989	Szablak et al.	D19/75
D. 327,914	7/1992	Tsay	D19/75
D. 329,464	9/1992	Hu	D19/75
4,796,780	1/1989	Huang	221/154
5,078,300	1/1992	Heu	221/212
5,096,091	3/1992	Heu	221/212

Primary Examiner—Martie K Holtje
Attorney, Agent, or Firm—Alix, Yale & Ristas, LLP

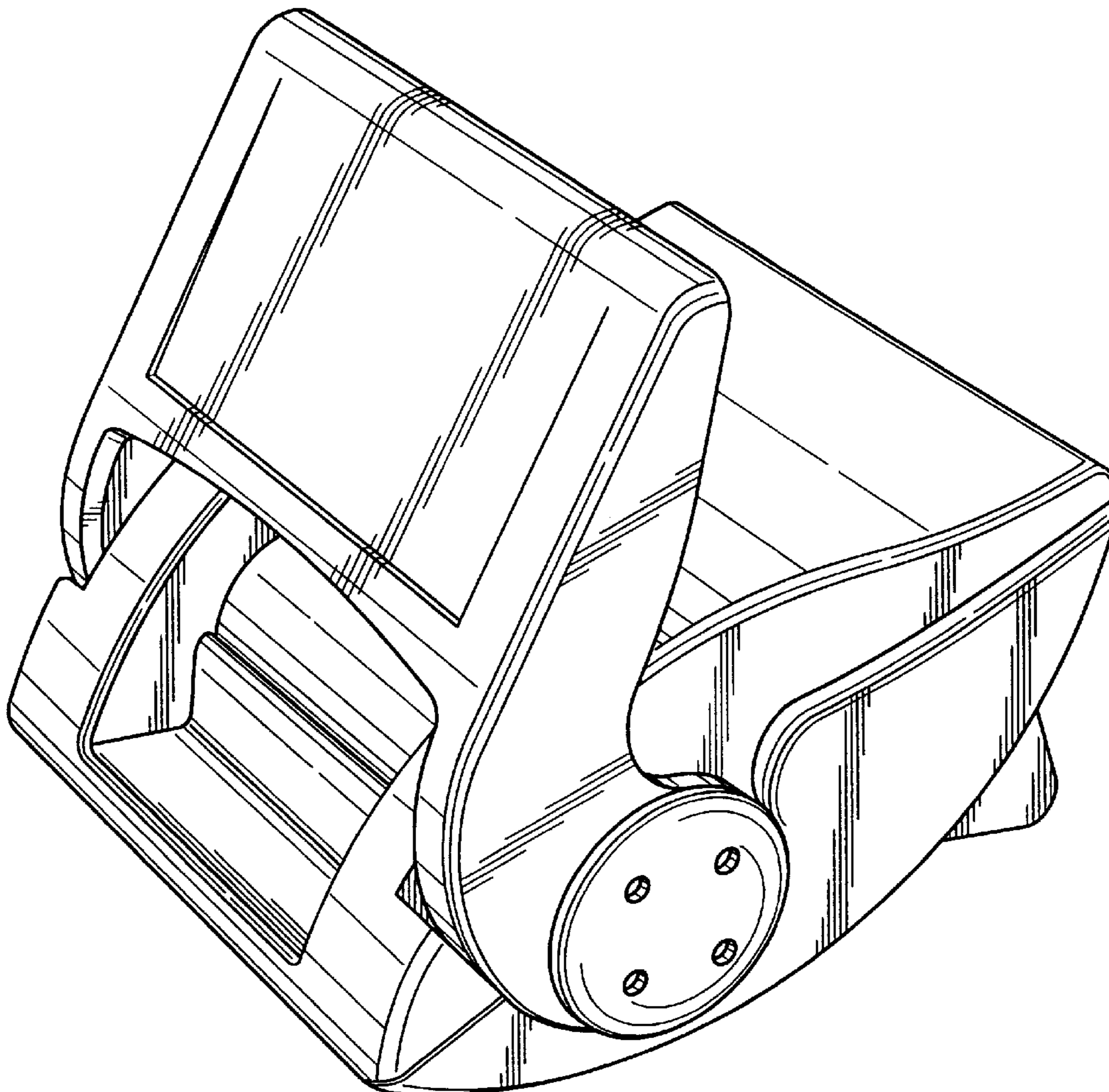
[57] **CLAIM**

The ornamental design for a clip dispenser, as shown and described.

DESCRIPTION

FIG. 1 is a perspective view of a clip dispenser showing my new design;
FIG. 2 is a front elevational view thereof;
FIG. 3 is a rear elevational view thereof;
FIG. 4 is a left side elevational view thereof;
FIG. 5 is a right side elevational view thereof;
FIG. 6 is a top plan view thereof; and,
FIG. 7 is a bottom plan view thereof.

1 Claim, 4 Drawing Sheets



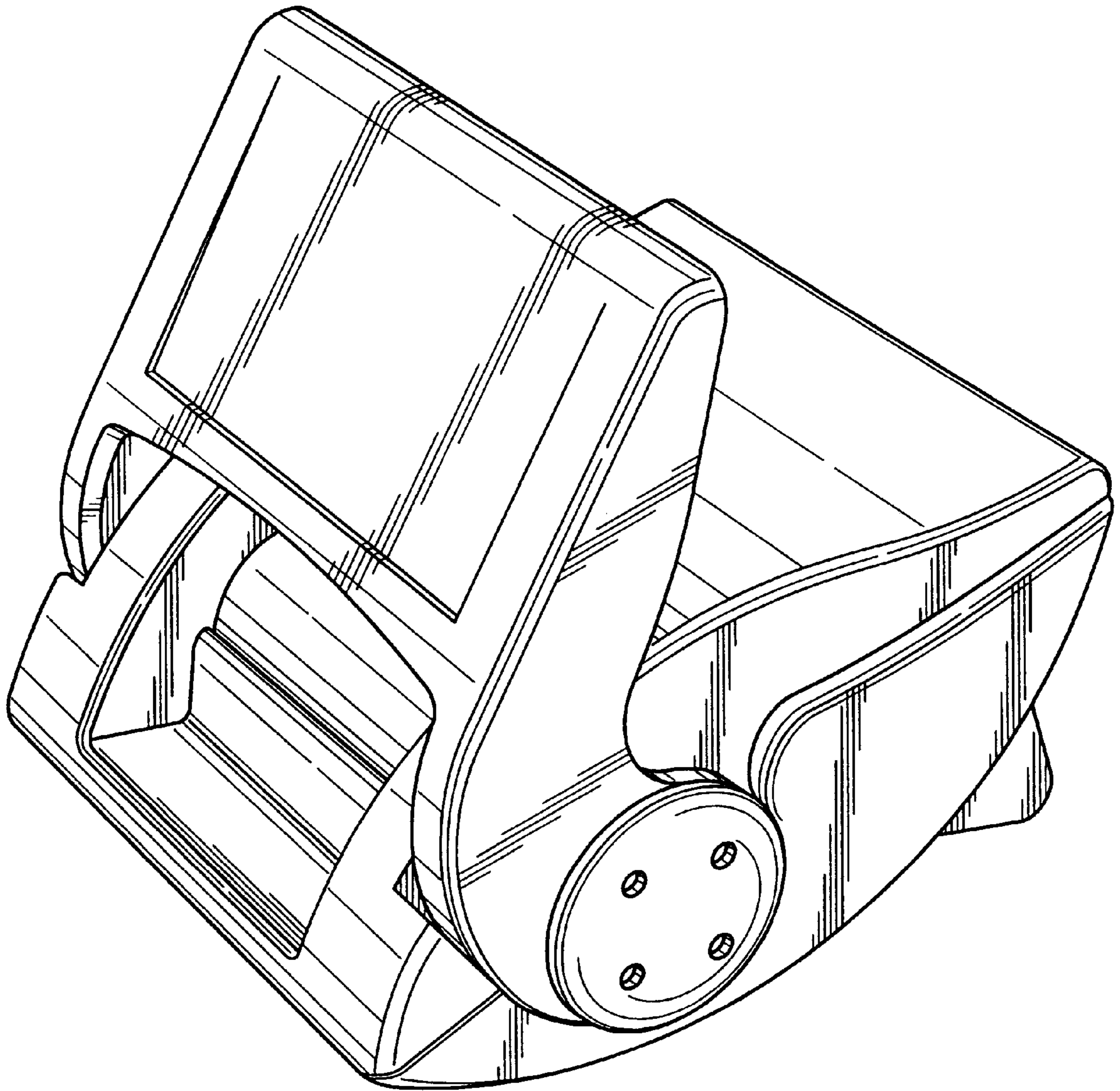


FIG. 1

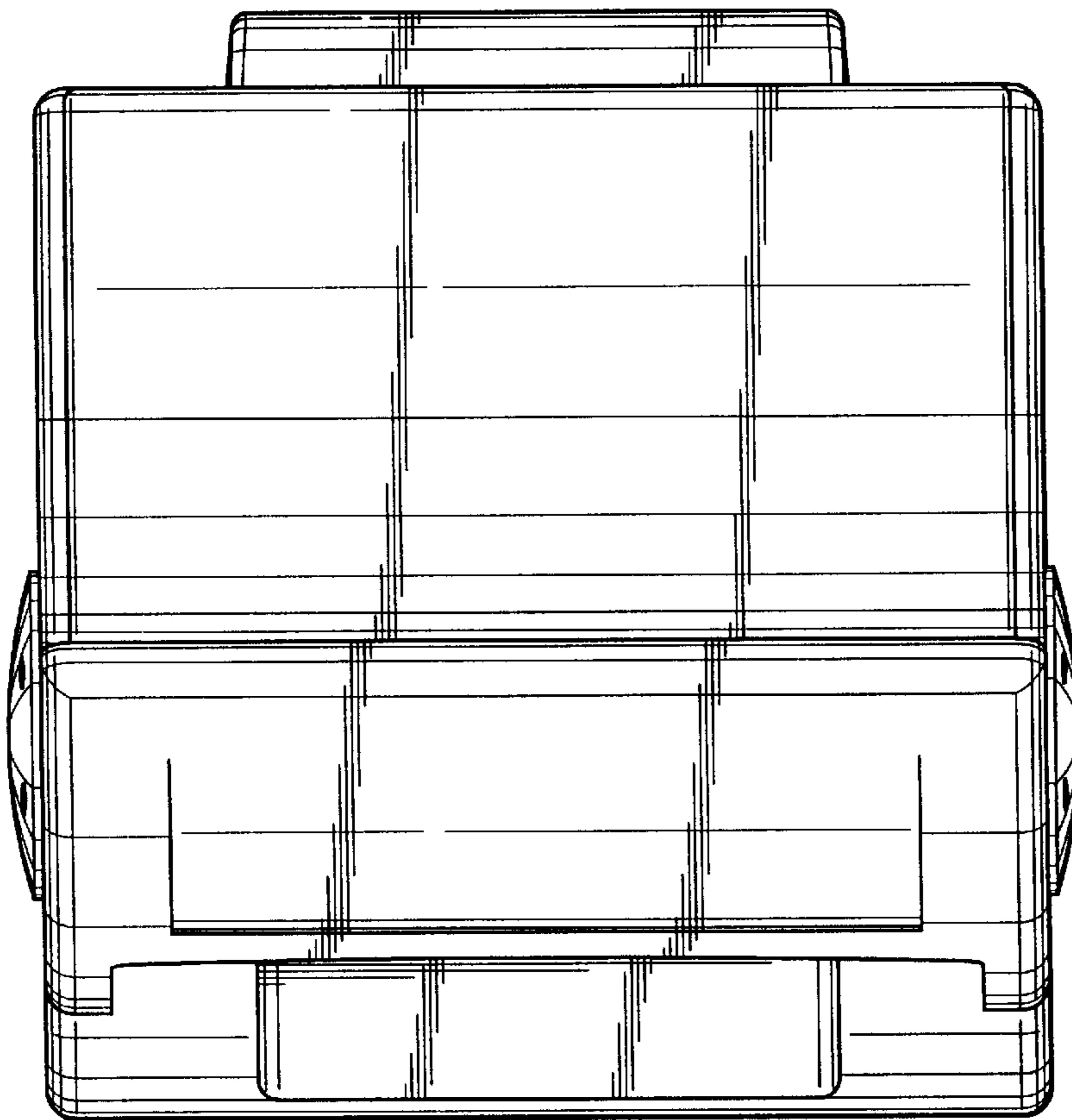


FIG. 3

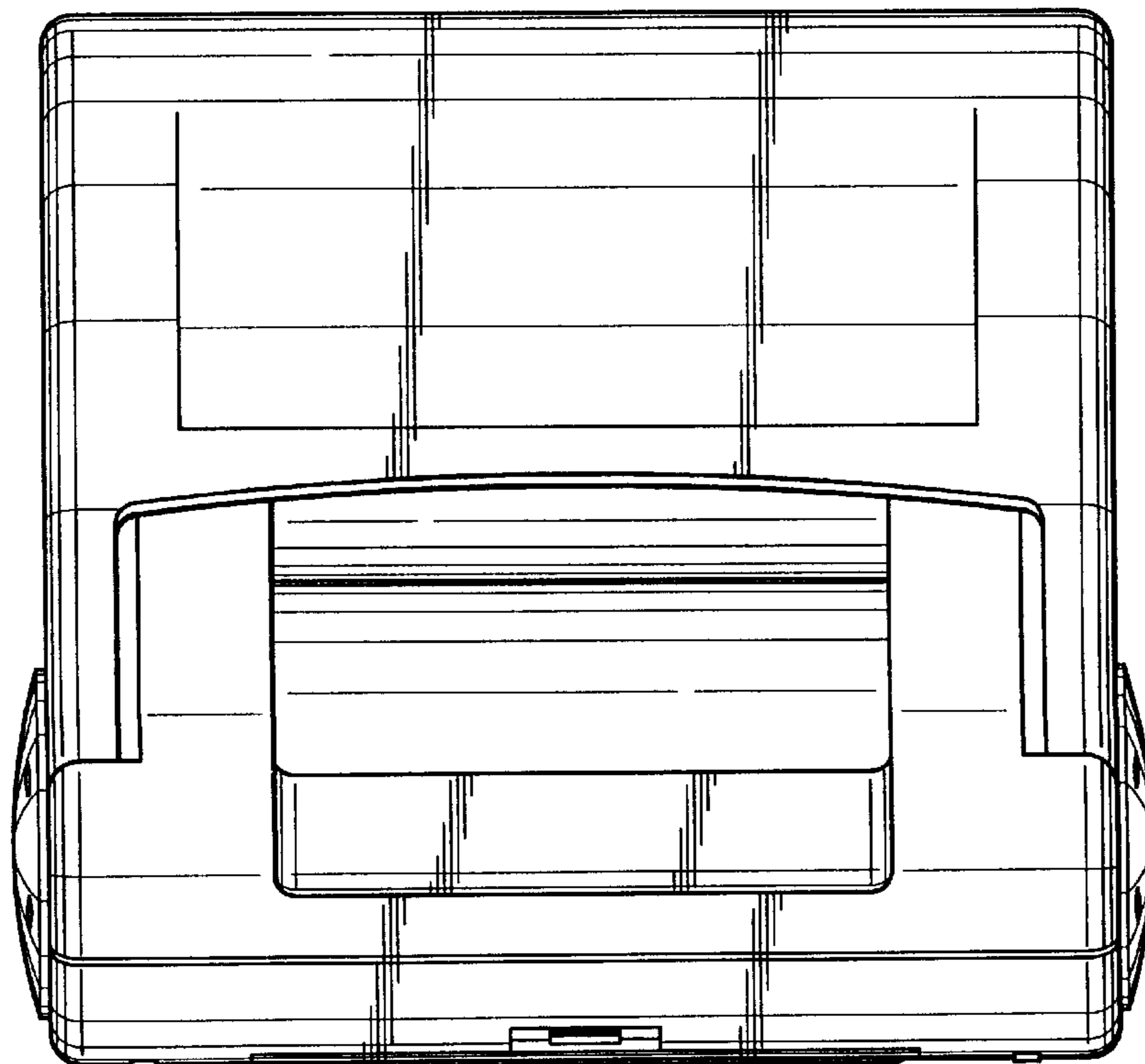


FIG. 2

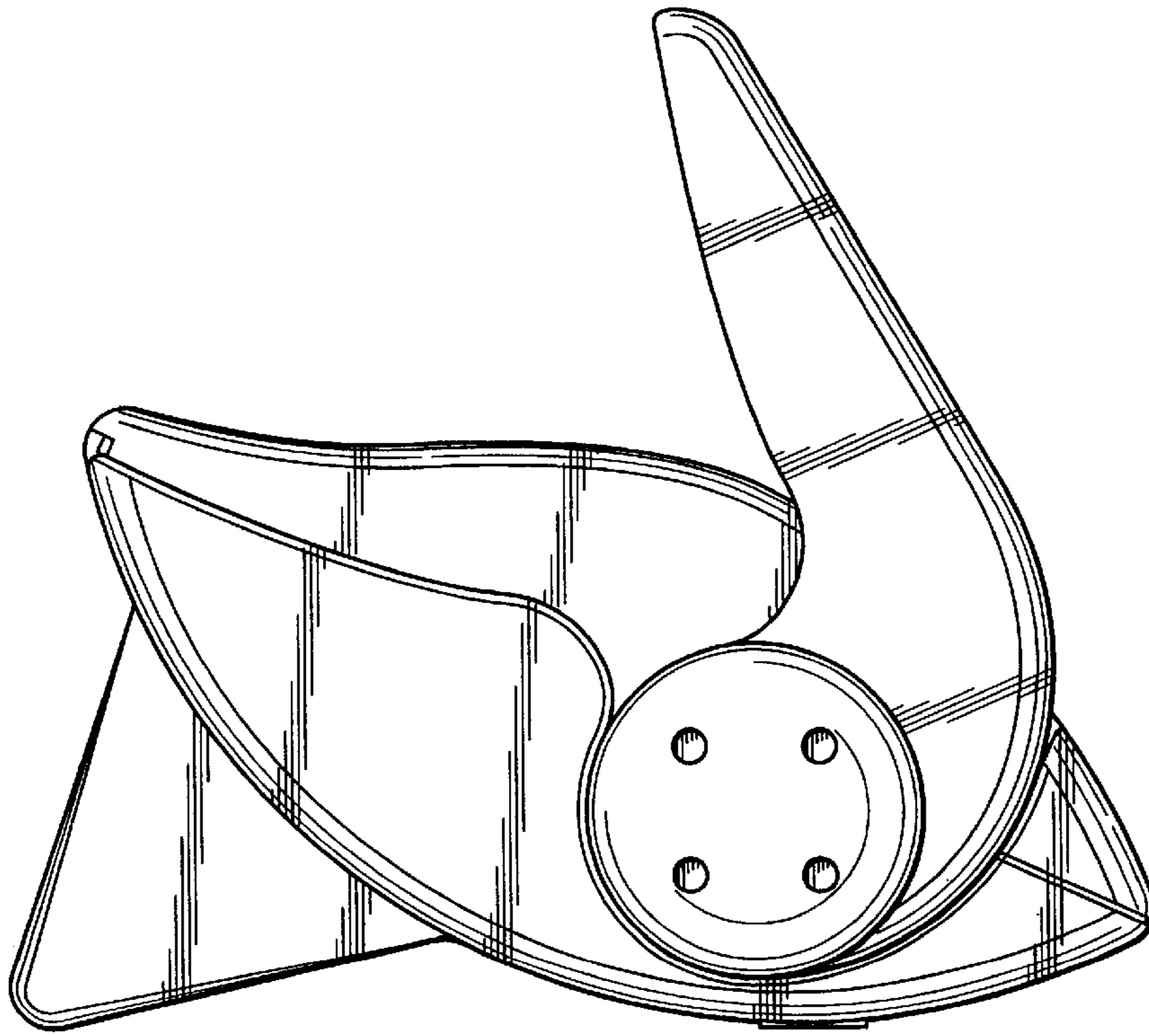


FIG. 4

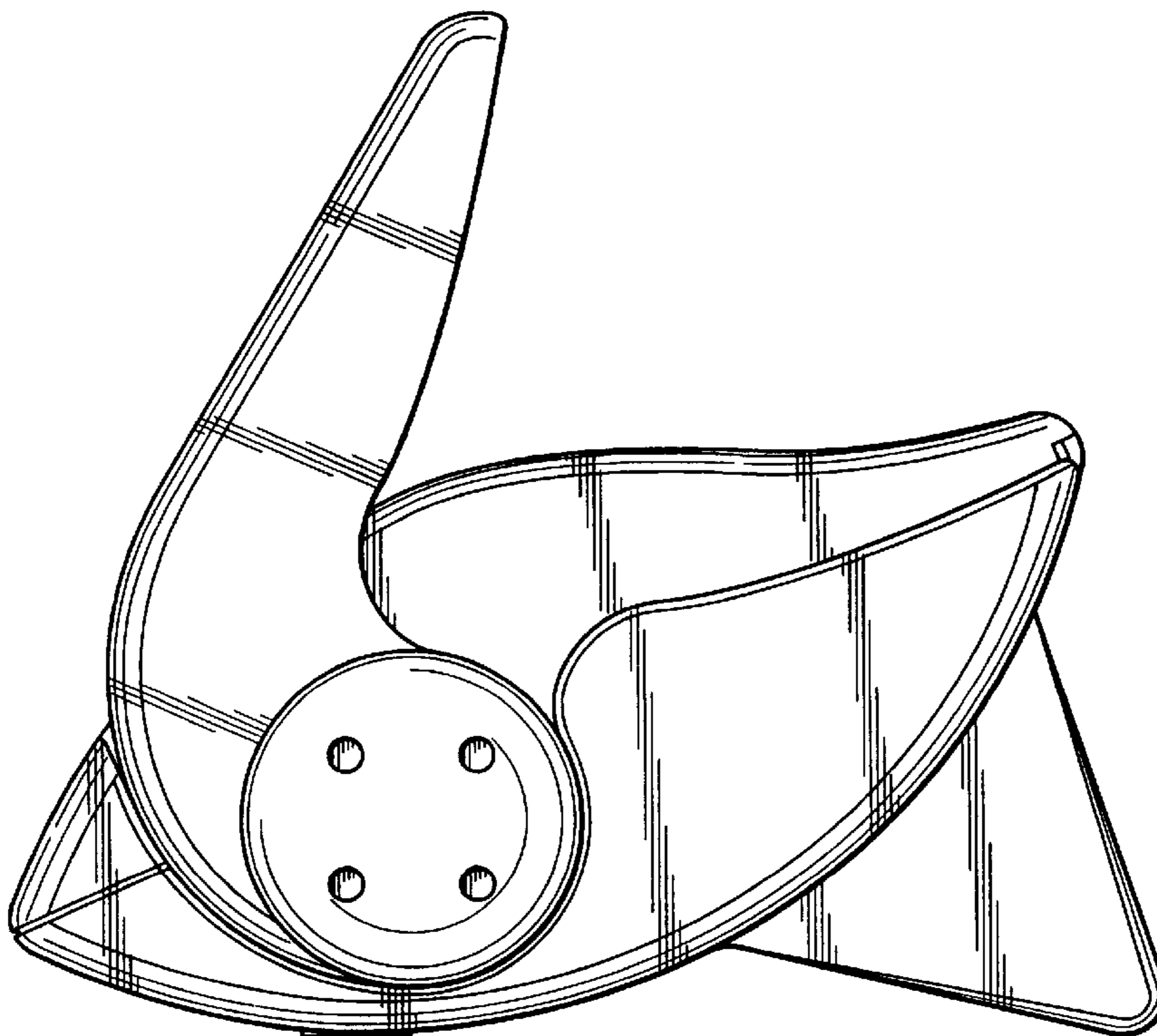


FIG. 5

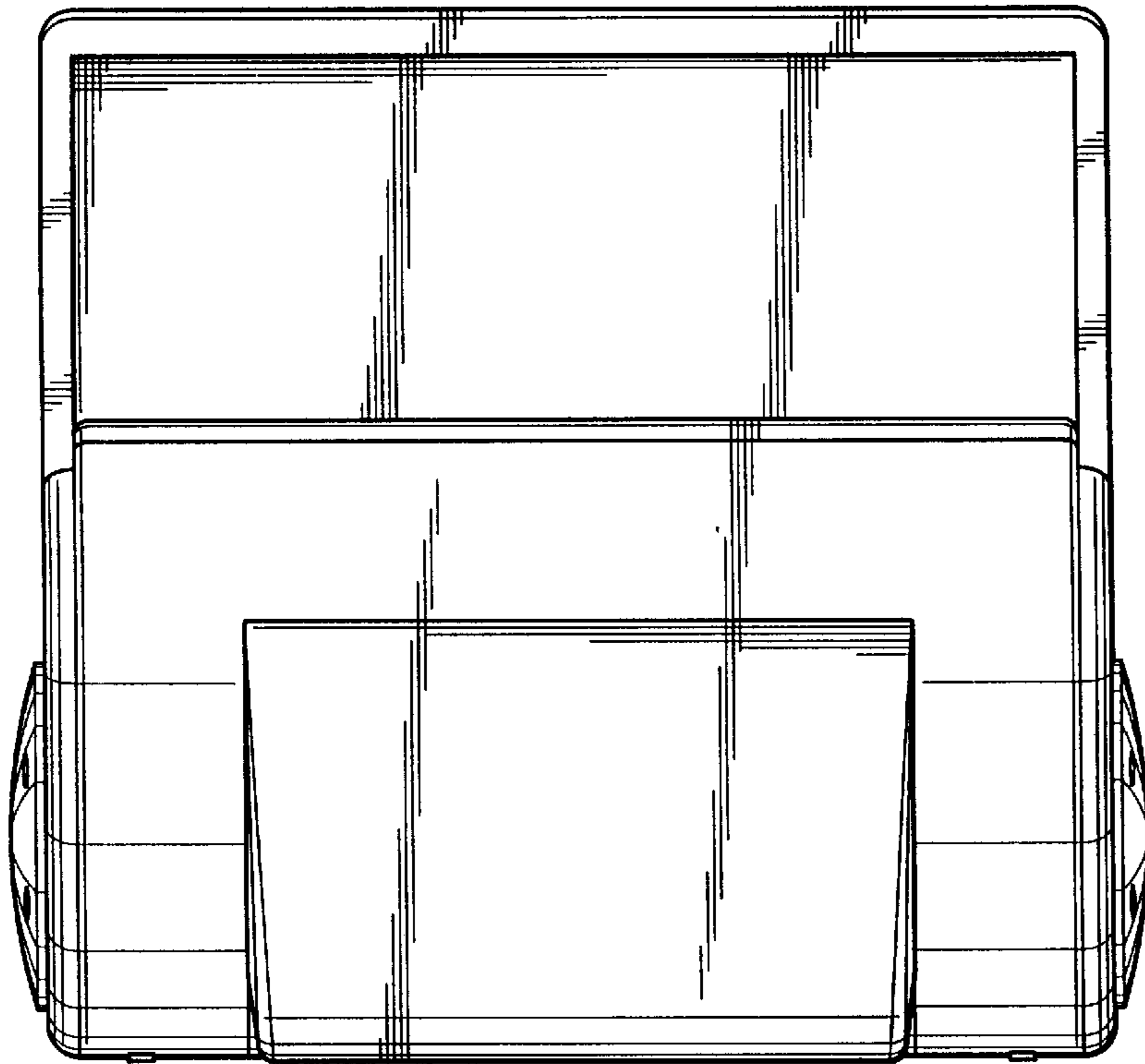


FIG. 6

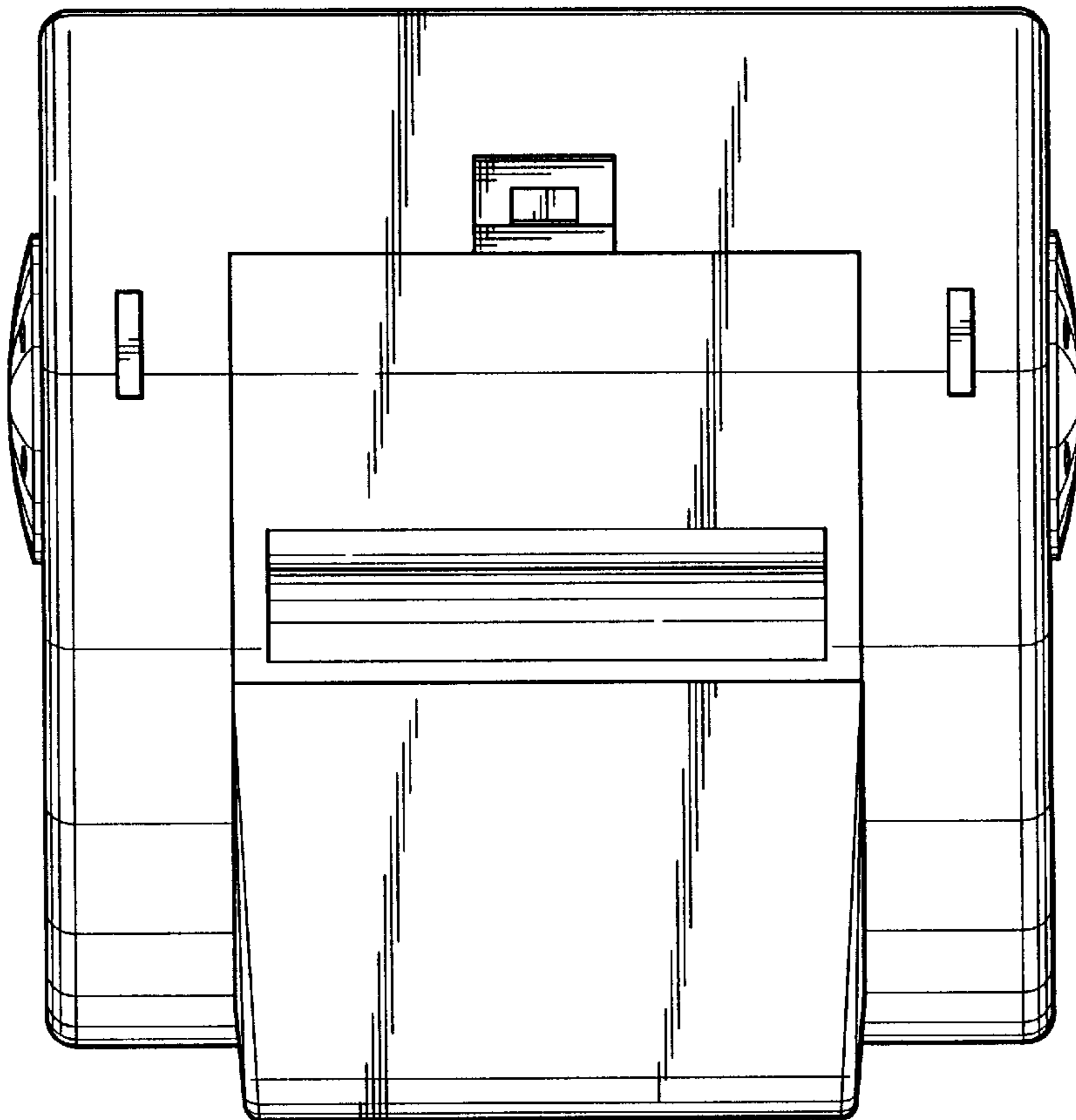


FIG. 7