



US00D432164S

United States Patent [19]
Benedetto

[11] **Patent Number: Des. 432,164**

[45] **Date of Patent: ** Oct. 17, 2000**

[54] **INK JET PRINTER**

[75] Inventor: **Francesco Benedetto**, Caluso, Italy

[73] Assignee: **Olivetti Lexikon S.p.A.**, Ivrea, Italy

[**] Term: **14 Years**

[21] Appl. No.: **29/104,523**

[22] Filed: **May 6, 1999**

[30] **Foreign Application Priority Data**

Dec. 2, 1998 [IT] Italy TO9800314

[51] **LOC (7) Cl.** **14-02**

[52] **U.S. Cl.** **D18/55**

[58] **Field of Search** D18/36-39, 50,
D18/54-55; 400/613, 613.1-613.4, 691-694,
690.1-690.4

[56] **References Cited**

U.S. PATENT DOCUMENTS

D. 318,684	7/1991	Irie et al.	D18/55
D. 333,836	3/1993	Kelemen et al.	D18/55
D. 343,637	1/1994	Umino et al.	D18/55
D. 344,754	3/1994	Parsey	D18/55

D. 379,469	5/1997	Nobata	D18/50
D. 382,256	8/1997	Lin	D18/50
D. 384,969	10/1997	Inoue et al.	D18/54
D. 390,258	2/1998	Kawahara et al.	D18/55
D. 390,597	2/1998	Igarashi et al.	D18/55
D. 399,251	10/1998	McGlashan	D18/55
D. 407,712	4/1999	Hasegawa	D18/50
D. 409,232	5/1999	Kim	D18/50
D. 412,013	7/1999	Karten et al.	D18/50

Primary Examiner—Cathy Anne MacCormac
Attorney, Agent, or Firm—Banner & Witcoff, Ltd.

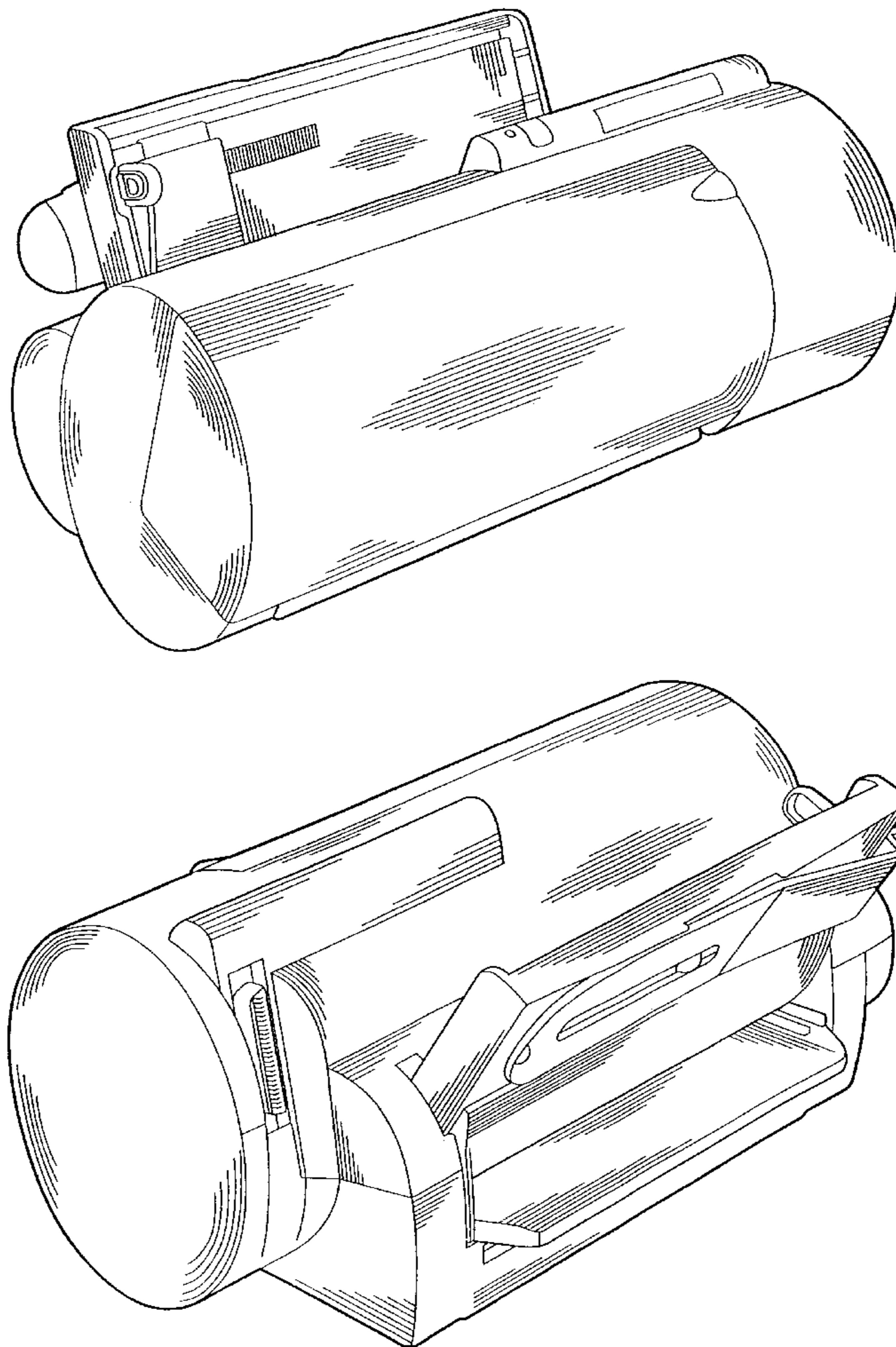
[57] **CLAIM**

The ornamental design for an ink jet printer, as shown and described.

DESCRIPTION

FIG. 1 is a top front and right side perspective view of an ink jet printer having the design of the invention;
FIG. 2 is a top front and left side perspective view of an ink jet printer having the design of the invention;
FIG. 3 is a top rear and left side perspective view thereof;
FIG. 4 is a top plan view thereof;
FIG. 5 is a front elevational view thereof; and,
FIG. 6 is a right side elevational view thereof.

1 Claim, 6 Drawing Sheets



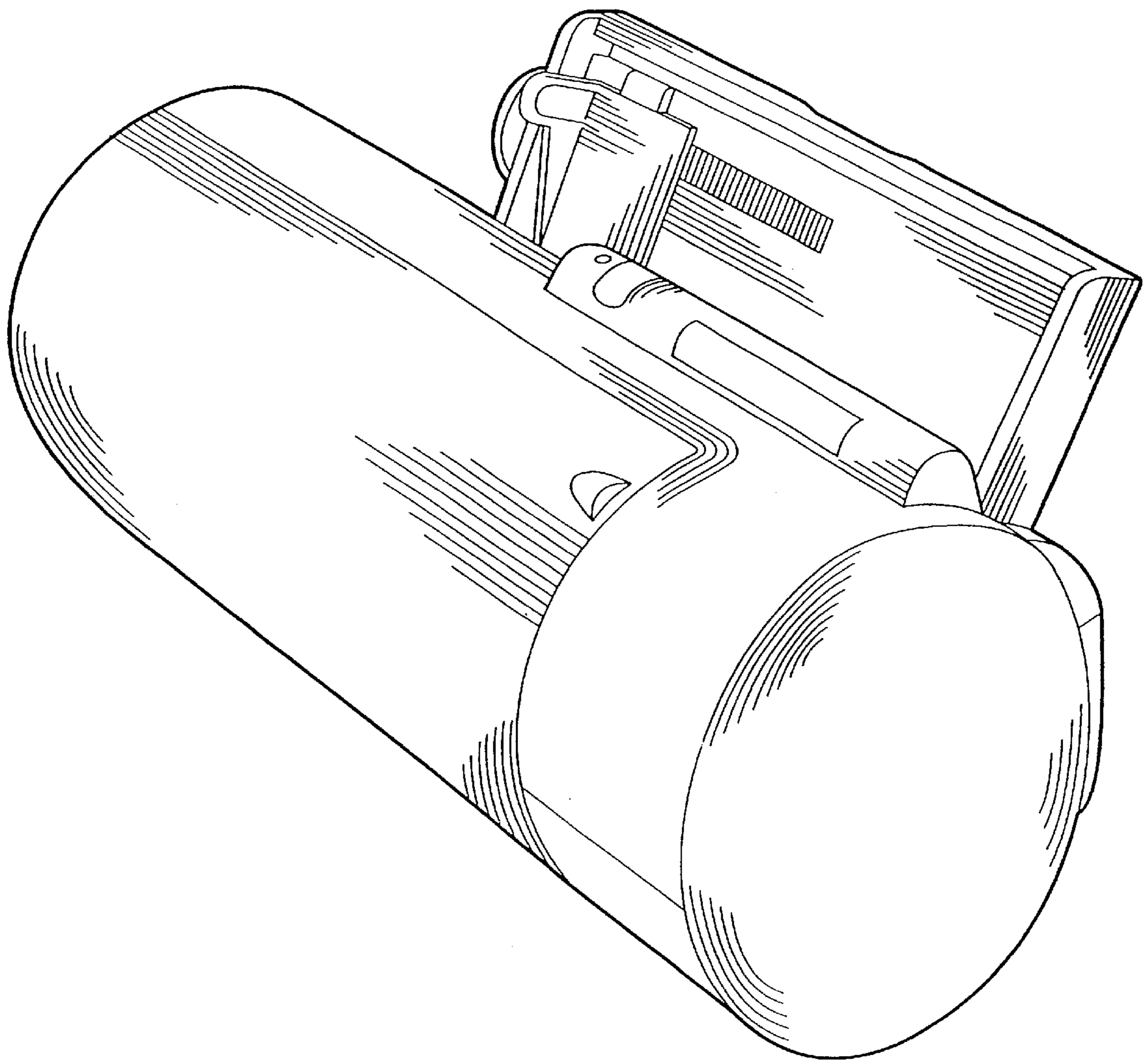


Fig. 1

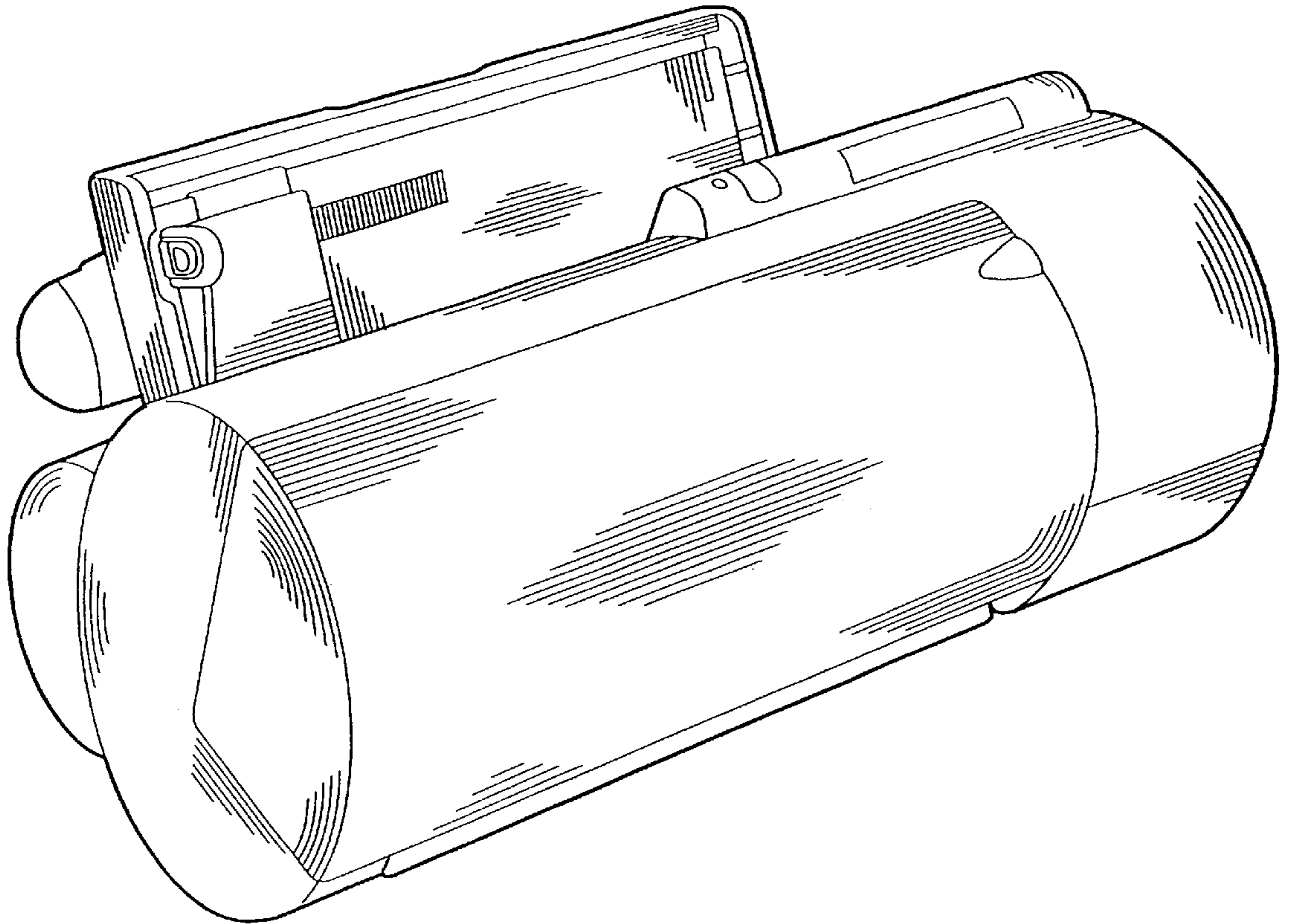


Fig. 2

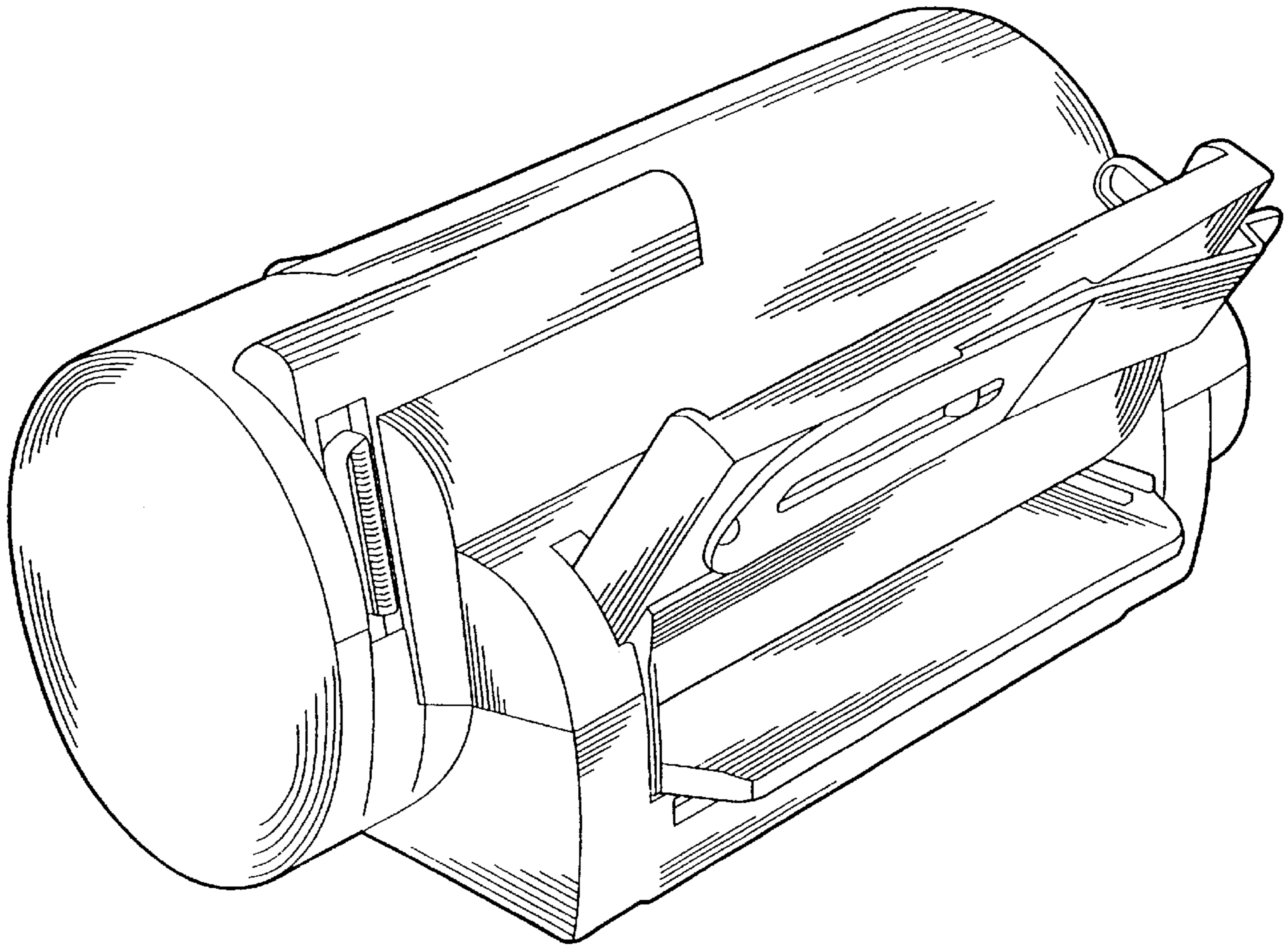


Fig. 3

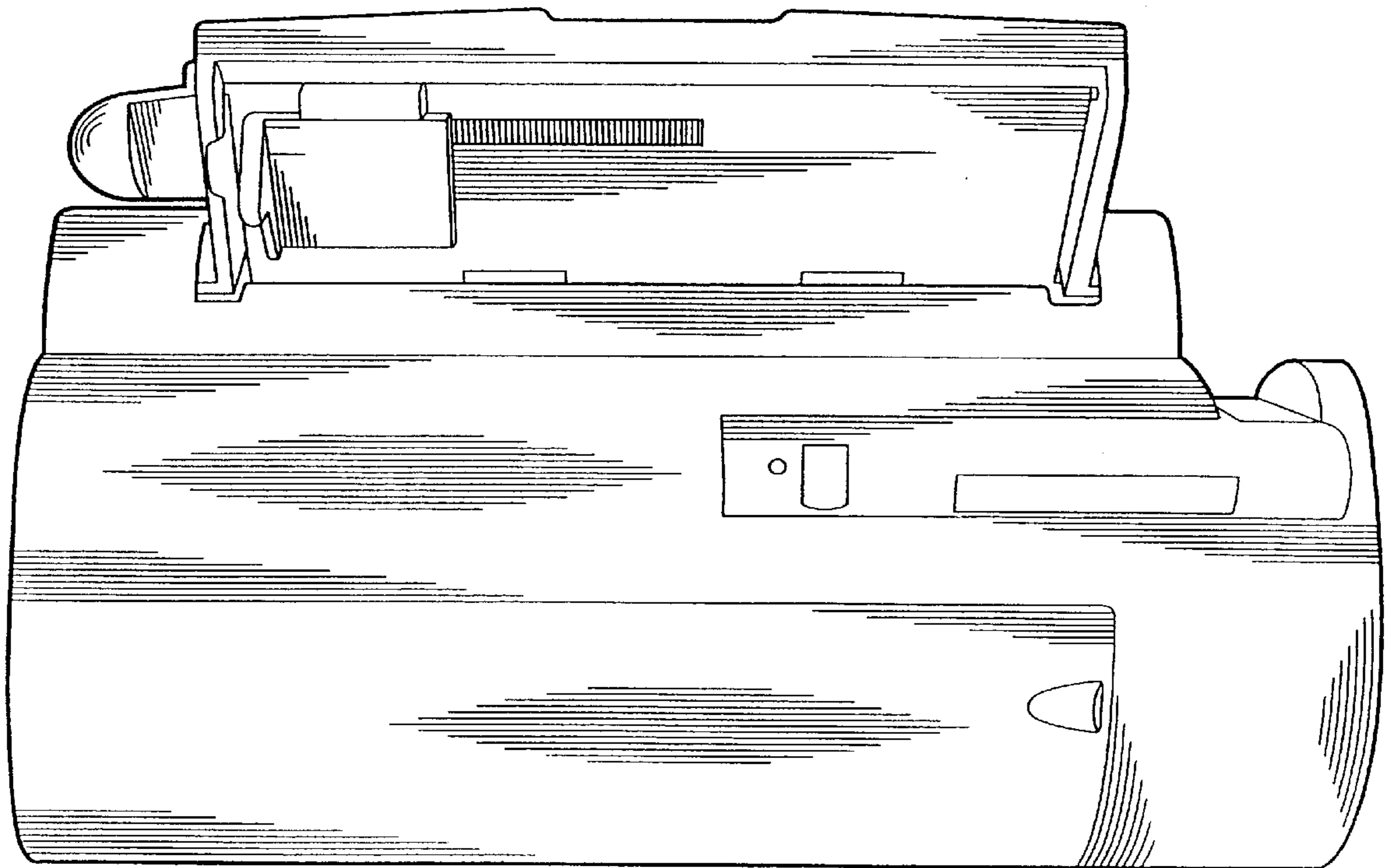


Fig. 4

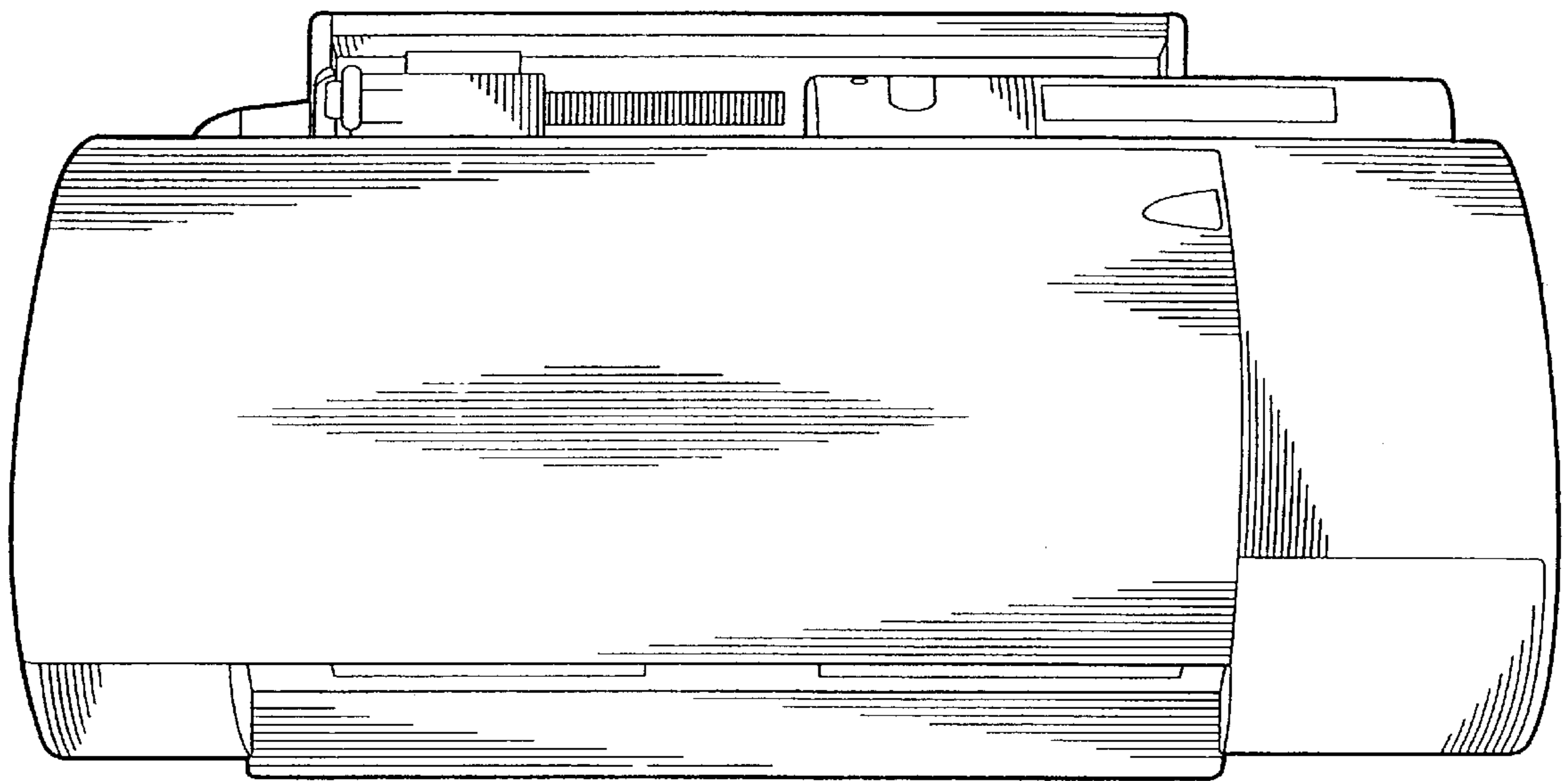


Fig. 5

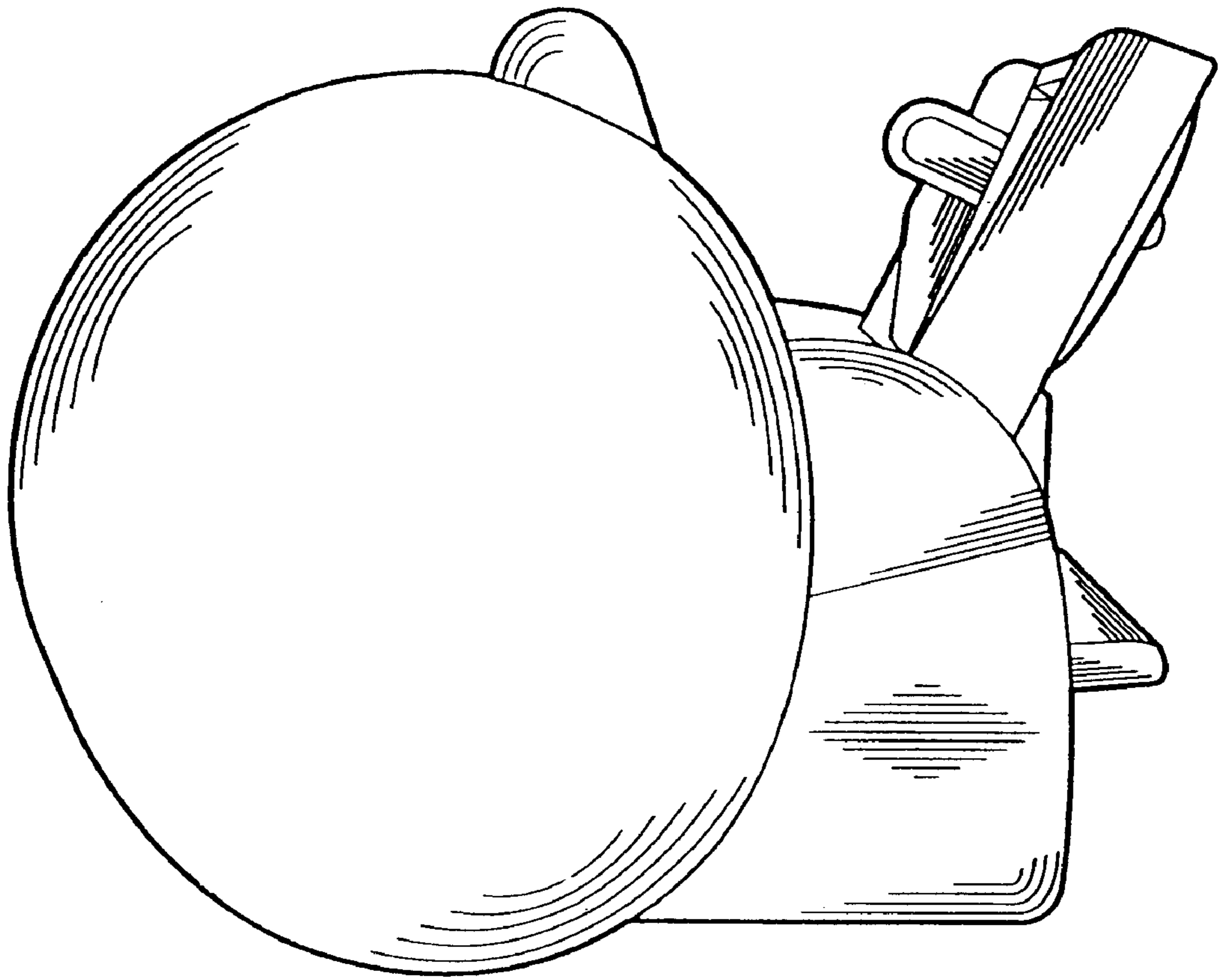


Fig. 6