



US00D432163S

United States Patent [19]
Perry

[11] **Patent Number: Des. 432,163**

[45] **Date of Patent: ** Oct. 17, 2000**

[54] **CABINETRY ENCLOSURE FOR A BUSINESS MACHINE**

D. 413,351 8/1999 Escobedo et al. D18/50
D. 413,622 9/1999 Brown et al. D18/49
5,921,539 7/1999 Westcott et al. 271/10.03

[75] Inventor: **Ronald J. Perry**, Webster, N.Y.

[73] Assignee: **Eastman Kodak Company**, Rochester, N.Y.

[**] Term: **14 Years**

[21] Appl. No.: **29/101,845**

[22] Filed: **Mar. 11, 1999**

[51] **LOC (7) Cl.** **18-99**

[52] **U.S. Cl.** **D18/46**

[58] **Field of Search** D18/36-40, 46-50,
D18/54, 55; 399/361, 411; 271/3.14, 3.01,
3.08, 8.1, 10.03, 10.11, 171, 110, 116

[56] **References Cited**

U.S. PATENT DOCUMENTS

D. 398,334 9/1998 Komatsu D18/36

Primary Examiner—Caron D. Veynar
Attorney, Agent, or Firm—David A. Novais

[57] **CLAIM**

The ornamental design of a cabinetry enclosure for a business machine, as shown and described.

DESCRIPTION

FIG. 1 is a front, top, right perspective view of the cabinetry enclosure for a business machine according to my new design;

FIG. 2 is a front, top, left perspective view thereof;

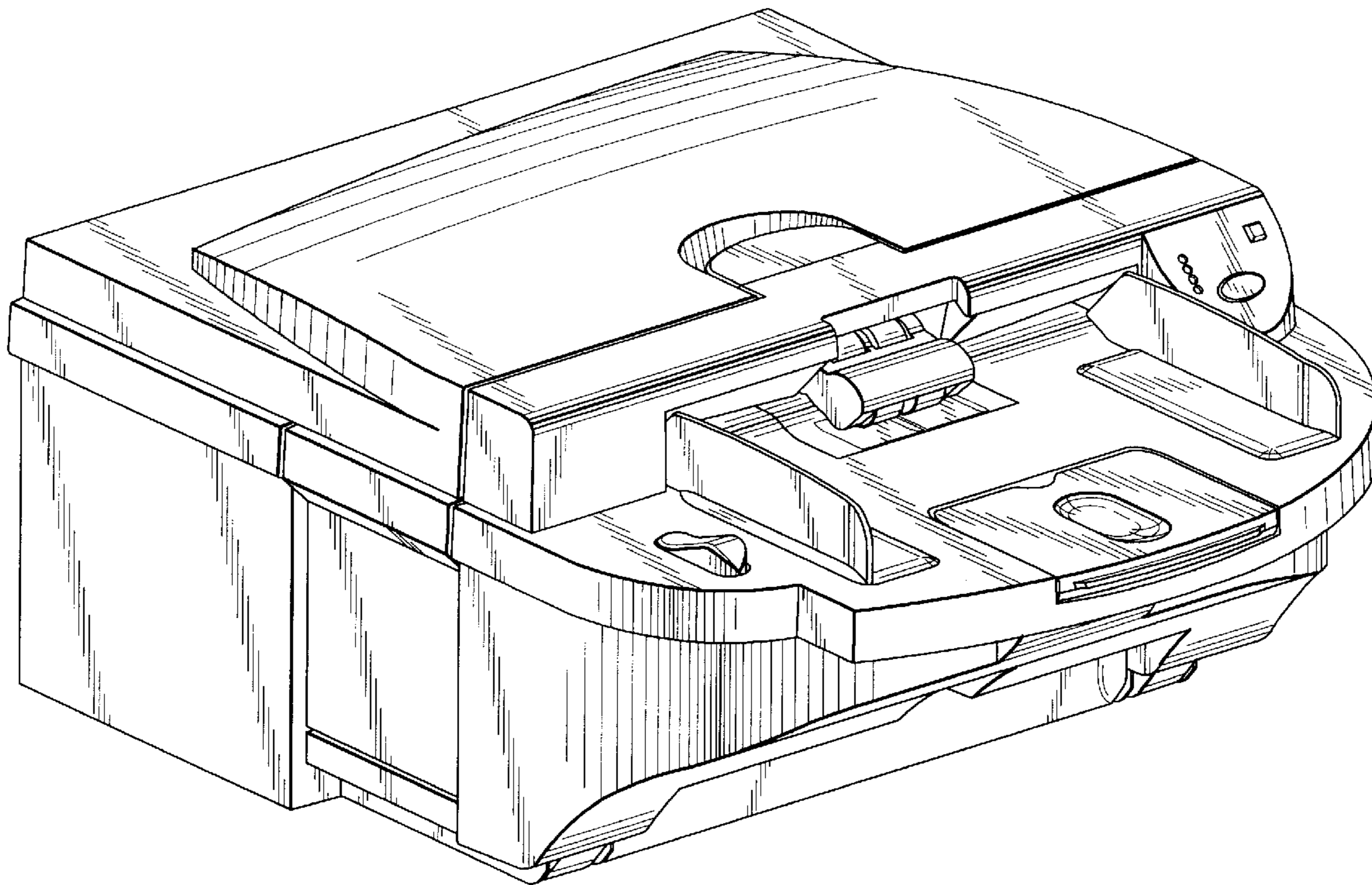
FIG. 3 is a front view thereof;

FIG. 4 is a top view thereof;

FIG. 5 is a right side view thereof; and,

FIG. 6 is a left side view thereof.

1 Claim, 6 Drawing Sheets



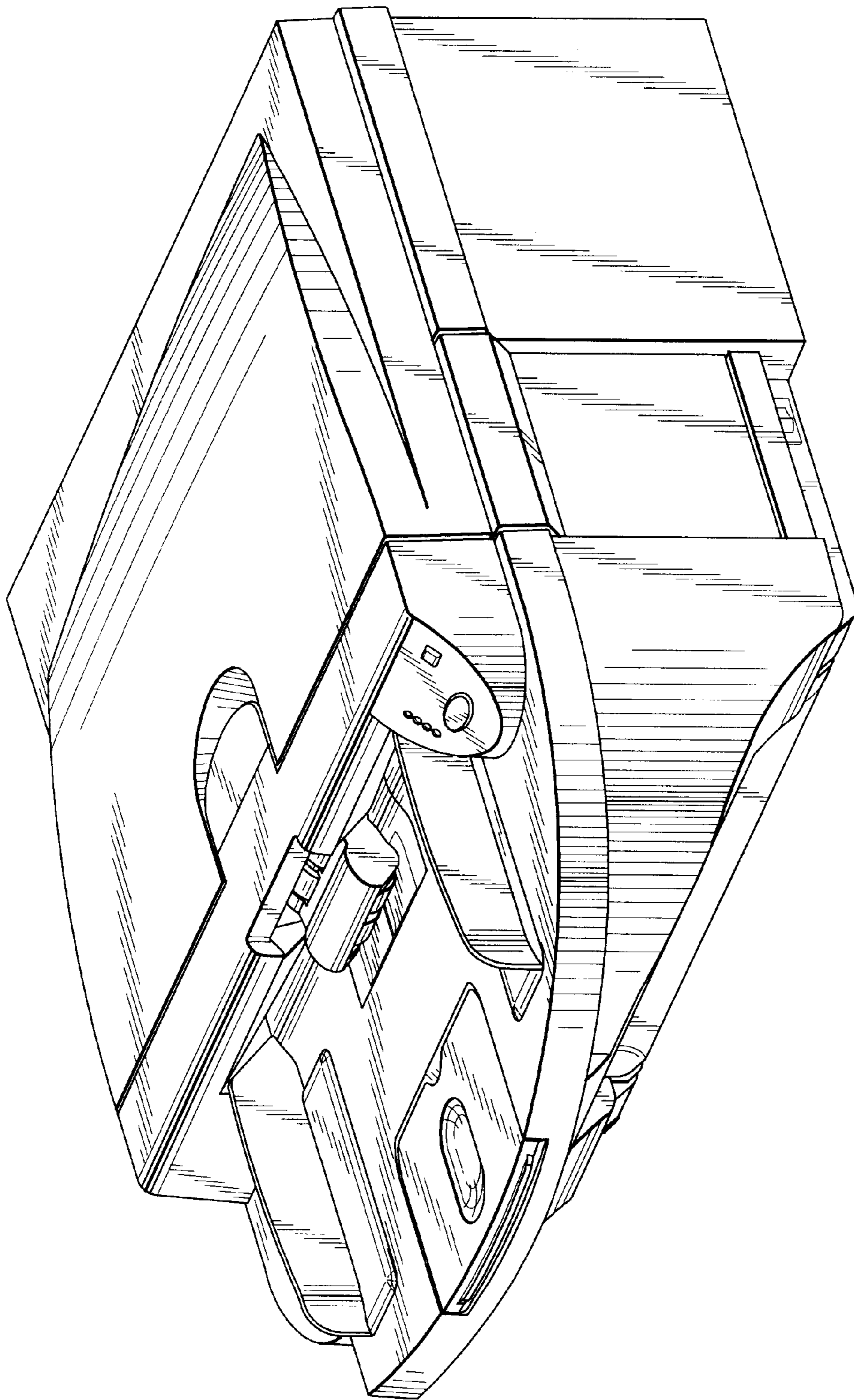


FIG. 1

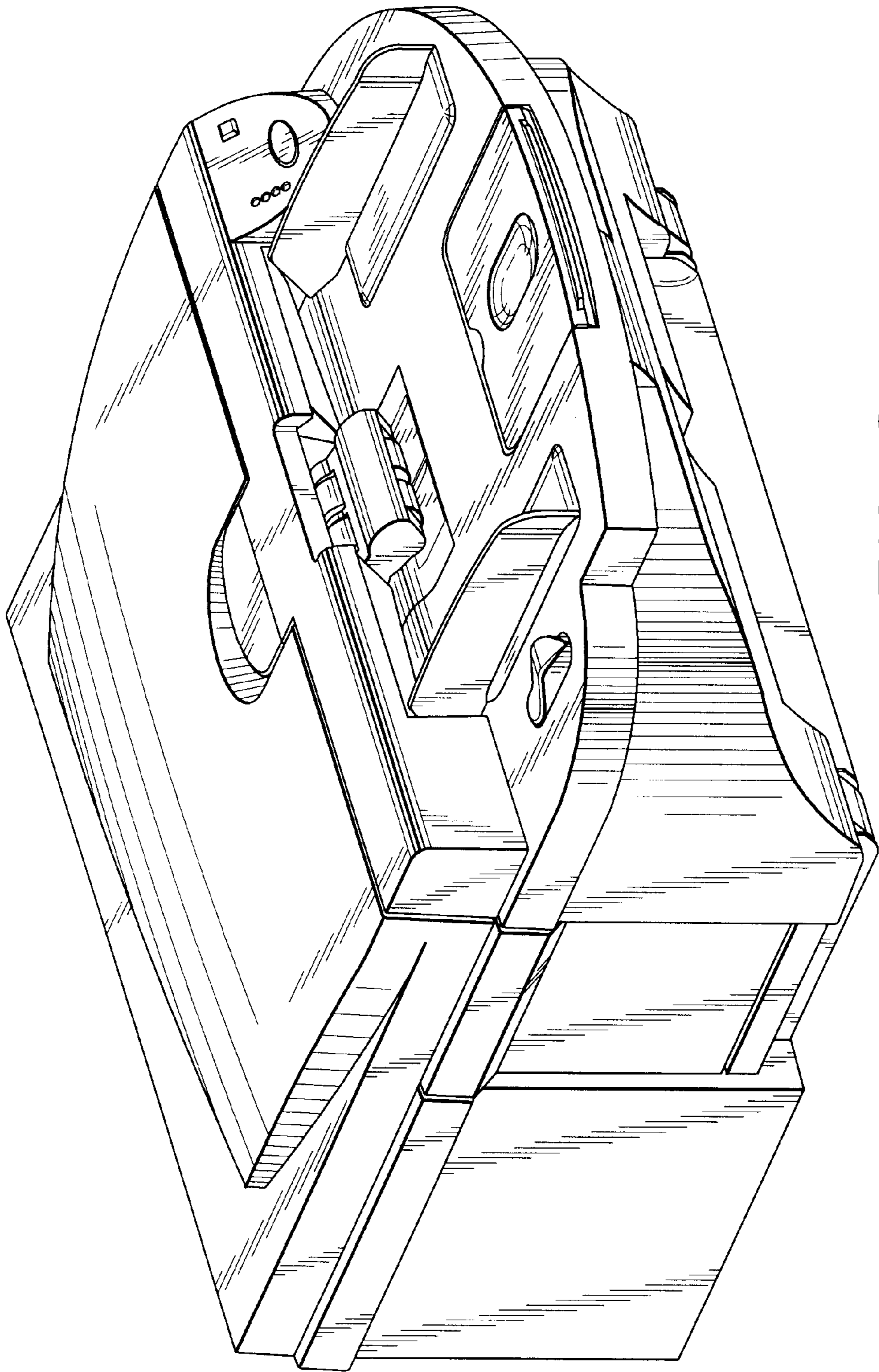


FIG. 2



FIG. 3

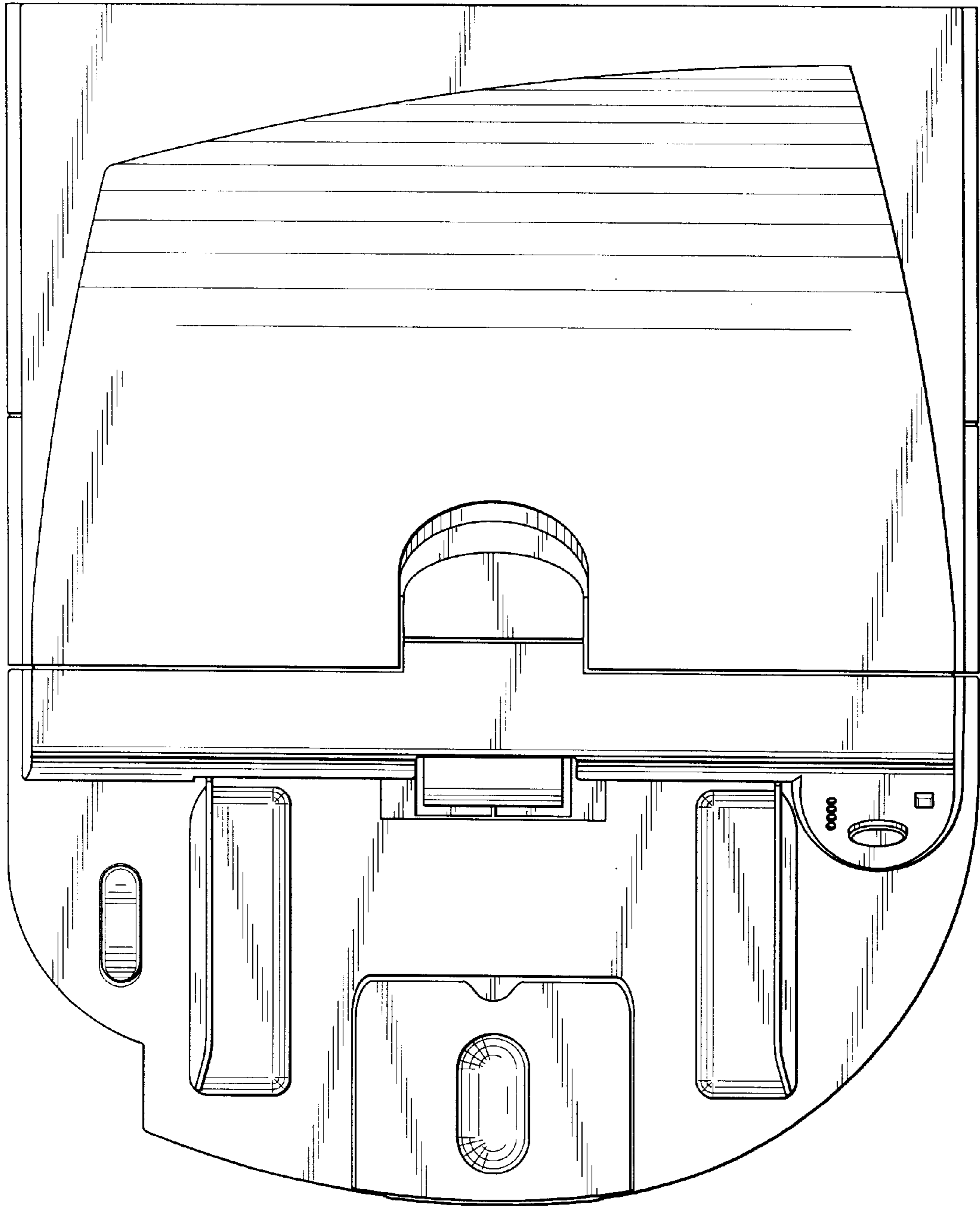


FIG. 4

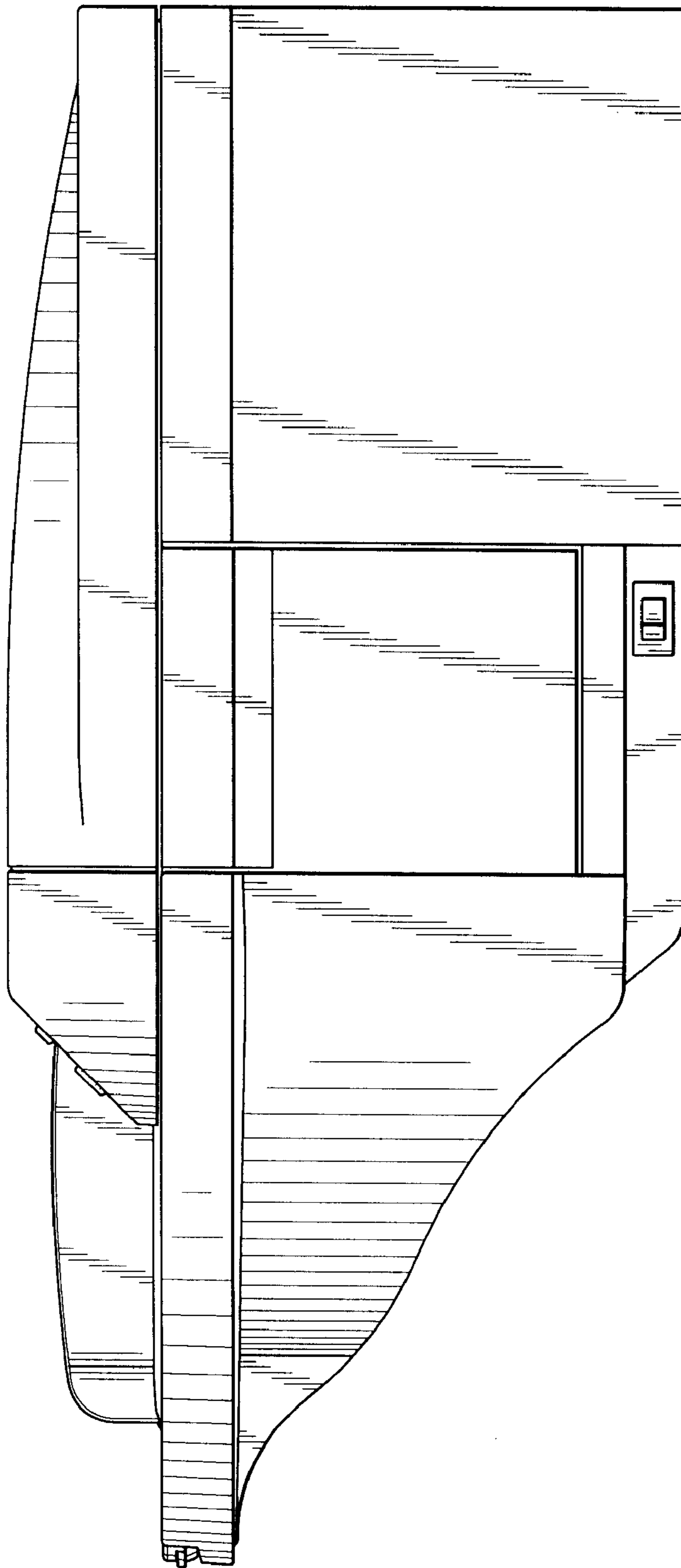


FIG. 5

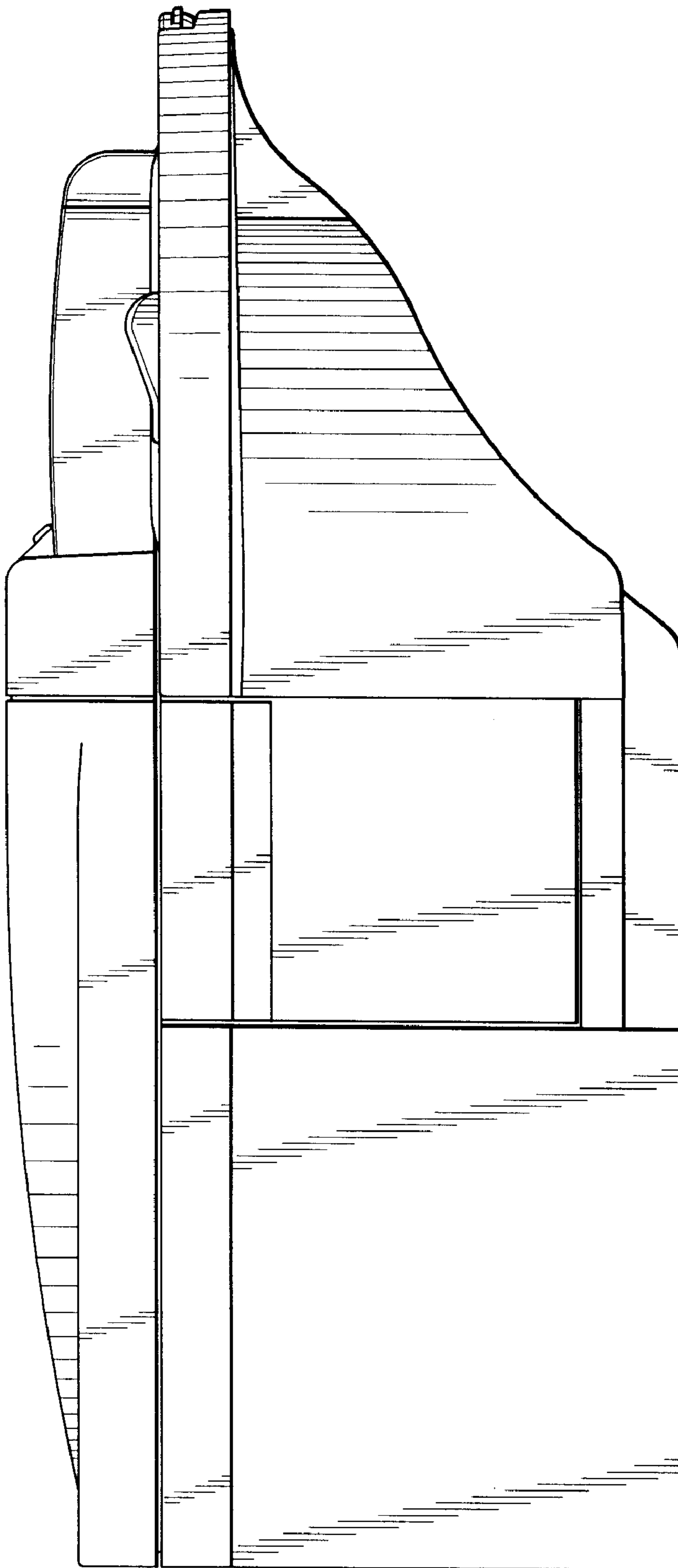


FIG. 6