



US00D432162S

United States Patent [19] Yang

[11] **Patent Number: Des. 432,162**

[45] **Date of Patent: ** Oct. 17, 2000**

[54] **PAPER AUTO-STACKER**

[76] Inventor: **Kuang-Chu Yang**, No. 107, Alley 186,
Lane 75, Kang-Ning Road, Sec. 3,
Taipei 114, Taiwan

[**] Term: **14 Years**

[21] Appl. No.: **29/096,063**

[22] Filed: **Nov. 4, 1998**

[51] **LOC (7) Cl.** **16-03**

[52] **U.S. Cl.** **D18/44**

[58] **Field of Search** D18/36, 44, 46-50,
D18/56; D6/431, 477; D34/21; 355/50,
64, 73; 493/11, 410, 418; 400/613.2, 619

[56] **References Cited**

U.S. PATENT DOCUMENTS

D. 209,680 12/1967 Bravo et al. D6/431

D. 273,337 4/1984 Semerjian et al. D34/21
3,735,975 5/1973 Sukel et al. 493/11
4,749,295 6/1988 Bankier et al. D18/49 X

Primary Examiner—Caron D. Veynar
Attorney, Agent, or Firm—Dougherty & Troxell

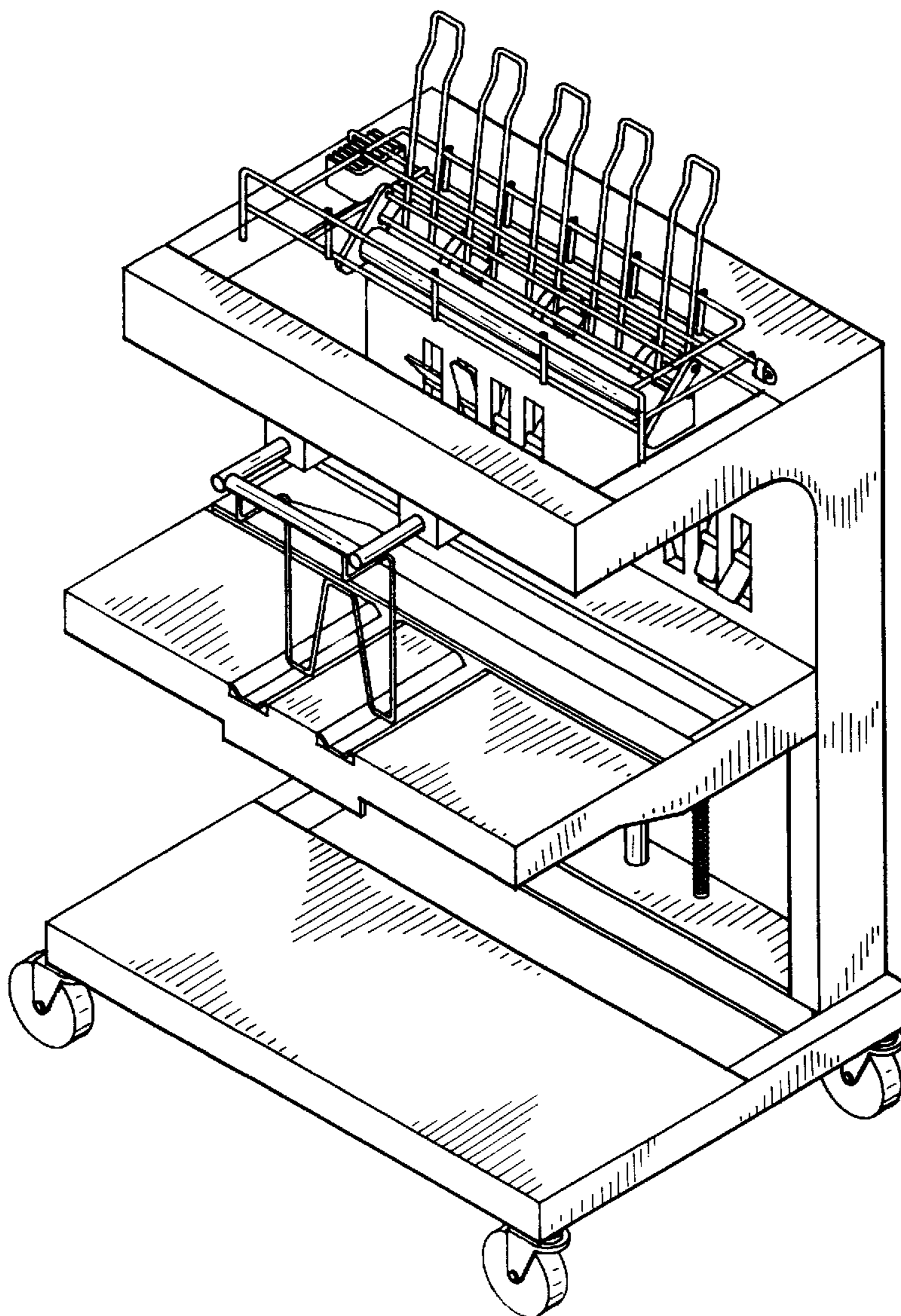
[57] **CLAIM**

The ornamental design for a paper auto-stacker, as show.

DESCRIPTION

FIG. 1 is a perspective view of the paper auto-stacker of this invention;
FIG. 2 is a front elevational view thereof;
FIG. 3 is a rear elevational view thereof;
FIG. 4 is a left side elevational view thereof;
FIG. 5 is a right side elevational view thereof;
FIG. 6 is a top plan view thereof; and,
FIG. 7 is a bottom plan view thereof.

1 Claim, 4 Drawing Sheets



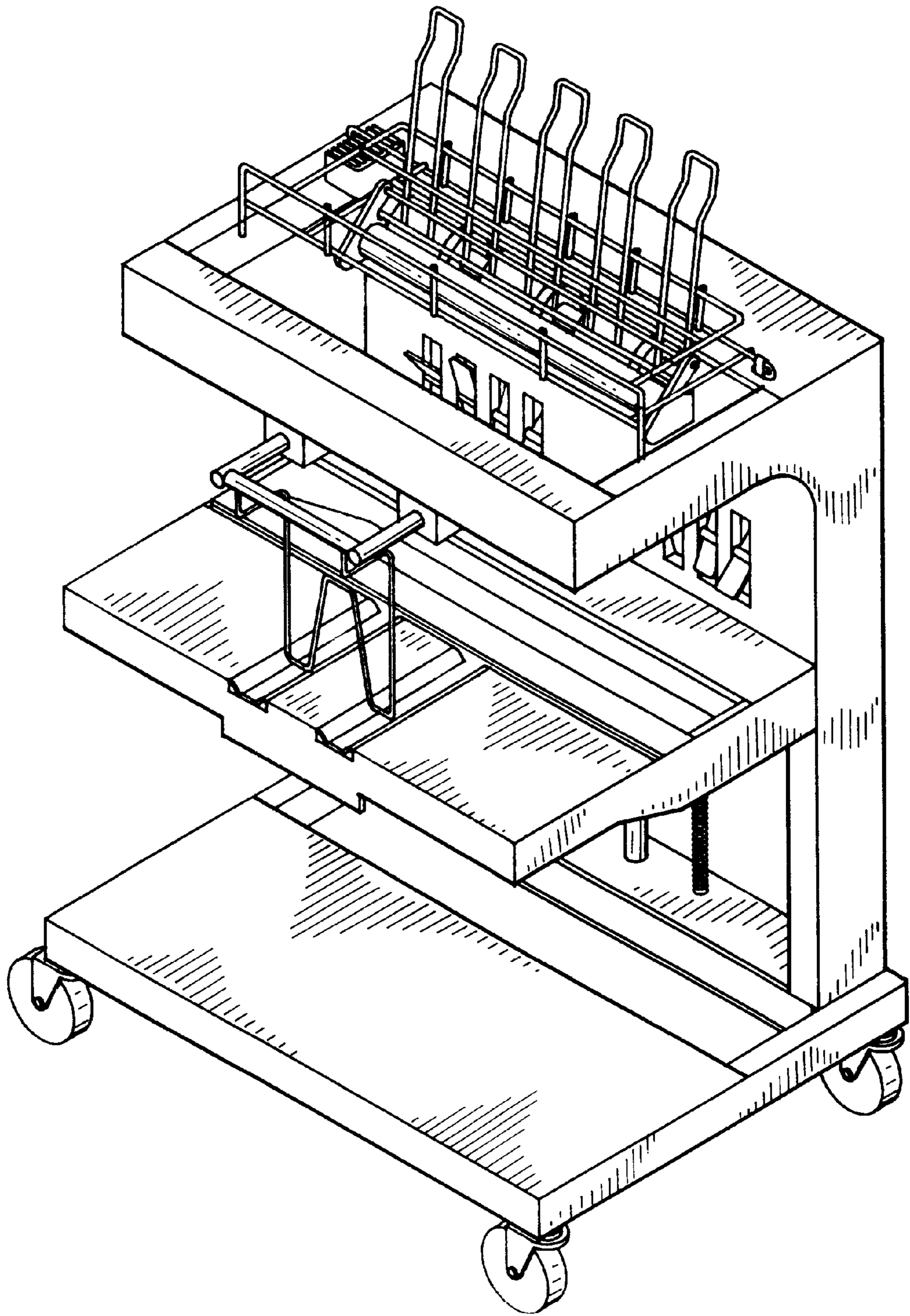


FIG. 1

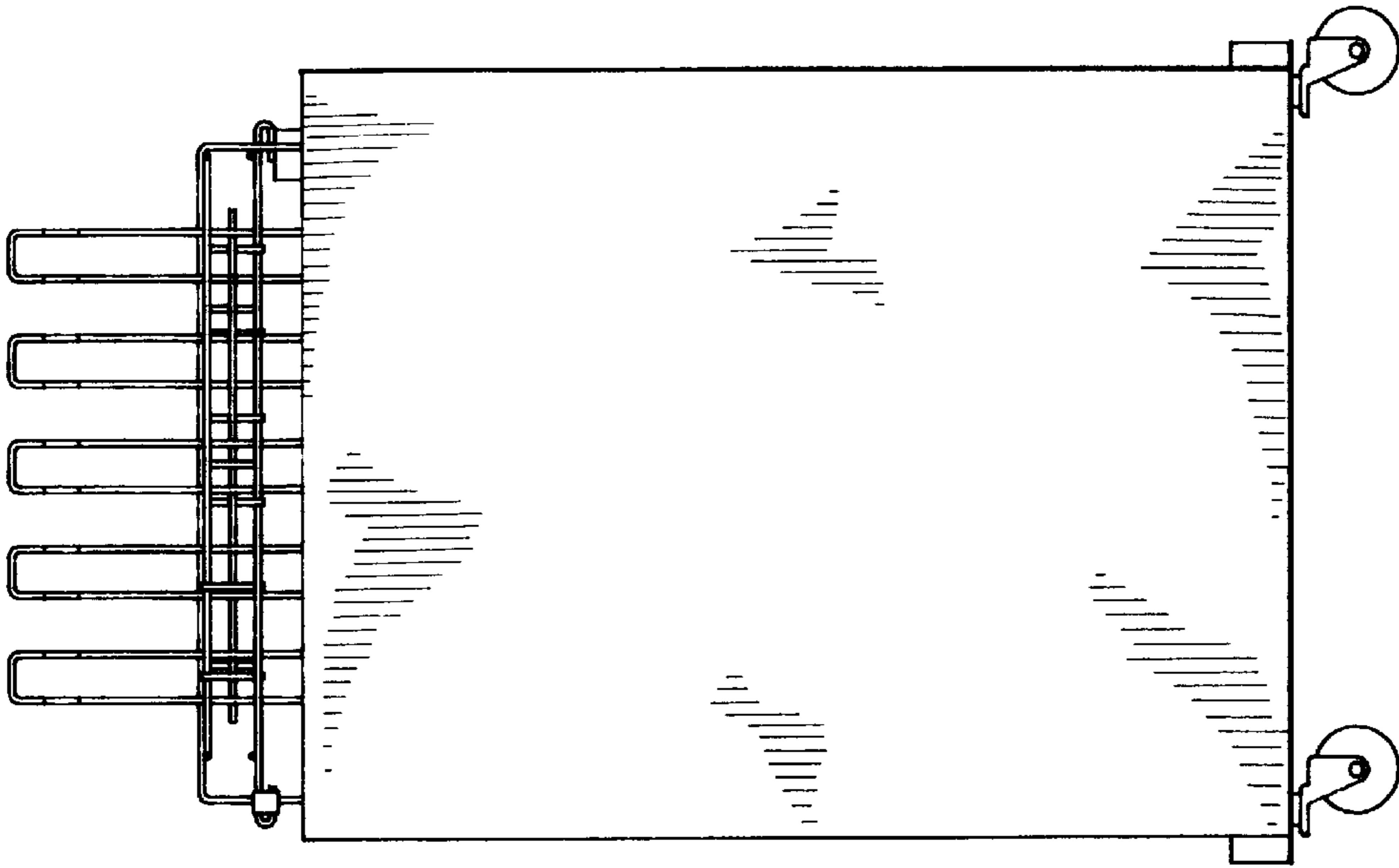


FIG.3

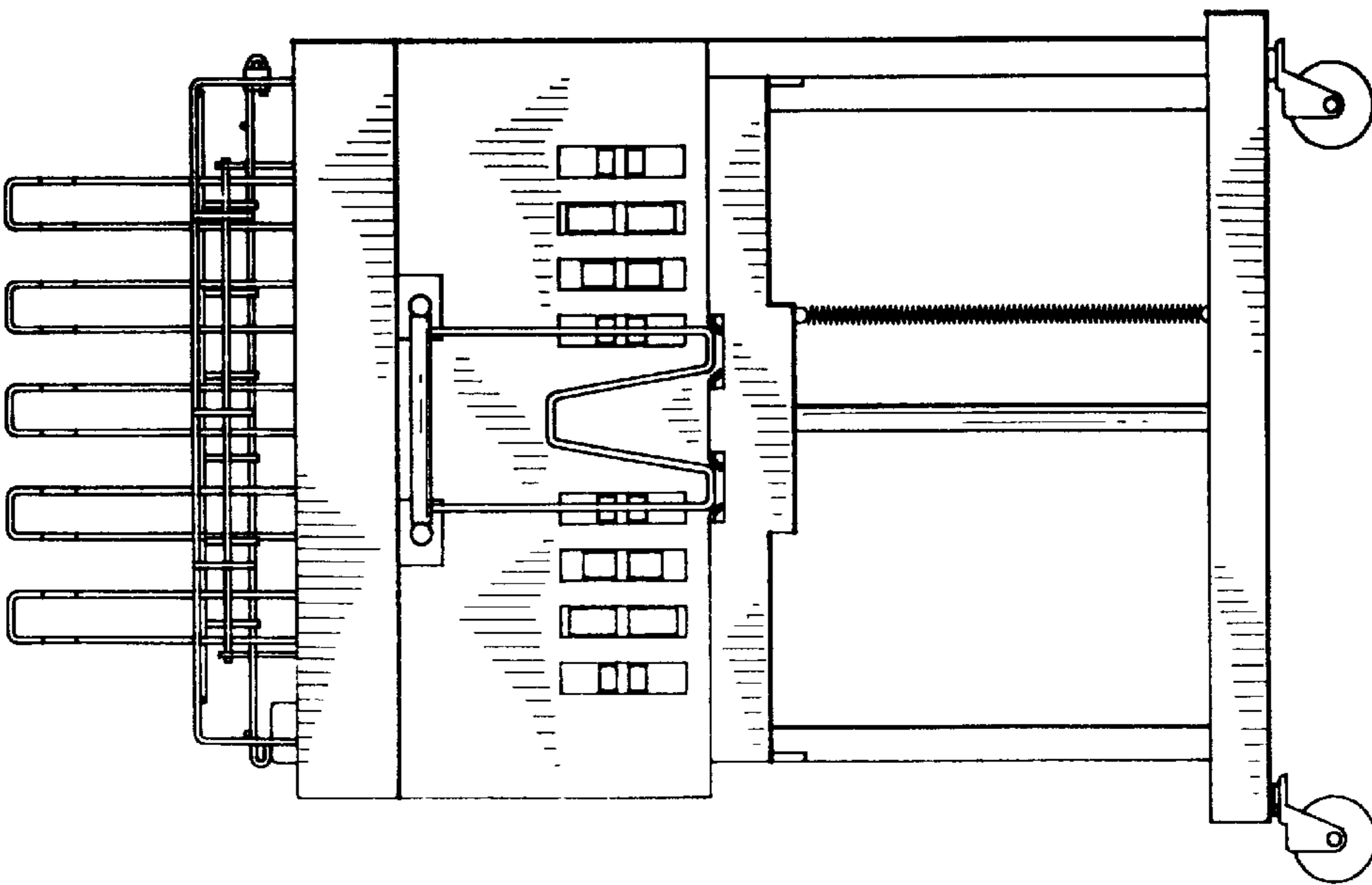


FIG.2

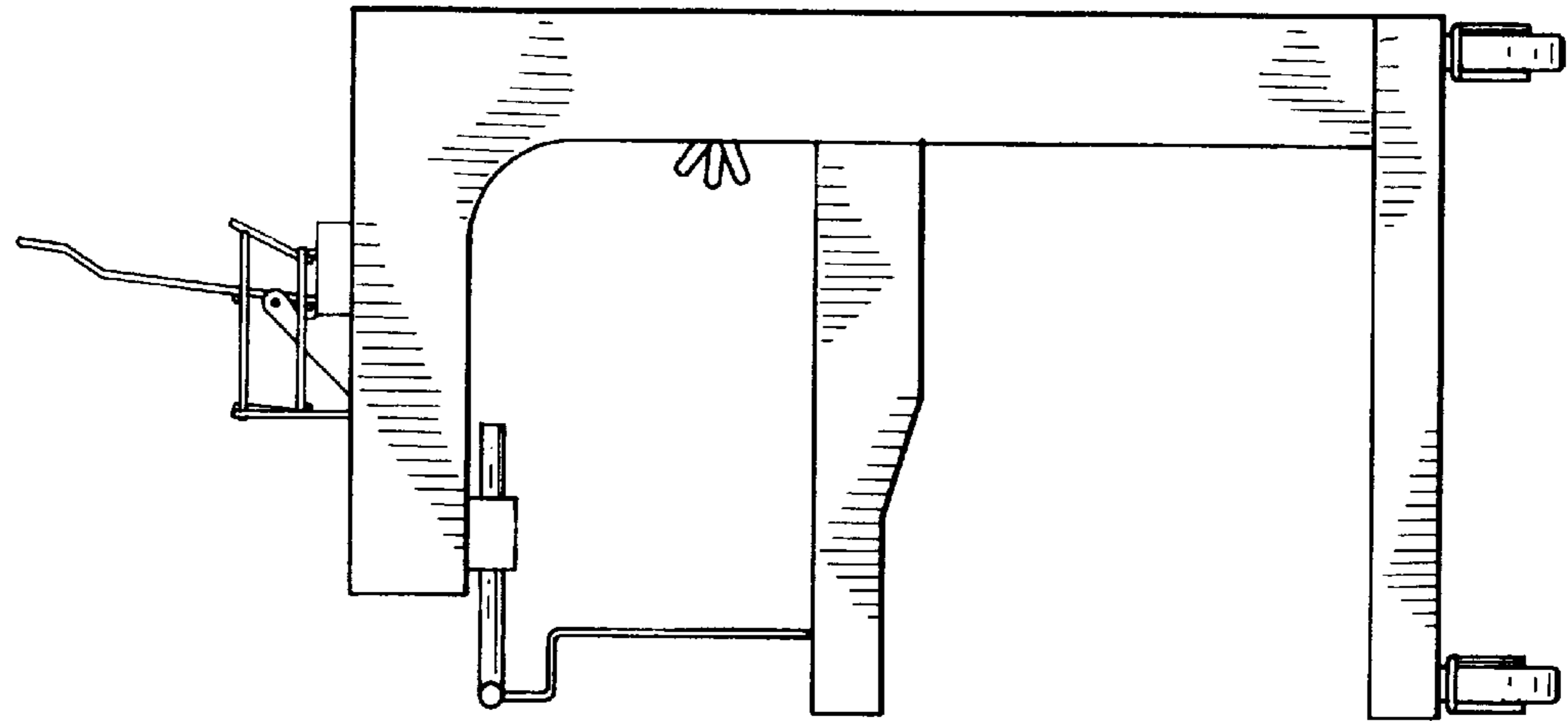


FIG.5

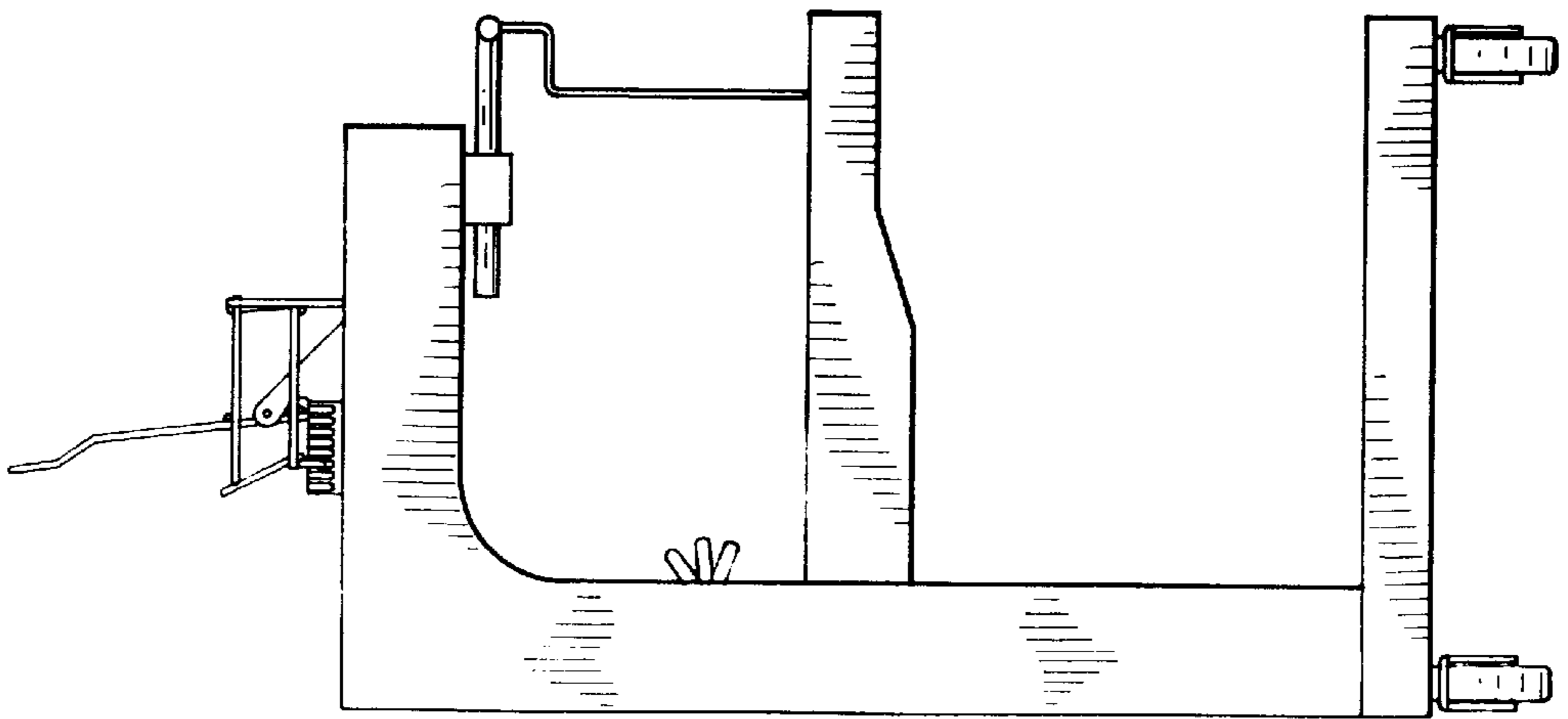


FIG.4

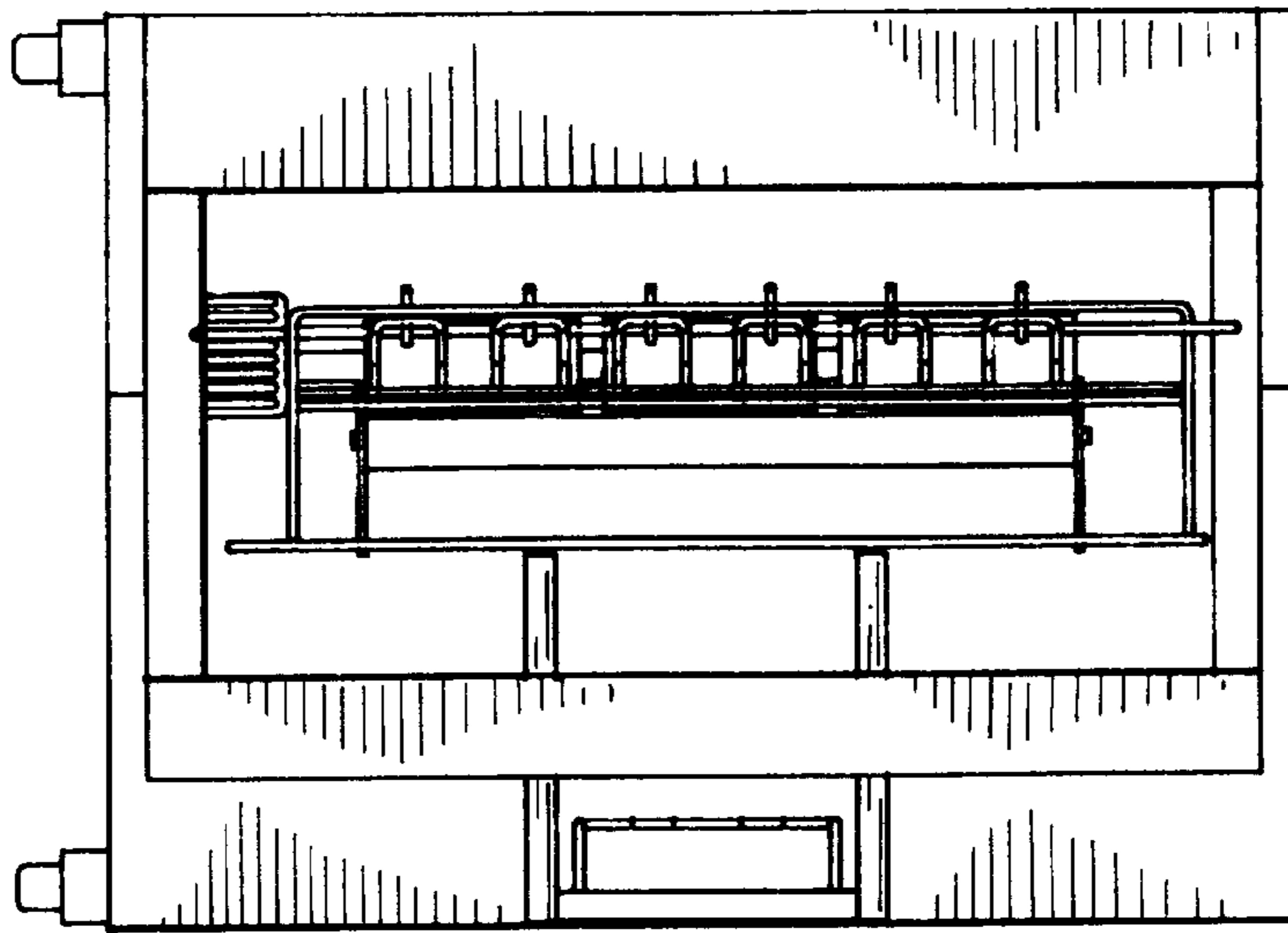


FIG. 6

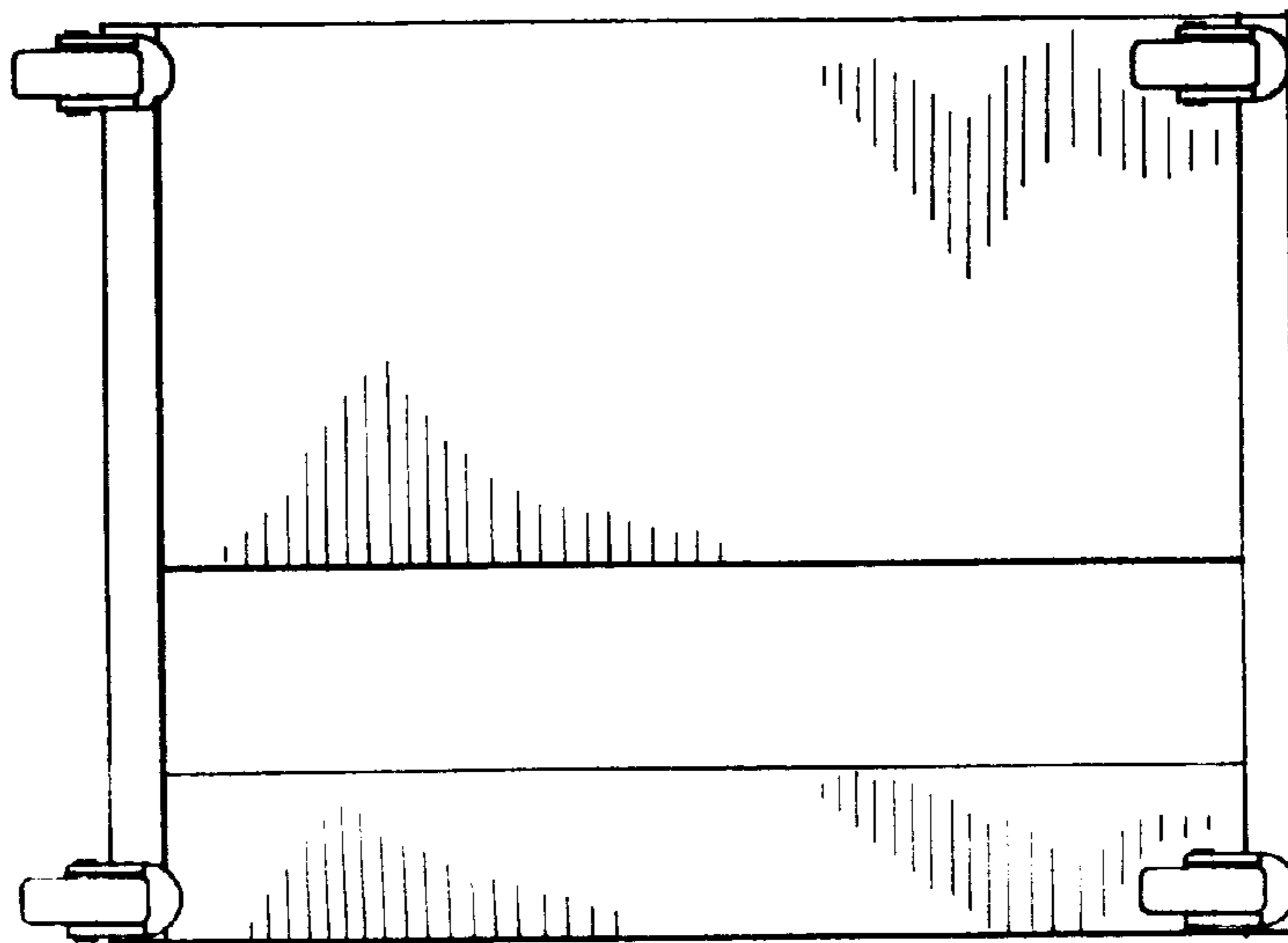


FIG. 7