



US00D432160S

United States Patent [19]

Kabumoto et al.

[11] Patent Number: Des. 432,160

[45] Date of Patent: ** Oct. 17, 2000

[54] ELECTRONIC COPYING MACHINE

D. 380,768 7/1997 Agata D18/38
4,935,821 6/1990 Sano et al. 358/427

[75] Inventors: Masaaki Kabumoto, Chiba; Kazuyoshi Yamada, Kanagawa; Yoshihisa Minakawa, Tokyo; Taijiroh Sueishi; Goroh Katsuyama, both of Kanagawa, all of Japan

Primary Examiner—Caron D. Veynar
Attorney, Agent, or Firm—Dickstein Shapiro Morin & Oshinsky LLP

[73] Assignee: Ricoh Company, Ltd., Tokyo, Japan

[**] Term: 14 Years

[57] CLAIM

The ornamental design for the electronic copying machine, as shown and described.

[21] Appl. No.: 29/106,451

[22] Filed: Jun. 17, 1999

[30] Foreign Application Priority Data

Dec. 18, 1998 [JP] Japan 10-036771

[51] LOC (7) Cl. 16-03

[52] U.S. Cl. D18/37

[58] Field of Search D18/36-39; 399/1-7; 358/427

DESCRIPTION

FIG. 1 is a top, front and left side perspective view of an electronic copying machine showing our new design; FIG. 2 is a front elevation view thereof; FIG. 3 is a top elevation view thereof; FIG. 4 is a rear elevation view thereof; FIG. 5 is a bottom elevation view thereof; FIG. 6 is a left side elevation view thereof; FIG. 7 is a right side elevation view thereof; and, FIG. 8 is a top, front and left side perspective showing the state in which the electronic copying machine is used in combination with a sheet feeder and a stacker. The broken line showing of a sheet feeder and stacker in FIG. 8 is for illustrative purposes only and forms no part of the claimed design.

[56] References Cited

U.S. PATENT DOCUMENTS

- D. 280,630 9/1985 Kadota D18/38
- D. 299,926 2/1989 Katada et al. D18/38
- D. 329,056 9/1992 Mizukami et al. D18/39

1 Claim, 5 Drawing Sheets

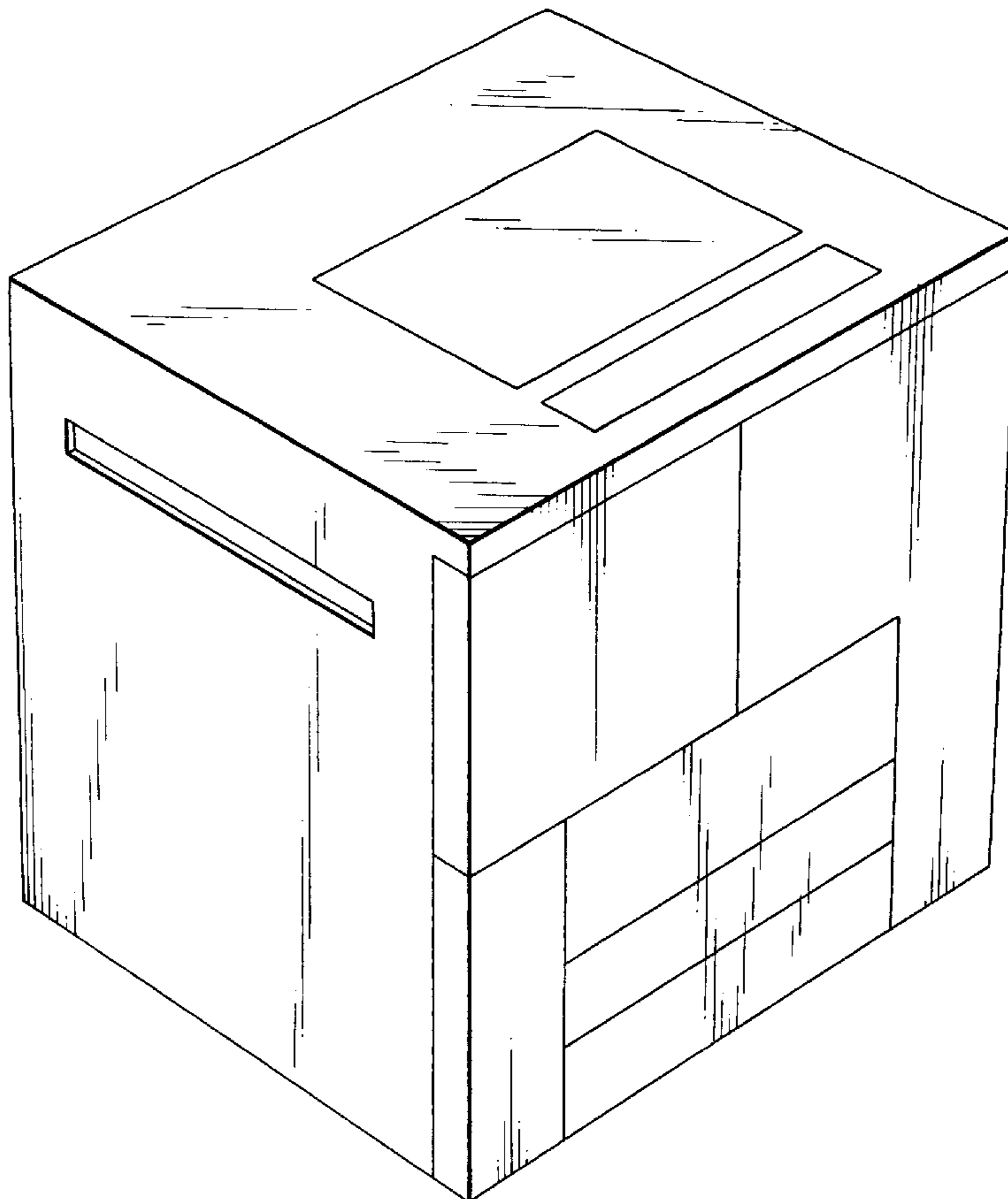


FIG. 1

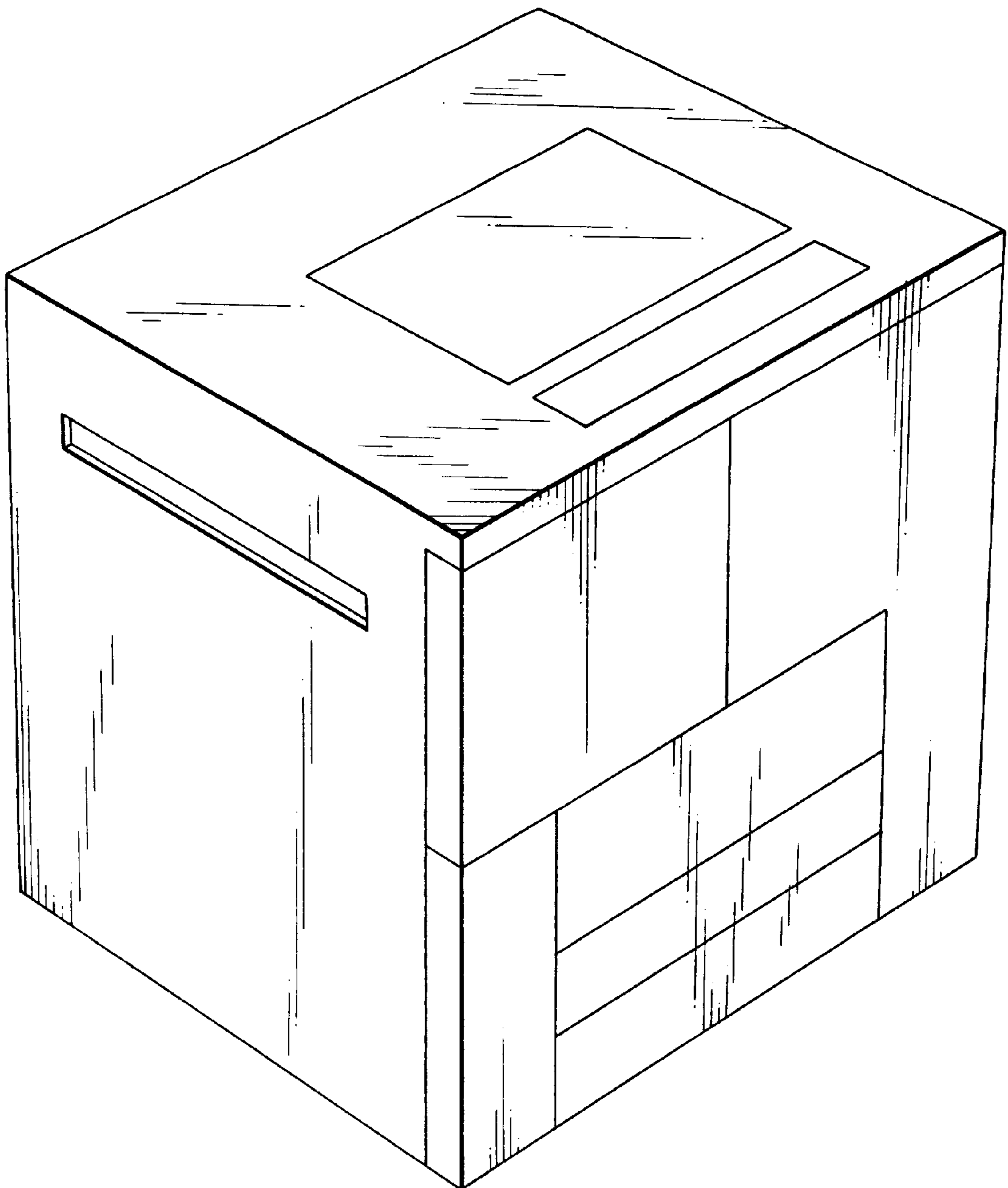


FIG. 2

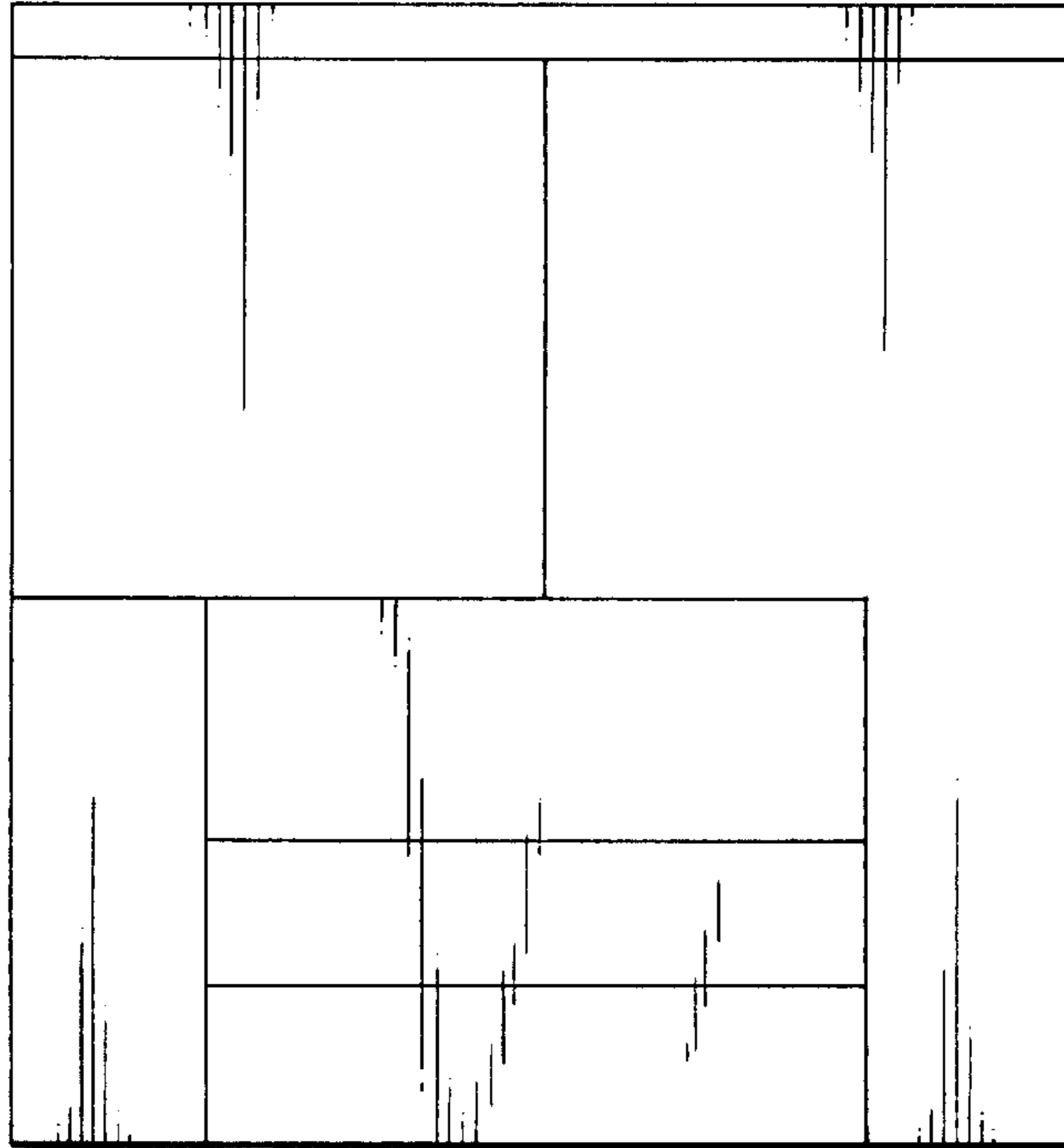


FIG. 3

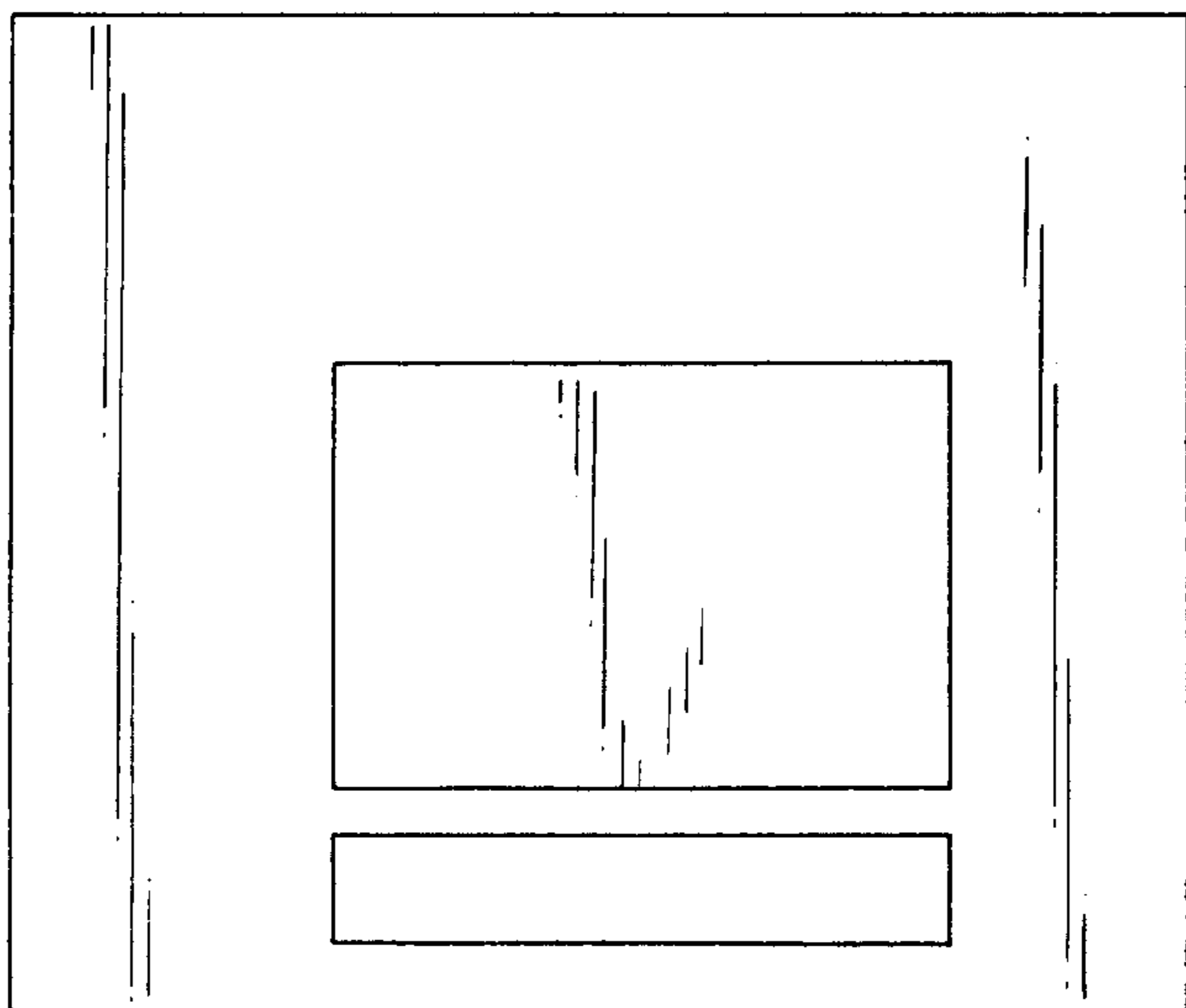


FIG. 4

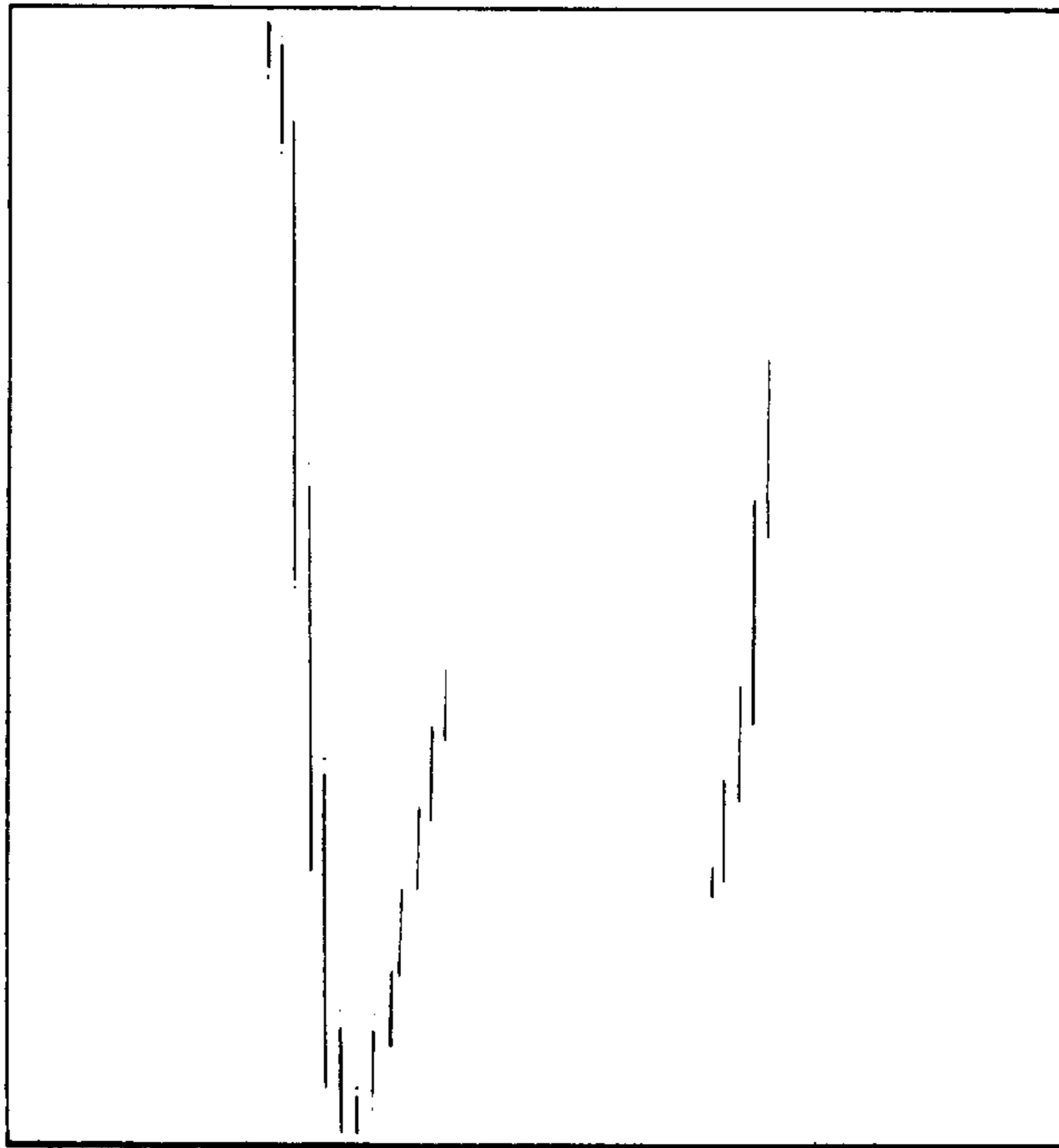


FIG. 5

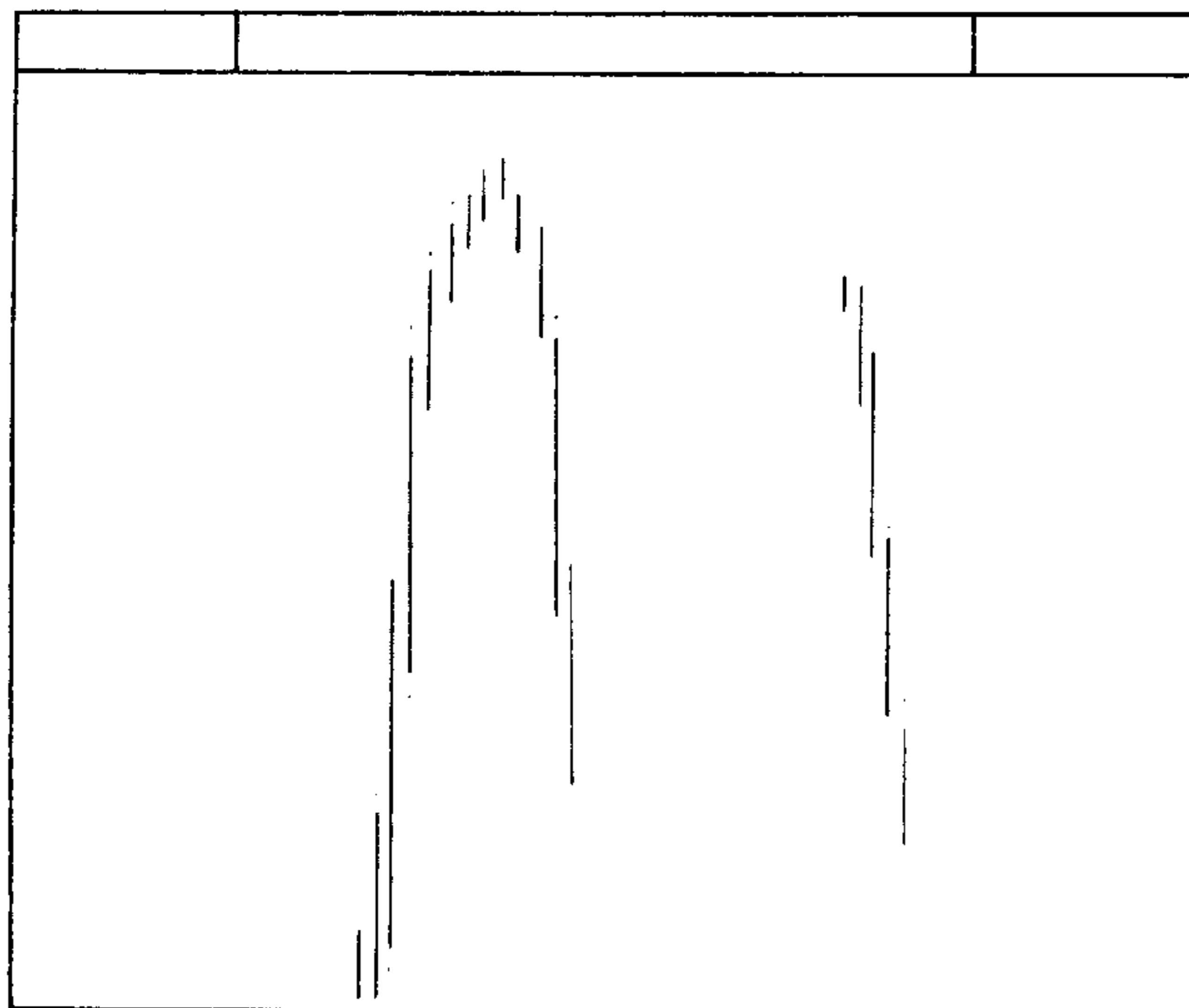


FIG. 6

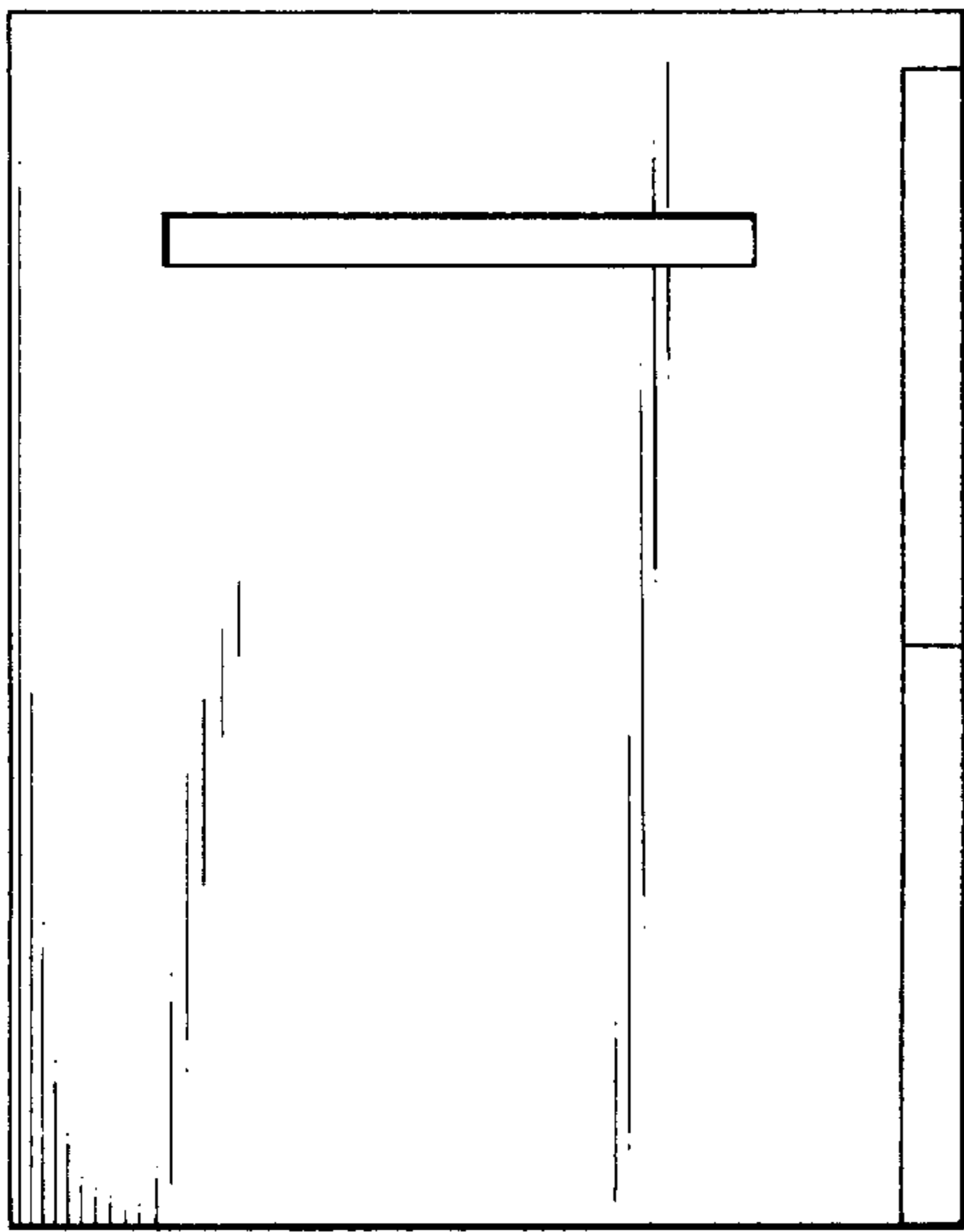
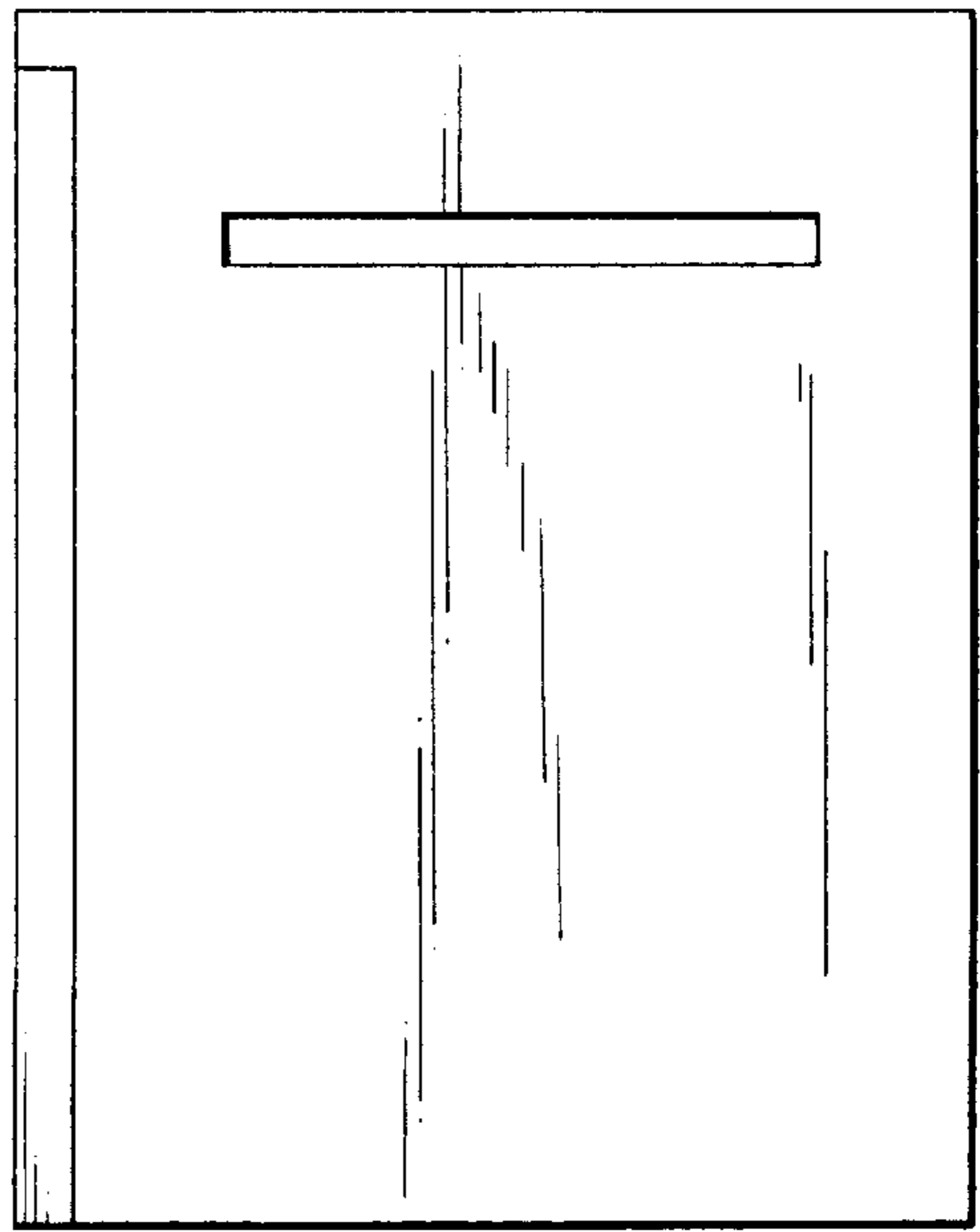


FIG. 7



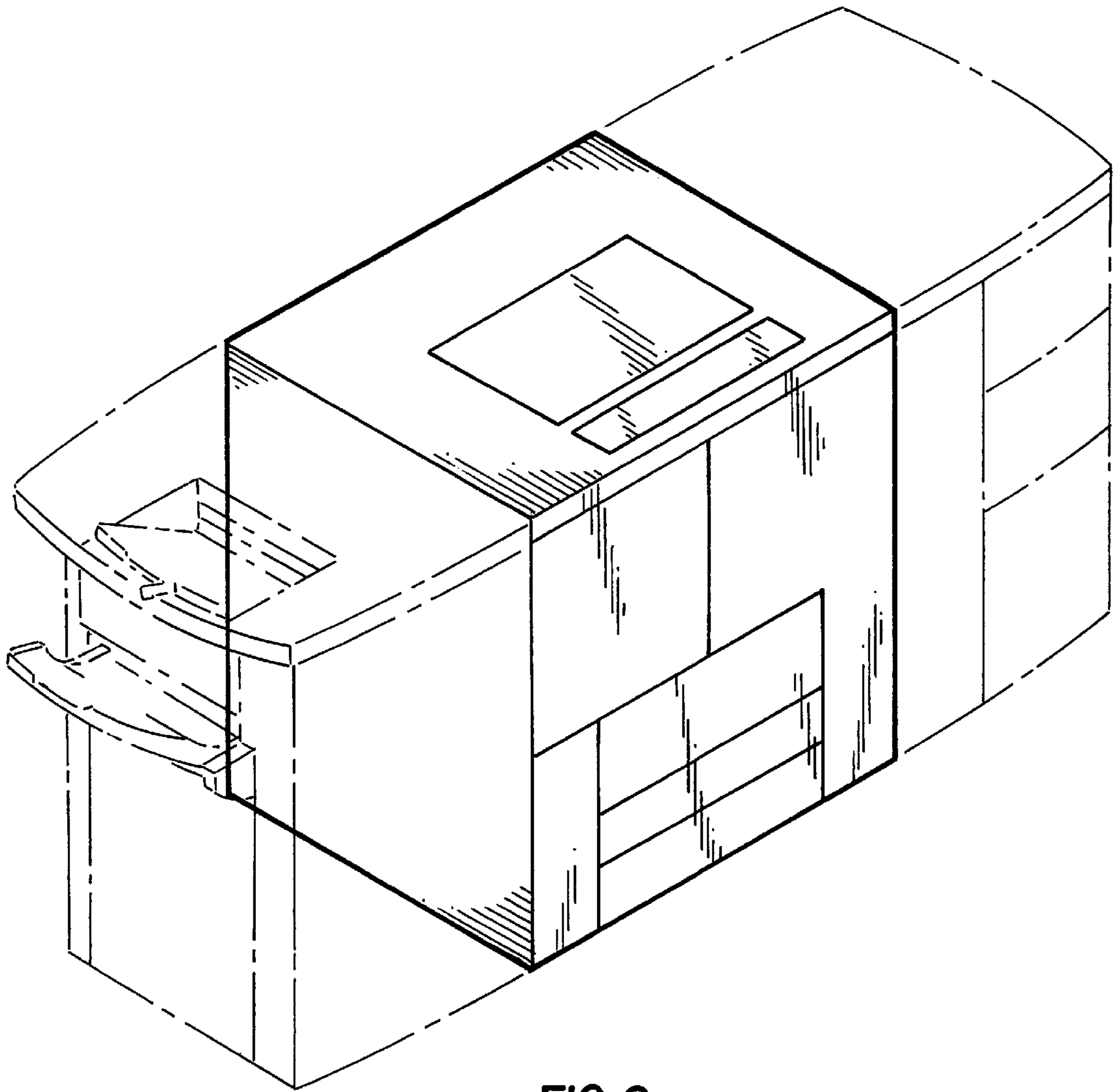


FIG. 8