



US00D432153S

# United States Patent [19]

Cooper et al.

[11] Patent Number: Des. 432,153

[45] Date of Patent: \*\* Oct. 17, 2000

[54] DIGITAL CAMERA ADAPTER

5,541,686 7/1996 Stephenson ..... 396/544  
5,781,807 7/1998 Glassgold et al. .... 396/71

[75] Inventors: **David Cooper**, Fairport; **Russell J. Kalil**, Skaneateles Falls; **David G. Perkins**; **Lauri A. Ventresca**, both of Syracuse; **Robb D. Bonilla**, Auburn; **Elizabeth P. Staples**, Cayuga; **William R. Wrisley**, Syracuse, all of N.Y.

*Primary Examiner*—Adir Aronovich  
*Attorney, Agent, or Firm*—Wall Marjama Bilinski & Burr

[73] Assignee: **Welch Allyn, Inc.**, Skaneateles Falls, N.Y.

### [57] CLAIM

The ornamental design for a digital camera adapter, as shown and described.

[\*\*] Term: 14 Years

### DESCRIPTION

[21] Appl. No.: 29/100,982

FIG. 1 is a front perspective view of an adapter, illustrating our new Design;  
FIG. 2 is a rear perspective view of the adapter of FIG. 1;  
FIG. 3 is a front perspective view of the adapter of FIGS. 1 and 2 as typically attached to a digital camera;  
FIG. 4 is a top plan view of the adapter;  
FIG. 5 is a front view of the adapter;  
FIG. 6 is a bottom view of the adapter;  
FIG. 7 is a left side view of the adapter;  
FIG. 8 is a right side view of the adapter; and,  
FIG. 9 is a rear view of the adapter.

[22] Filed: Feb. 22, 1999

[51] LOC (7) Cl. .... 16-05

[52] U.S. Cl. .... D16/237; D16/219

[58] Field of Search ..... D16/200, 202, D16/208, 218, 219, 237; 396/71, 544; 348/373-376

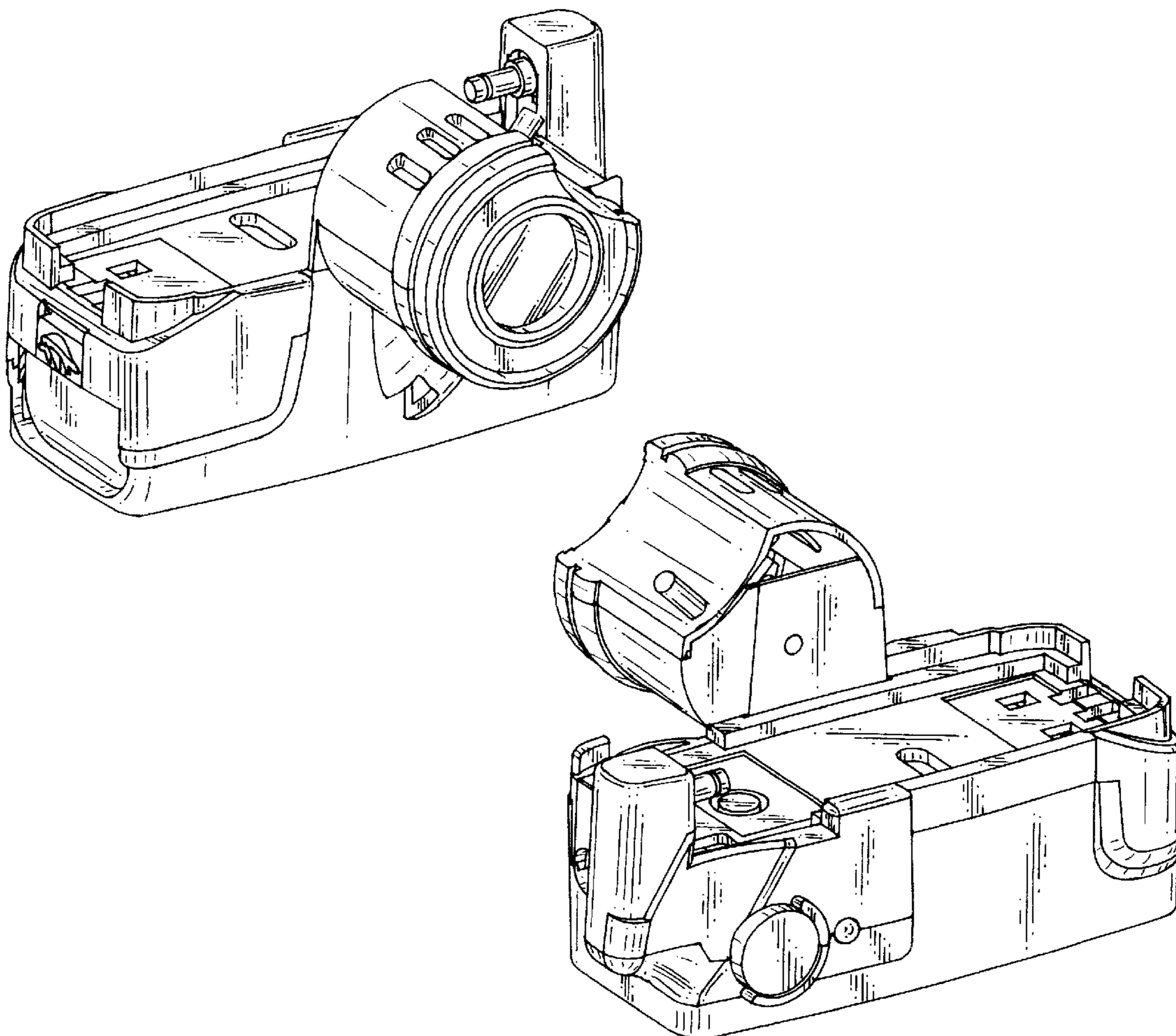
The broken lines showing of a digital camera is for illustrative purposes only and forms no part of the claimed design.

### [56] References Cited

#### U.S. PATENT DOCUMENTS

D. 342,085 12/1993 Miyahara ..... D16/237  
2,576,494 11/1951 Waggin ..... 396/544

1 Claim, 3 Drawing Sheets



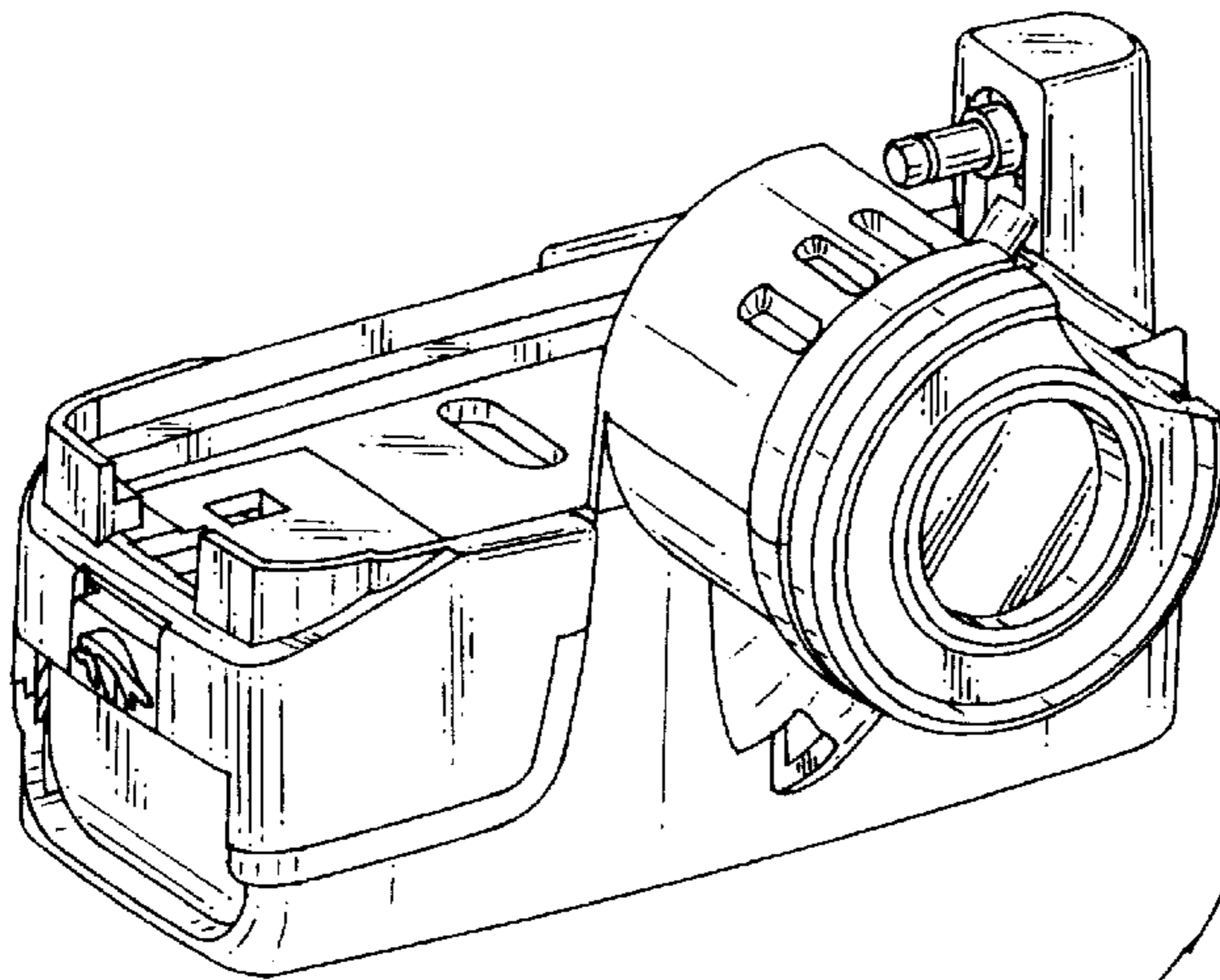


FIG. 1

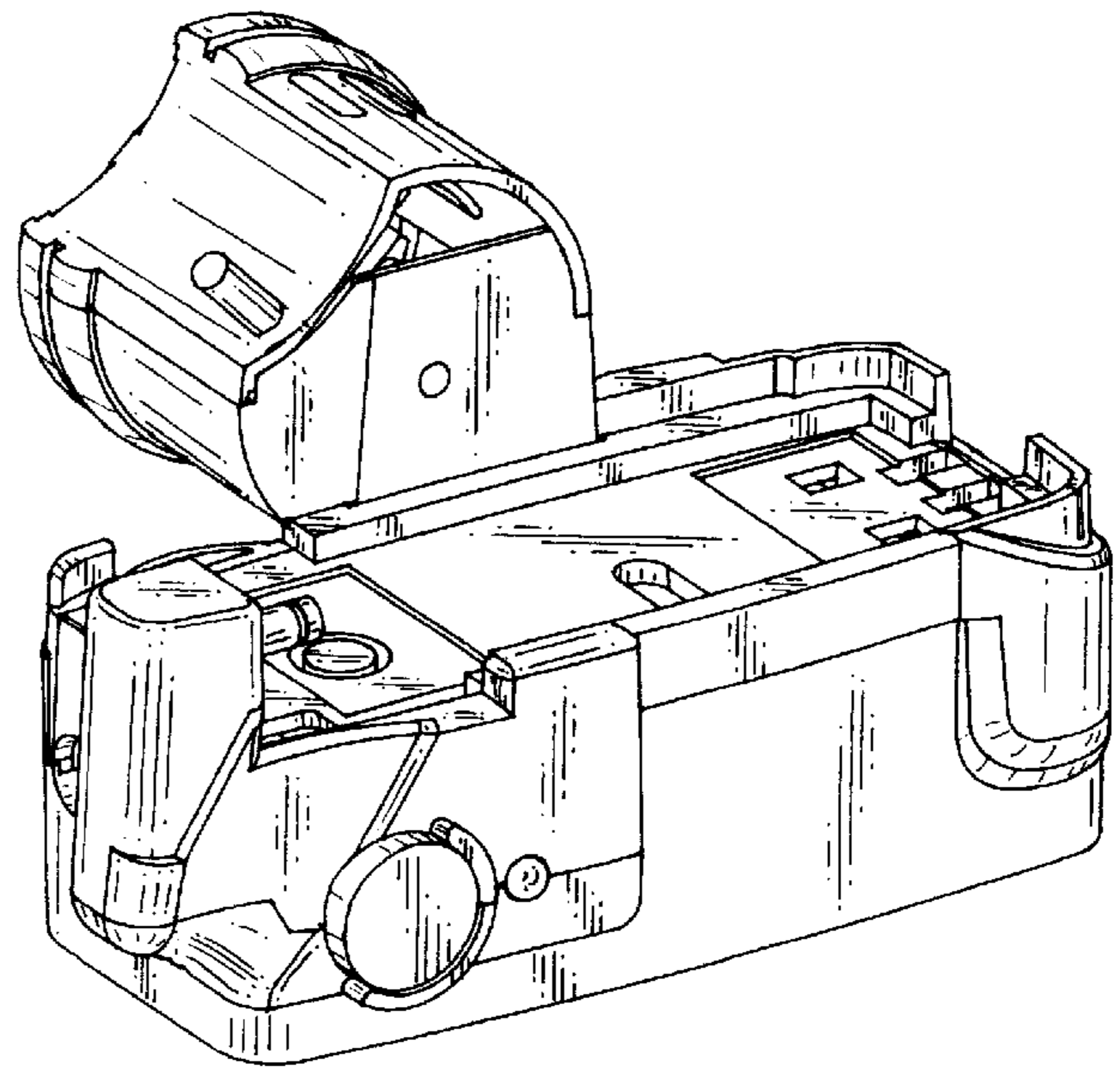


FIG. 2

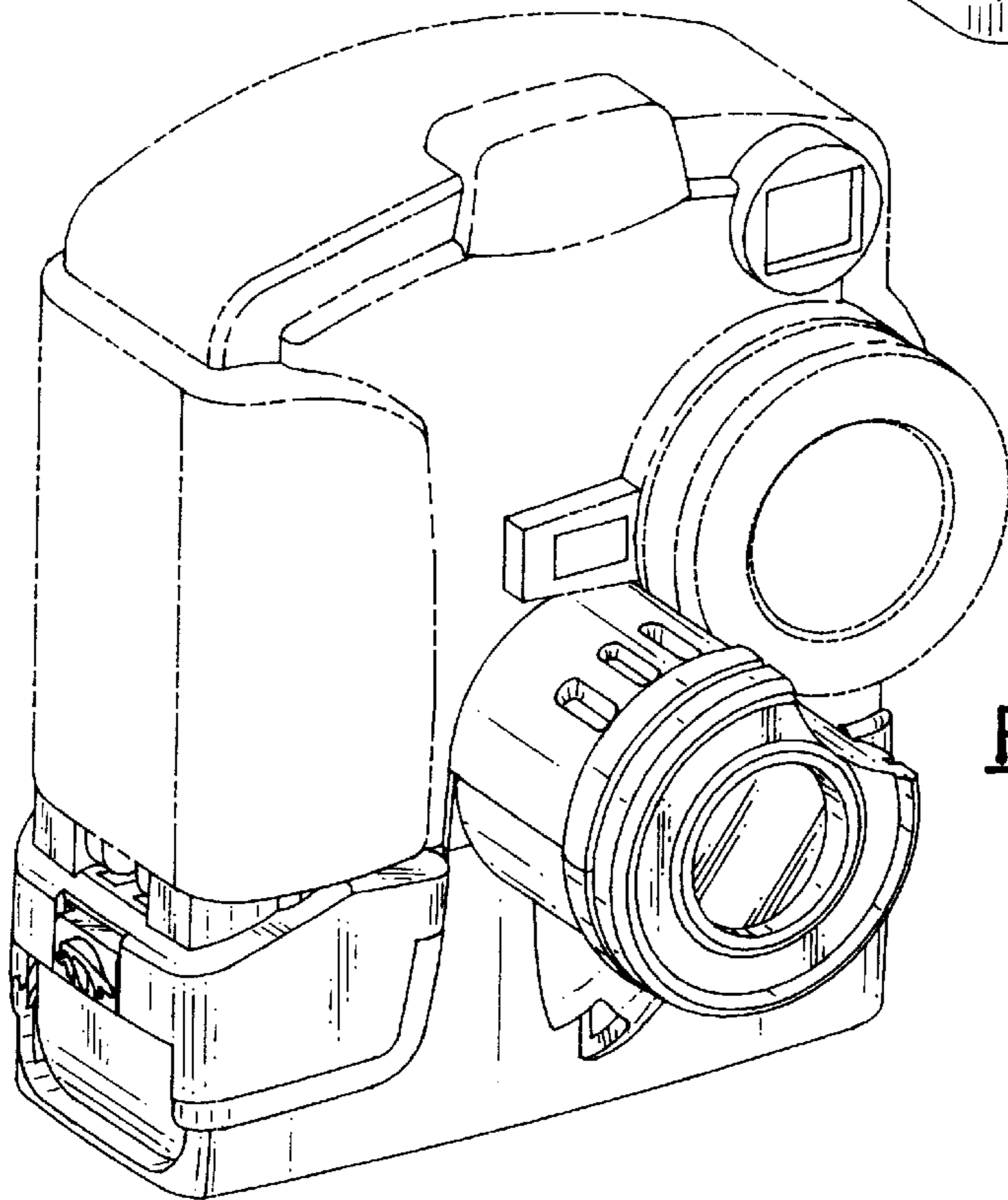


FIG. 3

FIG.4

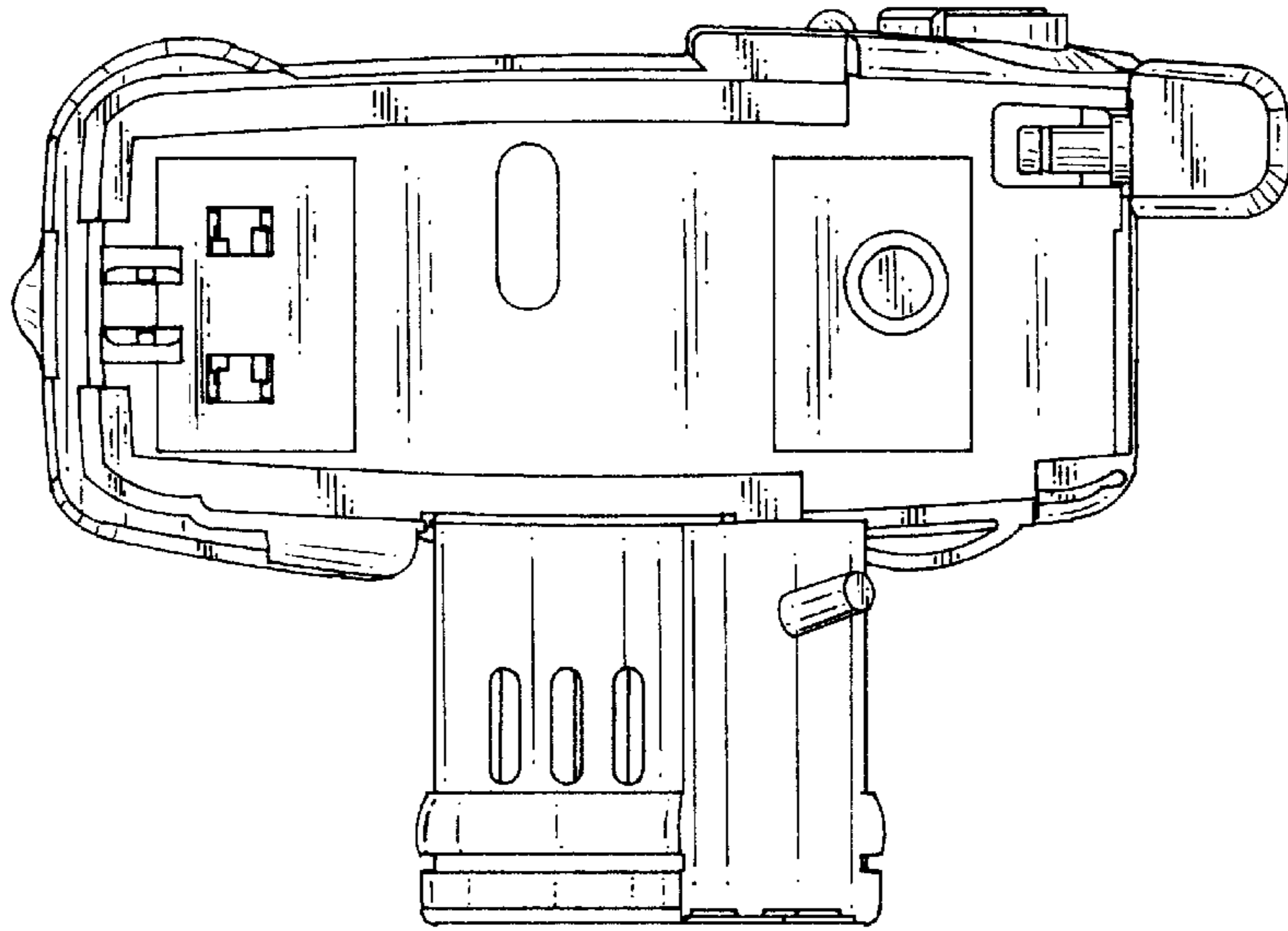


FIG.5

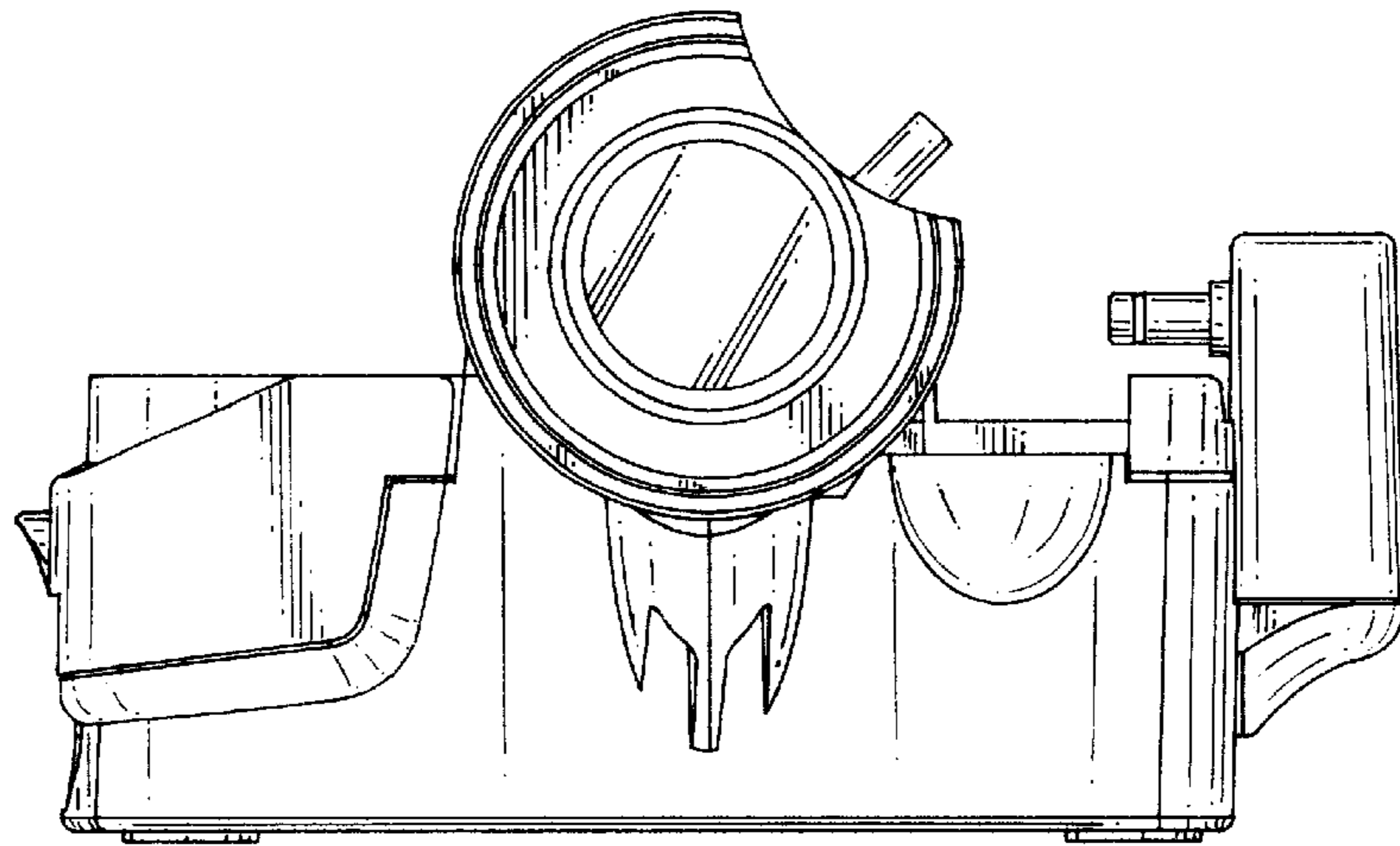


FIG.6

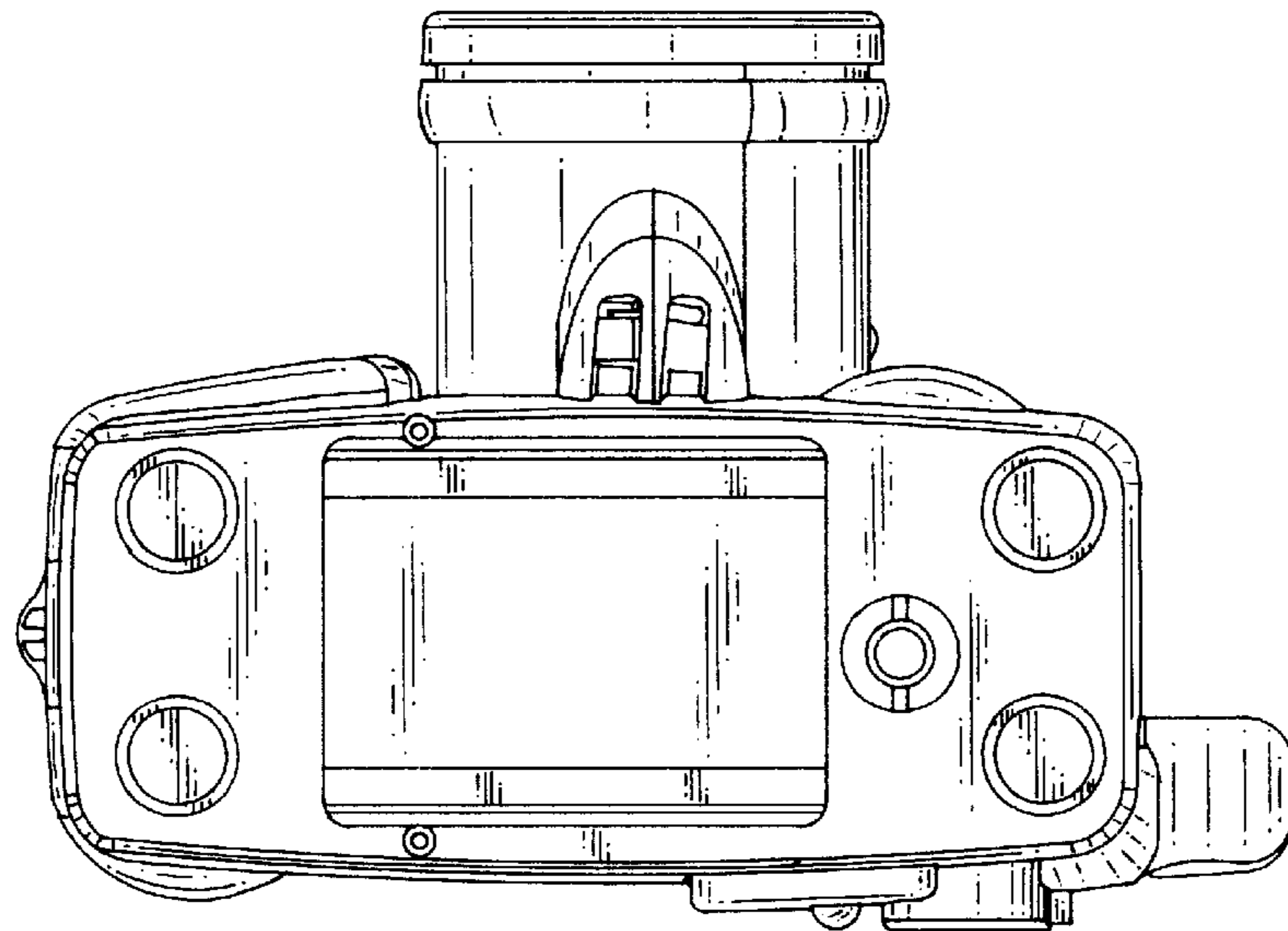


FIG.7

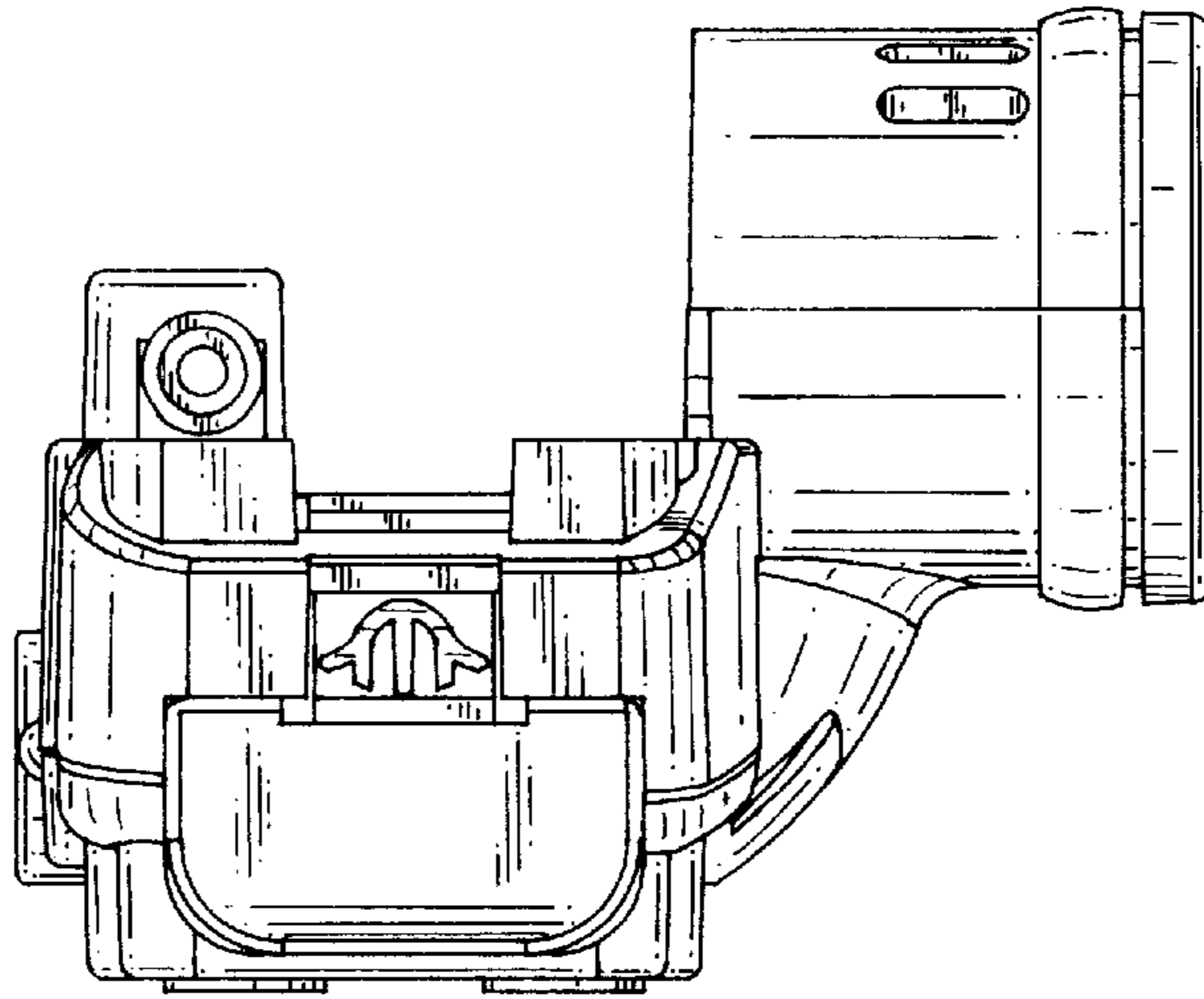


FIG.8

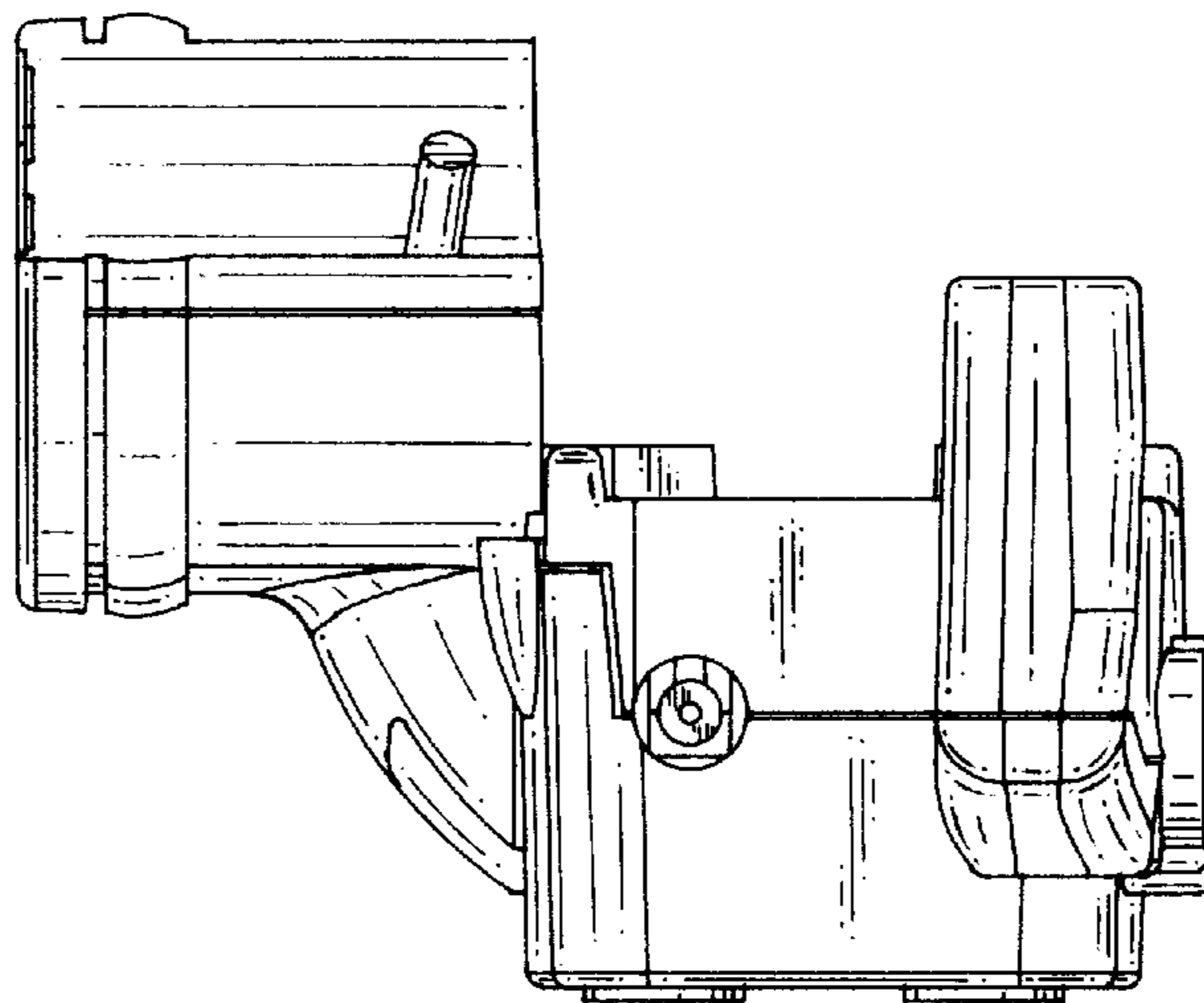


FIG.9

