



US00D432152S

United States Patent [19]
Watanabe

[11] **Patent Number: Des. 432,152**

[45] **Date of Patent: ** Oct. 17, 2000**

[54] **CAMERA**

[75] Inventor: **Akira Watanabe**, Saitama, Japan

[73] Assignee: **Asahi Kogaku Kogyo Kabushiki Kaisha**, Tokyo, Japan

[**] Term: **14 Years**

[21] Appl. No.: **29/117,176**

[22] Filed: **Jan. 20, 2000**

[30] **Foreign Application Priority Data**

Jul. 22, 1999 [JP] Japan 11-19634

[51] **LOC (7) Cl.** **16-01**

[52] **U.S. Cl.** **D16/209**

[58] **Field of Search** D16/200-205,
D16/208, 209, 211, 212, 217, 218; 396/535-541

[56] **References Cited**

U.S. PATENT DOCUMENTS

D. 323,518 1/1992 Ko D16/200

D. 381,350 7/1997 Hamamura D16/209

D. 412,004 7/1999 Hamamura D16/209
D. 412,517 8/1999 Hayamizu D16/209
D. 416,034 11/1999 Hayamizu D16/209
4,990,945 2/1991 Cho et al. 396/84

Primary Examiner—Adir Aronovich
Attorney, Agent, or Firm—Sughrue, Mion, Zinn, Macpeak & Seas, PLLC

[57] **CLAIM**

The ornamental design for a camera, as shown and described.

DESCRIPTION

FIG. 1 is a perspective view of the top, front and left side of a camera showing my new design;
FIG. 2 is a front elevational view thereof;
FIG. 3 is a top plan view thereof;
FIG. 4 is a left side elevational view thereof;
FIG. 5 is a right side elevational view thereof;
FIG. 6 is a rear elevational view thereof;
FIG. 7 is a bottom plan view thereof; and,
FIG. 8 is a view similar to FIG. 1 with the lens in the extended position.

1 Claim, 4 Drawing Sheets

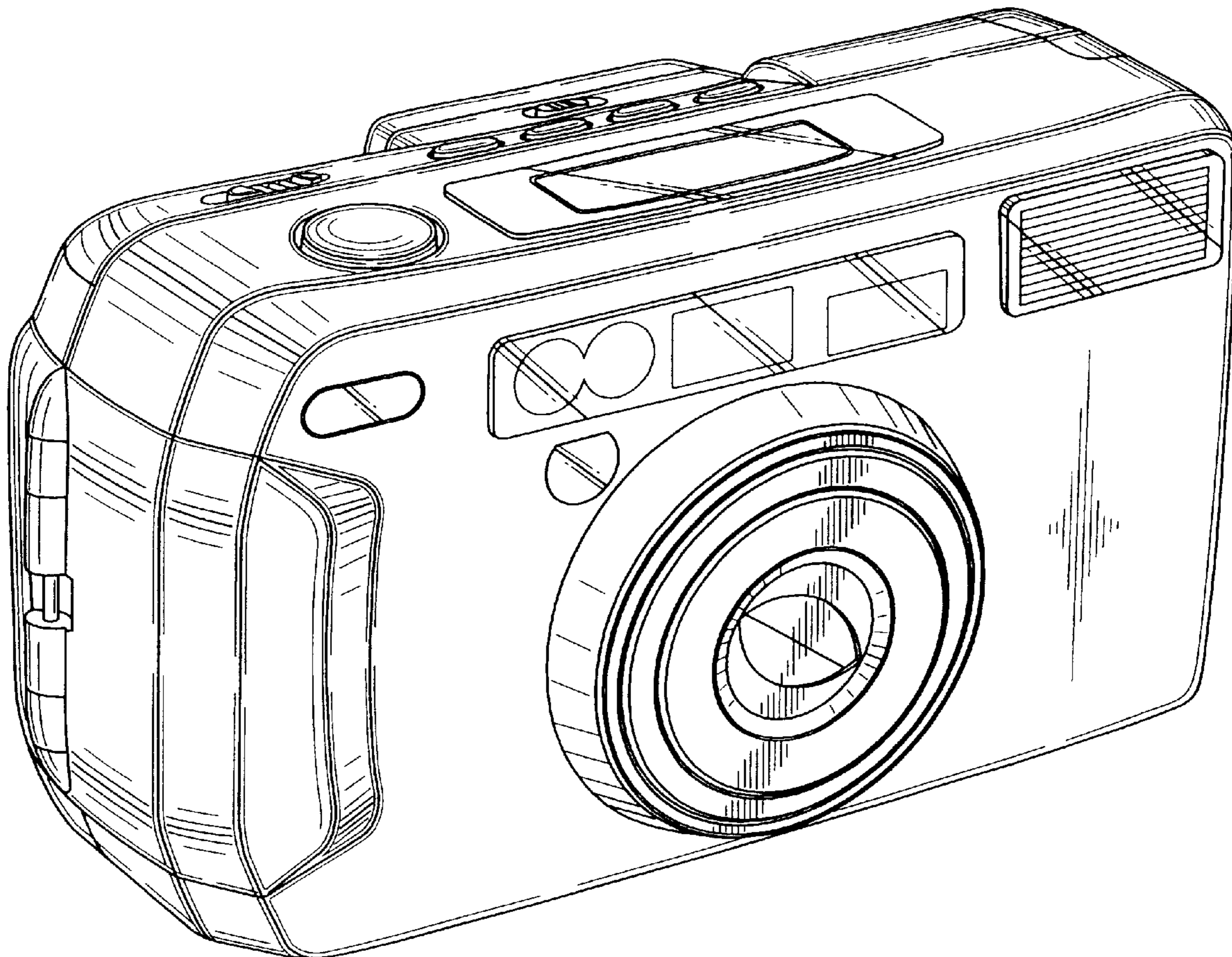


FIG. 1

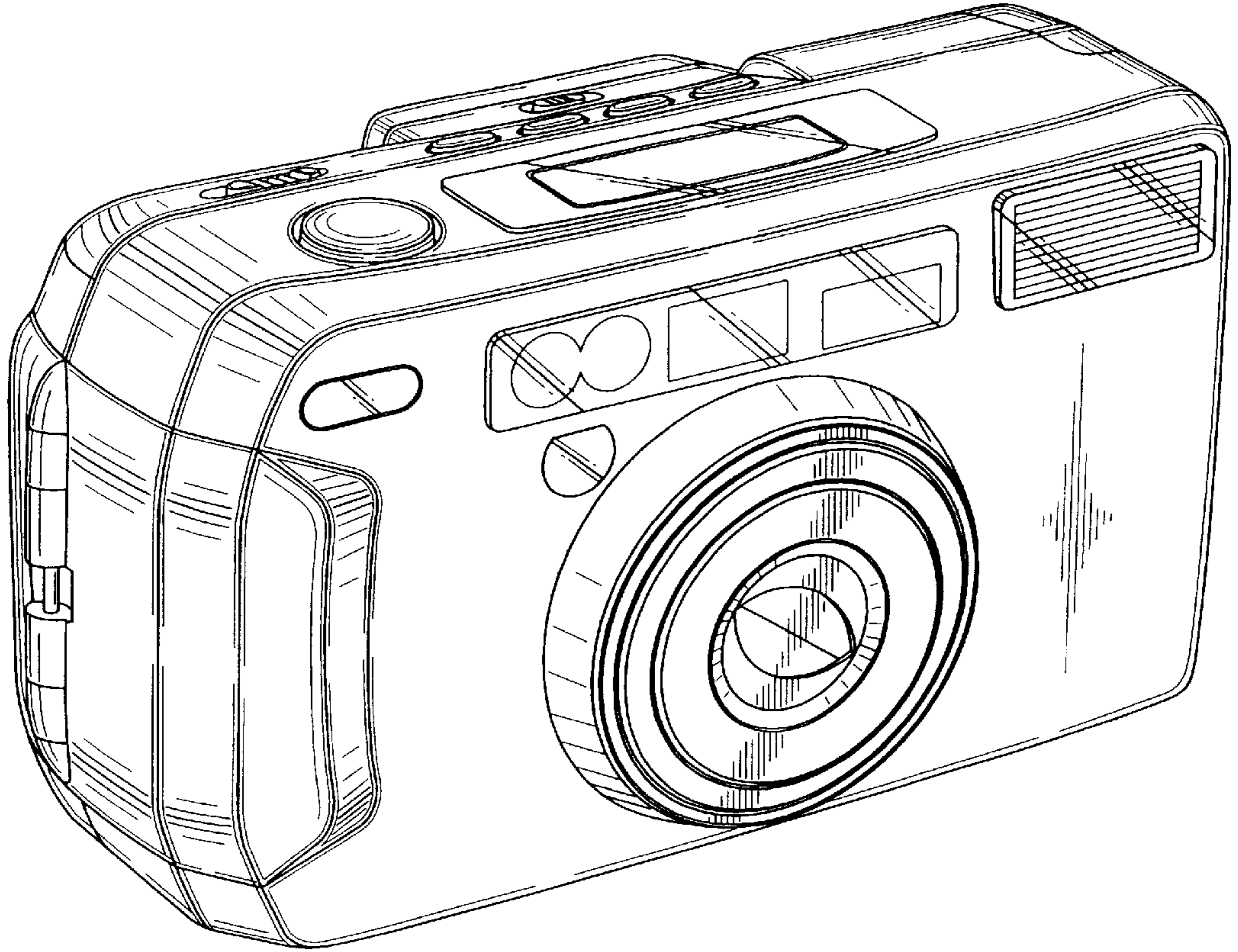


FIG. 2

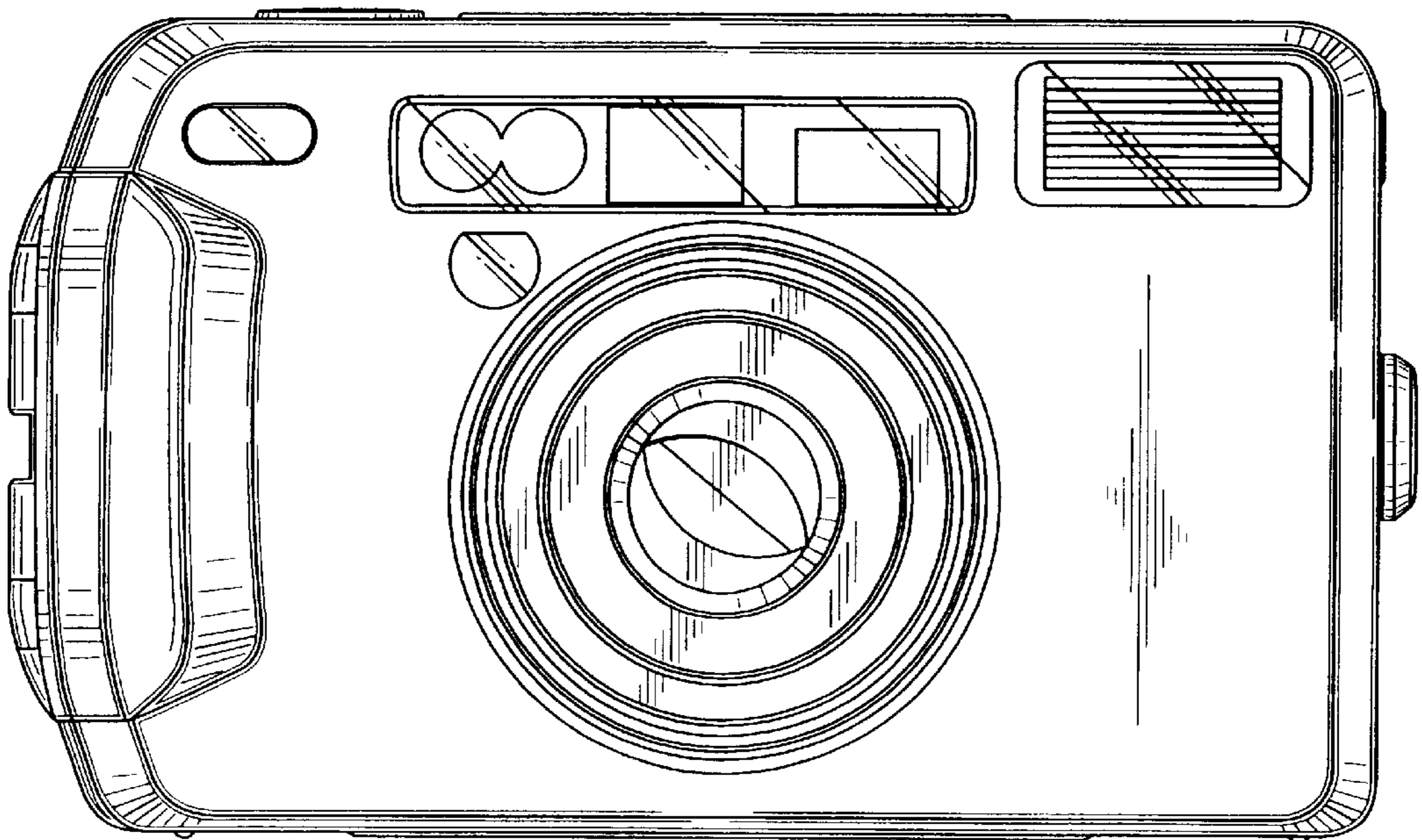


FIG. 3

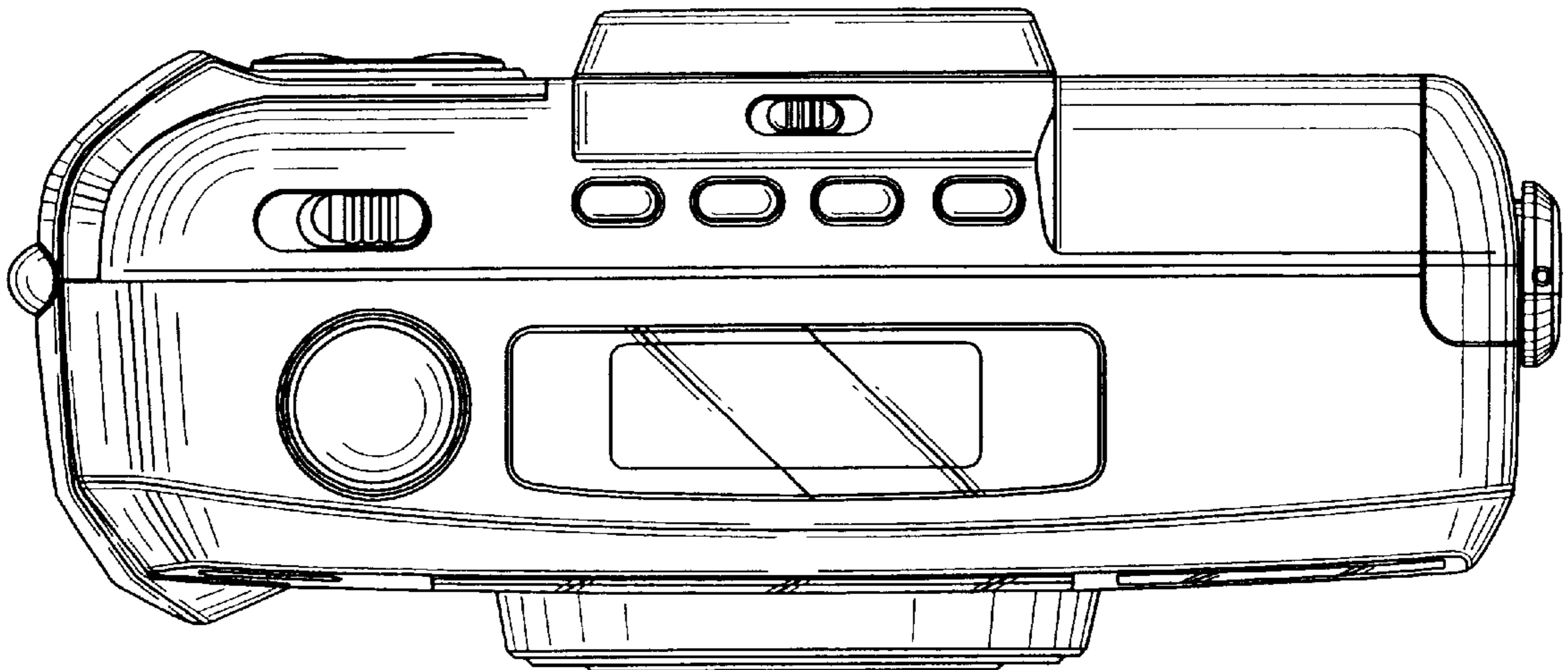


FIG. 4

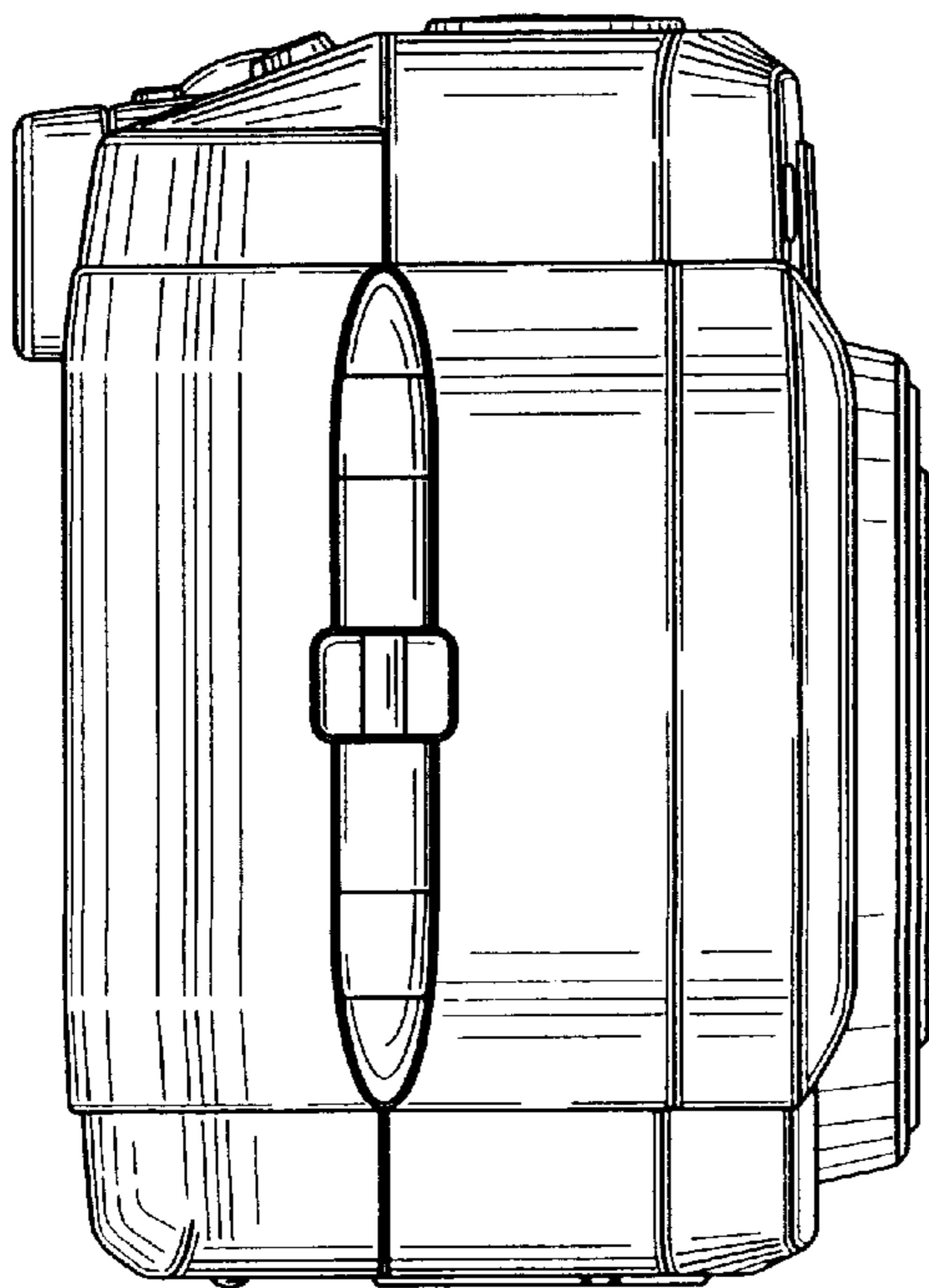


FIG. 5

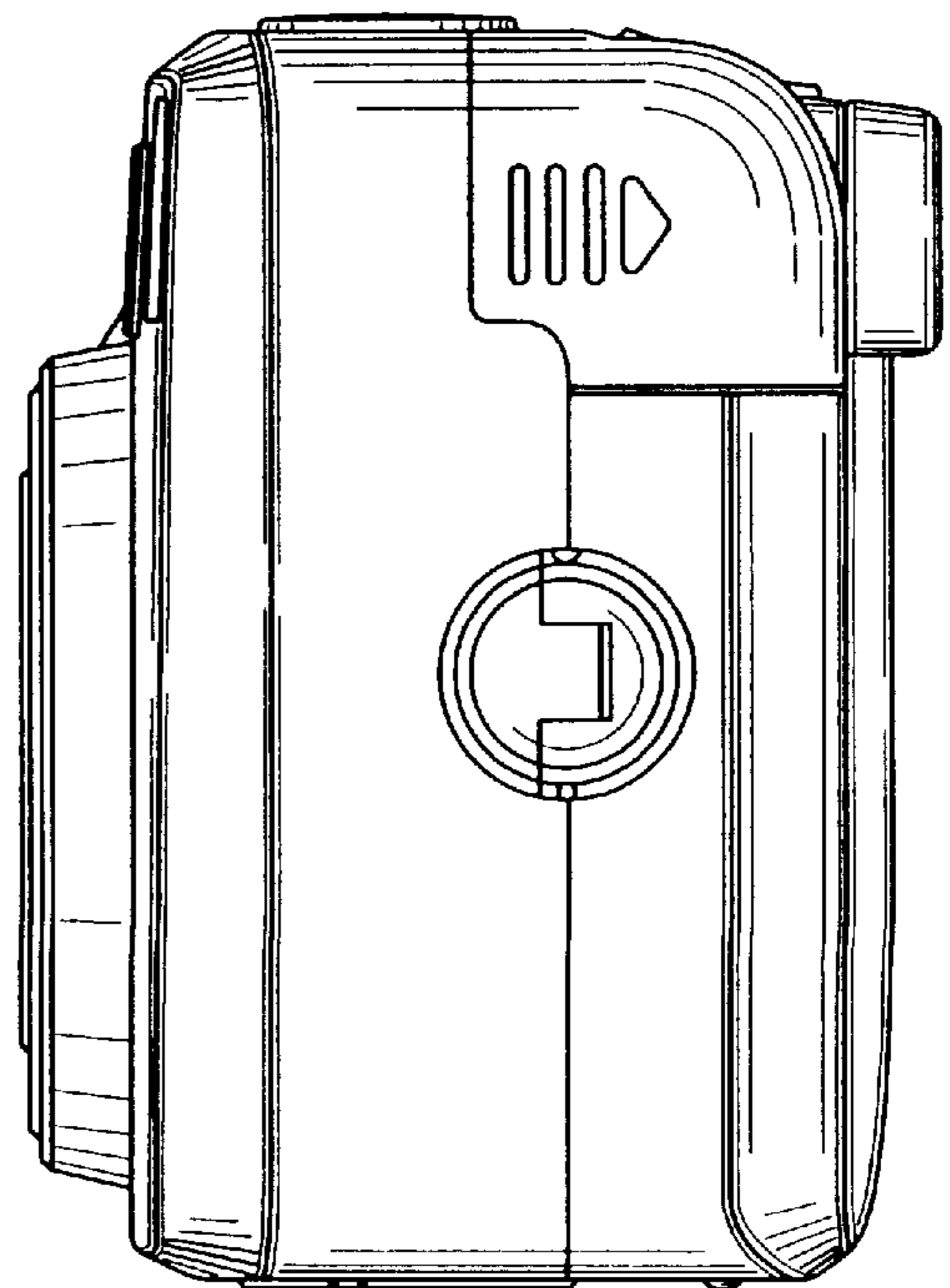


FIG. 6

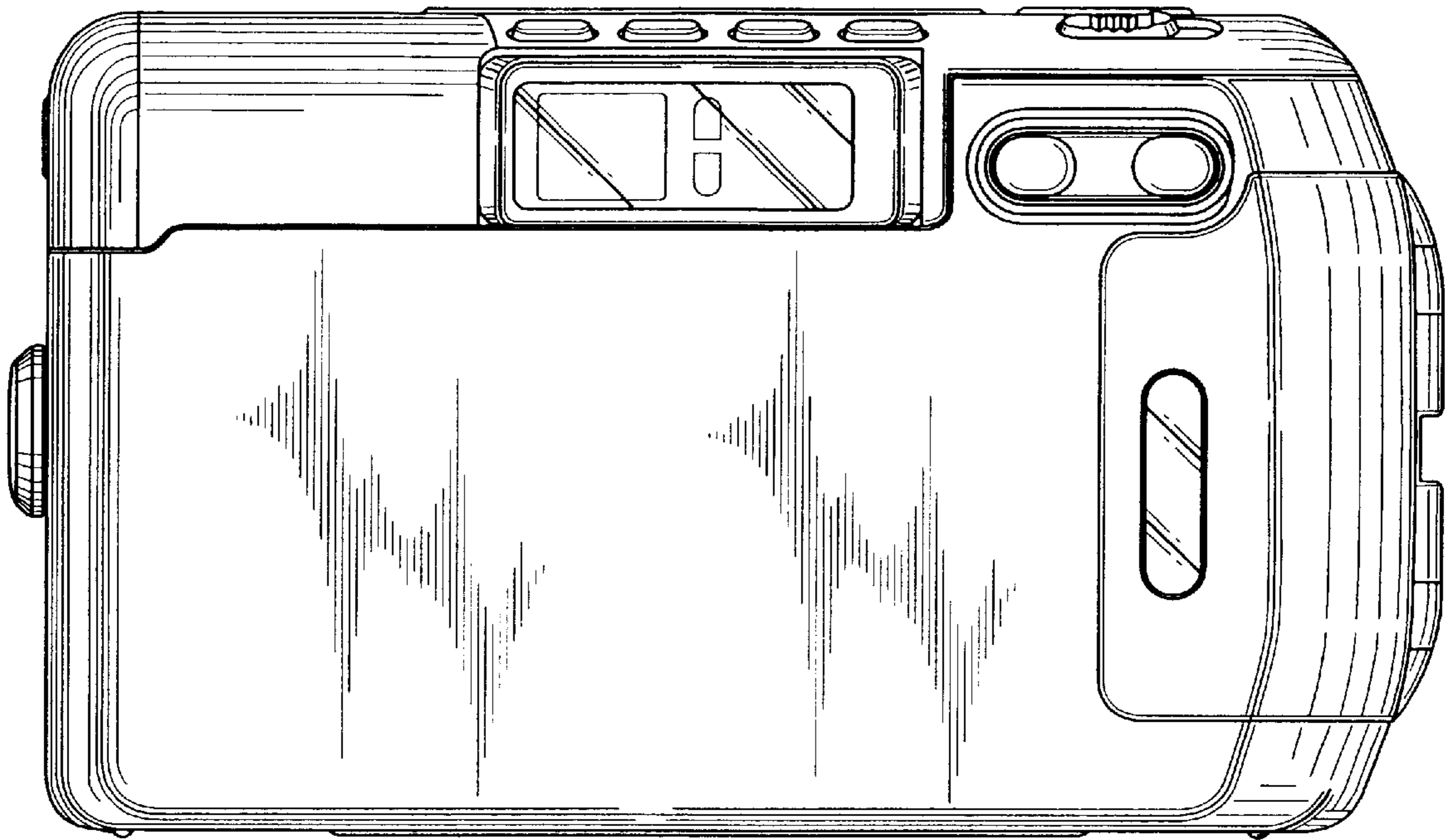


FIG. 7

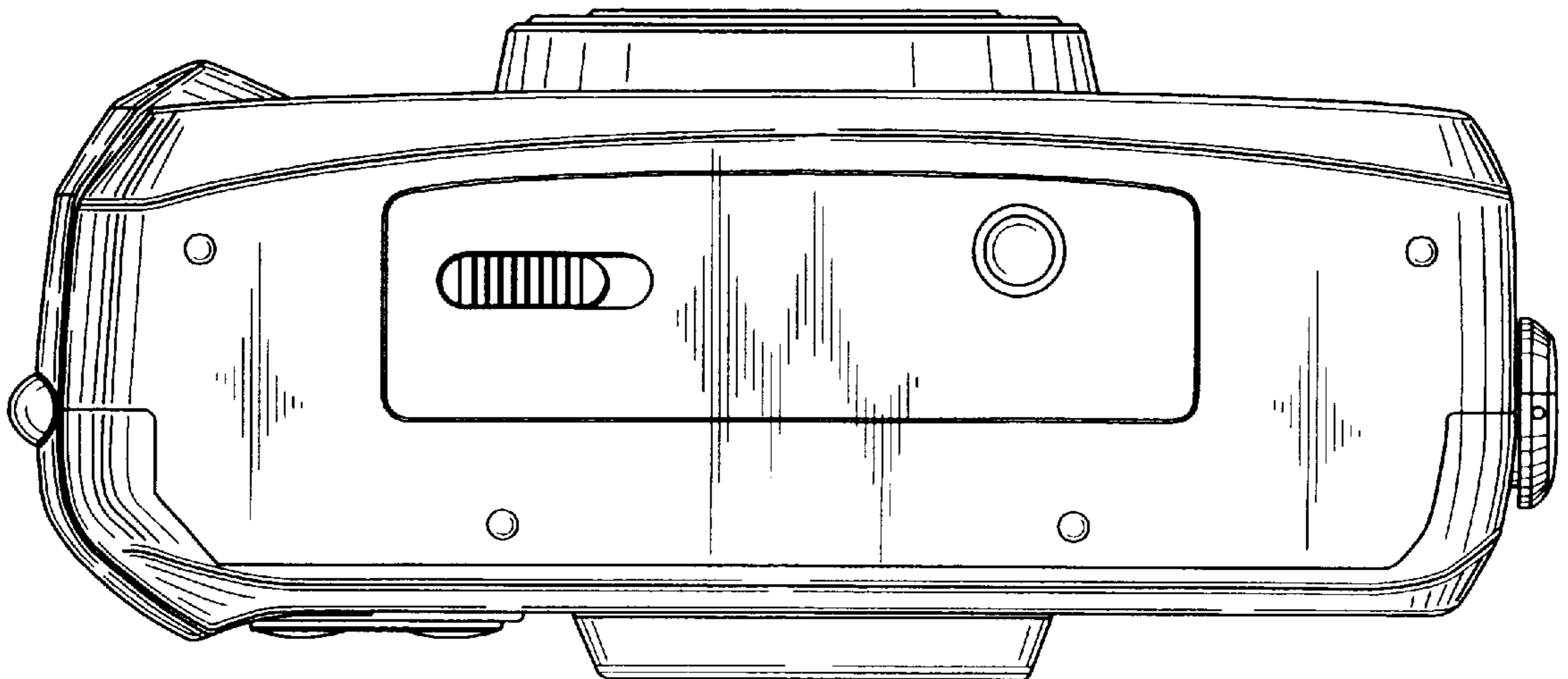


FIG. 8

