

US00D432150S

United States Patent [19]

Senda

[11] Patent Number: **Des. 432,150**

[45] Date of Patent: **** Oct. 17, 2000**

[54] **ELECTRONIC STILL CAMERA**

[75] Inventor: **Yutaka Senda**, Tokyo, Japan

[73] Assignee: **Fuji Photo Film Co., Ltd.**, Kanagawa, Japan

[**] Term: **14 Years**

[21] Appl. No.: **29/108,340**

[22] Filed: **Jul. 27, 1999**

[30] Foreign Application Priority Data

Jan. 27, 1999 [JP] Japan 11-1719

[51] **LOC (7) Cl.** **16-01**

[52] **U.S. Cl.** **D16/202; D16/218**

[58] **Field of Search** D16/200-206,
D16/208, 209, 216-218; 348/373-376;
358/909.1; 396/535-541

[56] References Cited

U.S. PATENT DOCUMENTS

D. 343,847 2/1994 McBride et al. D16/218

D. 360,218	7/1995	Igarashi et al.	D16/209
D. 389,502	1/1998	Lee et al.	D16/209
D. 390,860	2/1998	Kim	D16/217
4,924,248	5/1990	Taniguchi et al.	396/60
4,990,945	2/1991	Cho et al.	396/84

Primary Examiner—Adir Aronovich
Attorney, Agent, or Firm—Young & Thompson

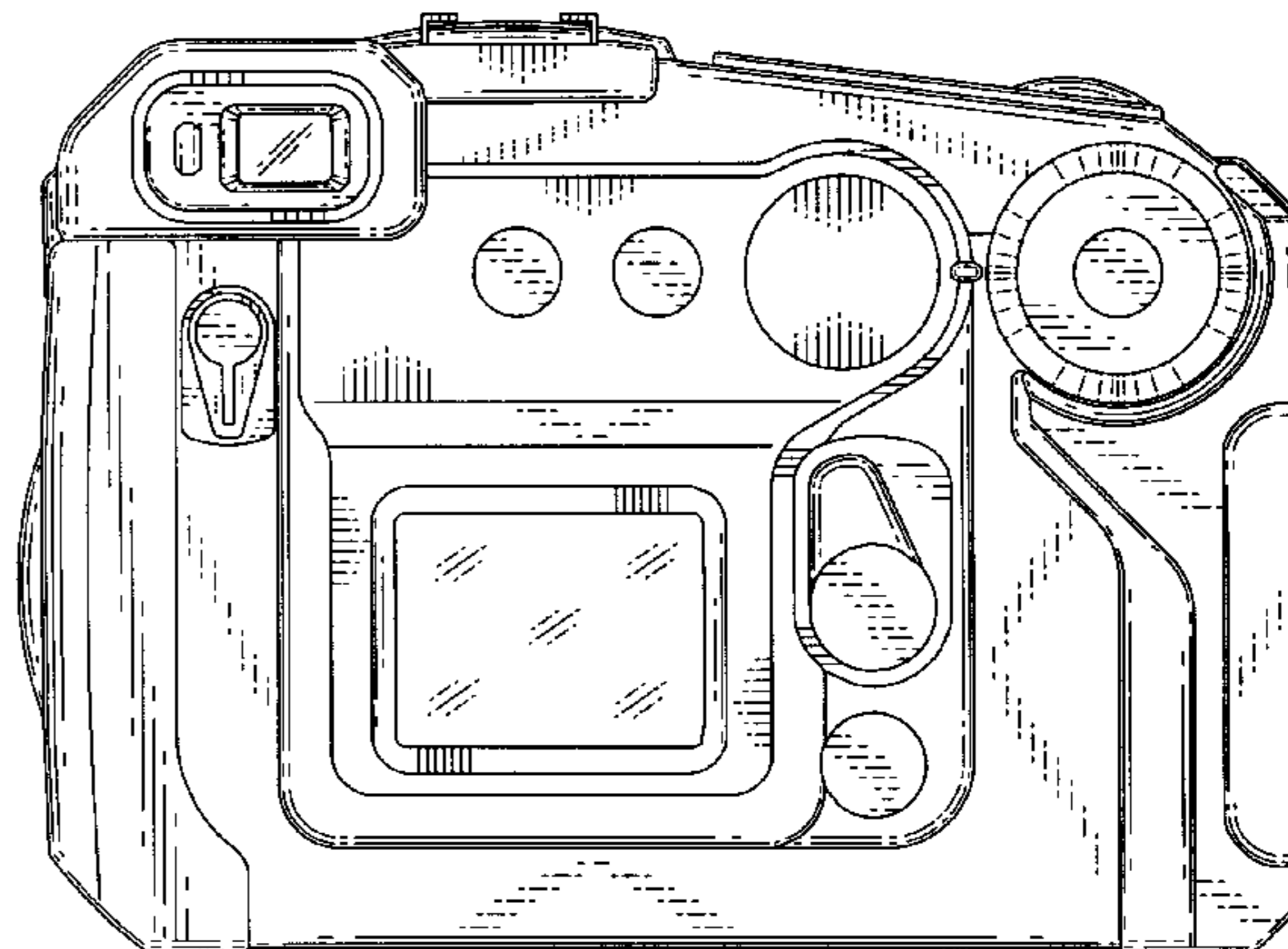
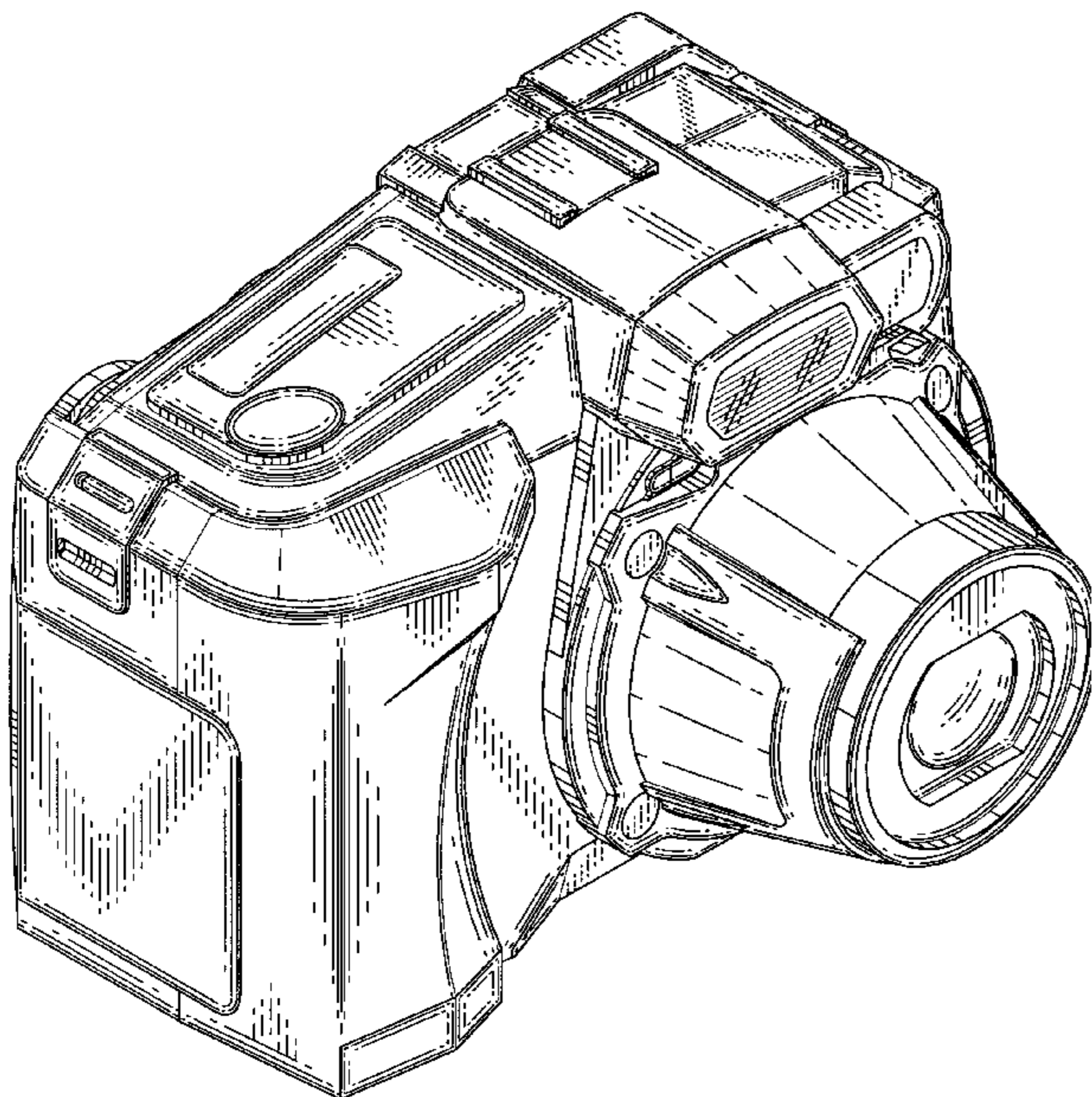
[57] CLAIM

The ornamental design for an electronic still camera, as shown.

DESCRIPTION

FIG. 1 is a top, front and side perspective view of an electronic still camera, showing my new design; FIG. 2 is a front elevational view thereof; FIG. 3 is a rear elevational view thereof; FIG. 4 is a top plan view thereof; FIG. 5 is a bottom plan view thereof; FIG. 6 is a side elevational view thereof from the right of FIG. 2; and, FIG. 7 is a side elevational view thereof from the left of FIG. 2.

1 Claim, 4 Drawing Sheets



F i g . 1

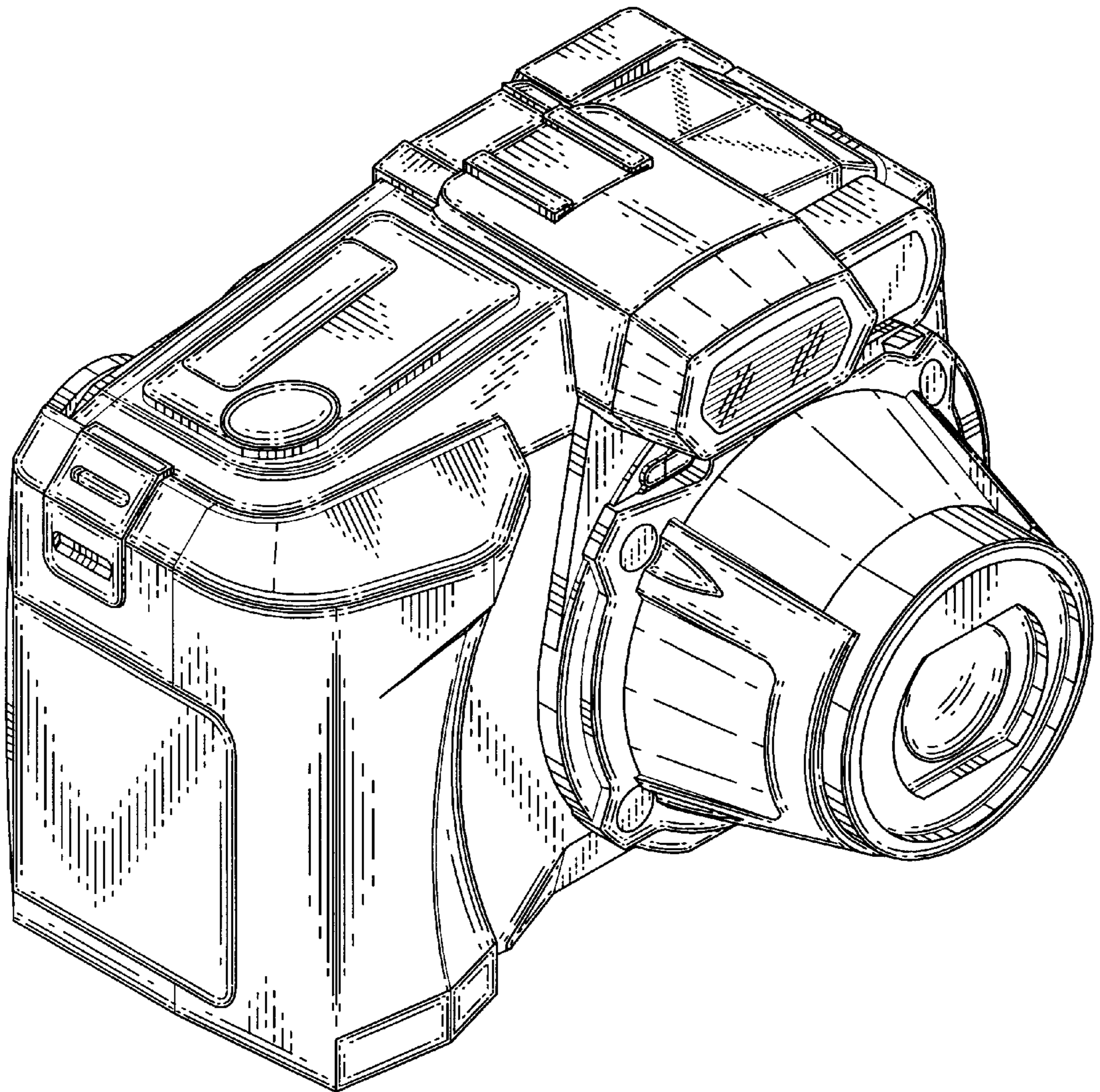


Fig. 2

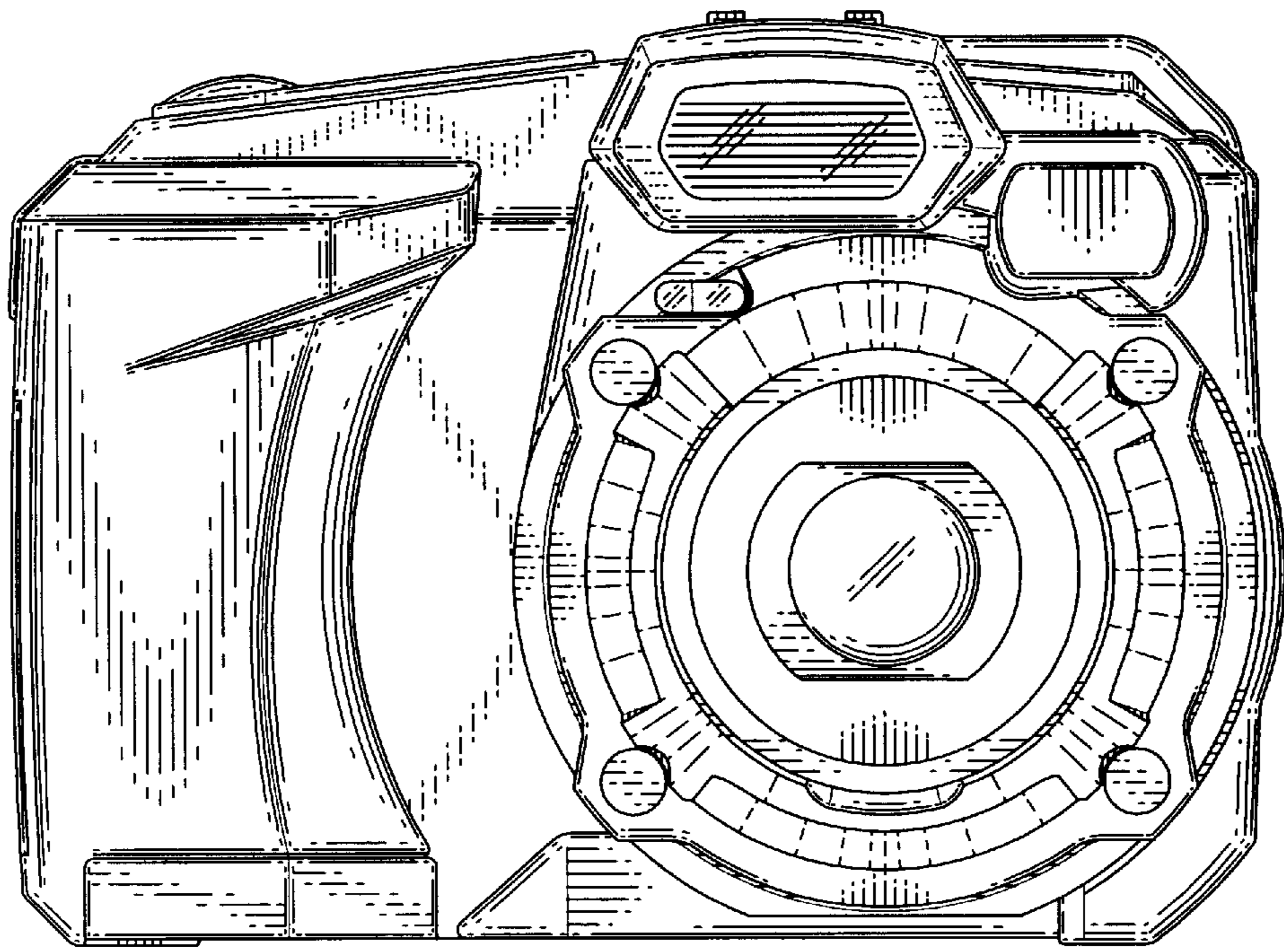


Fig. 3

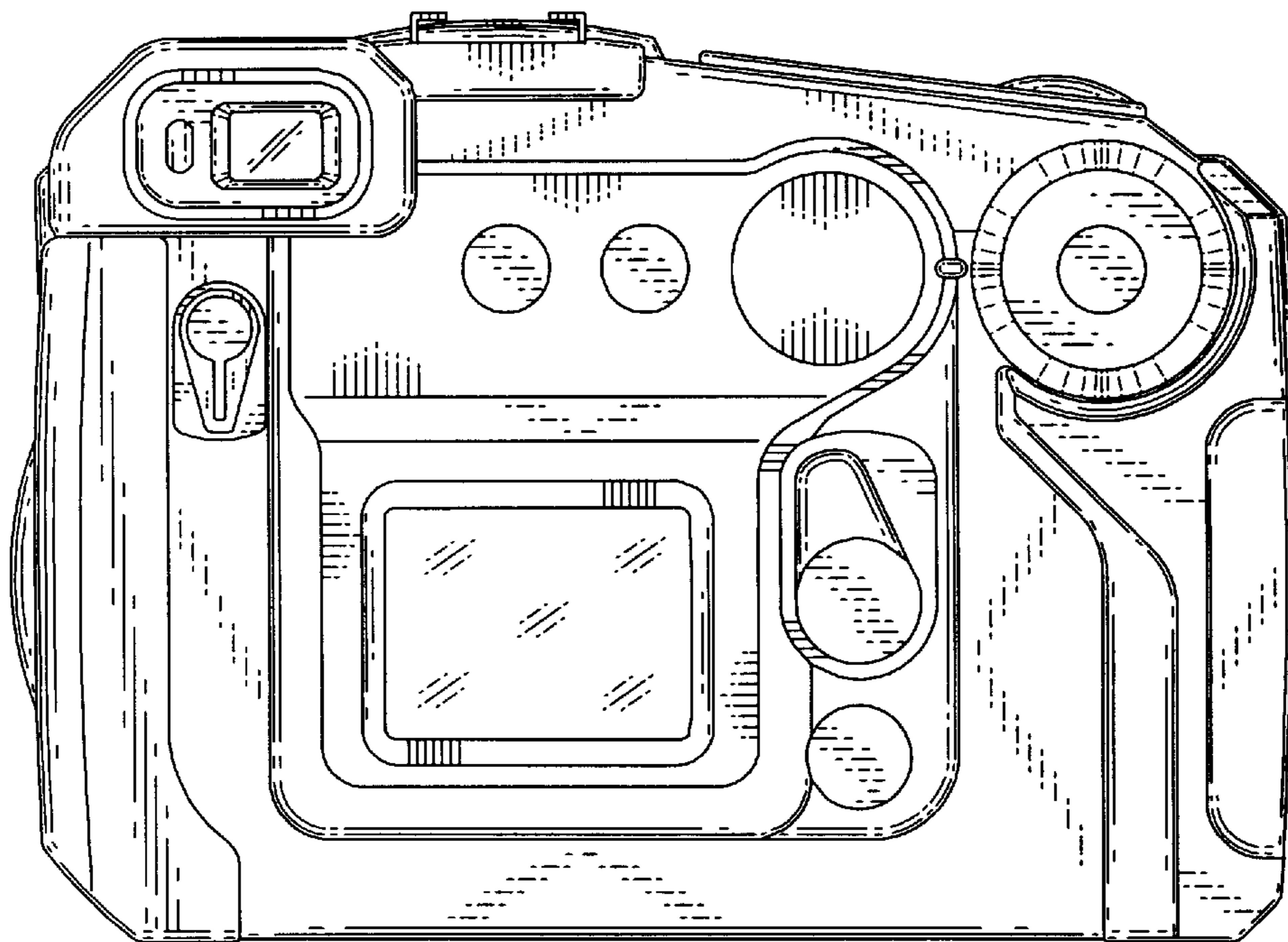


Fig. 4

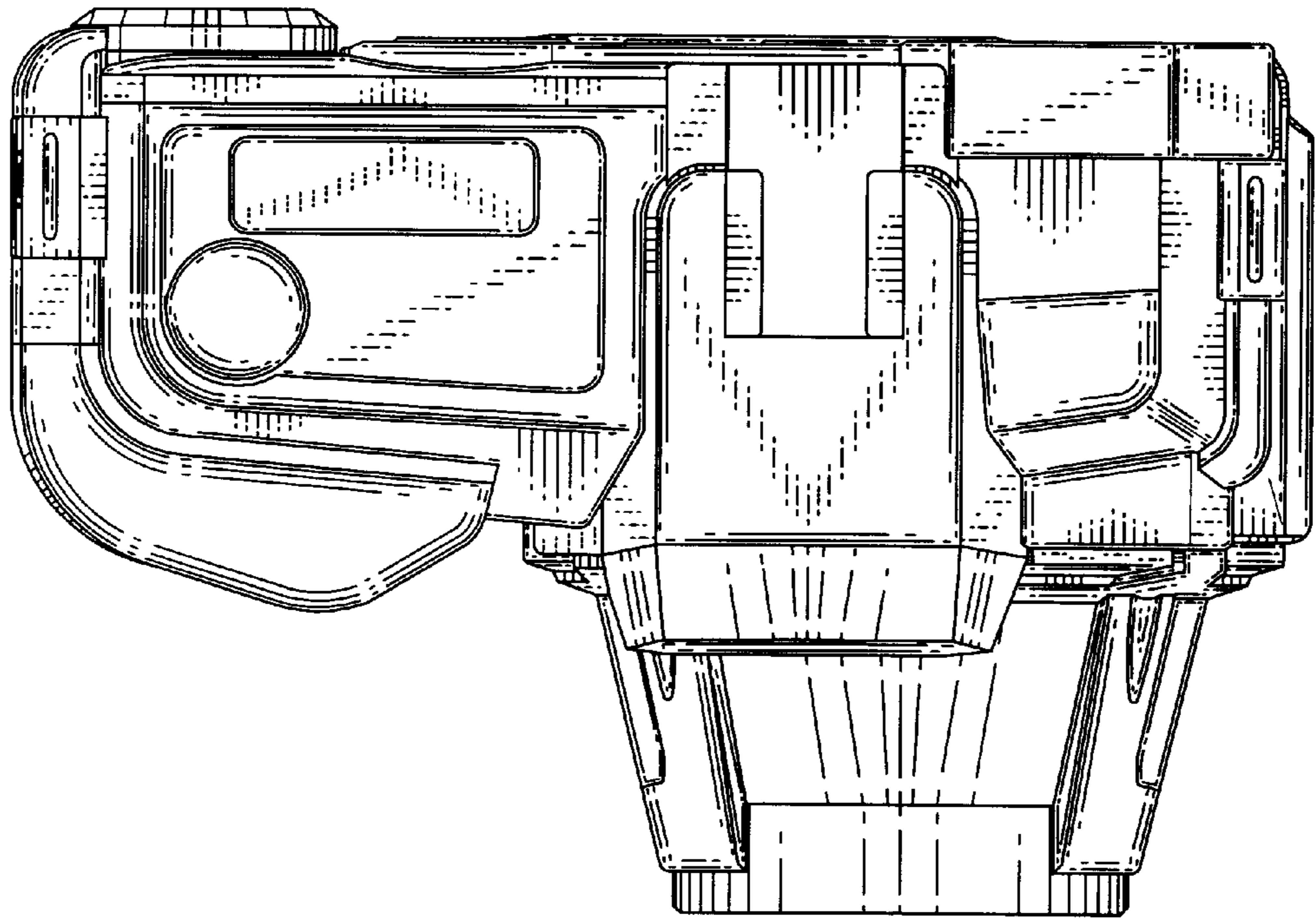


Fig. 5

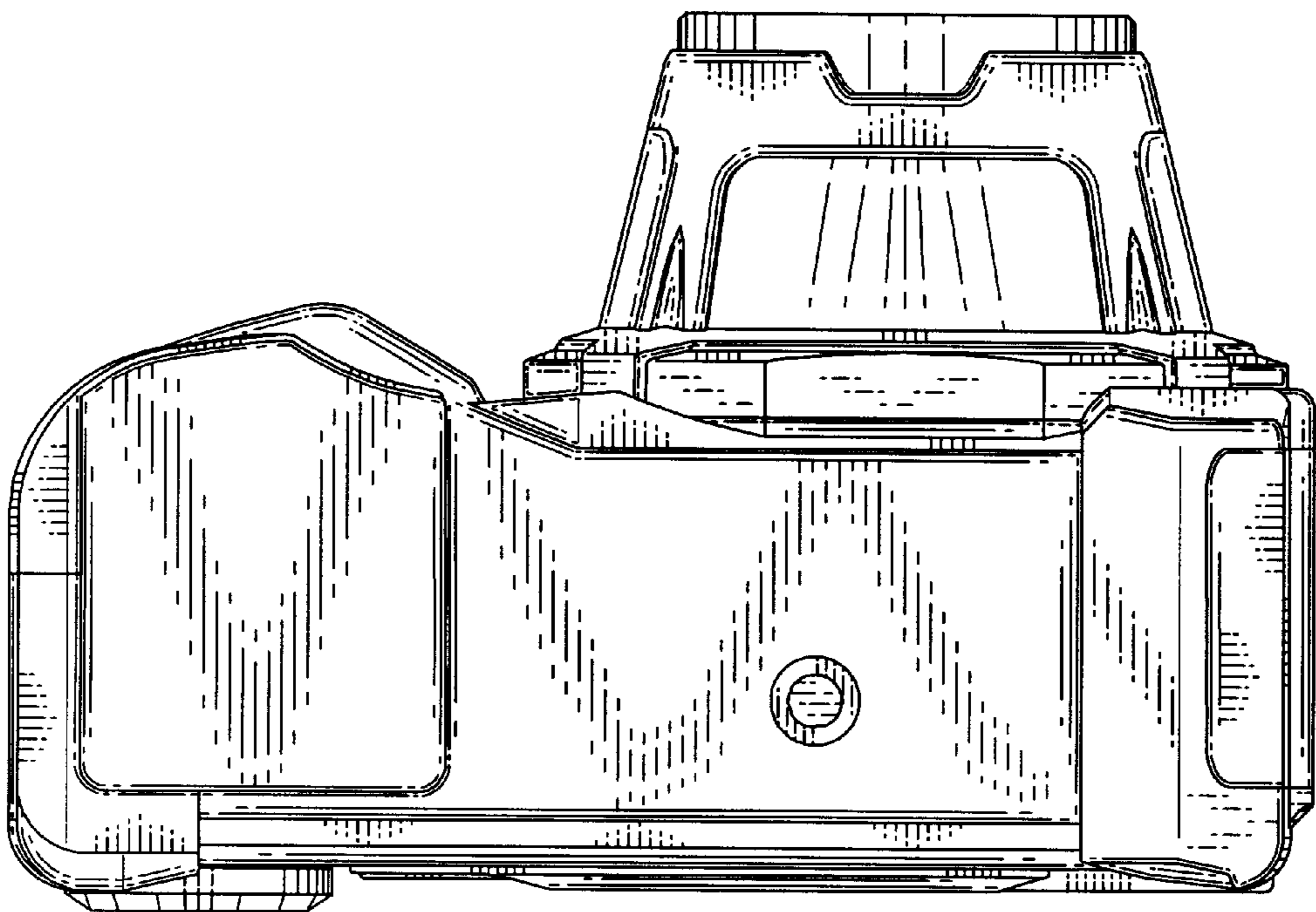


Fig. 6

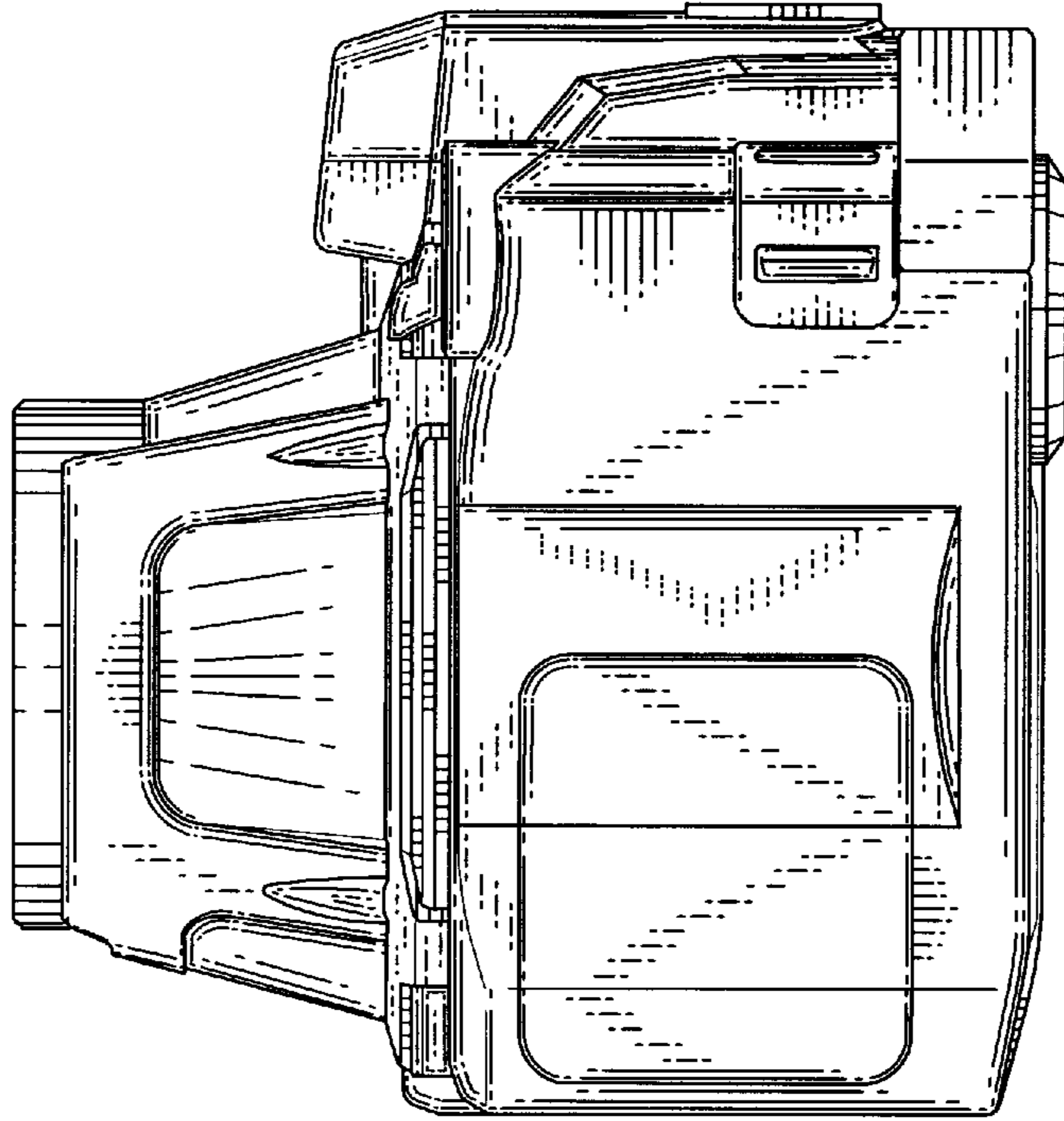


Fig. 7

