



US00D432149S

United States Patent [19] Sumita

[11] Patent Number: Des. 432,149

[45] Date of Patent: ** Oct. 17, 2000

[54] ELECTRONIC STILL CAMERA

4,873,576 10/1989 Hattori 358/224

[75] Inventor: Kaoru Sumita, Tokyo, Japan

OTHER PUBLICATIONS

[73] Assignee: Sony Corporation, Japan

Catalog, "Ciber Short/Digital Still Camera," DSC-F1, Sony (Oct. 1996).

[**] Term: 14 Years

Catalog, No. 87, pp 209 and 210, Sony (Nov. 1997).

[21] Appl. No.: 29/098,361

Catalog, Power Shot 350, Canon (Dec. 1997).

[22] Filed: Dec. 28, 1998

Catalog, No. 88, p. 203, Sony (Mar. 1998).

[51] LOC (7) Cl. 16-01

[52] U.S. Cl. D16/202

[58] Field of Search D16/200-208,
D16/216-218; 348/373-376; 358/906, 909.1;
396/535-541

Catalog, Digital Camera/FinePix 700, Fuji film (Apr. 1998).

Catalog "90", pp. 208 & 209, Sony, (Nov. 1998).

Primary Examiner—Adir Aronovich

Attorney, Agent, or Firm—Rader, Fishman&Grauer

[56] References Cited

U.S. PATENT DOCUMENTS

D. 349,110	7/1994	Ohno	D14/116
D. 355,432	2/1995	Oshima	D16/209
D. 371,377	7/1996	Miyahara	D16/202
D. 384,088	9/1997	Isozaki et al.	D16/202
D. 384,963	10/1997	Sekita	D16/202
D. 387,078	12/1997	Akita	D16/202
D. 391,590	3/1998	Sumita	D16/202
D. 392,659	3/1998	Takano	D16/202
D. 410,478	6/1999	Miyashita	D16/202
D. 410,663	6/1999	Ogasawara	D16/202
D. 411,219	6/1999	Sujmita	D16/219
D. 411,847	7/1999	Miyashita	D16/202
D. 417,683	12/1999	Miyashita	D16/202

[57] CLAIM

The ornamental design for an electronic still camera, as shown and described.

DESCRIPTION

FIG. 1 is a perspective view of an electronic still camera showing my new design;
FIG. 2 is a top plan view thereof;
FIG. 3 is a left side elevational view thereof;
FIG. 4 is a front elevational view thereof;
FIG. 5 is a bottom plan view thereof;
FIG. 6 is a right side elevational view thereof;
FIG. 7 is a rear elevational view thereof; and,
FIG. 8 is another perspective view thereof, wherein the viewer portion is in the turned position.

1 Claim, 5 Drawing Sheets

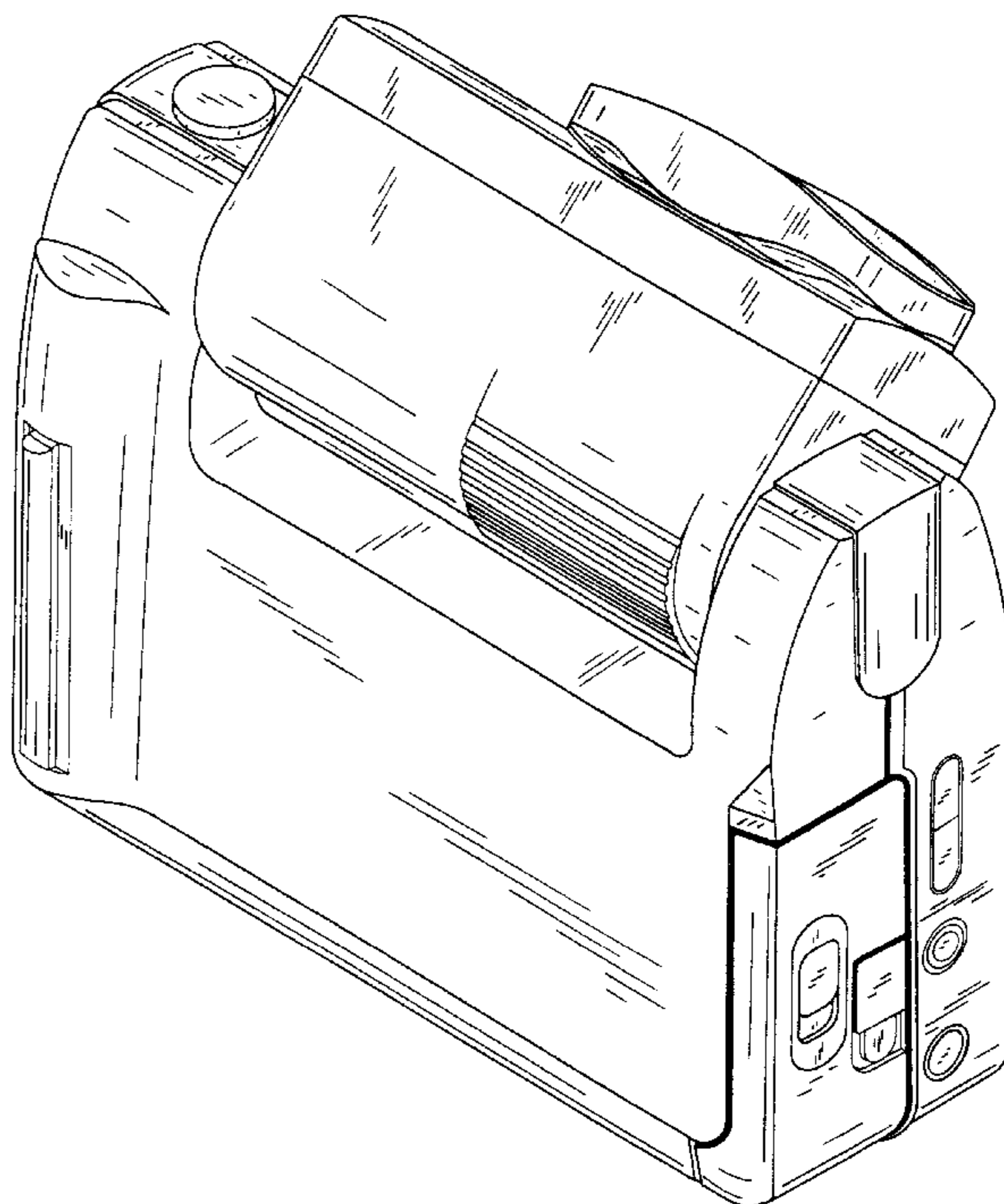
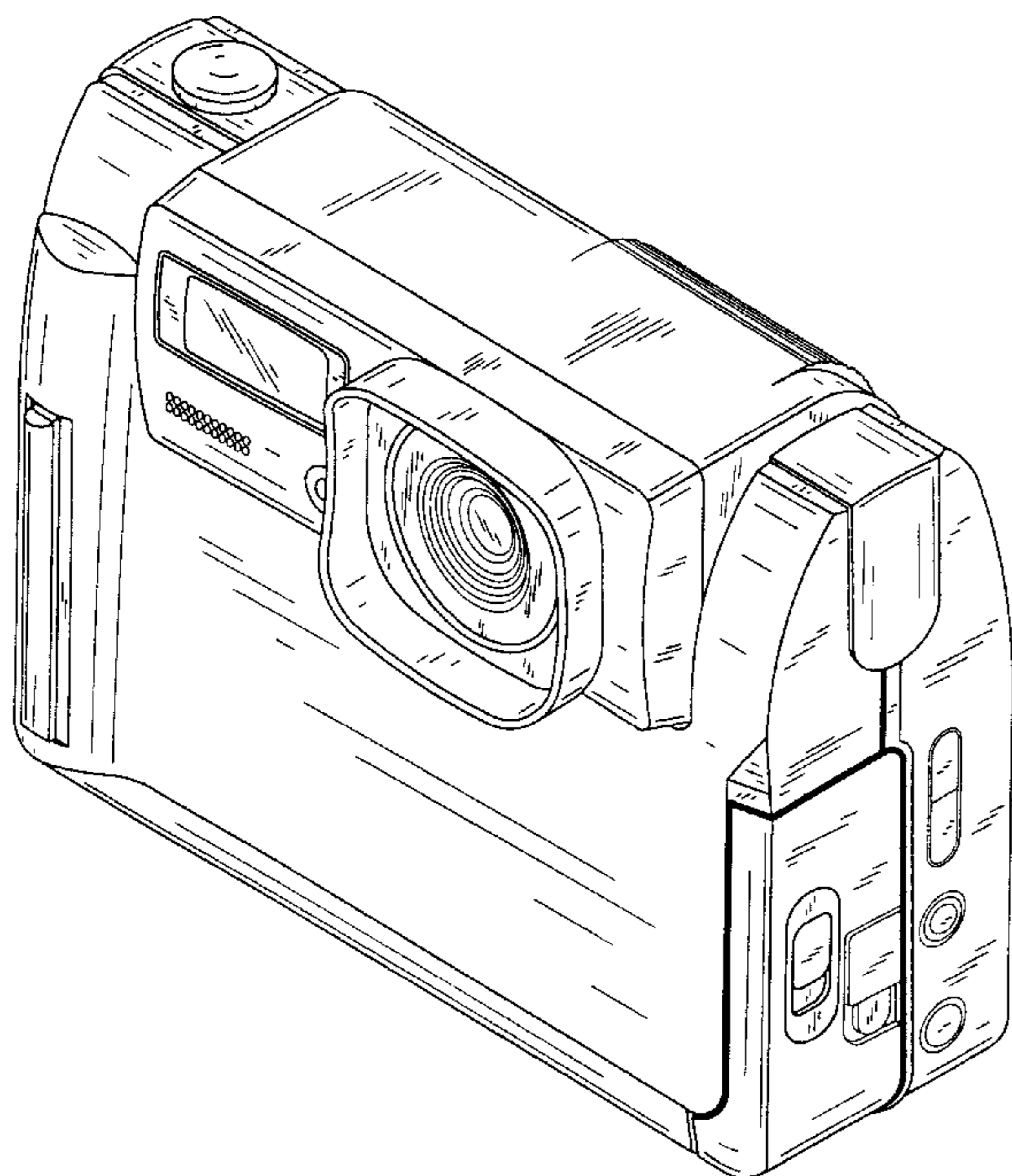


FIG. 1

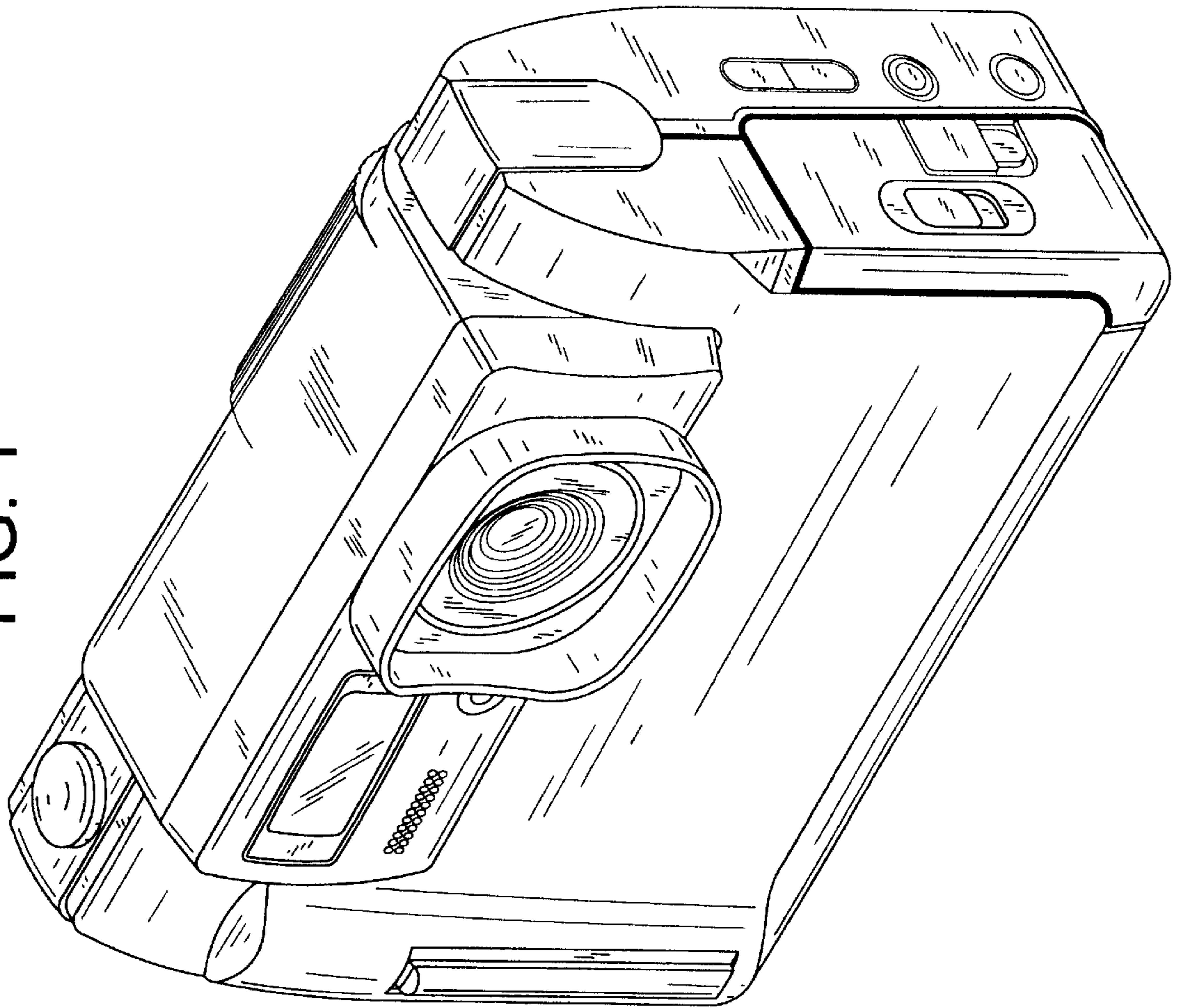


FIG. 2

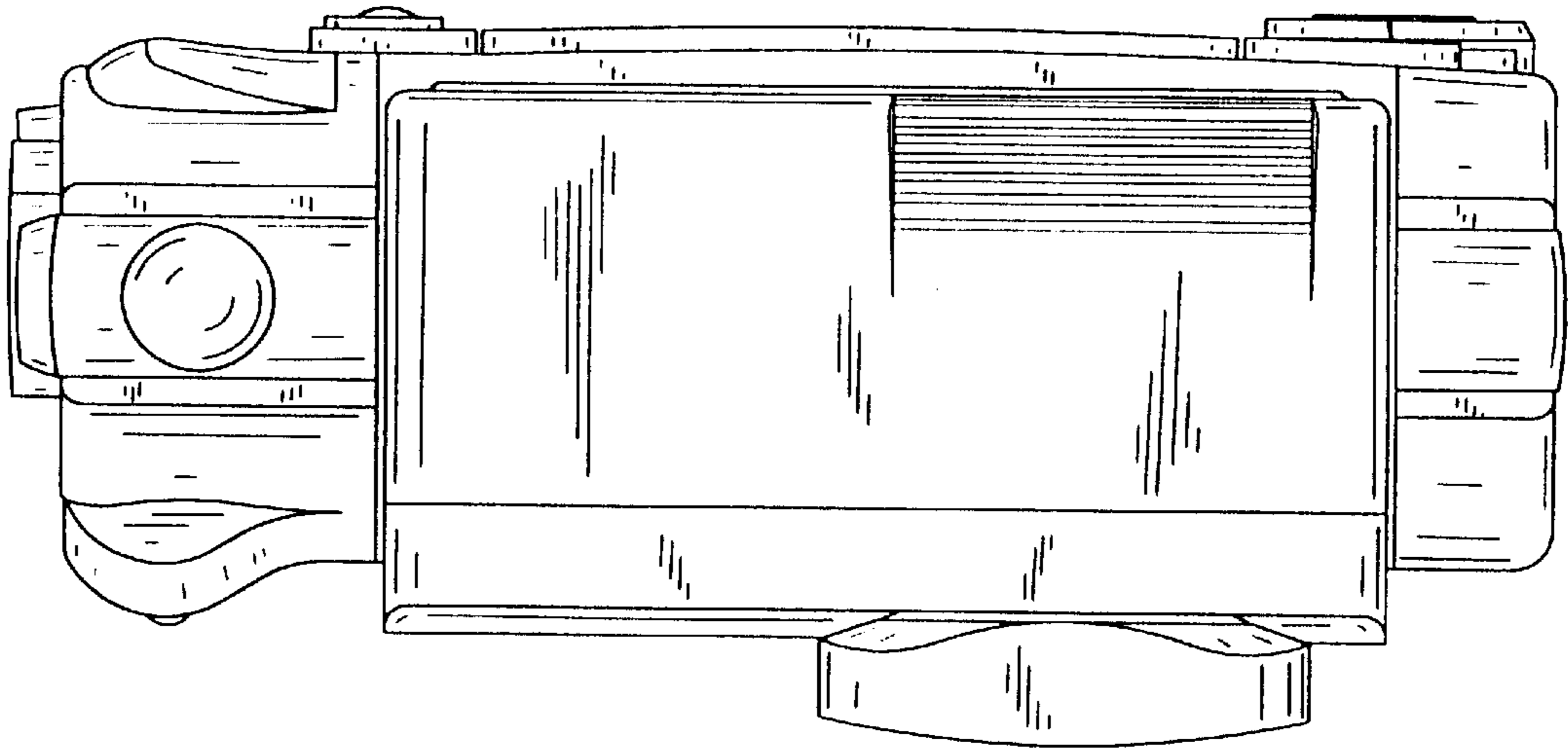


FIG. 3

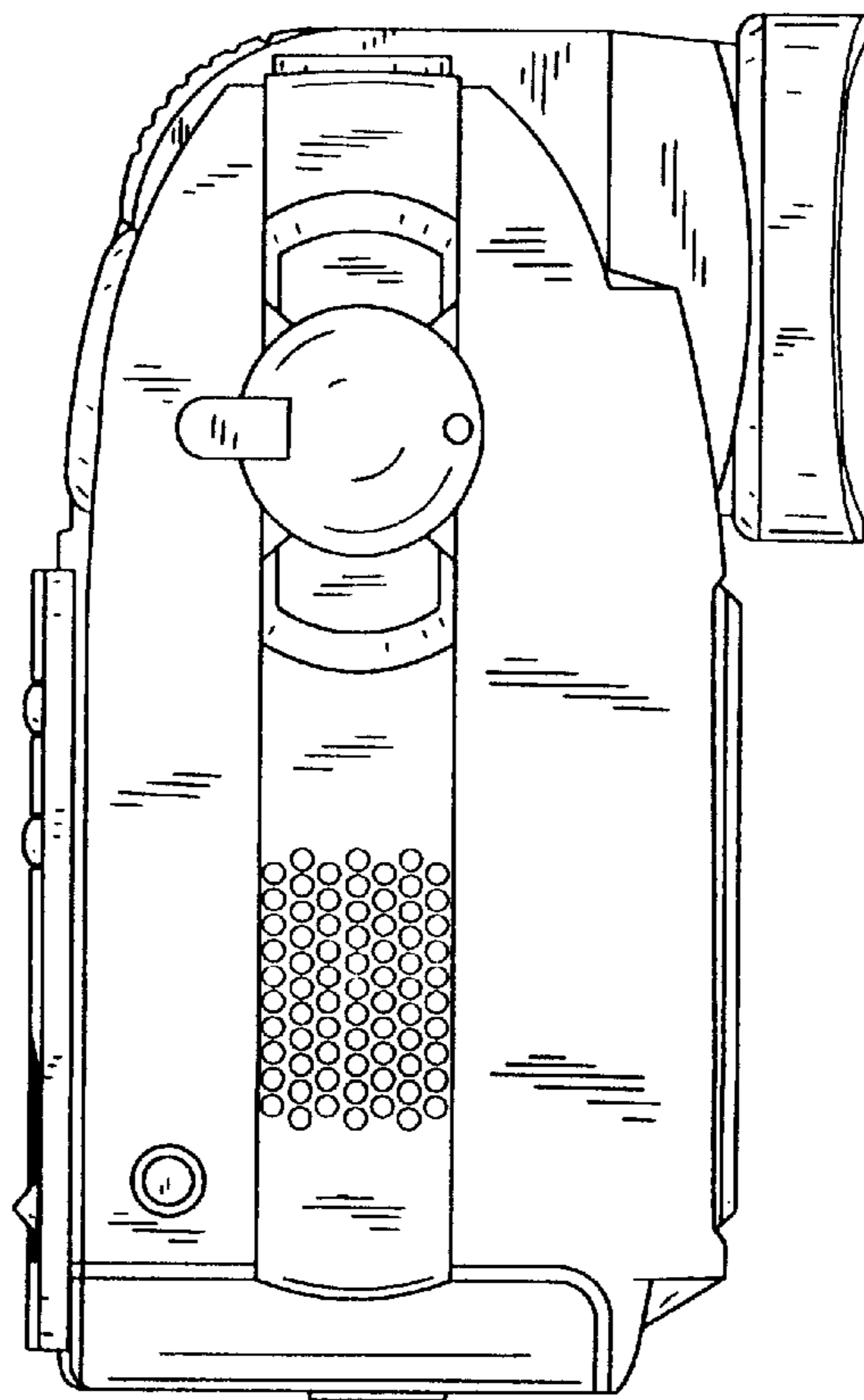


FIG. 4

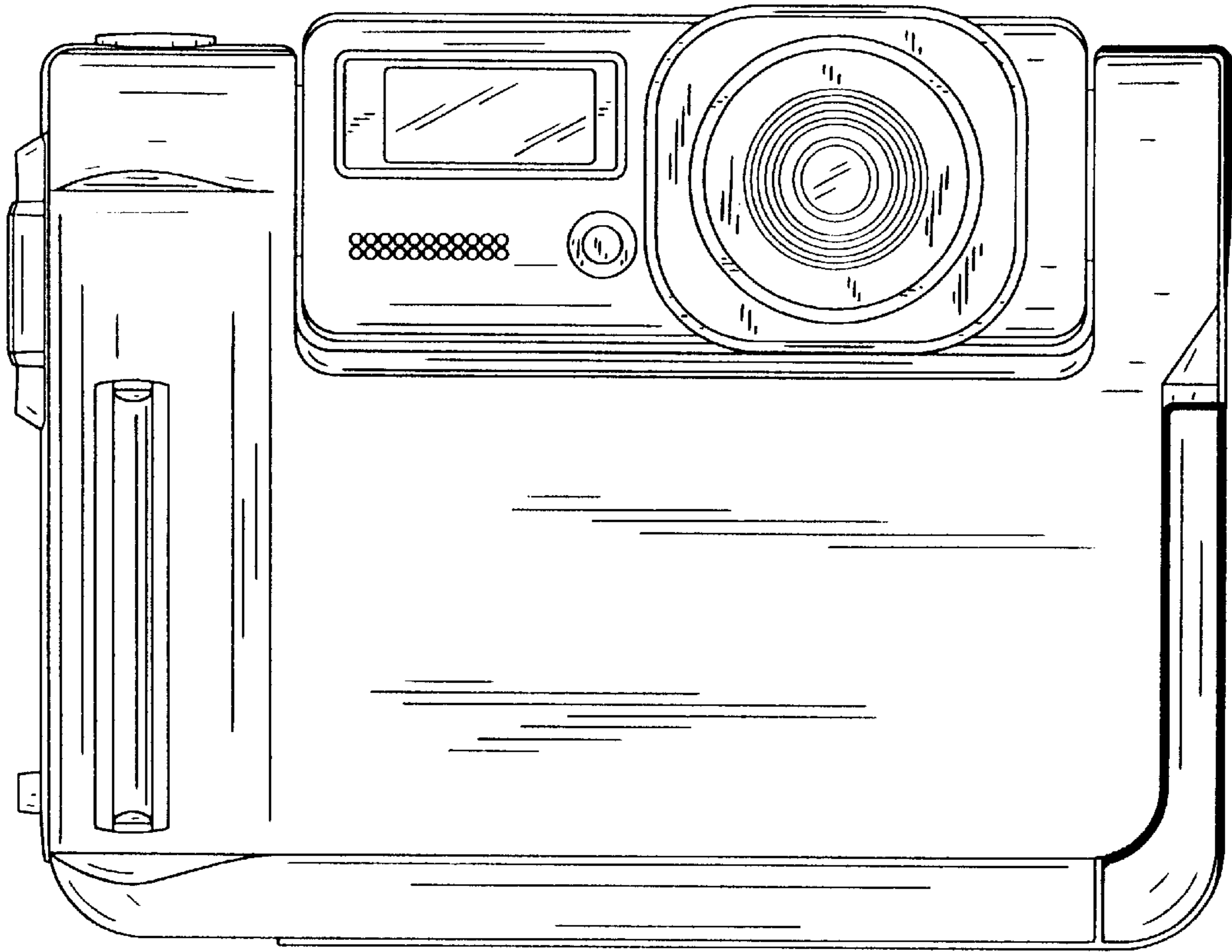


FIG. 5

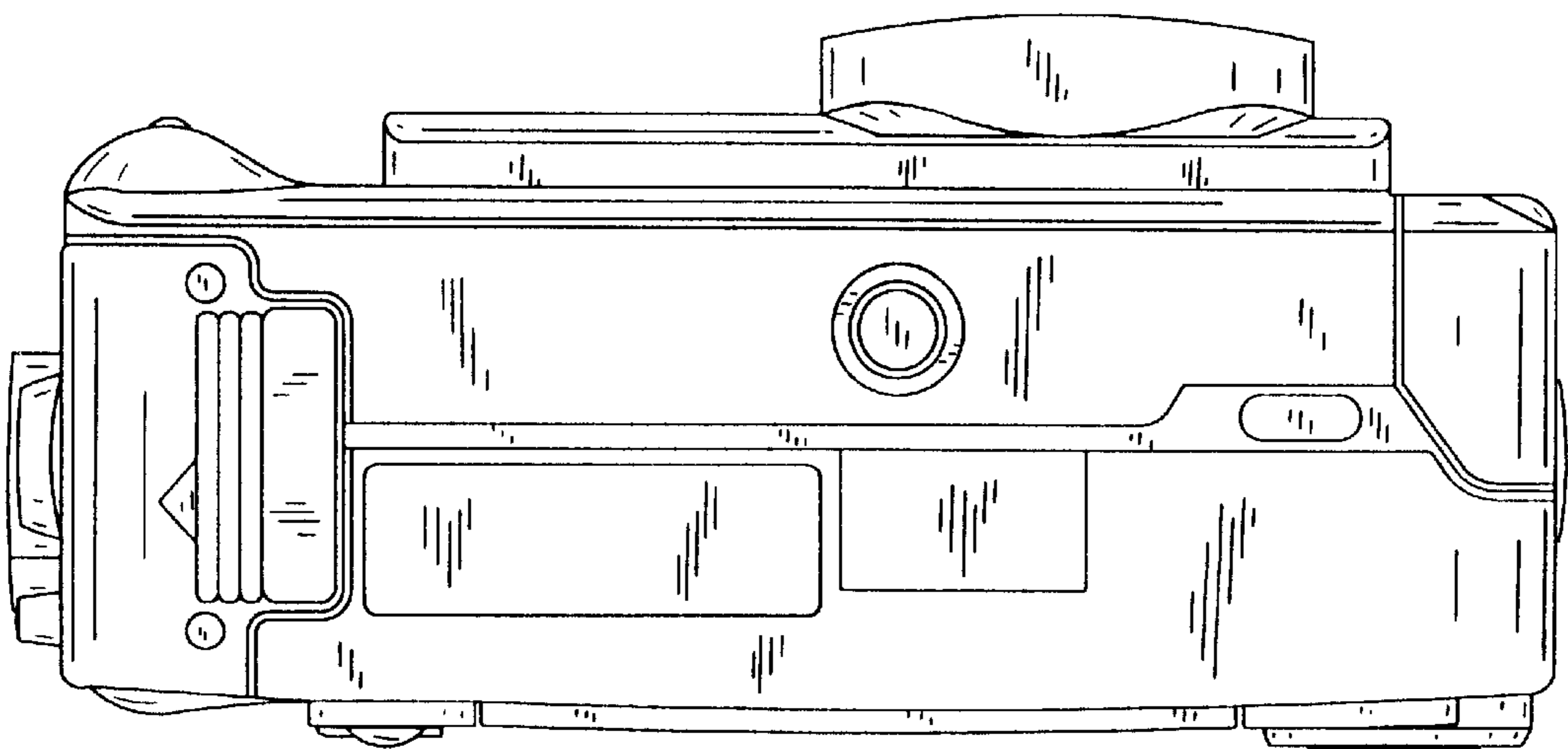


FIG. 7

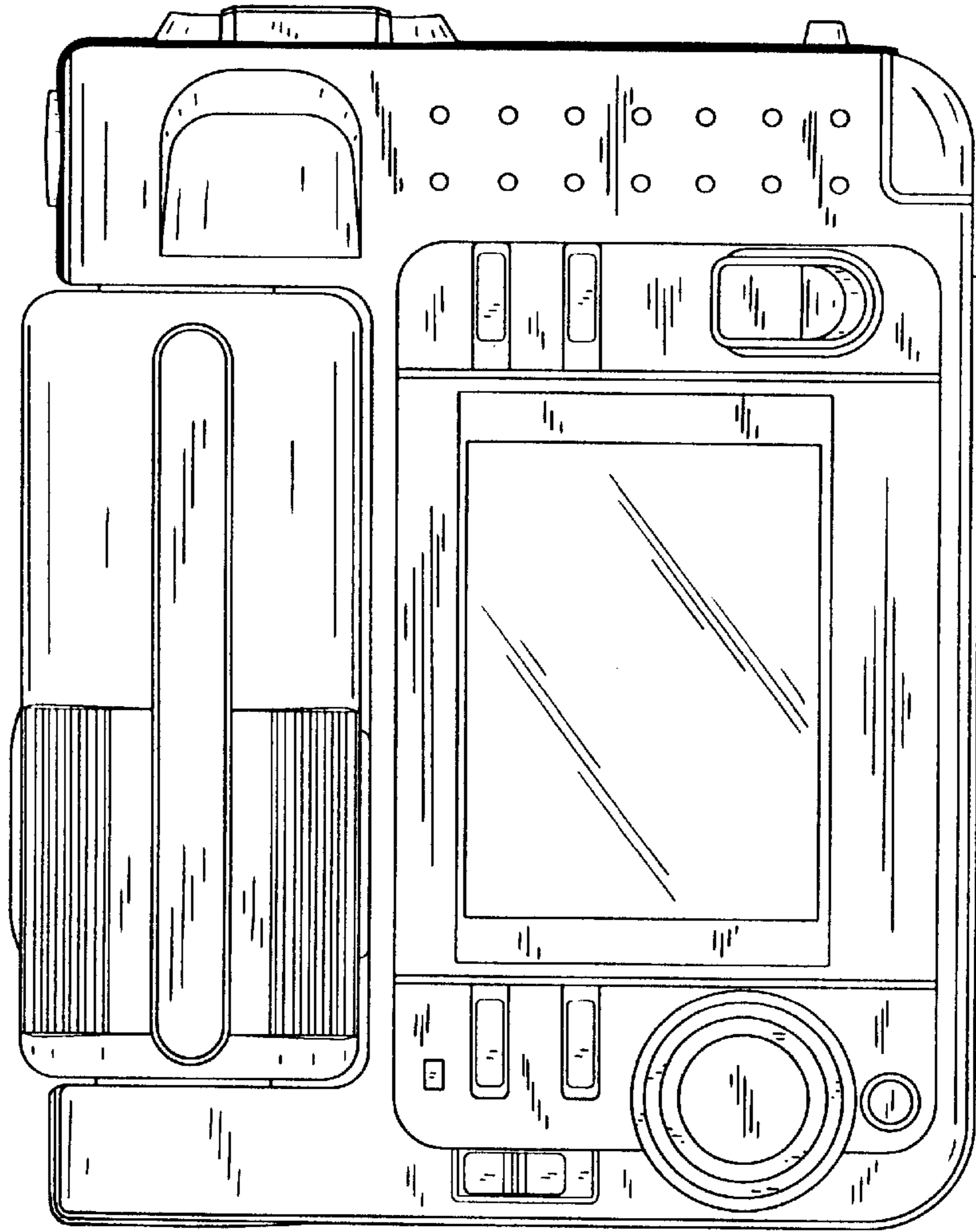


FIG. 6

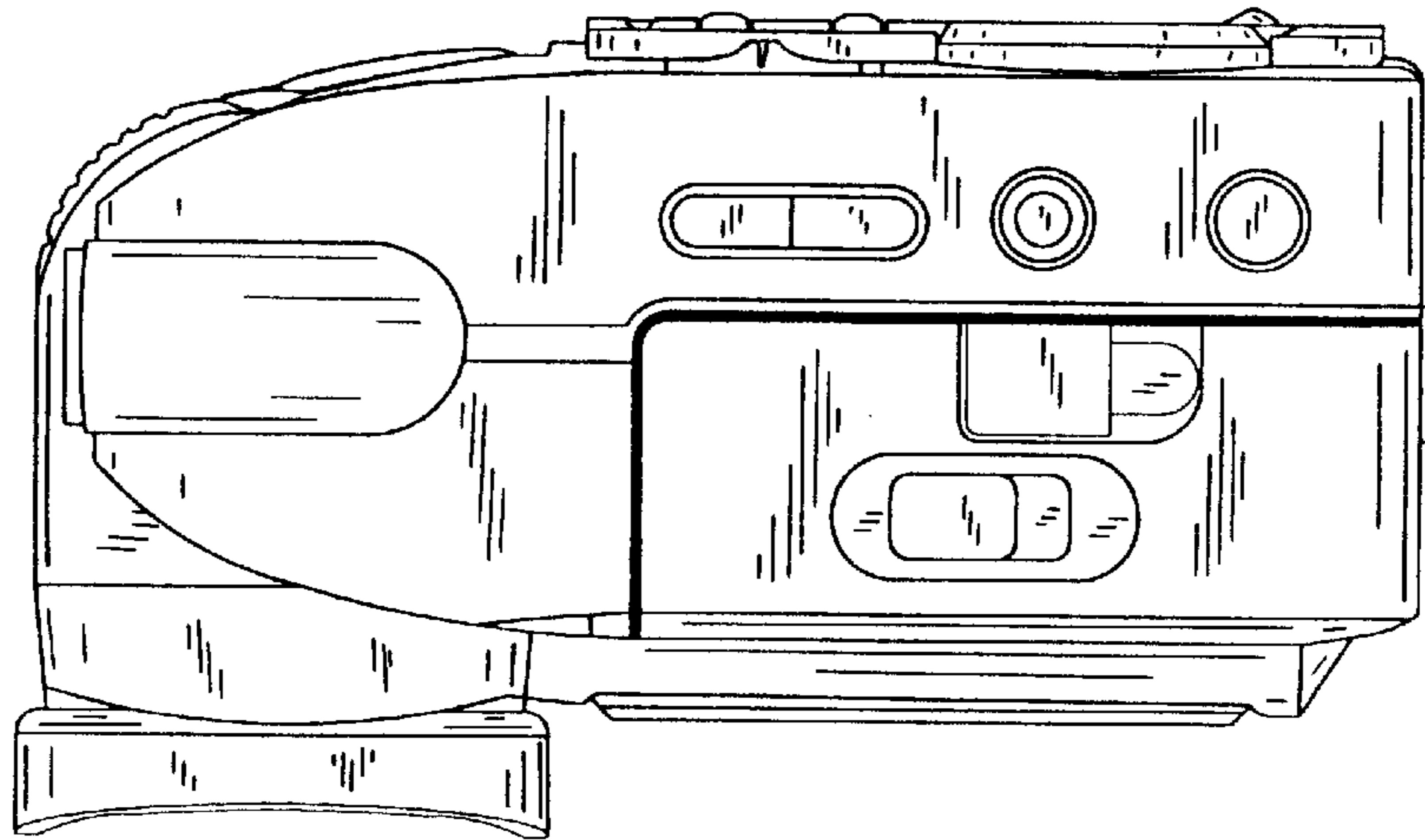


FIG. 8

