



US00D432147S

**United States Patent** [19]  
**Kasperik et al.**

[11] **Patent Number: Des. 432,147**

[45] **Date of Patent: \*\* \*Oct. 17, 2000**

[54] **CUTTING TOOL INSERT**

[75] Inventors: **James R. Kasperik**, Latrobe; **Kenneth L. Niebauer**, Ligonier, both of Pa.

[73] Assignee: **Kennametal Inc.**, Latrobe, Pa.

[\*] Notice: This patent is subject to a terminal disclaimer.

[\*\*] Term: **14 Years**

[21] Appl. No.: **29/107,955**

[22] Filed: **Jul. 15, 1999**

[51] **LOC (7) Cl.** ..... **15-09**

[52] **U.S. Cl.** ..... **D15/139**

[58] **Field of Search** ..... **D15/139; 407/113-117**

[56] **References Cited**

**U.S. PATENT DOCUMENTS**

|            |        |                        |         |
|------------|--------|------------------------|---------|
| D. 413,612 | 9/1999 | Hartlohner et al. .... | D15/139 |
| D. 414,502 | 9/1999 | Kasperik et al. ....   | D15/139 |
| 5,738,468  | 4/1998 | Boianjiu ....          | 407/103 |

*Primary Examiner*—Antoine Duval Davis  
*Attorney, Agent, or Firm*—Larry R. Meenan

[57] **CLAIM**

The ornamental design for a cutting tool insert, as shown and described.

**DESCRIPTION**

FIG. 1 is an isometric view of a cutting tool insert in accordance with a first embodiment of the subject invention; FIG. 2 is a top plan view of FIG. 1, wherein the bottom plan view is identical;

FIG. 3 is a side elevation view taken along lines “3—3” in FIG. 2;

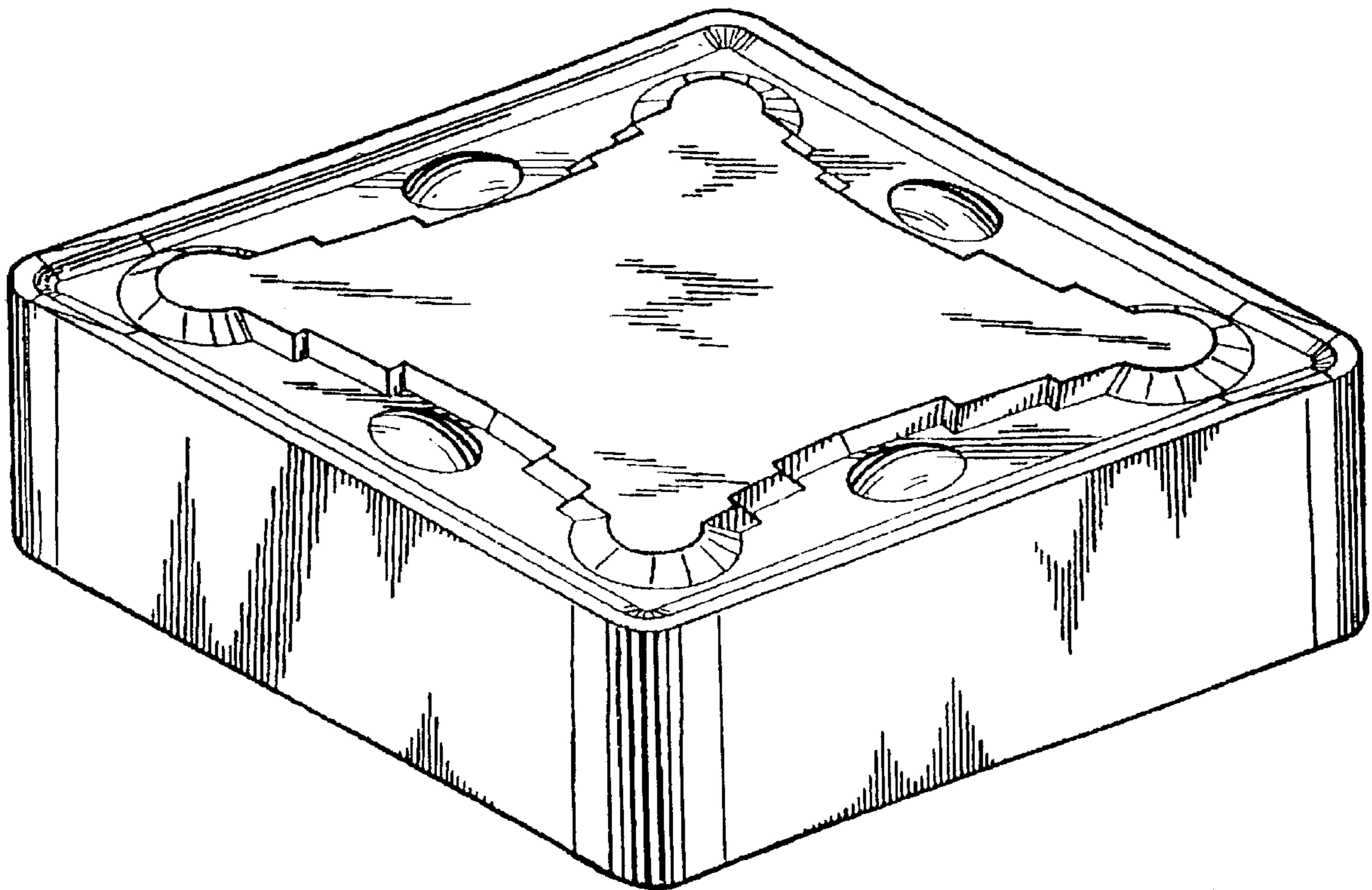
FIG. 4 is a side elevation view taken along lines “4—4” in FIG. 2.

FIG. 5 is an isometric view of a cutting tool insert in accordance with the second embodiment of the subject invention;

FIG. 6 is a top plan view of FIG. 5, wherein the bottom plan view is identical; and,

FIG. 7 is a side elevation view from any side of the insert in FIG. 5.

**1 Claim, 7 Drawing Sheets**



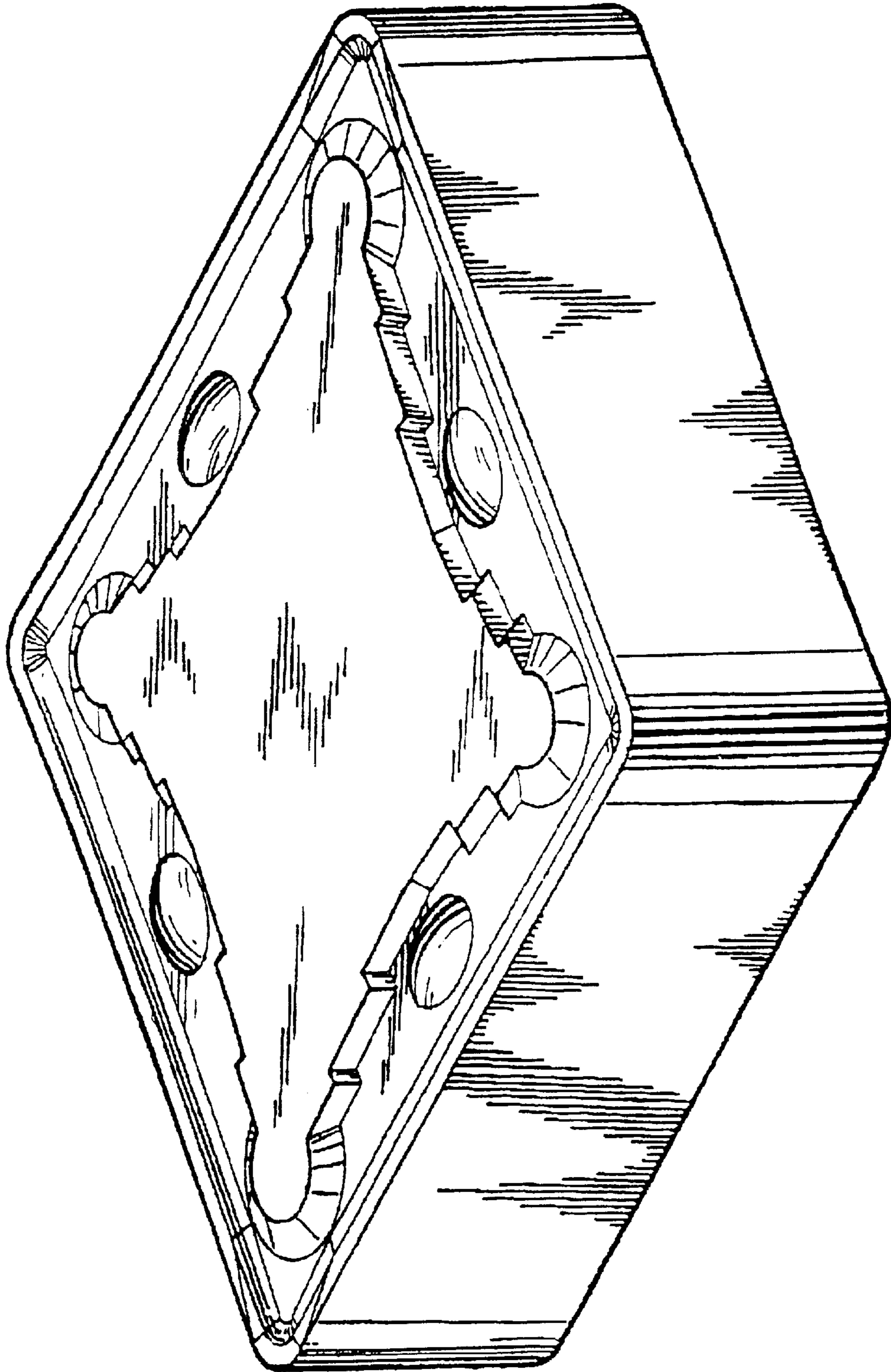


FIG. 1

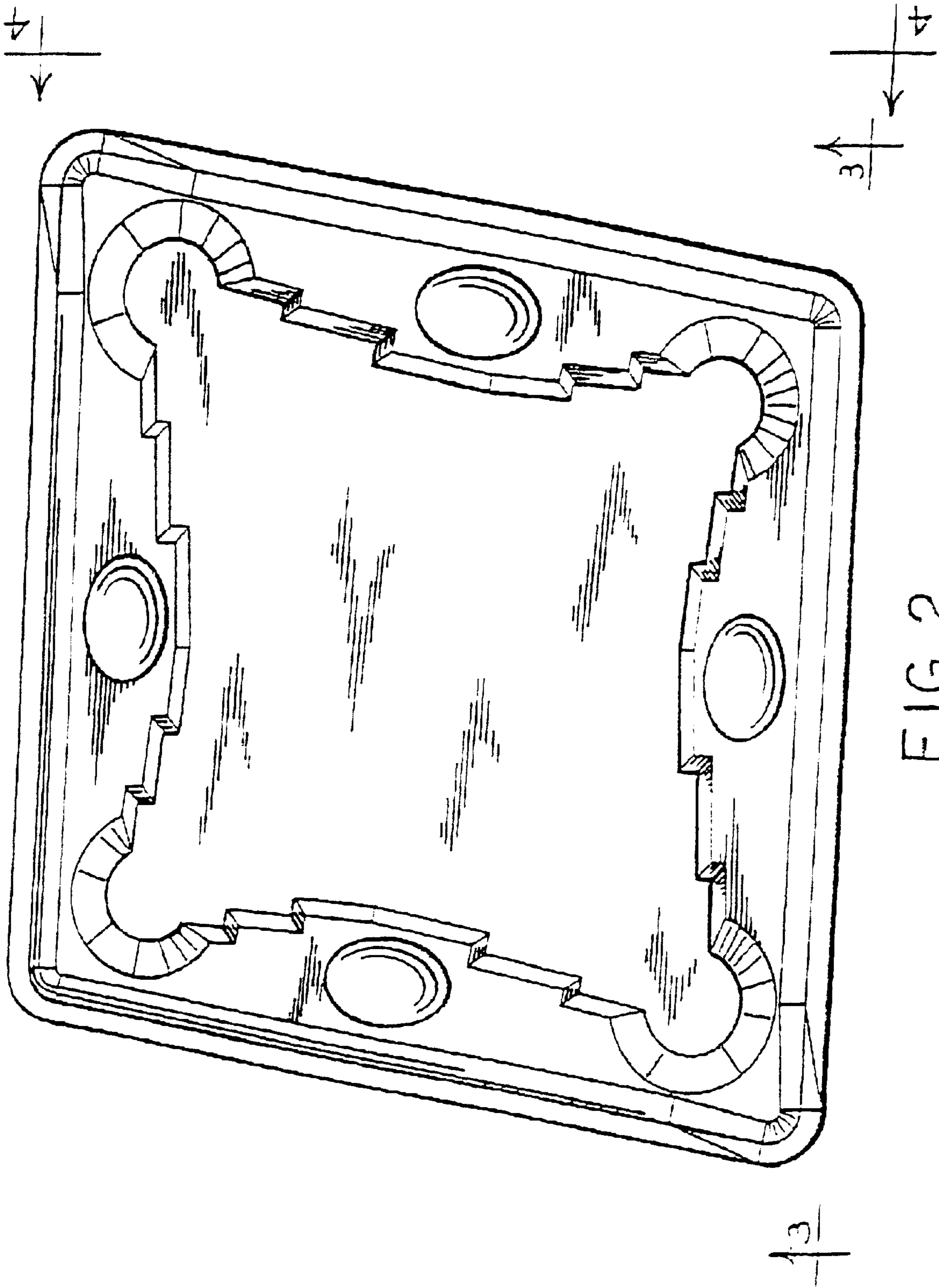


FIG. 2

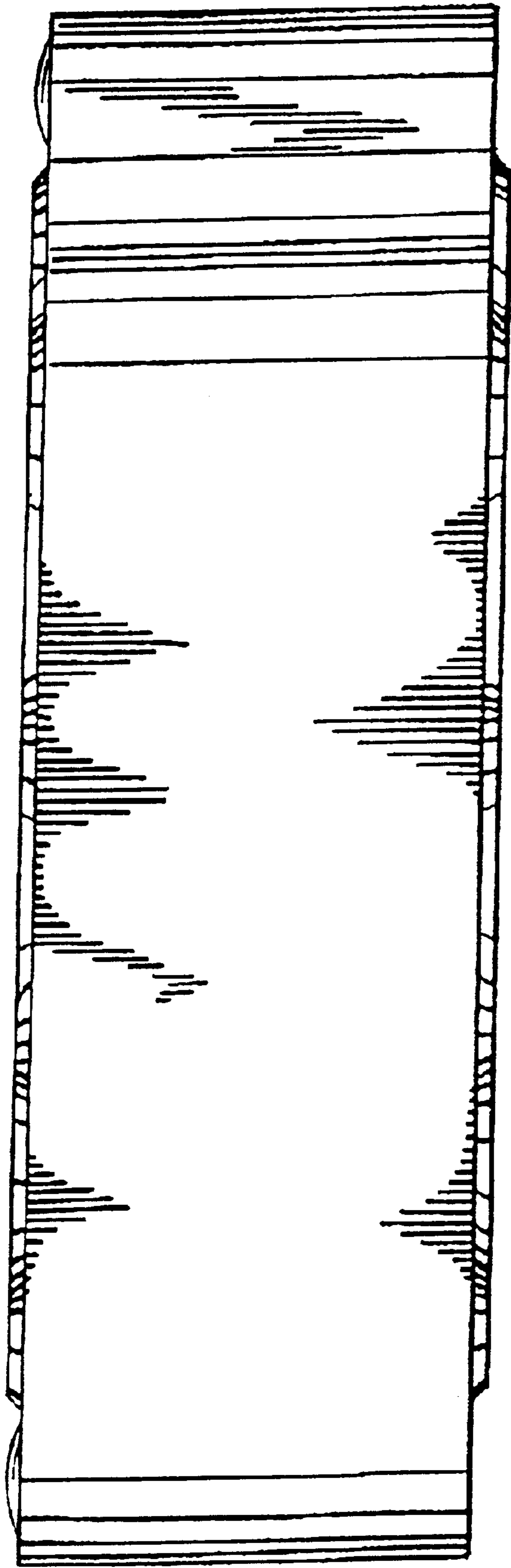


FIG. 3

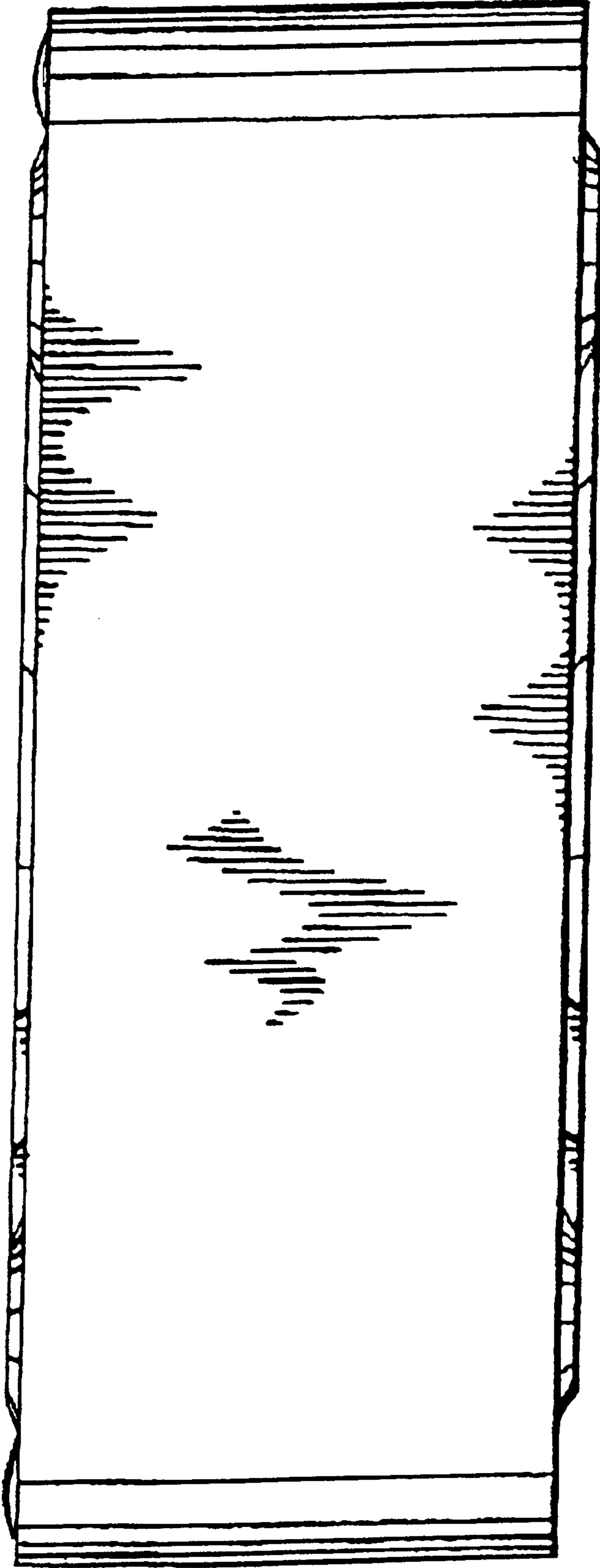


FIG. 4



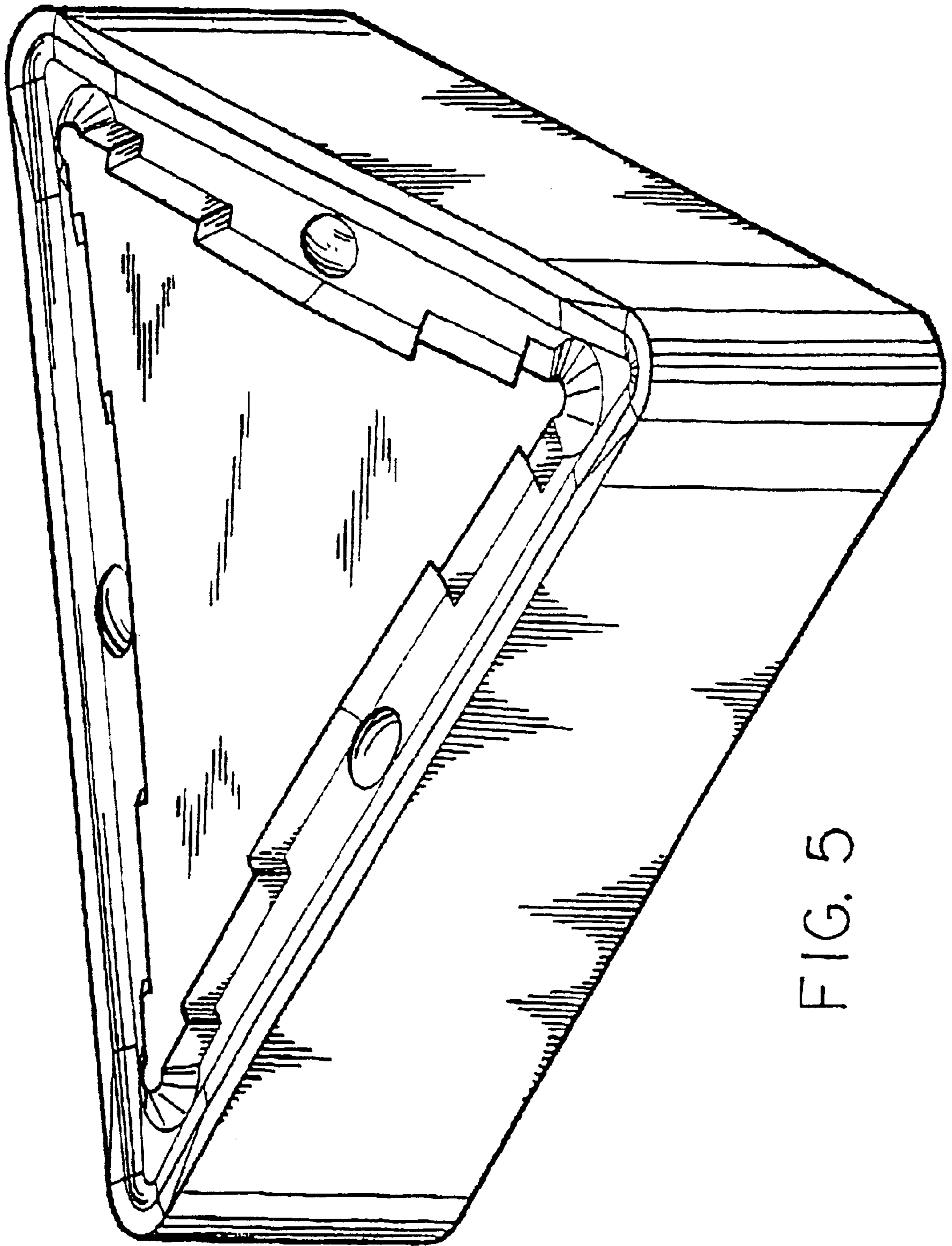


FIG. 5

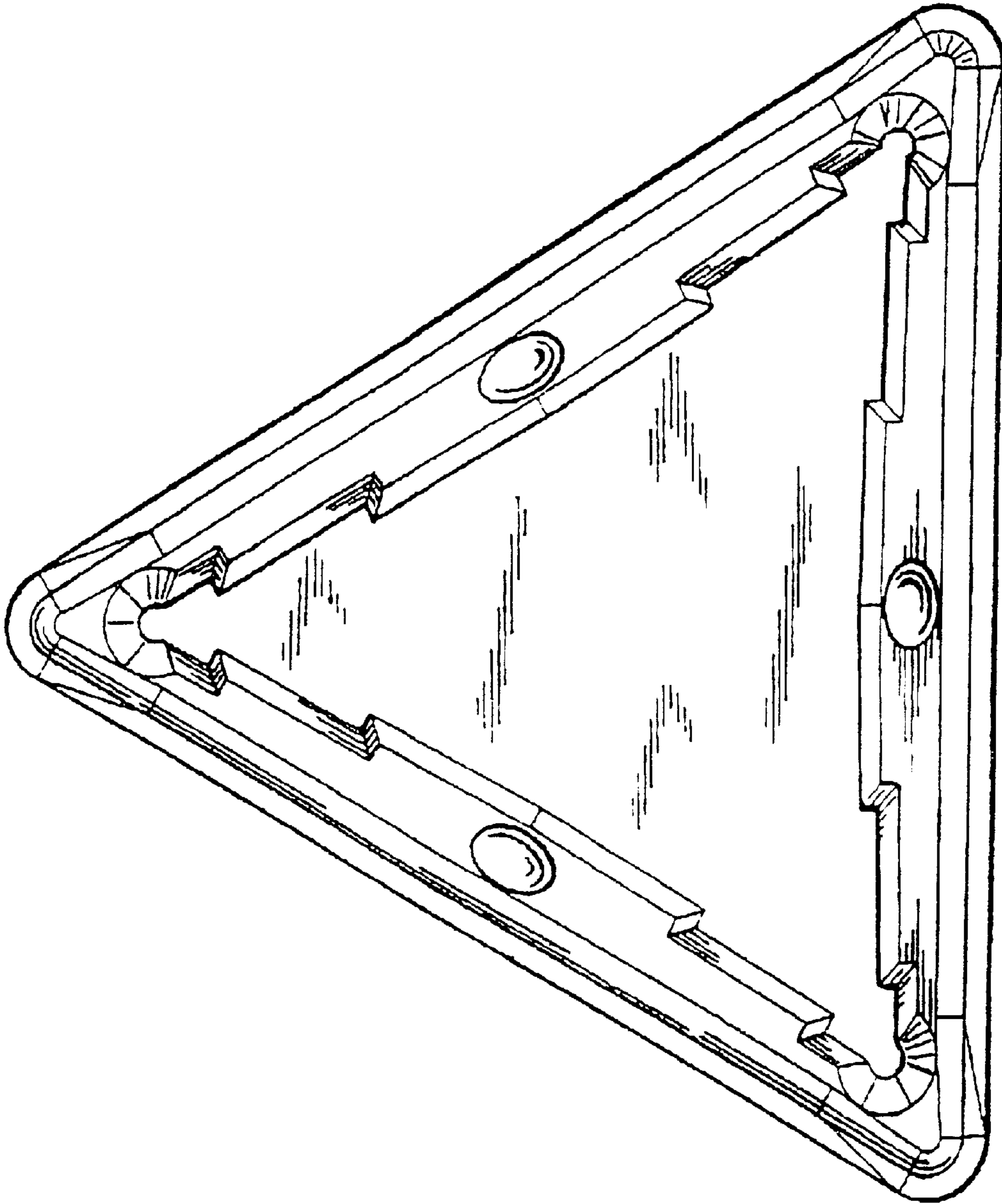


FIG. 6

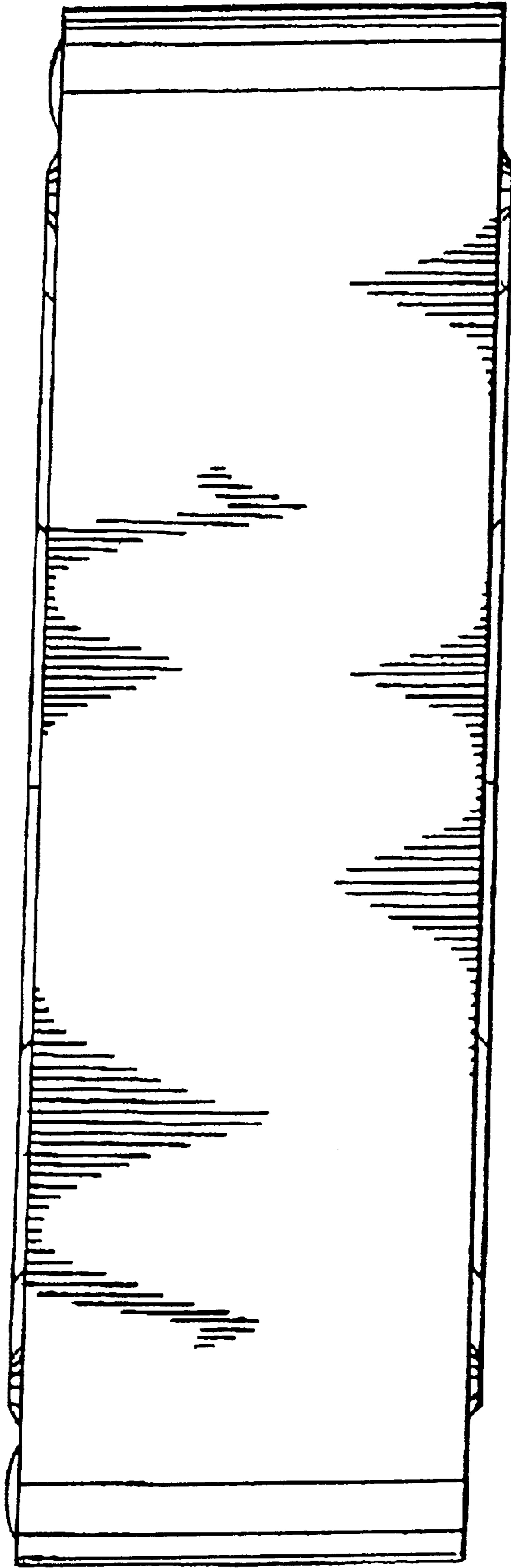


FIG. 7