



US00D432146S

United States Patent [19]

Lindgren et al.

[11] Patent Number: **Des. 432,146**

[45] Date of Patent: **** Oct. 17, 2000**

[54] **FORK SPREADER FOR A WHEEL LOADER**

[75] Inventors: **Gunnar Lindgren; Håkan Ripell**, both of Skogstorp, Sweden

[73] Assignee: **Volvo Wheel Loaders AB**, Eskilstuna, Sweden

[**] Term: **14 Years**

[21] Appl. No.: **29/110,535**

[22] Filed: **Sep. 9, 1999**

[30] Foreign Application Priority Data

Mar. 10, 1999 [SE] Sweden 99-0450

[51] **LOC (7) Cl.** **15-03**

[52] **U.S. Cl.** **D15/32; D34/28**

[58] **Field of Search** D34/28, 35, 29; D15/32, 29; 294/88, 86.4; 414/729, 738, 739, 722; 254/127

[56] References Cited

U.S. PATENT DOCUMENTS

D. 216,874 3/1970 Cline D15/32

D. 219,809	2/1971	Coontz	D15/29
D. 274,251	6/1984	Hustveit	D15/32
D. 323,660	2/1992	Bolduc et al.	D15/32
D. 324,054	2/1992	Smith	D15/32
3,202,226	8/1965	Carson	294/88
5,529,131	6/1996	Van Ornum	D15/32 X
5,592,760	1/1997	Kohout	414/738

Primary Examiner—Cynthia E Ramirez
Attorney, Agent, or Firm—Young & Thompson

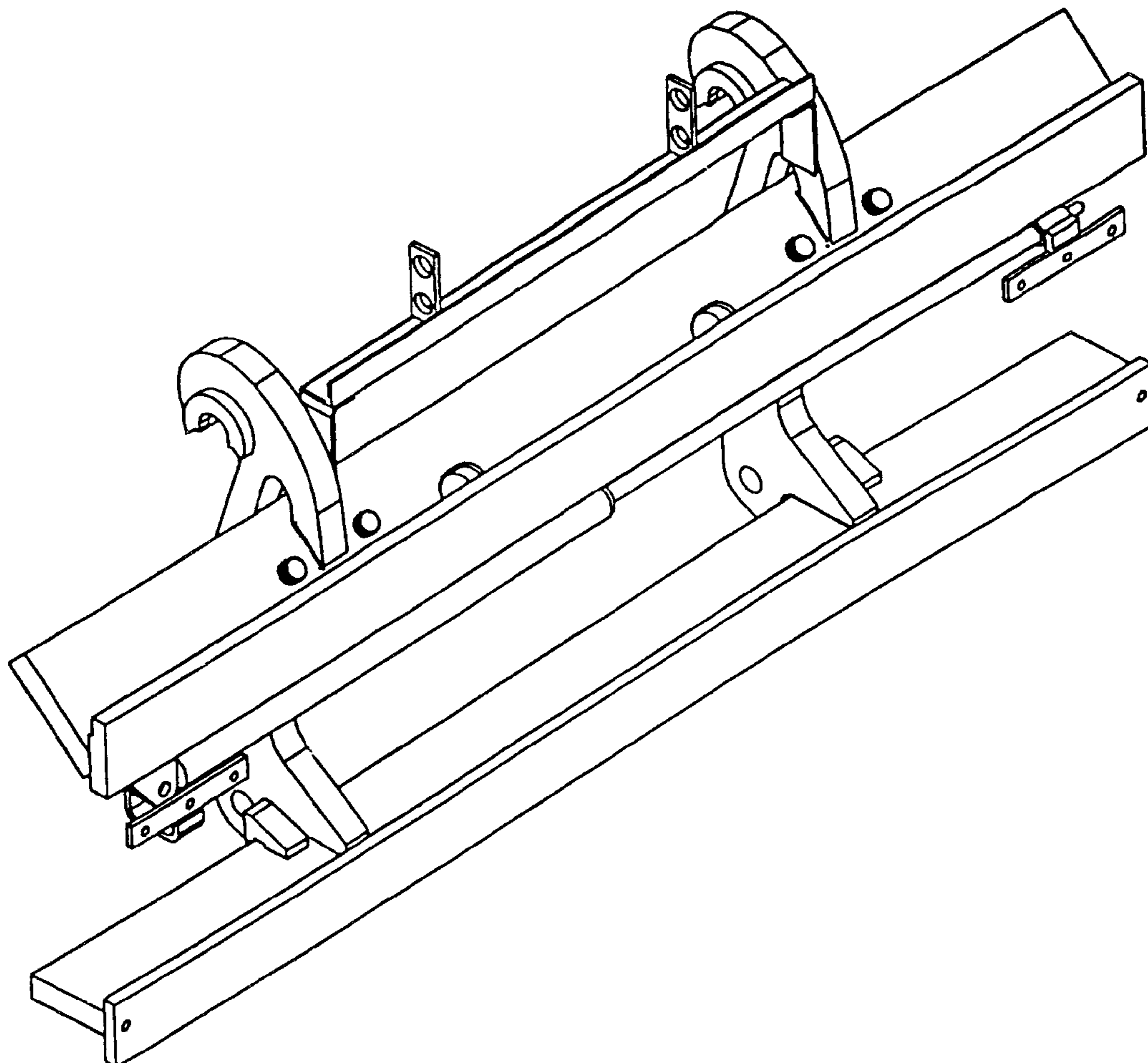
[57] CLAIM

The ornamental design for a fork spreader for a wheel loader, as shown and described.

DESCRIPTION

FIG. 1 is a front and right side perspective view of a fork spreader for a wheel loader, showing our new design; FIG. 2 is a rear and right side perspective view thereof; and, FIG. 3 is a right side elevational view thereof, the left side being a mirror image.

1 Claim, 1 Drawing Sheet



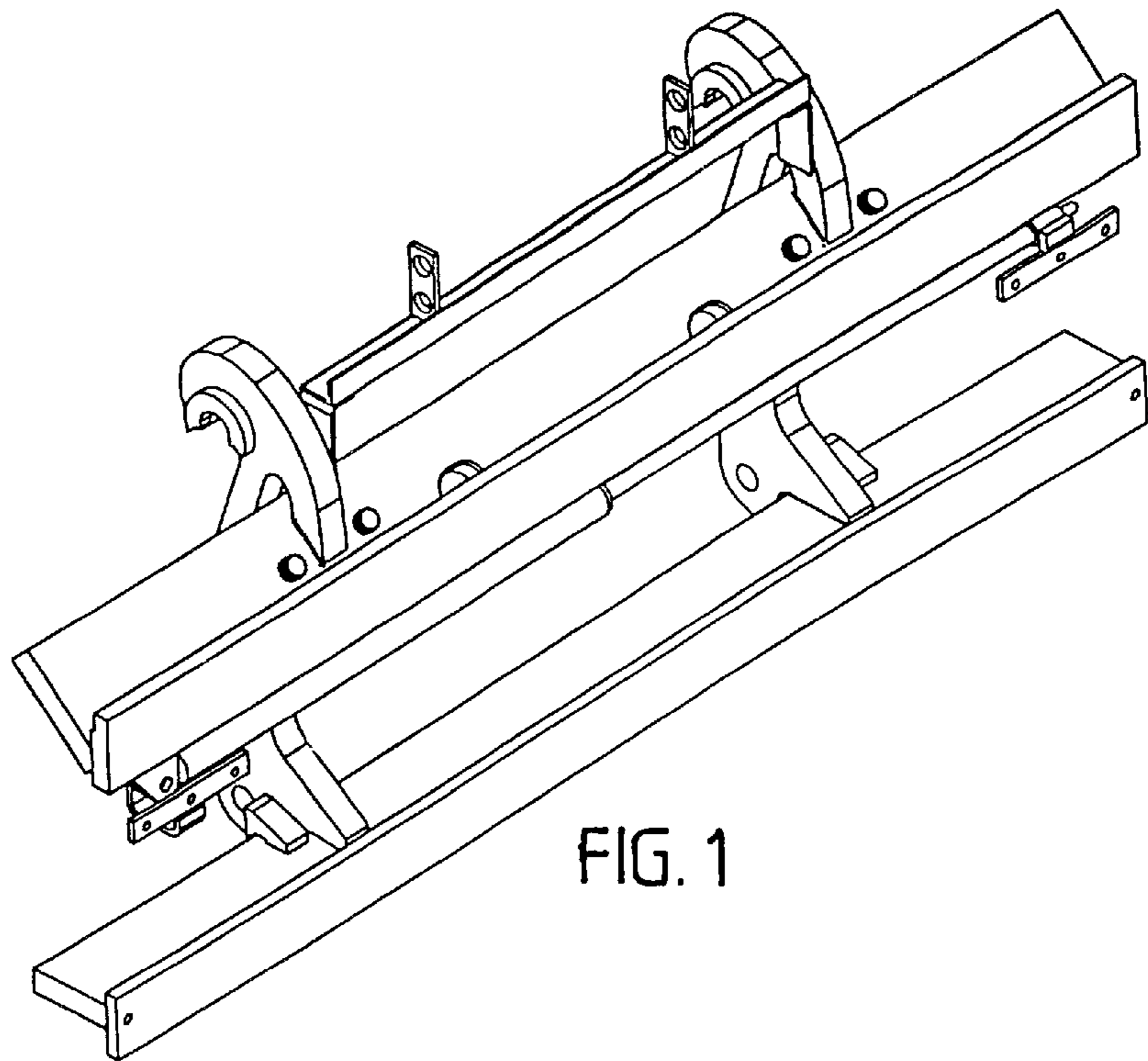


FIG. 1

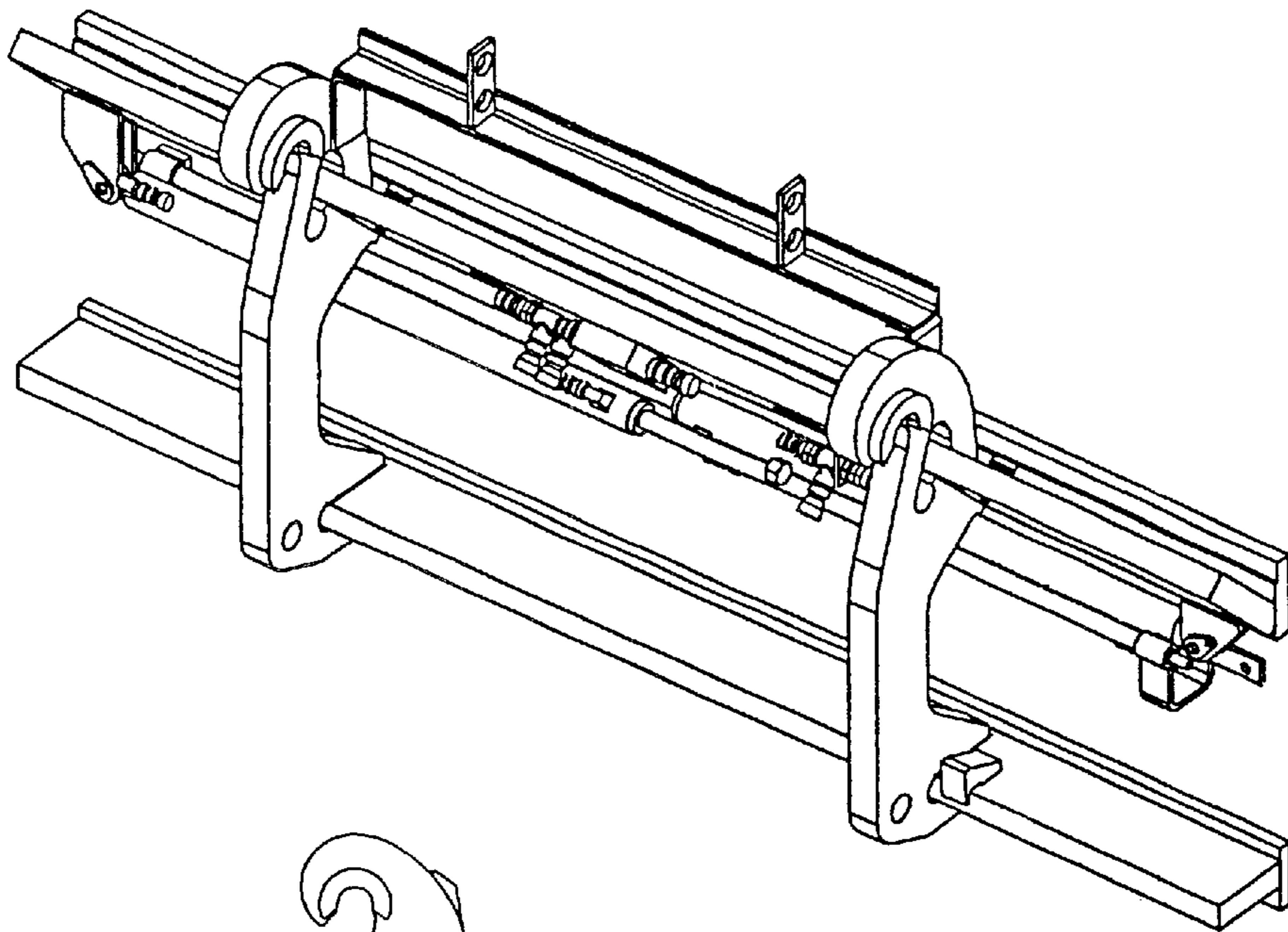


FIG. 2

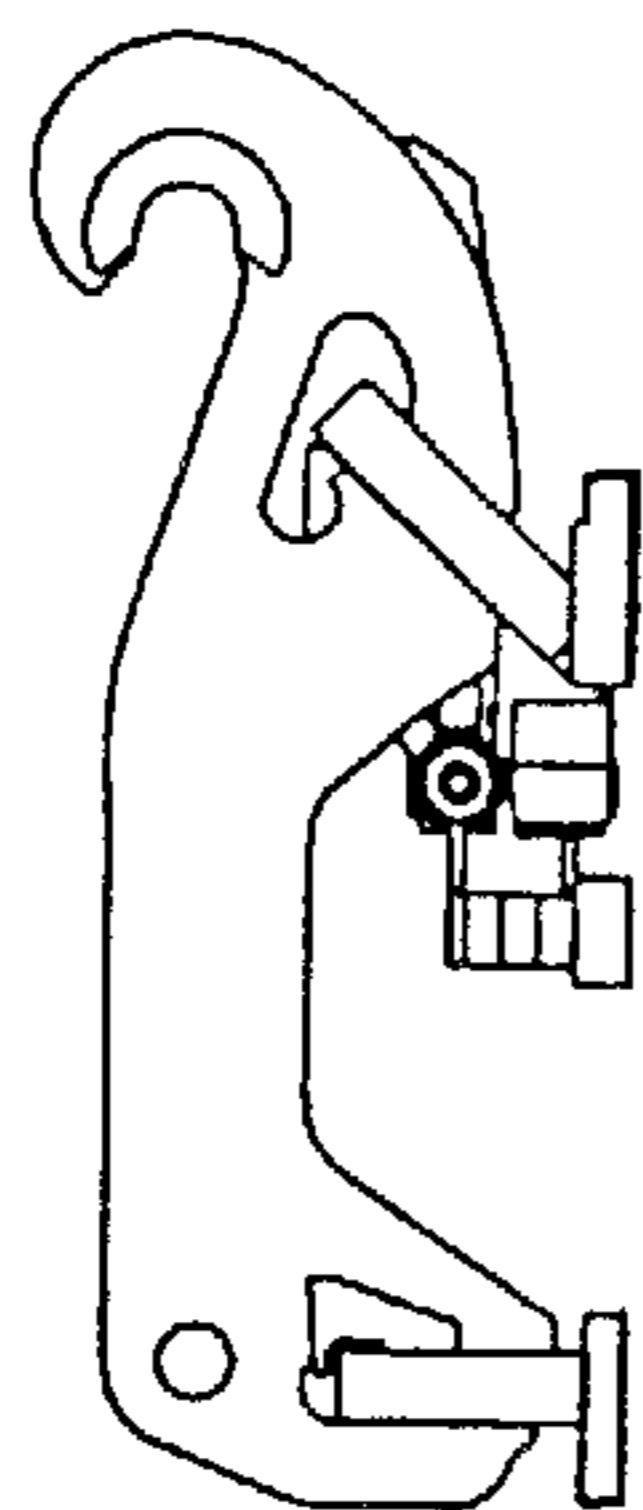


FIG. 3