



US00D432145S

# United States Patent [19]

[11] Patent Number: Des. 432,145

Kraft et al.

[45] Date of Patent: \*\* Oct. 17, 2000

## [54] EXCAVATOR CAB

## OTHER PUBLICATIONS

[75] Inventors: **Troy D. Kraft**, Bismarck, N. Dak.; **Gary W. Weddle**, Bedford, Tex.; **John W. Henline**, Bismarck, N. Dak.; **Dennis A. Fuller**, Bismarck, N. Dak.; **Paul S. Huettl**, Bismarck, N. Dak.

Brochure 300 C-Series Excavators, Melroe/Ingersoll Rand, Published Jan., 1997.

Worksaver Bobcatalog, Cover Page and pp. 3 and 13, Published on or about Jan. 1997.

[73] Assignee: **Clark Equipment Company**, Woodcliff Lake, N.J.

“Buying a Compact Excavator” including showing of Bobcat Excavator Models 320, 325, 328, 334, 331 and 337 (pp. 12–14 and 17–20), Publication date on or about Jan., 1999.

Brochure Bobcat 341 Excavator, Melroe/Ingersoll Rand, Published Mar. 1999.

[\*\*] Term: **14 Years**

Brochure Bobcat 334 Excavator, Published Dec. 1998.

Brochure Bobcat 328 Excavator, Published Dec. 1998.

[21] Appl. No.: **29/112,984**

*Primary Examiner*—Sandra L. Morris

[22] Filed: **Oct. 27, 1999**

*Attorney, Agent, or Firm*—Westman, Champlin & Kelly, P.A.

[51] **LOC (7) Cl.** ..... **15-04**

## [57] CLAIM

[52] **U.S. Cl.** ..... **D15/30; D15/25**

[58] **Field of Search** ..... D15/10, 22–26, D15/28, 31; 180/89.1, 89.2, 900; 212/178; 296/190.1; 414/680, 685, 694, 698, 719, 722, 743

The excavator cab, as shown and described.

## DESCRIPTION

## [56] References Cited

FIG. 1 is a perspective view of an excavator cab embodying our new design, the broken line showing of the vehicle and tool being for illustrative purposes only, and forming no part of the claimed design;

### U.S. PATENT DOCUMENTS

D. 209,137	11/1967	Highberger et al.	.....	D15/24
D. 237,996	12/1975	Pierre	.....	D15/30
D. 273,384	4/1984	Nasu et al.	.....	D15/24
D. 338,019	8/1993	Bhambra	.....	D15/25
D. 391,272	2/1998	Jin et al.	.....	D15/25
D. 406,152	2/1999	Miyaoka et al.	.....	D15/25
5,096,253	3/1992	Jo et al.	.....	296/190
5,544,435	8/1996	Somero	.....	37/405

FIG. 2 is a top elevational view thereof;

FIG. 3 is a front plan view thereof;

FIG. 4 is a right side elevational view thereof;

FIG. 5 is a left side elevational view thereof;

FIG. 6 is a rear elevational view thereof; and,

FIG. 7 is a bottom plan view thereof.

**1 Claim, 4 Drawing Sheets**

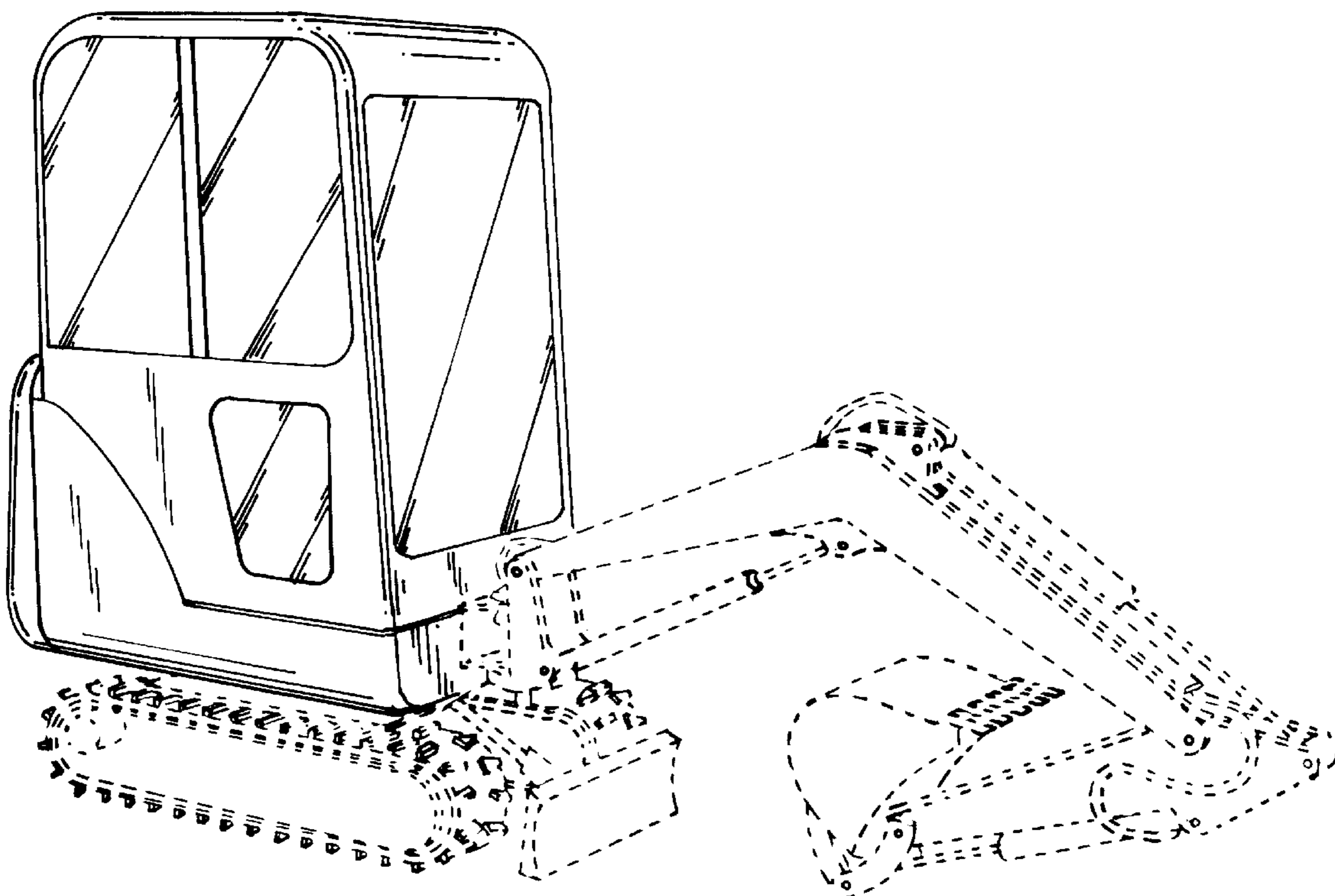
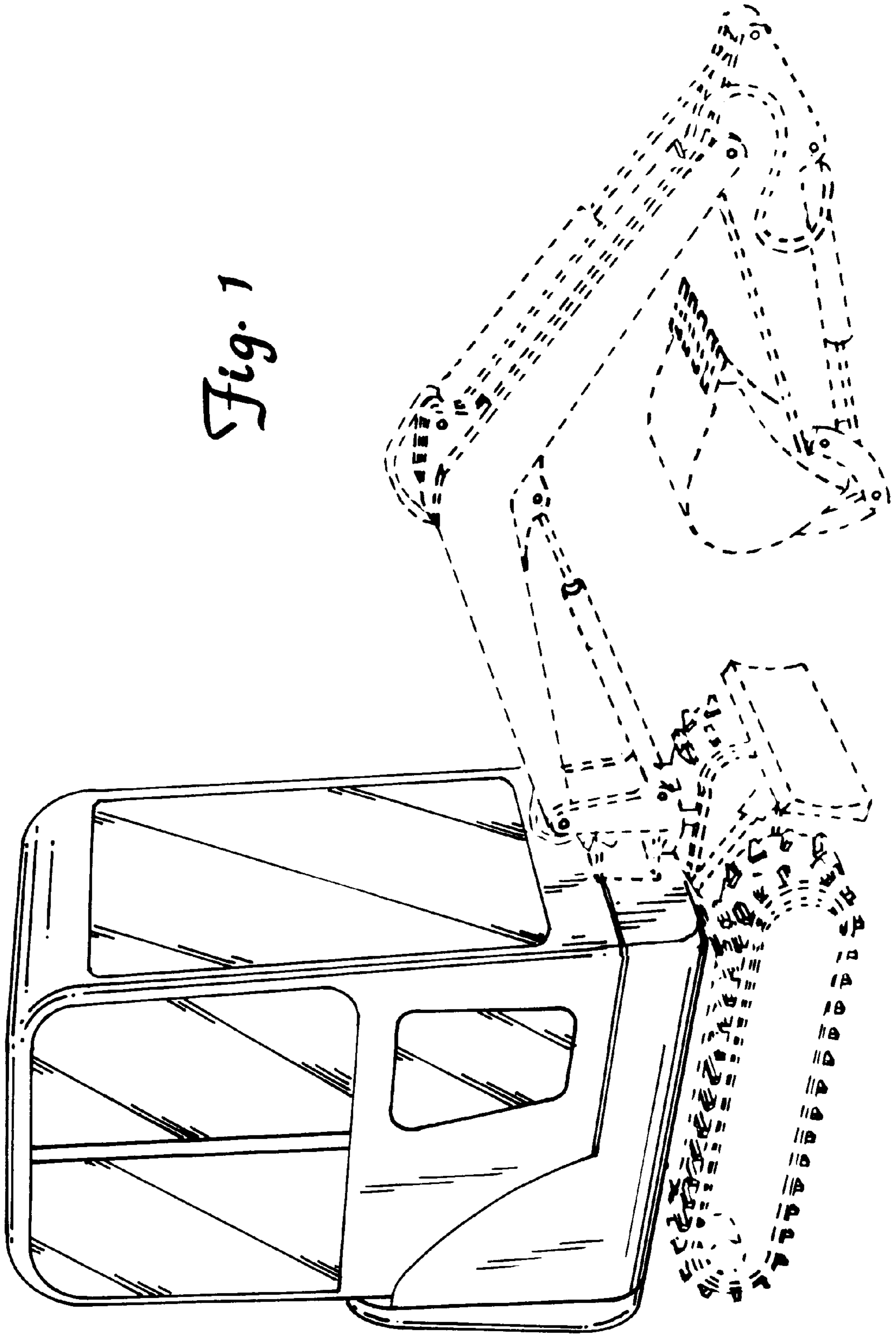
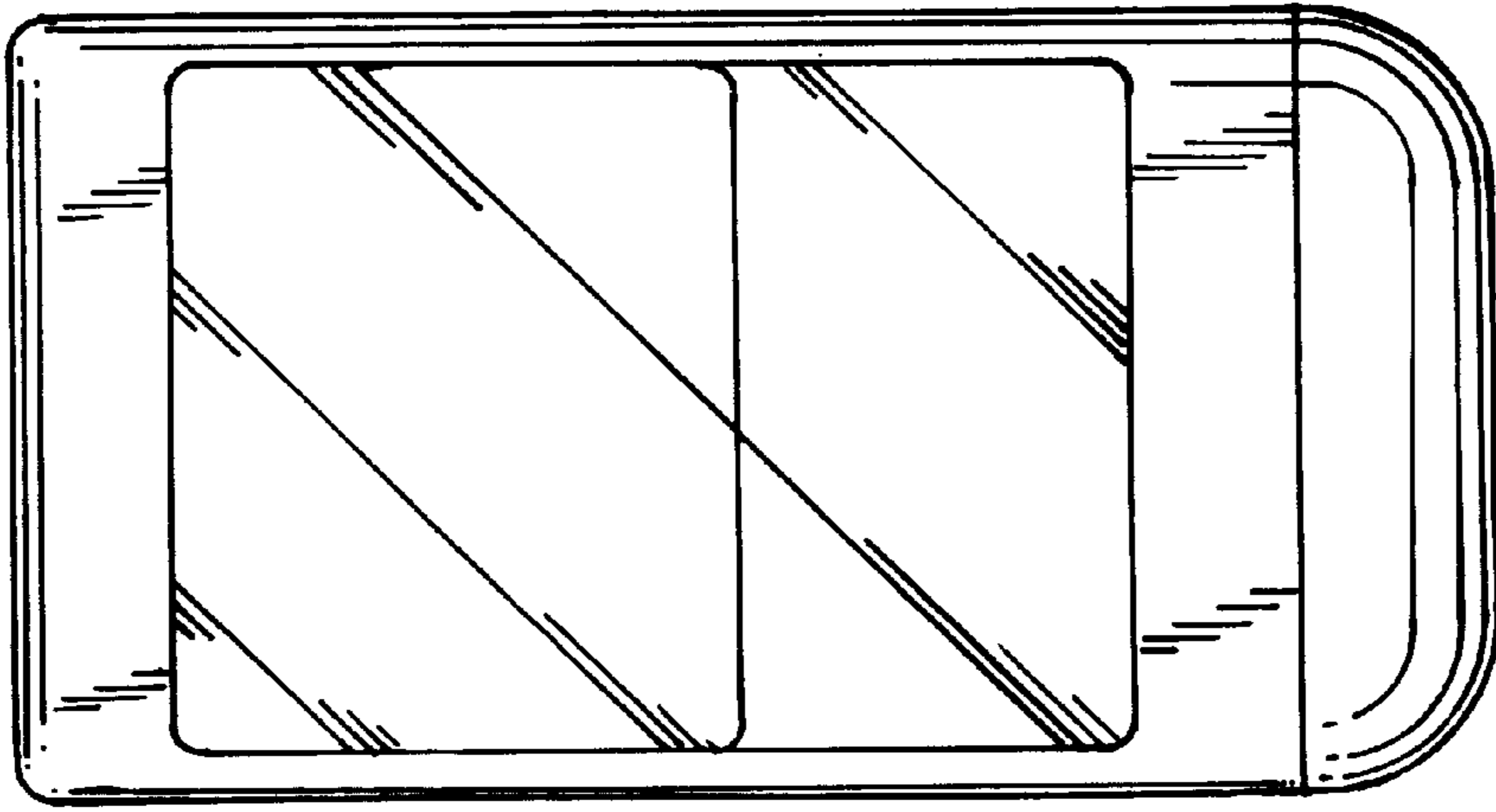
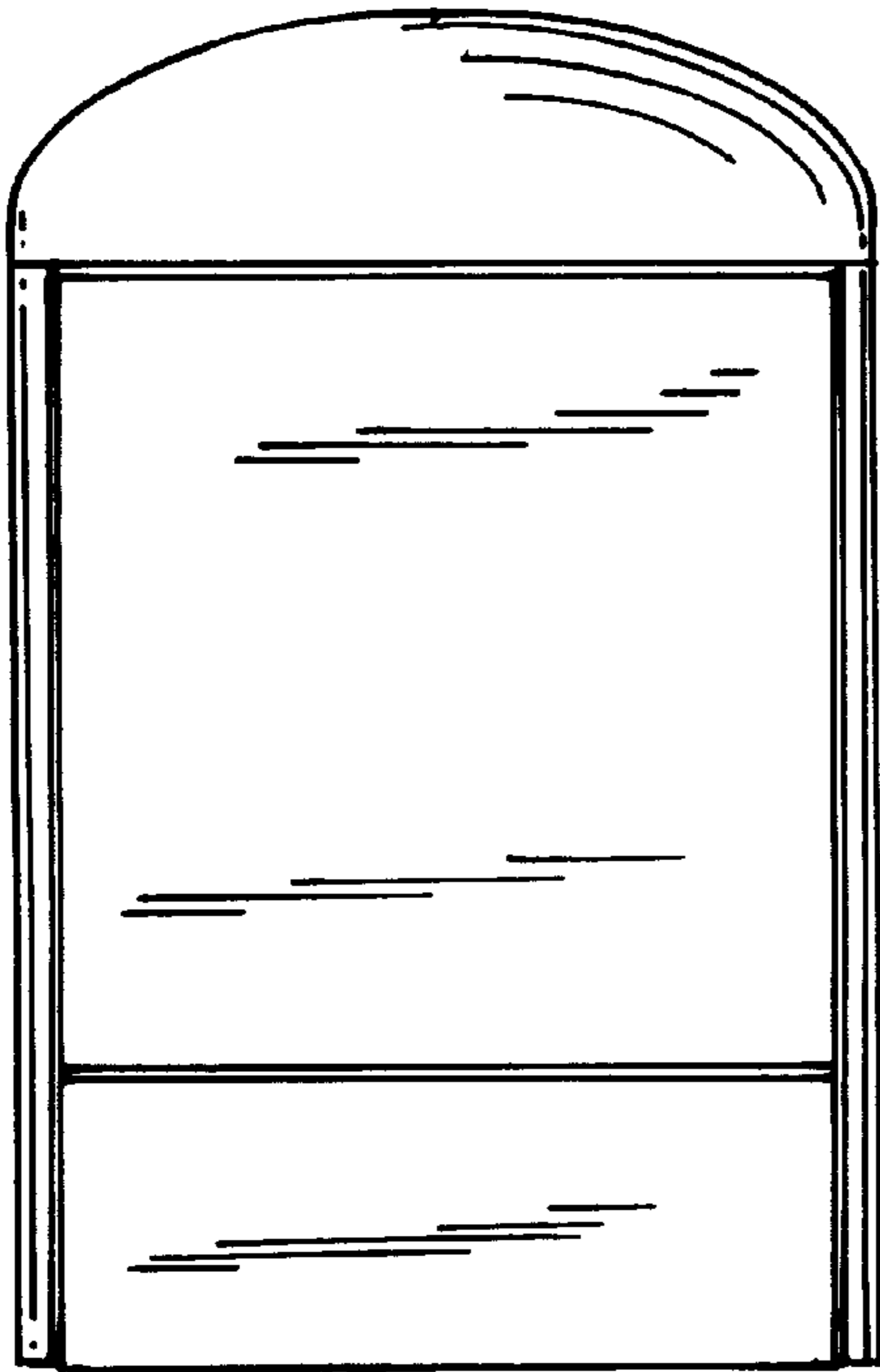


Fig. 1

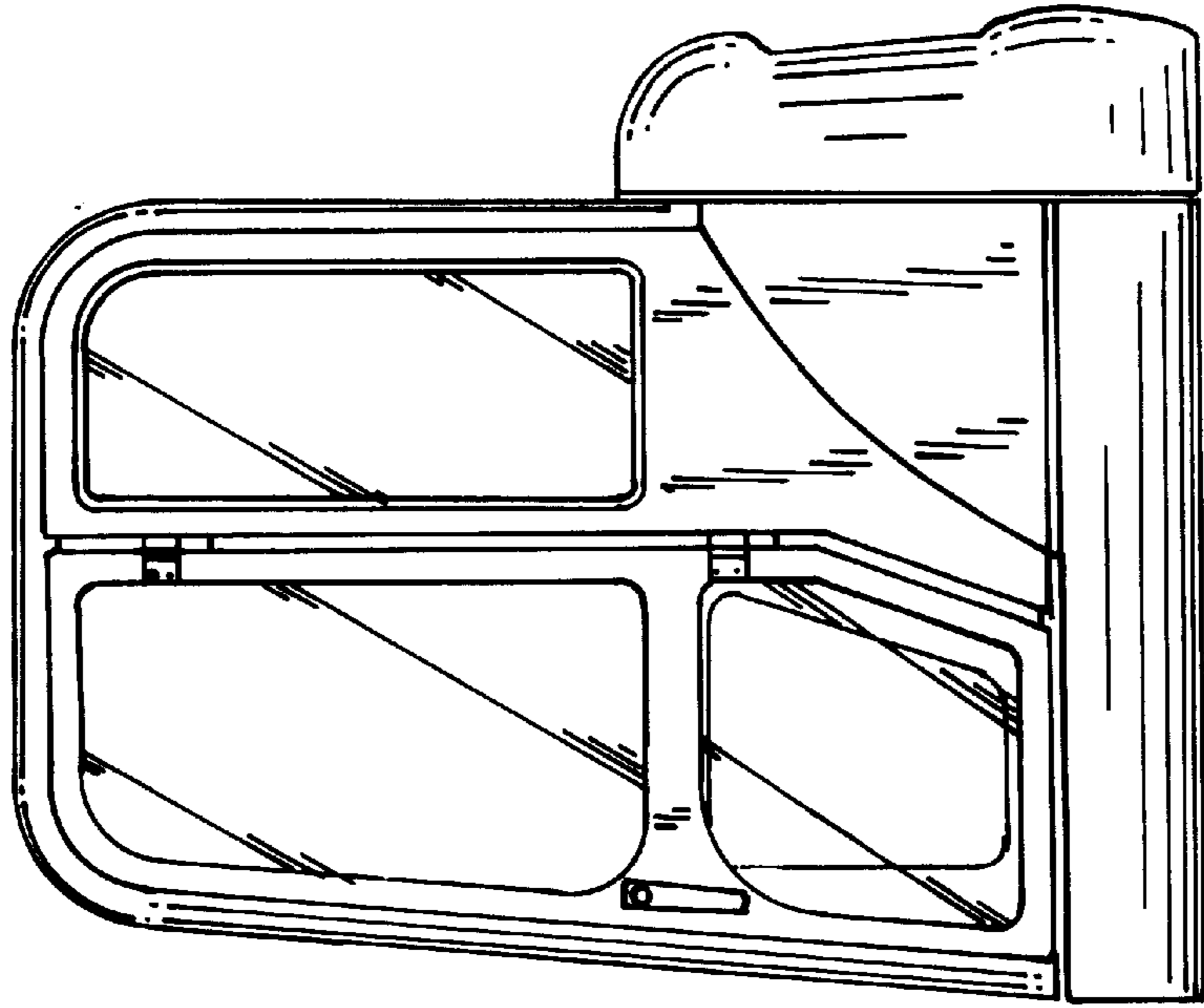




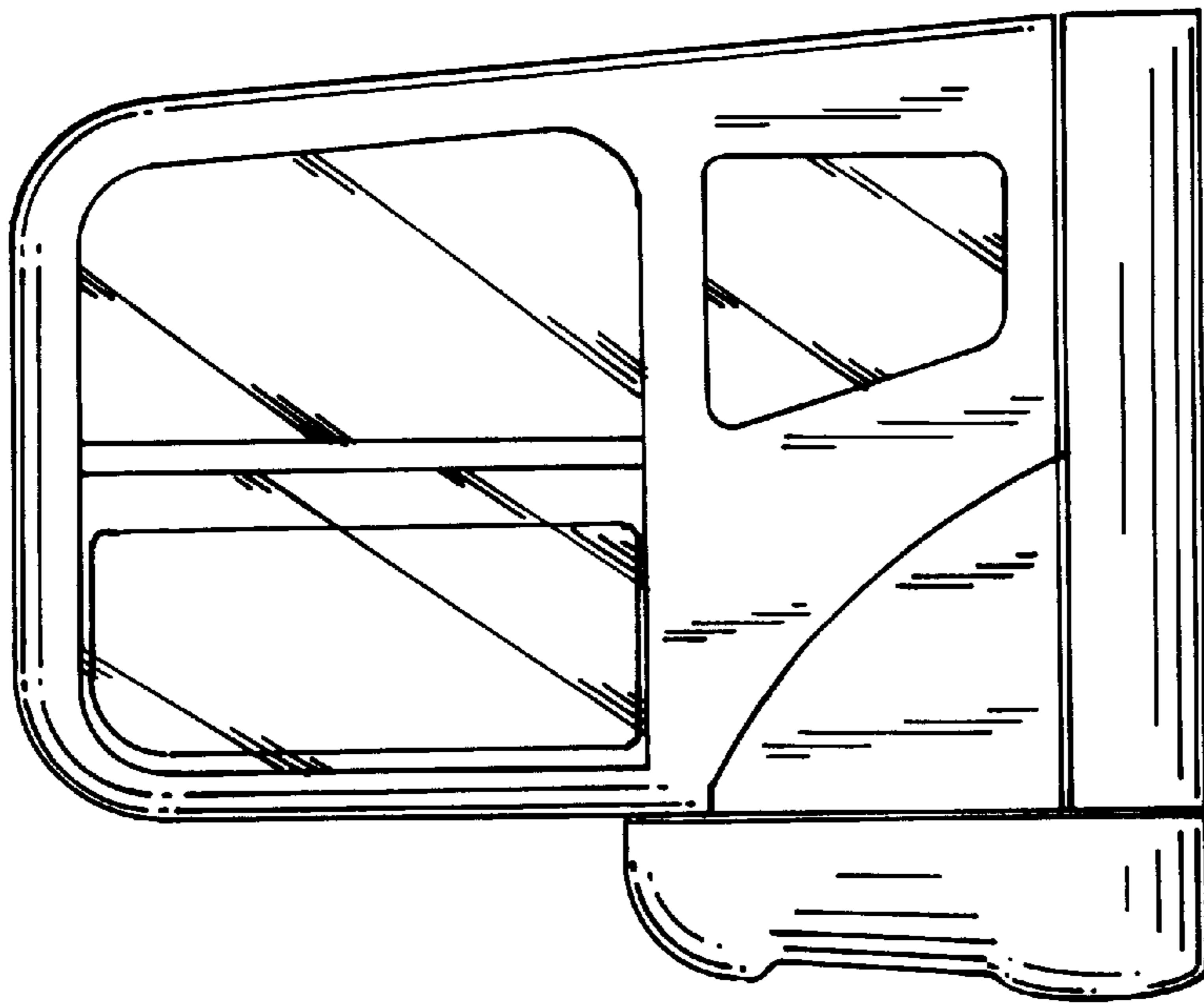
*Fig. 3*



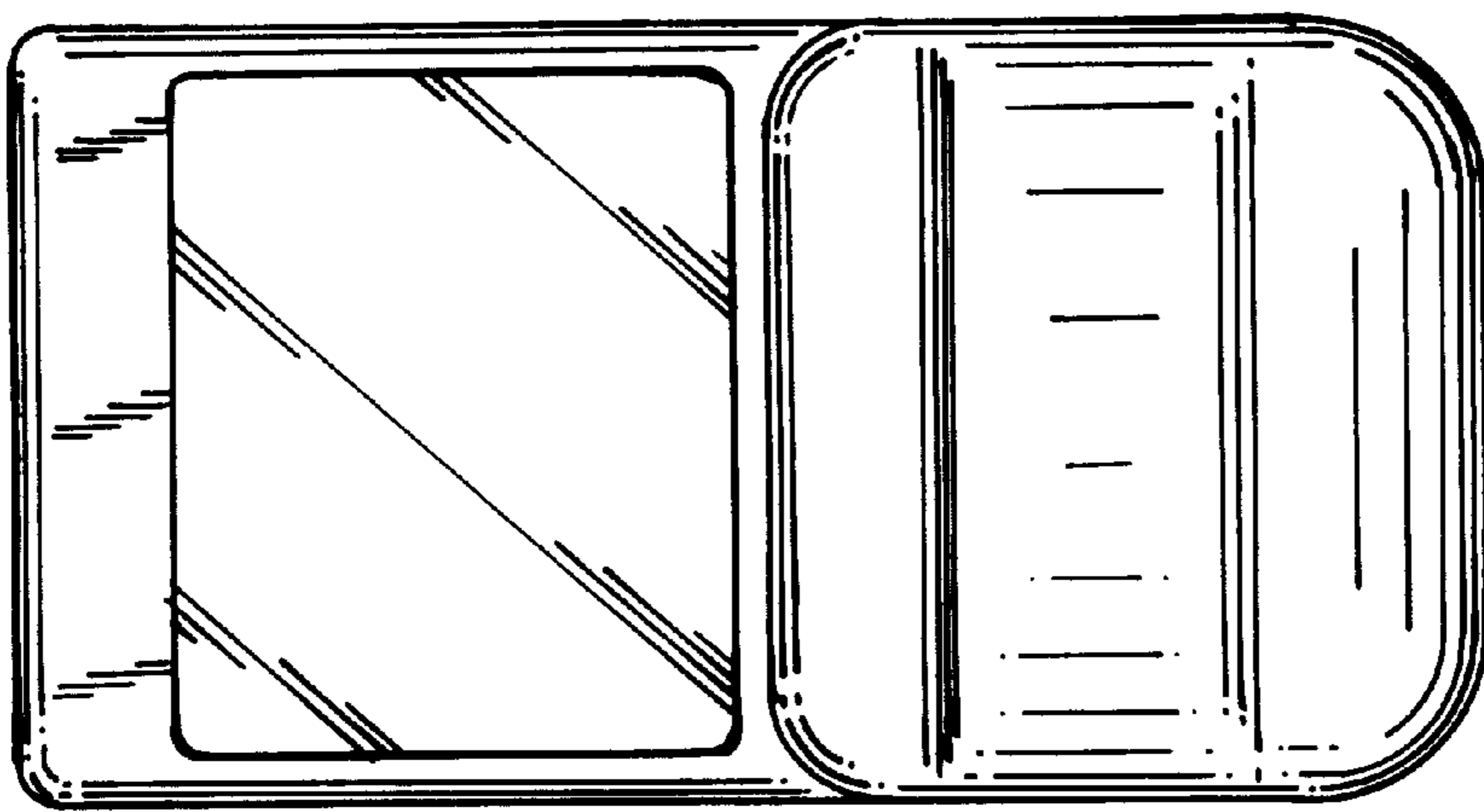
*Fig. 2*



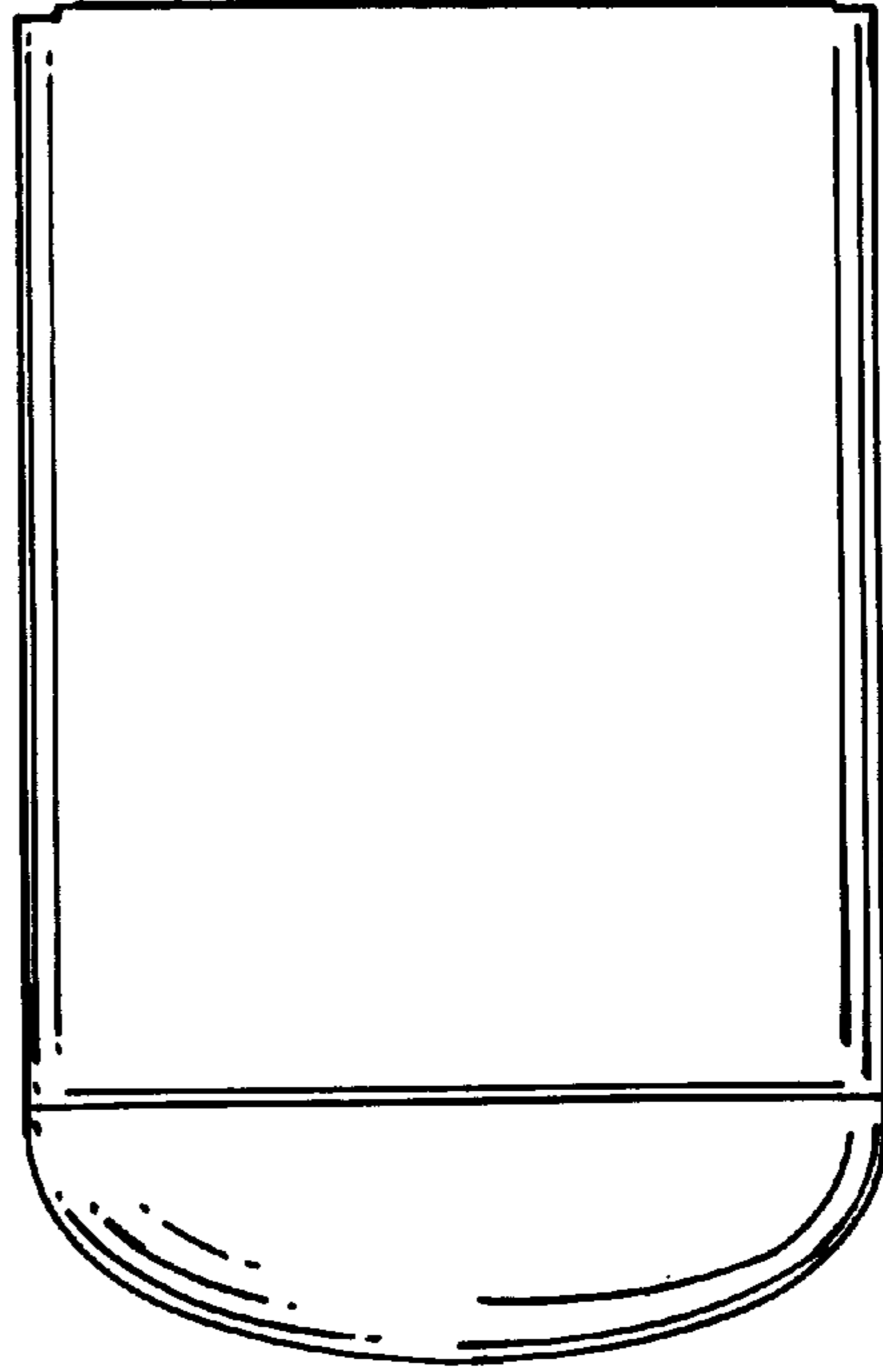
*Fig. 5*



*Fig. 4*



*Fig. 6*



*Fig. 7*