



US00D432144S

# United States Patent [19]

[11] **Patent Number: Des. 432,144**

**Kraft et al.**

[45] **Date of Patent: \*\* Oct. 17, 2000**

[54] **EXCAVATOR CAB WITH EXTENDED REAR HOUSING**

[75] Inventors: **Troy D. Kraft**, Bismarck, N. Dak.; **Gary W. Weddle**, Bedford, Tex.; **John W. Henline**, Bismarck, N. Dak.; **Dennis A. Fuller**, Bismarck, N. Dak.; **Paul S. Huettl**, Bismarck, N. Dak.

[73] Assignee: **Clark Equipment Company, Inc.**, Woodcliff Lake, N.J.

[\*\*] Term: **14 Years**

[21] Appl. No.: **29/112,939**

[22] Filed: **Oct. 27, 1999**

[51] **LOC (7) Cl.** ..... **15-04**

[52] **U.S. Cl.** ..... **D15/30; D15/25**

[58] **Field of Search** ..... D15/10, 22-26, D15/28, 31; 180/89.1, 89.12, 900; 212/178; 296/190.1; 414/680, 685, 694, 698, 719, 722, 743

[56] **References Cited**

**U.S. PATENT DOCUMENTS**

D. 209,137	11/1967	Highberger et al.	.....	D15/24
D. 273,384	4/1984	Nasu et al.	.....	D15/24
D. 338,019	8/1993	Bhambra	.....	D15/25
D. 391,272	2/1998	Jin et al.	.....	D15/25
D. 406,152	2/1999	Miyaoka et al.	.....	D15/25
5,544,435	8/1996	Somero	.....	414/722

**OTHER PUBLICATIONS**

Brochure 300 C-Series Excavators, Melroe/Ingersoll Rand, Published Jan., 1997.

Worksaver Bobcatalog, Cover Page and pp. 3 and 13, Published on or about Jan. 1997.

“Buying a Companct Excavator” including showings of BOBCAT Excavator Models 320, 325, 328, 334, 331 and 337 (pp. 12-14 and 17-20), Publication date on or about Jan., 1999 (admitted prior art shown and published more than a year before filing of the present application).

Brochure BOBCAT 341 Excavator, Melroe/Ingersoll and Rand, Published Mar. 1999 (Admitted prior art published more than a year before filing of the present application).

Brochure BOBCAT 334 Excavator, Published Dec. 1998 (Admitted prior art published more than a year before filing of the present application).

Brochure BOBCAT 328 Excavator, Published Dec. 1998 (admitted designs published more than a year before filing this application).

*Primary Examiner*—Sandra L. Morris  
*Attorney, Agent, or Firm*—Westman, Champlin & Kelly, P.A.

[57] **CLAIM**

The excavator cab with extended rear housing, as shown and described.

**DESCRIPTION**

FIG. 1 is a rear perspective view of an excavator cab with extended rear housing showing a first embodiment of our new design, the broken line showing of the vehicle and tool being for illustrative purposes only, and forming no part of the claimed design;

FIG. 2 is a top plan view thereof;

FIG. 3 is a front elevational view thereof;

FIG. 4 is a right side elevational view thereof;

FIG. 5 is a left side elevational view thereof;

FIG. 6 is a rear elevational view thereof;

FIG. 7 is a bottom plan view thereof;

FIG. 8 is a rear perspective view of an excavator cab with extended rear housing showing a second embodiment of our new design, the broken line showing of the vehicle and tool being for illustrative purposes only, and forming no part of the claimed design;

FIG. 9 is a top plan view thereof;

FIG. 10 is a front elevational view thereof;

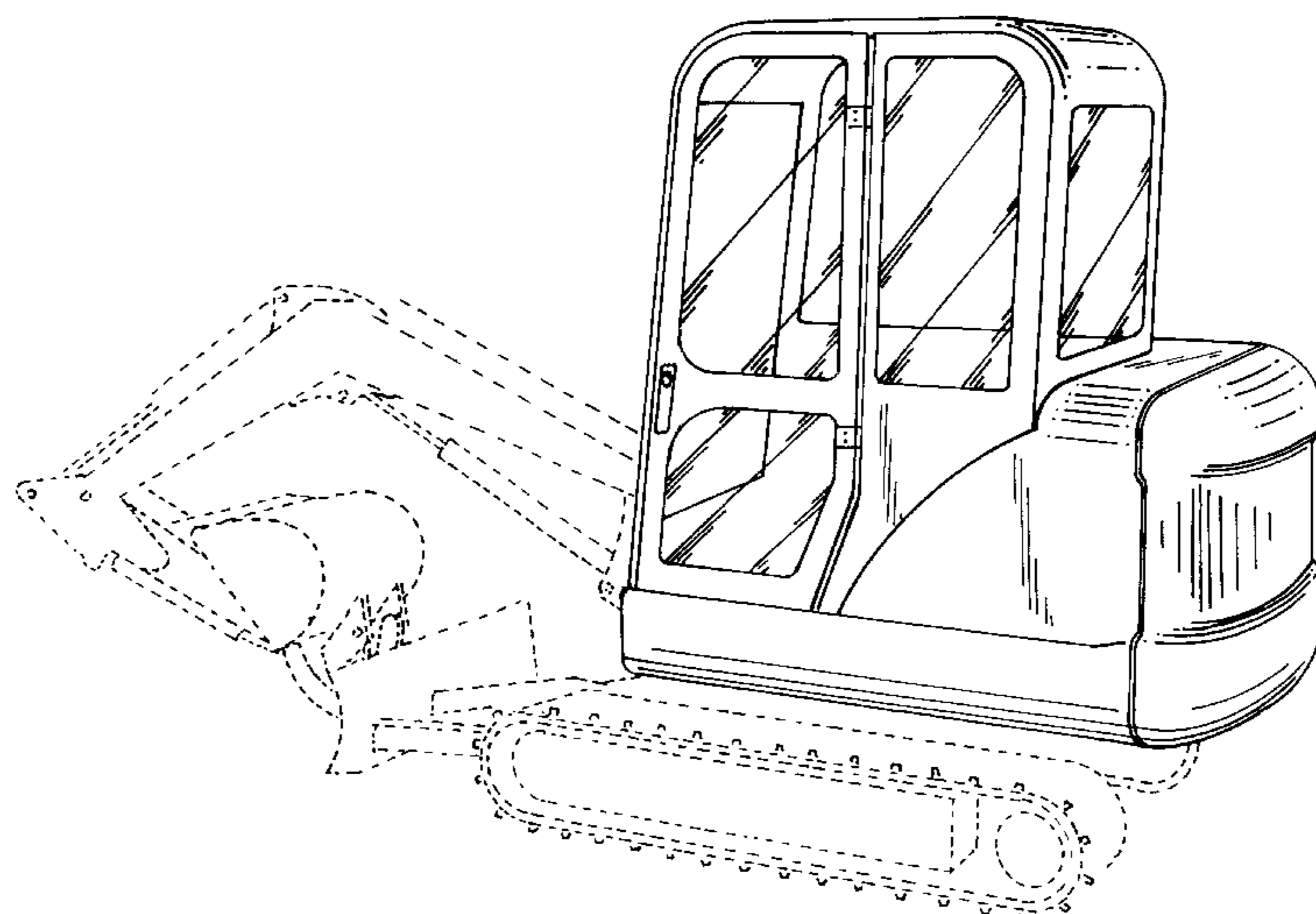
FIG. 11 is a right side elevational view thereof;

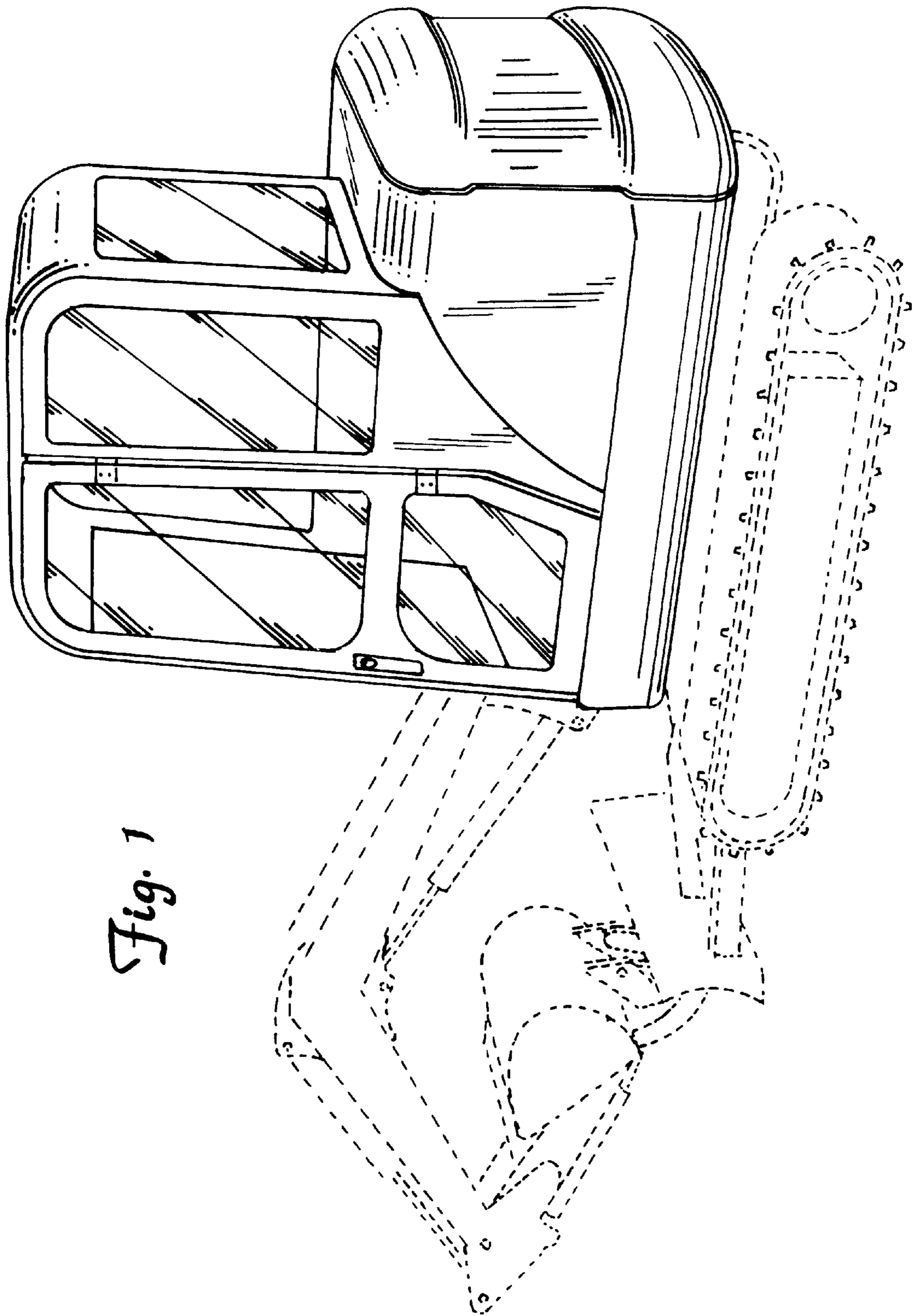
FIG. 12 is a left side elevational view thereof;

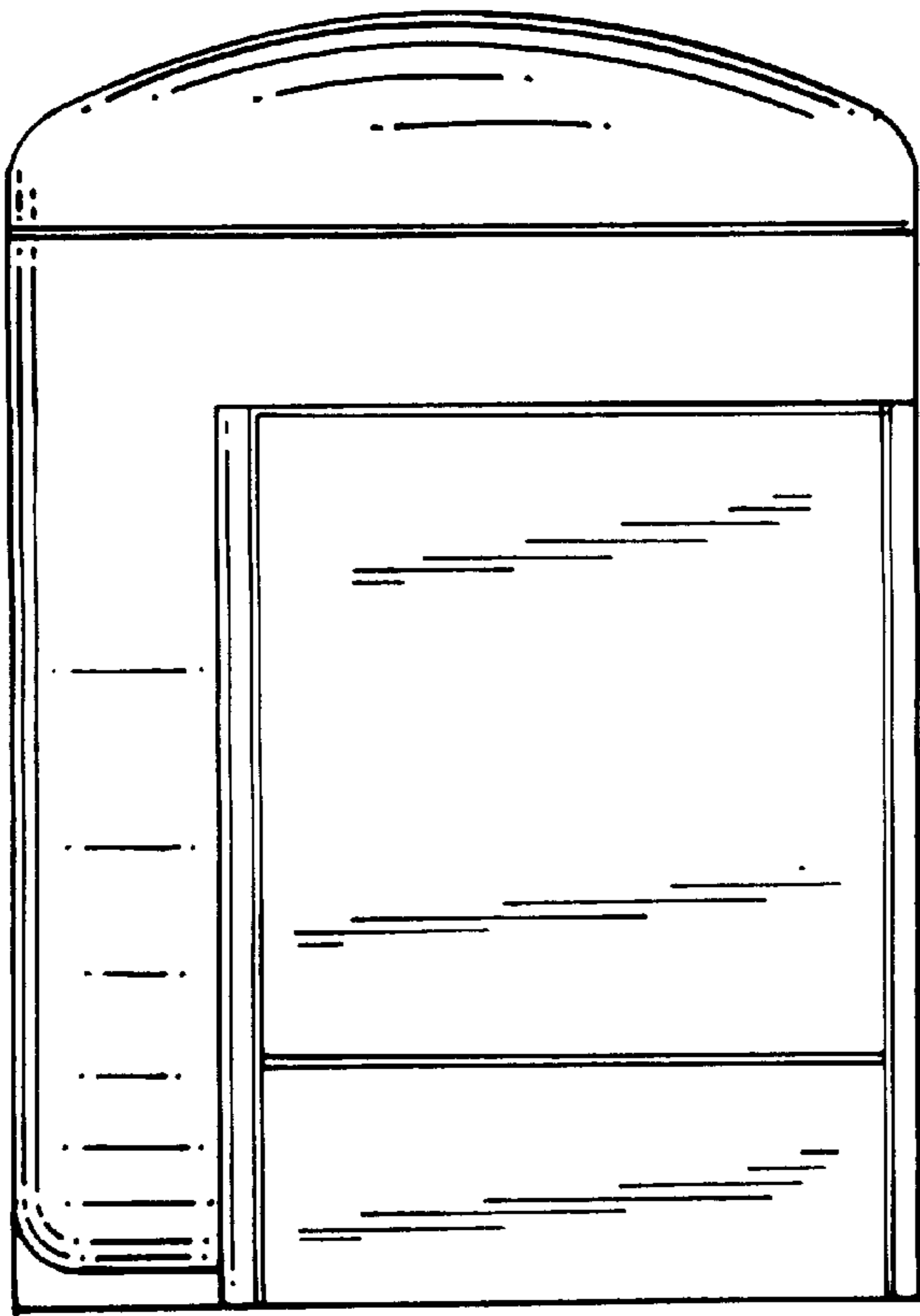
FIG. 13 is a rear elevational view thereof; and,

FIG. 14 is a bottom plan view thereof.

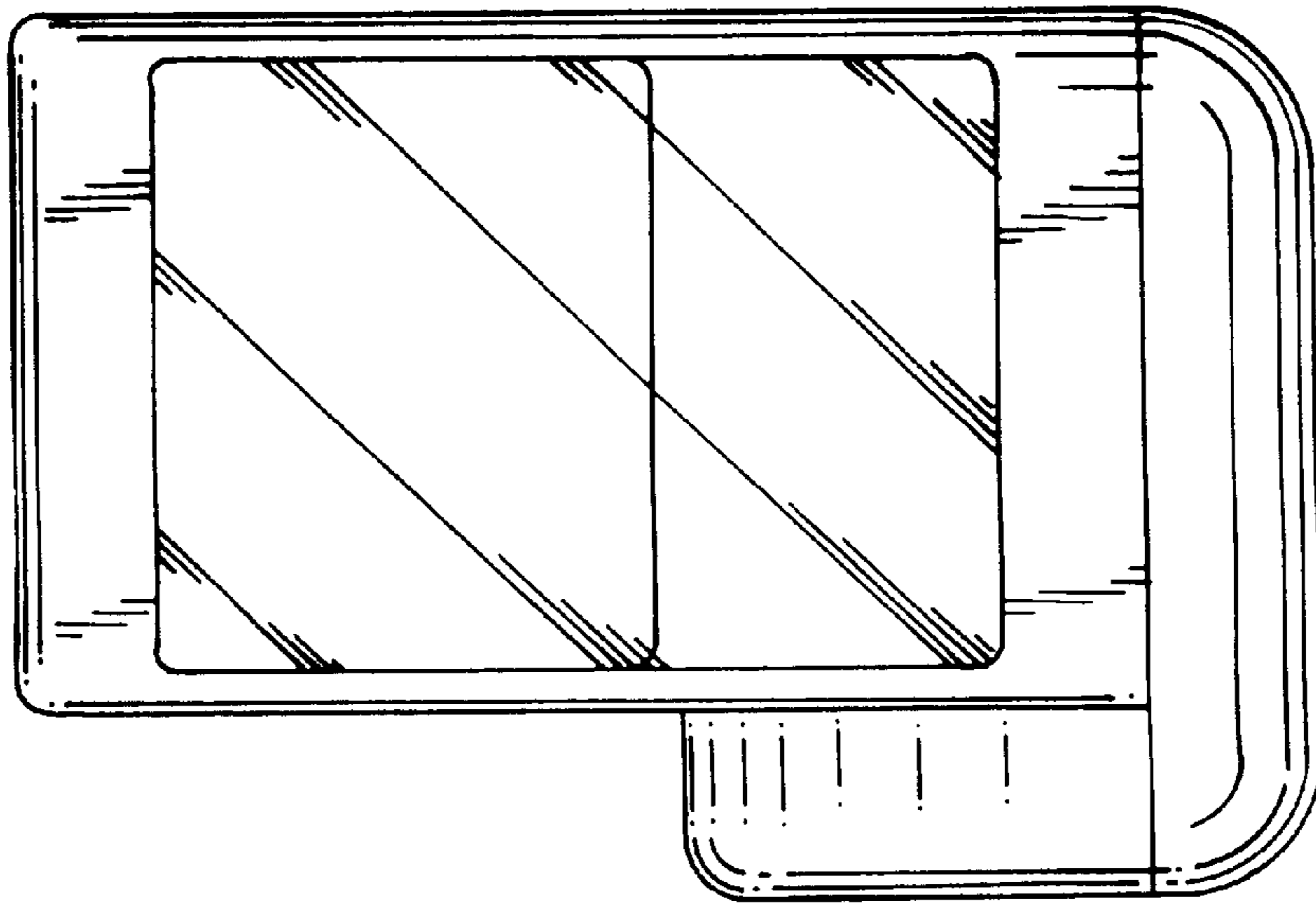
**1 Claim, 8 Drawing Sheets**







*Fig. 2*



*Fig. 3*

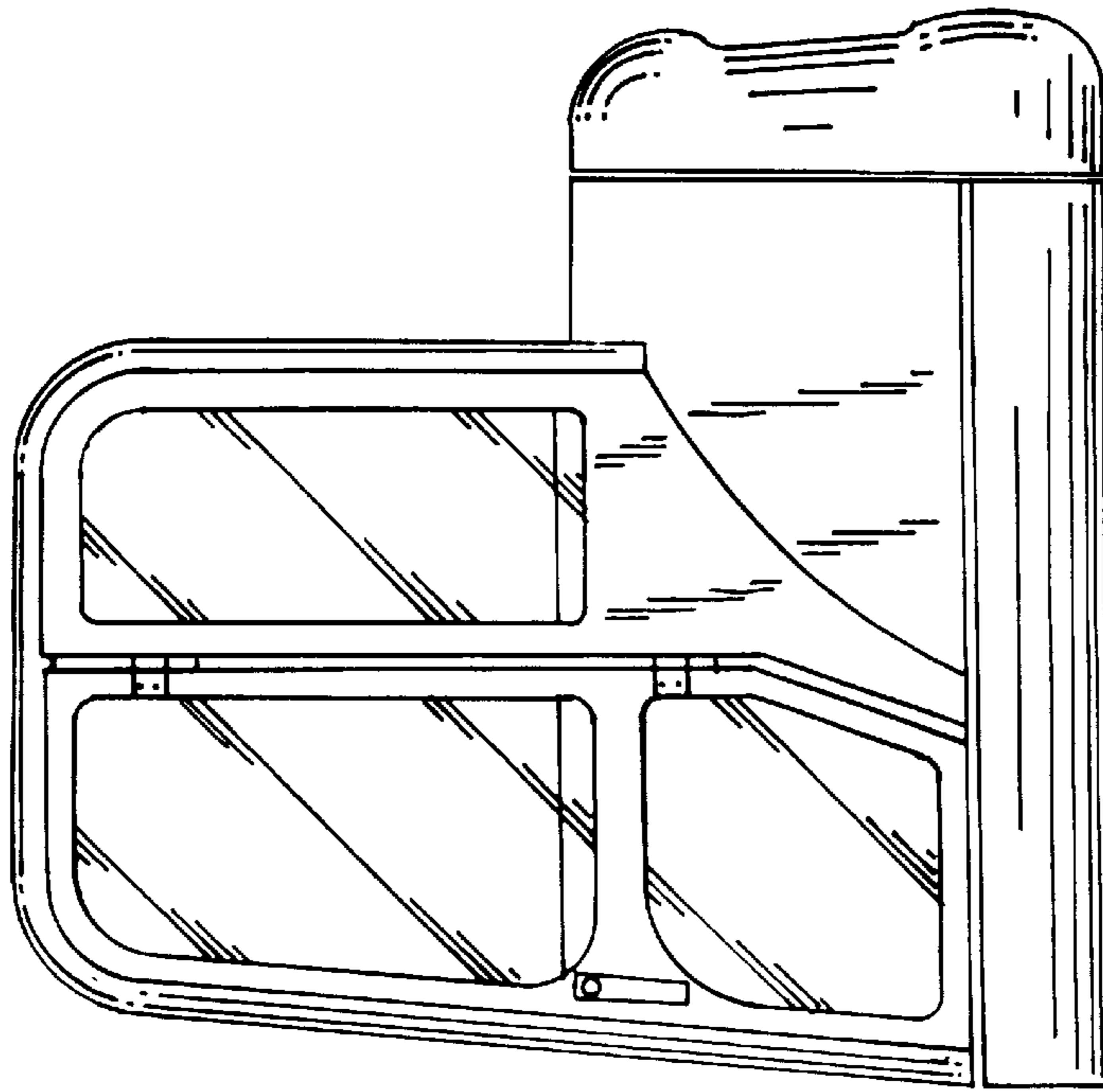


Fig. 5

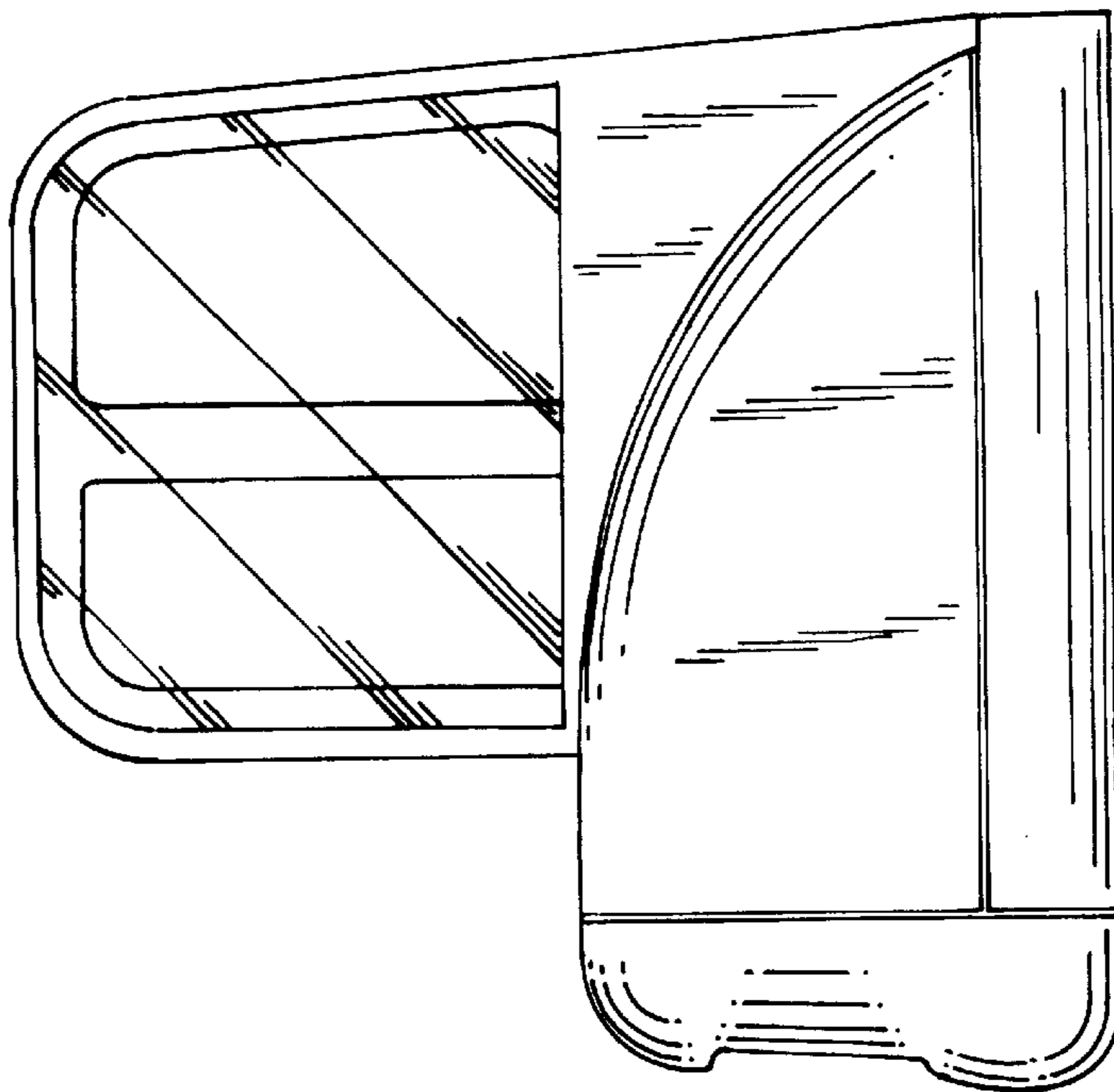
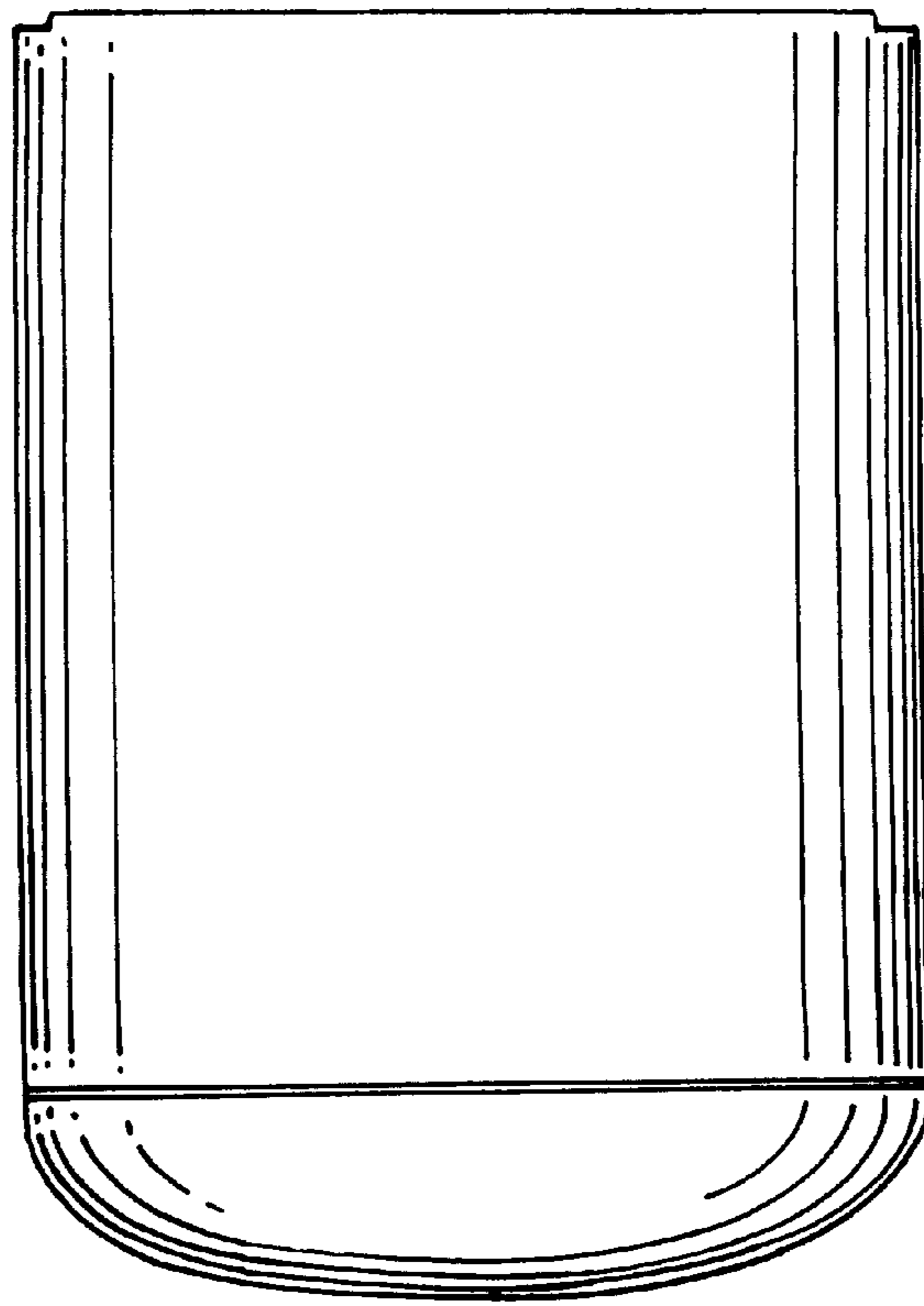
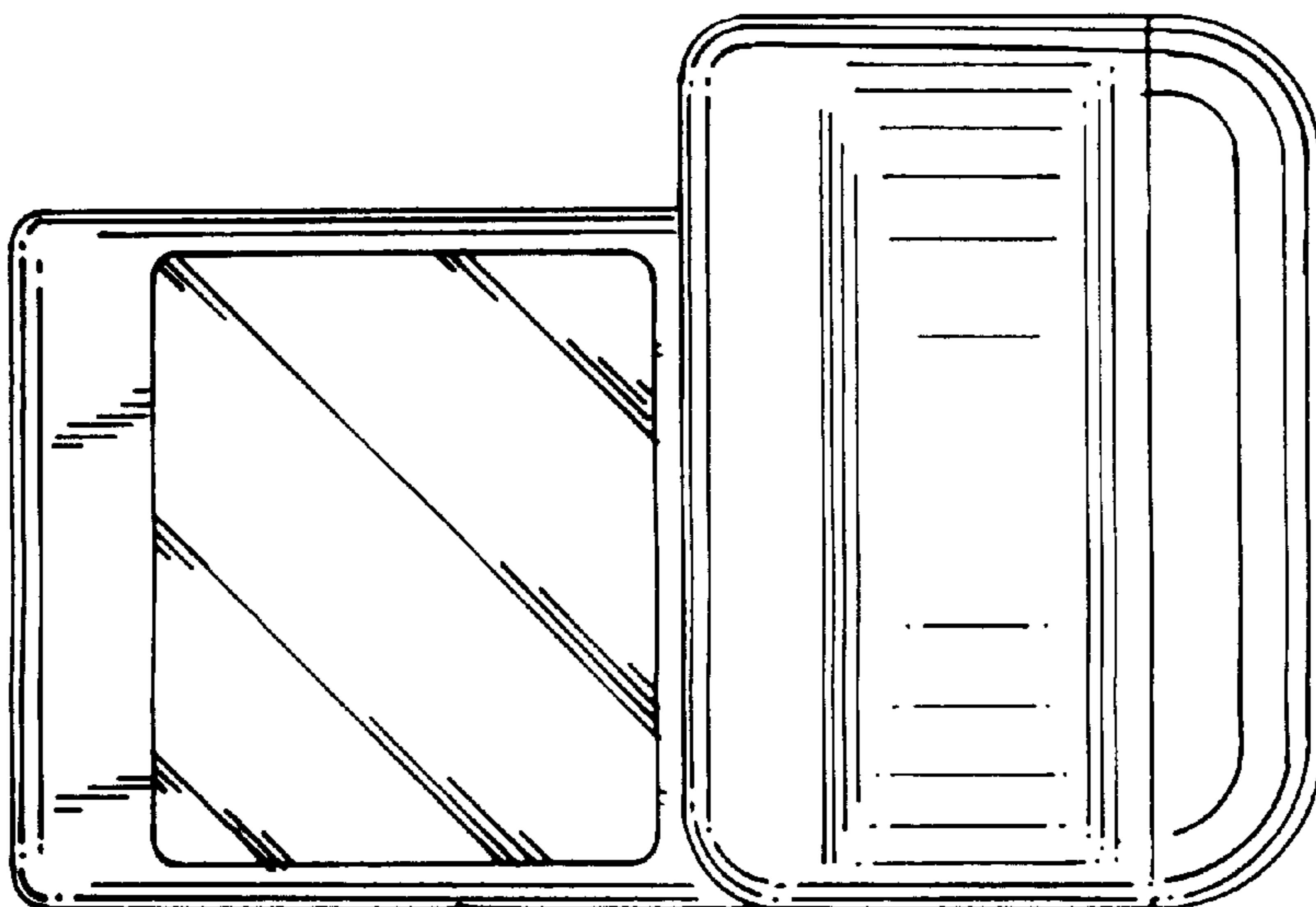


Fig. 4





*Fig. 7*



*Fig. 6*

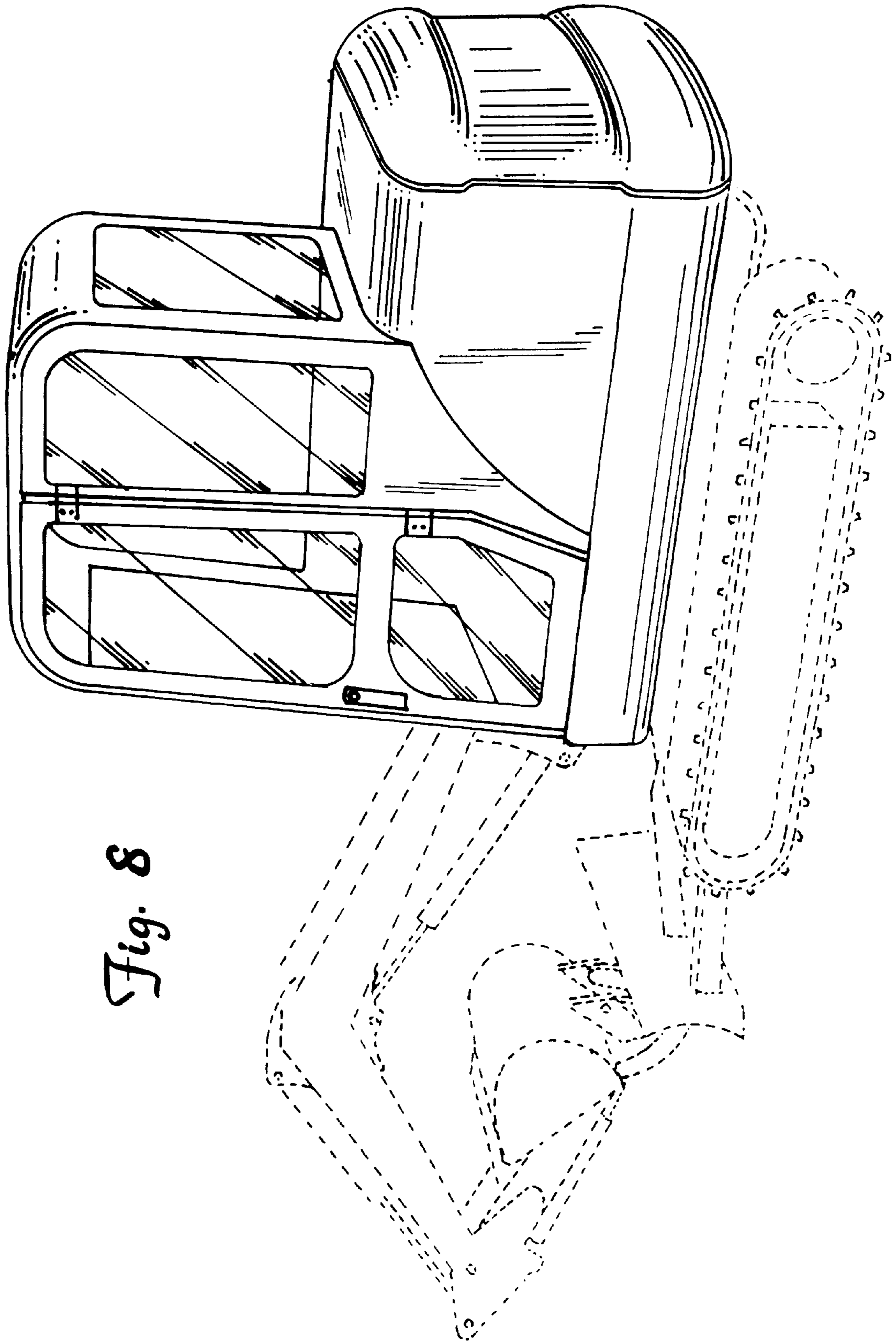
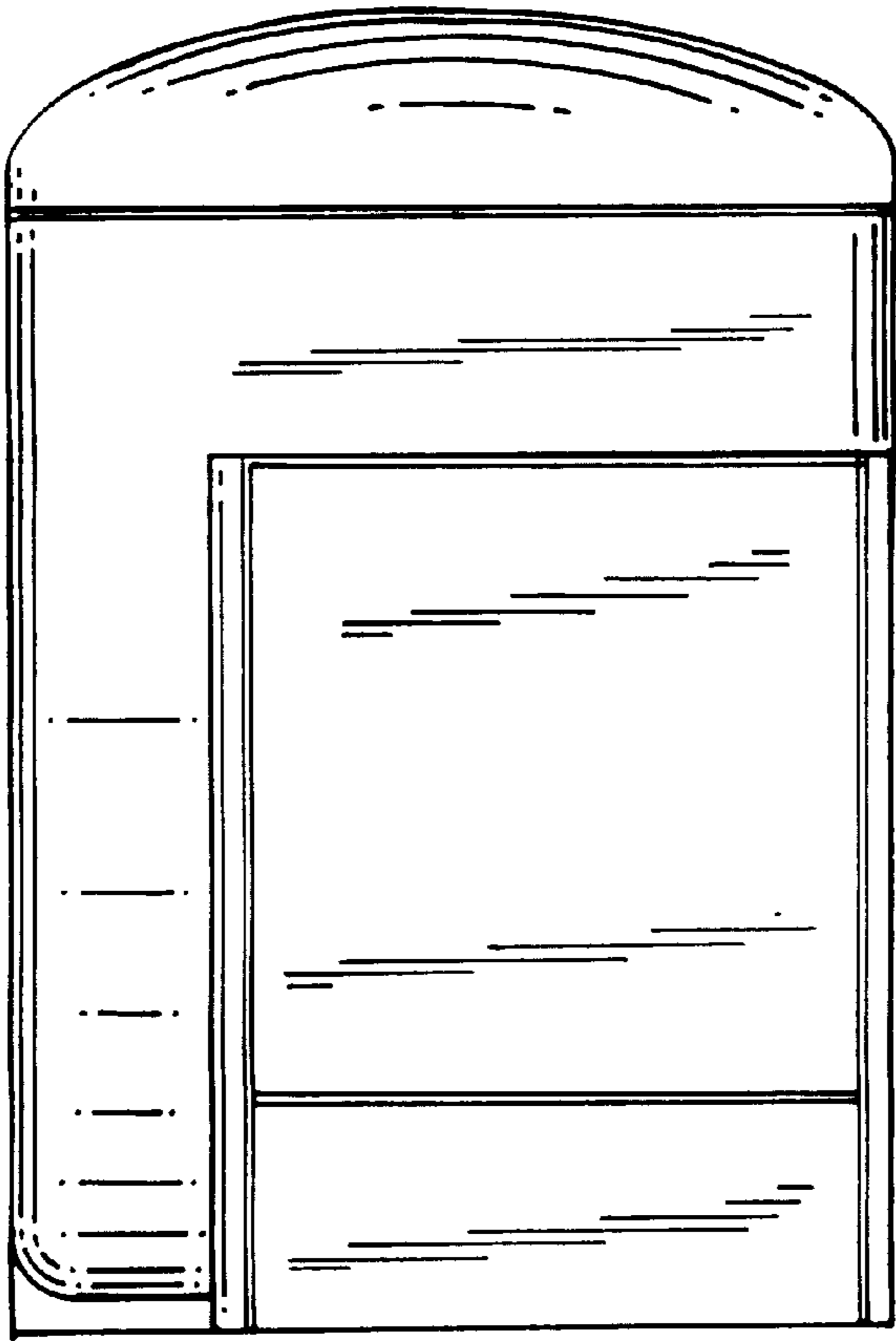
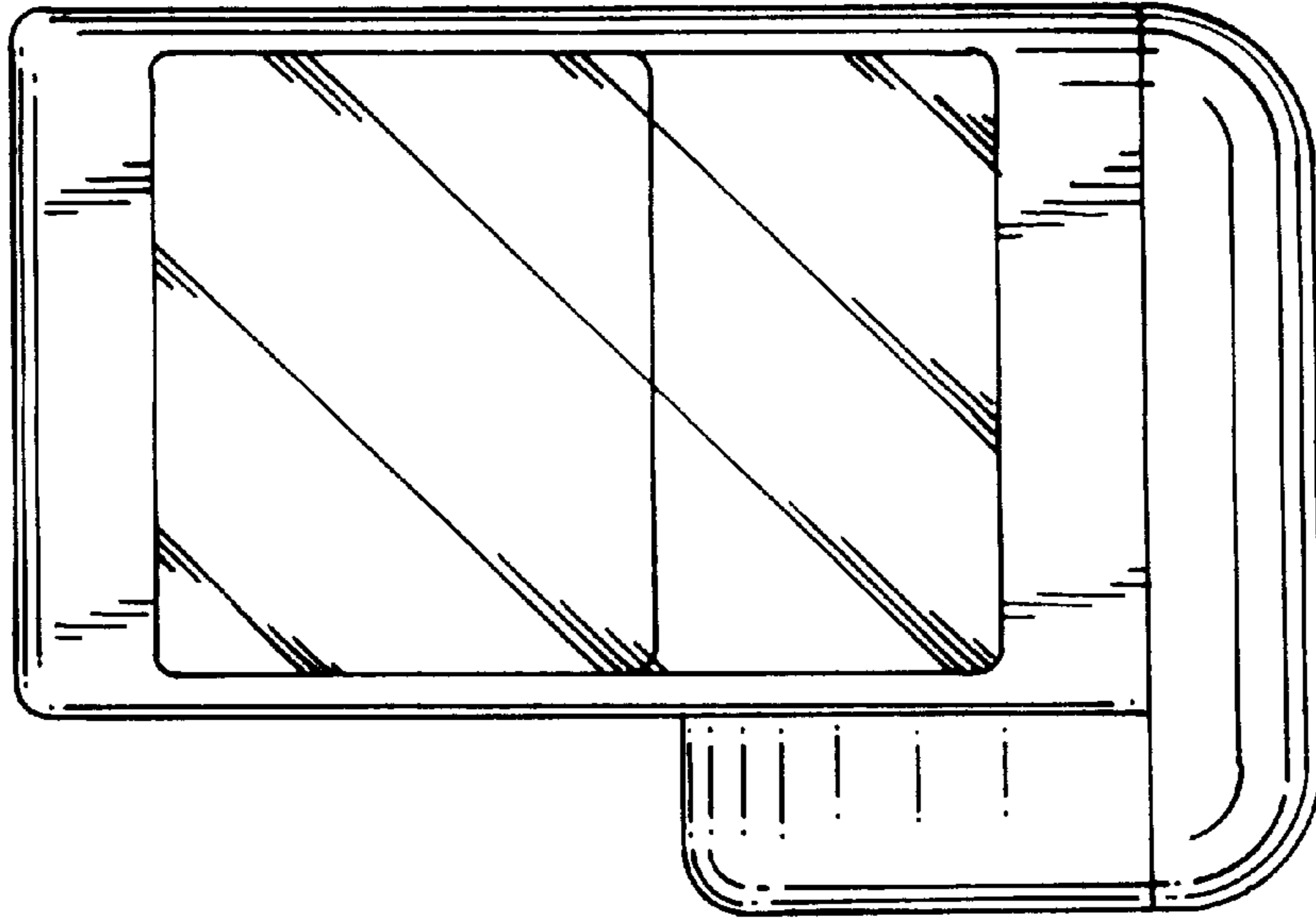


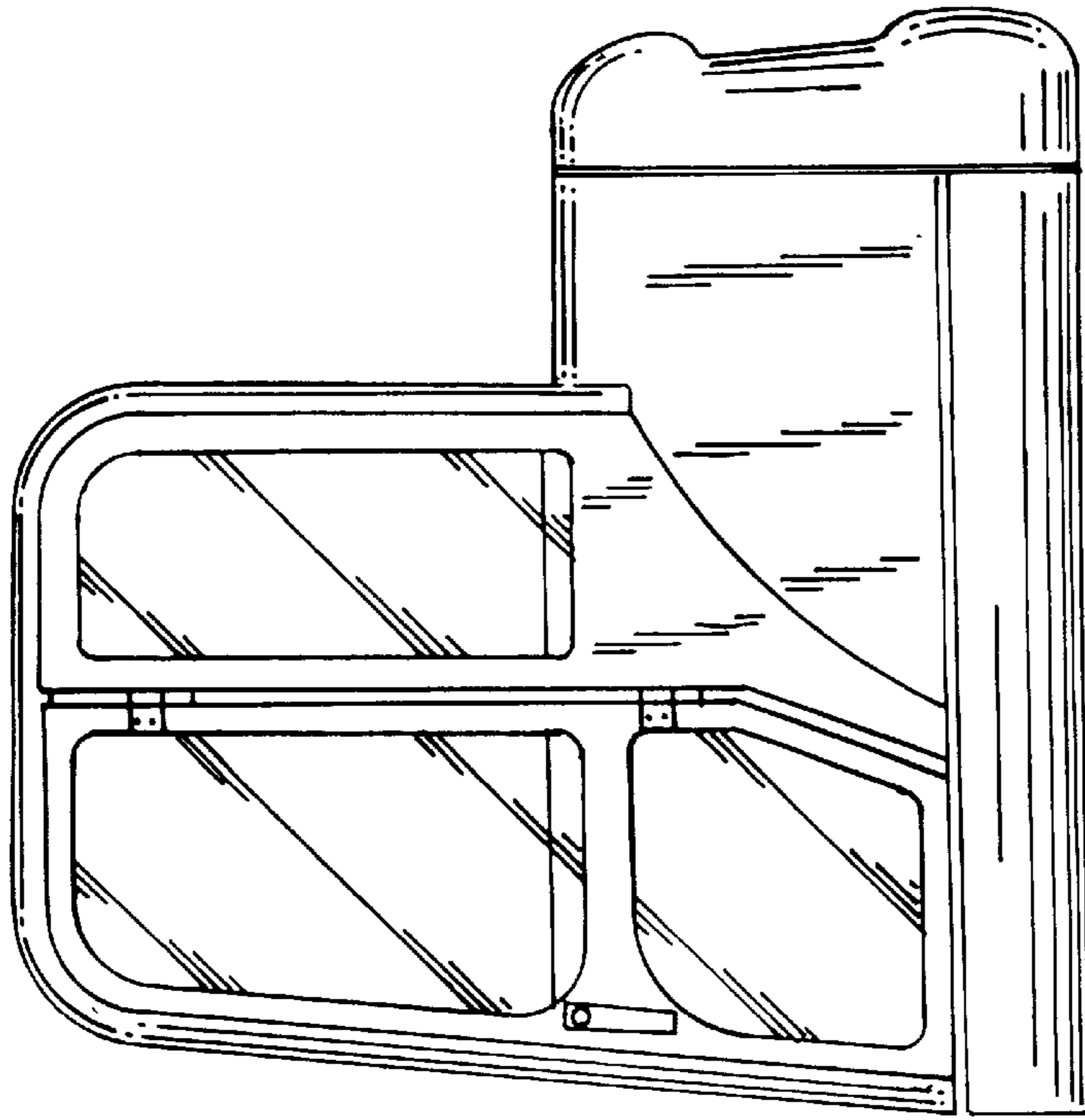
Fig. 8



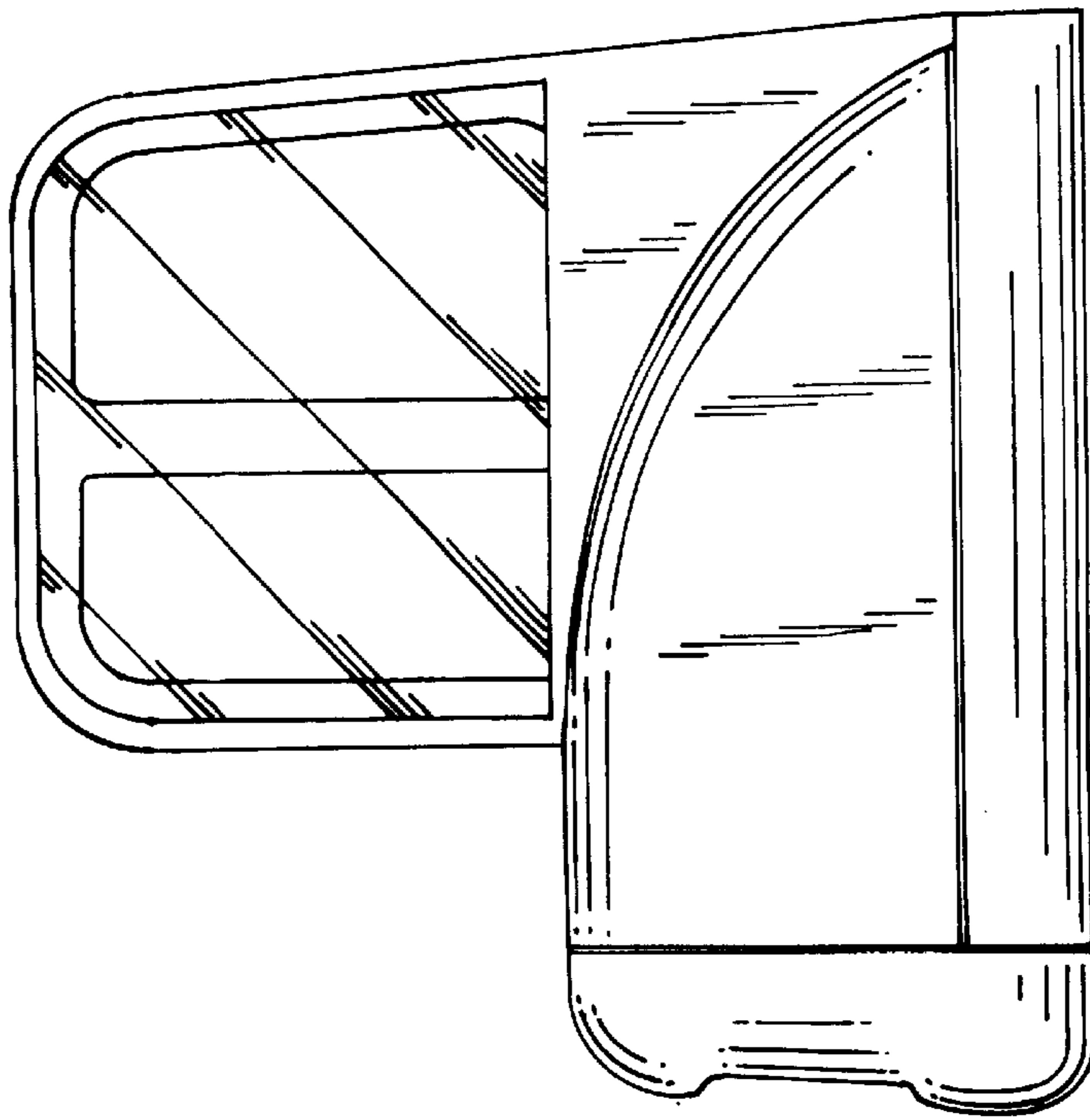
*Fig. 9*



*Fig. 10*

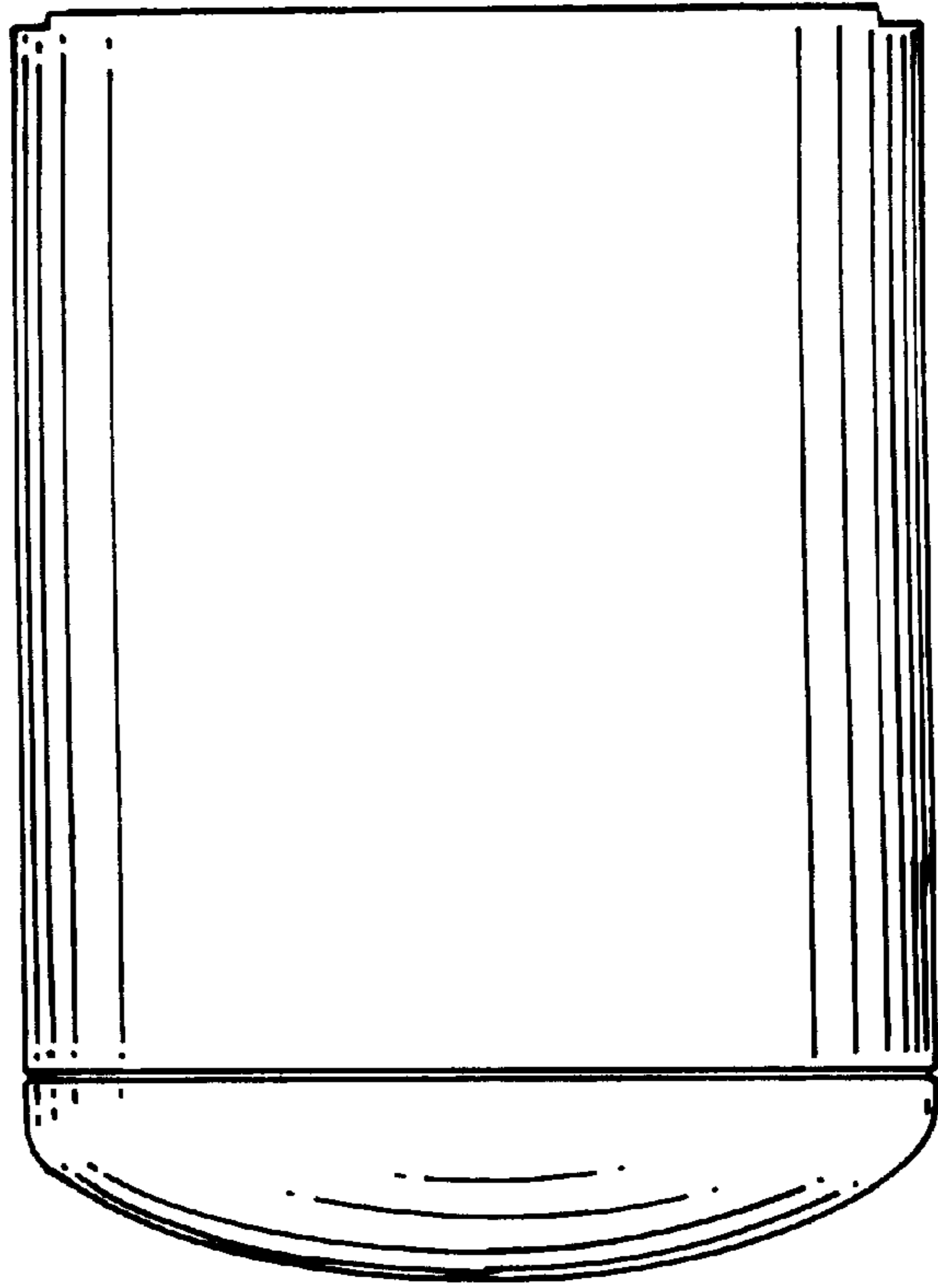


*Fig. 12*

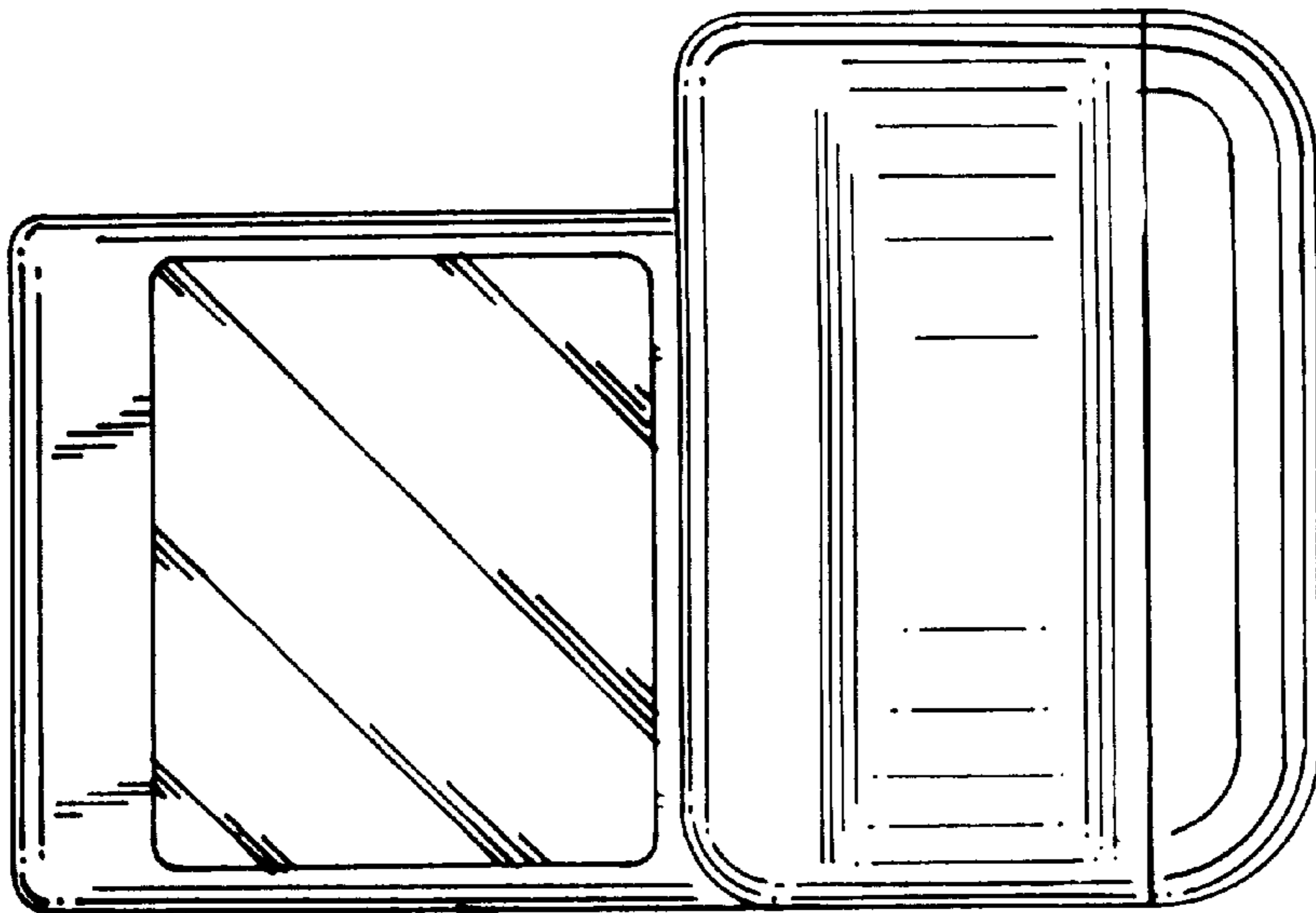


*Fig. 11*





*Fig. 14*



*Fig. 13*

UNITED STATES PATENT AND TRADEMARK OFFICE  
**CERTIFICATE OF CORRECTION**

PATENT NO. : Des. 432,144  
DATED : October 17, 2000  
INVENTOR(S) : Troy D. Kraft et al.

Page 1 of 1

It is certified that error appears in the above-identified patent and that said Letters Patent is hereby corrected as shown below:

Title page,

Item [73], Assignee: cancel "**Clark Equipment Company, Inc.**" and insert  
-- **Clark Equipment Company** --

Signed and Sealed this

Third Day of December, 2002

A handwritten signature in black ink, appearing to read "James E. Rogan", written over a horizontal line.

JAMES E. ROGAN  
*Director of the United States Patent and Trademark Office*