



US00D432139S

United States Patent [19]
Chisenhall

[11] **Patent Number: Des. 432,139**

[45] **Date of Patent: ** Oct. 17, 2000**

[54] **COMPRESSOR FOR VEHICLE AIR
CONDITIONER WITH ATTACHED
COMPRESSOR LINES**

[76] Inventor: **Jack Chisenhall**, 10305 IH 35 N., San
Antonio, Tex. 78233

[**] Term: **14 Years**

[21] Appl. No.: **29/113,922**

[22] Filed: **Nov. 12, 1999**

[51] **LOC (7) Cl.** **15-02**

[52] **U.S. Cl.** **D15/9**

[58] **Field of Search** D15/5, 7, 9; D23/324,
D23/325, 352, 354, 163, 365; 417/415,
234, 539, 222.1, 231, 205, 360, 570, 572;
418/259, 63

[56] **References Cited**

U.S. PATENT DOCUMENTS

- D. 274,750 7/1984 Taylor D23/163
- D. 284,694 7/1986 Taylor D23/163
- D. 293,604 1/1988 Anderson D23/365

- D. 296,466 6/1988 Gratton D23/324
- D. 352,291 11/1994 Ikeda et al. D15/7
- D. 356,862 3/1995 Ito et al. D23/325
- D. 373,366 9/1996 Wada et al. D15/9
- D. 381,993 8/1997 Takenaka et al. D15/9
- D. 405,095 2/1999 Wada D15/5
- D. 417,266 11/1999 Ito et al. D23/325

Primary Examiner—Ralf Seifert
Attorney, Agent, or Firm—Cox & Smith Incorporated

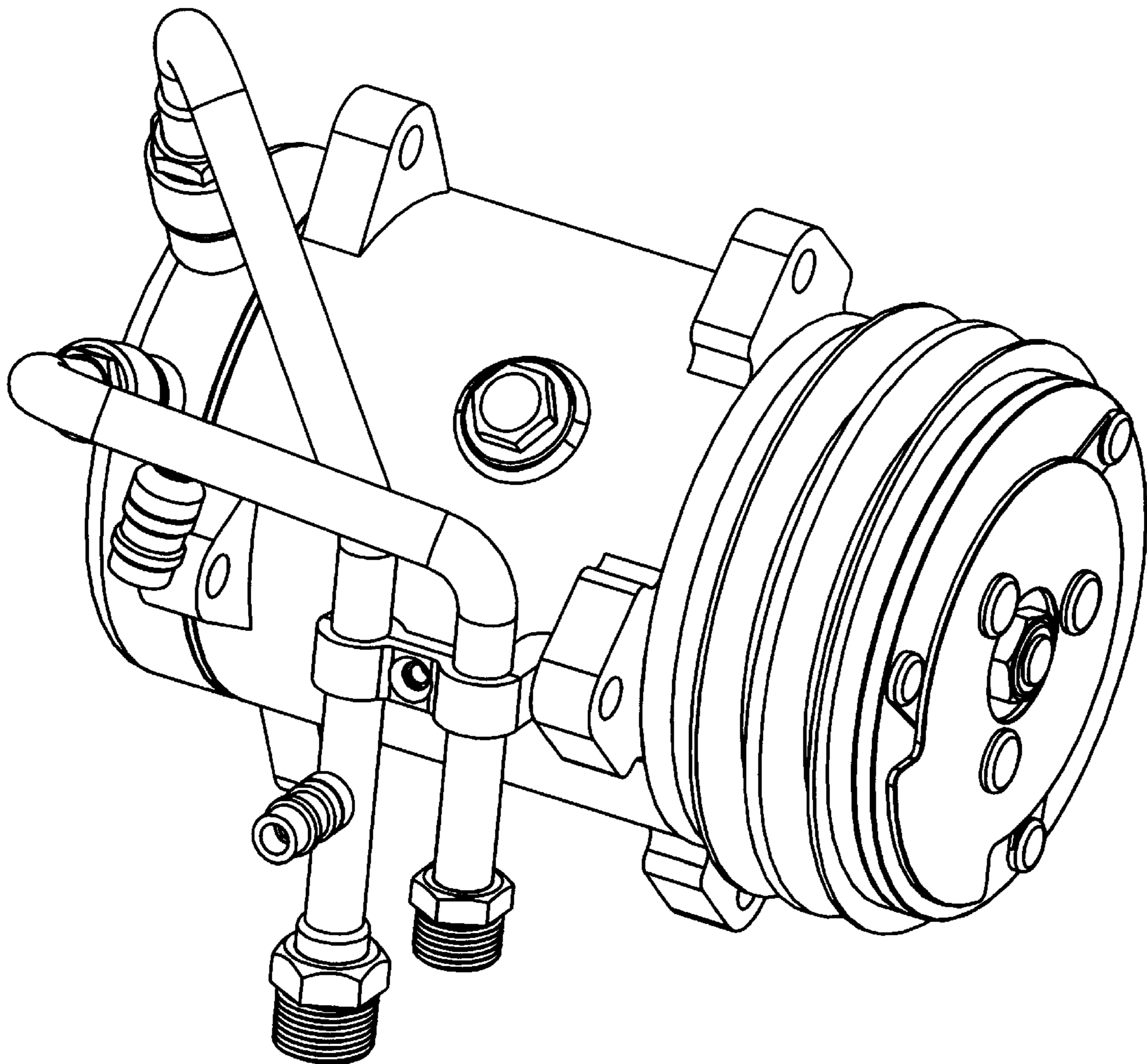
[57] **CLAIM**

The ornamental design for a compressor for vehicle air conditioner with attached compressor lines, as shown.

DESCRIPTION

FIG. 1 is a front left perspective view showing my new design for a compressor with attached lines. FIG. 2 is a rear left perspective view thereof; FIG. 3 is a side view thereof; FIG. 4 is a top view thereof; FIG. 5 is a bottom view thereof; FIG. 6 is a front end view thereof; and, FIG. 7 is a rear end view thereof.

1 Claim, 7 Drawing Sheets



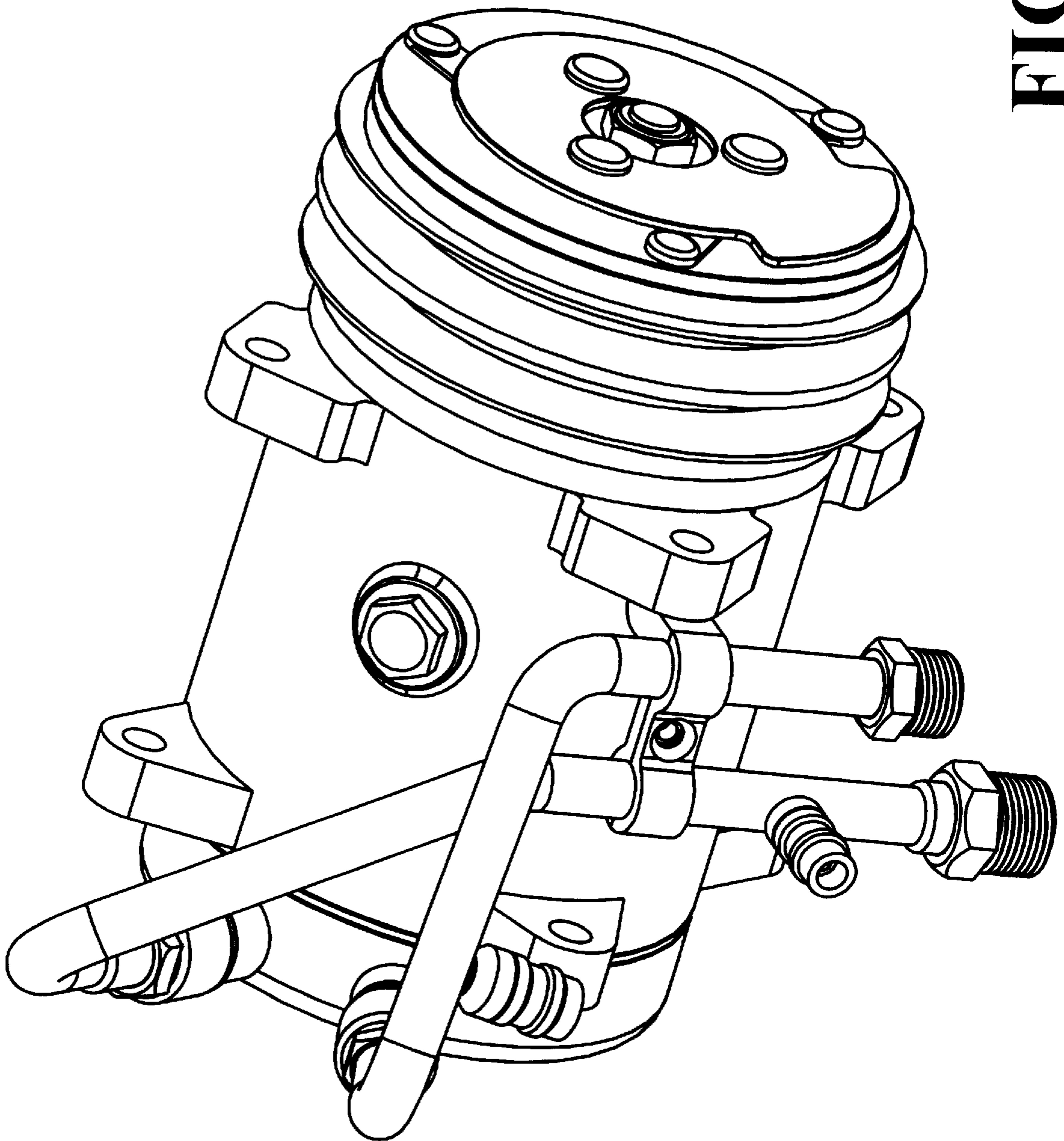


FIG. 1

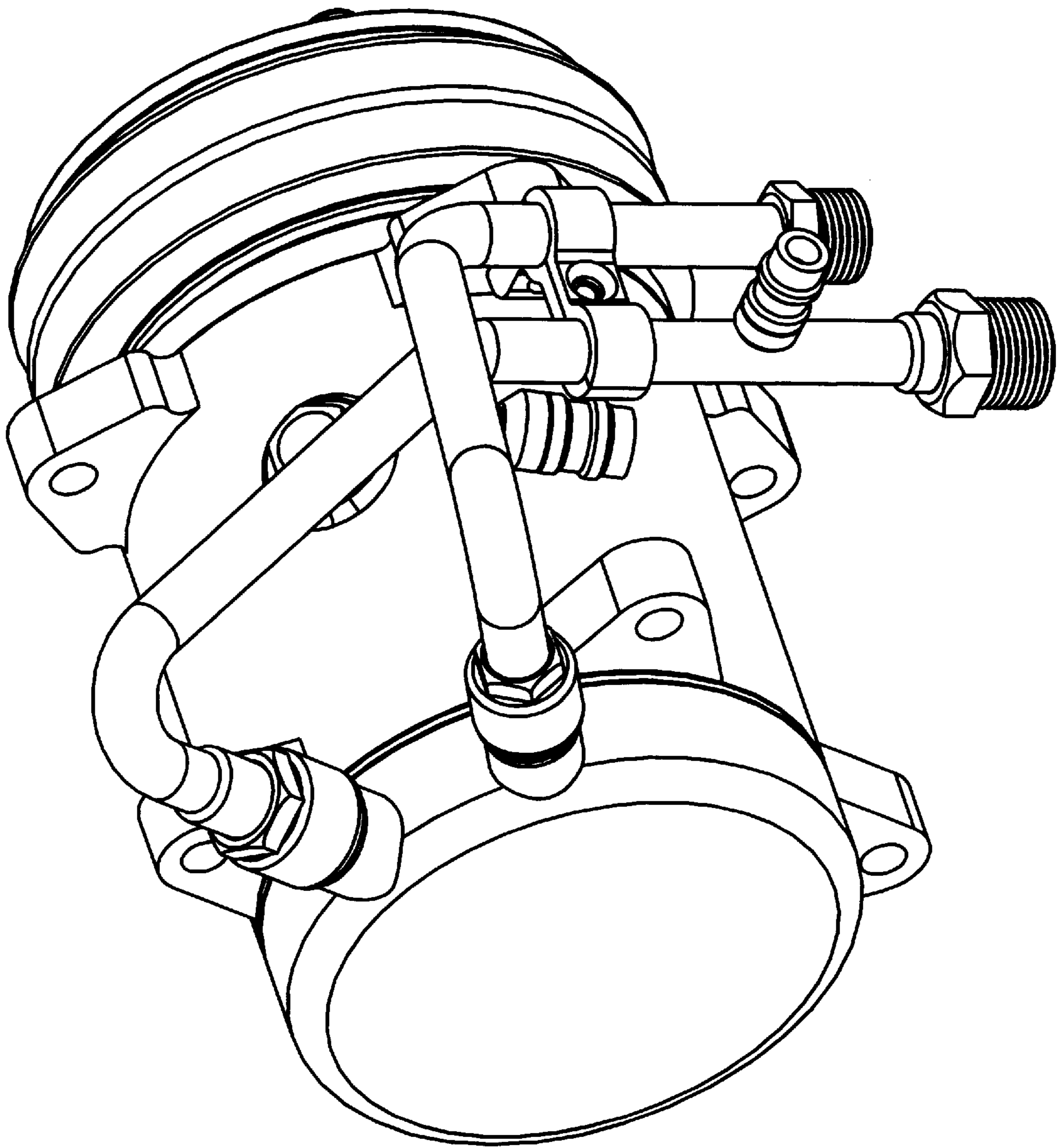


FIG. 2

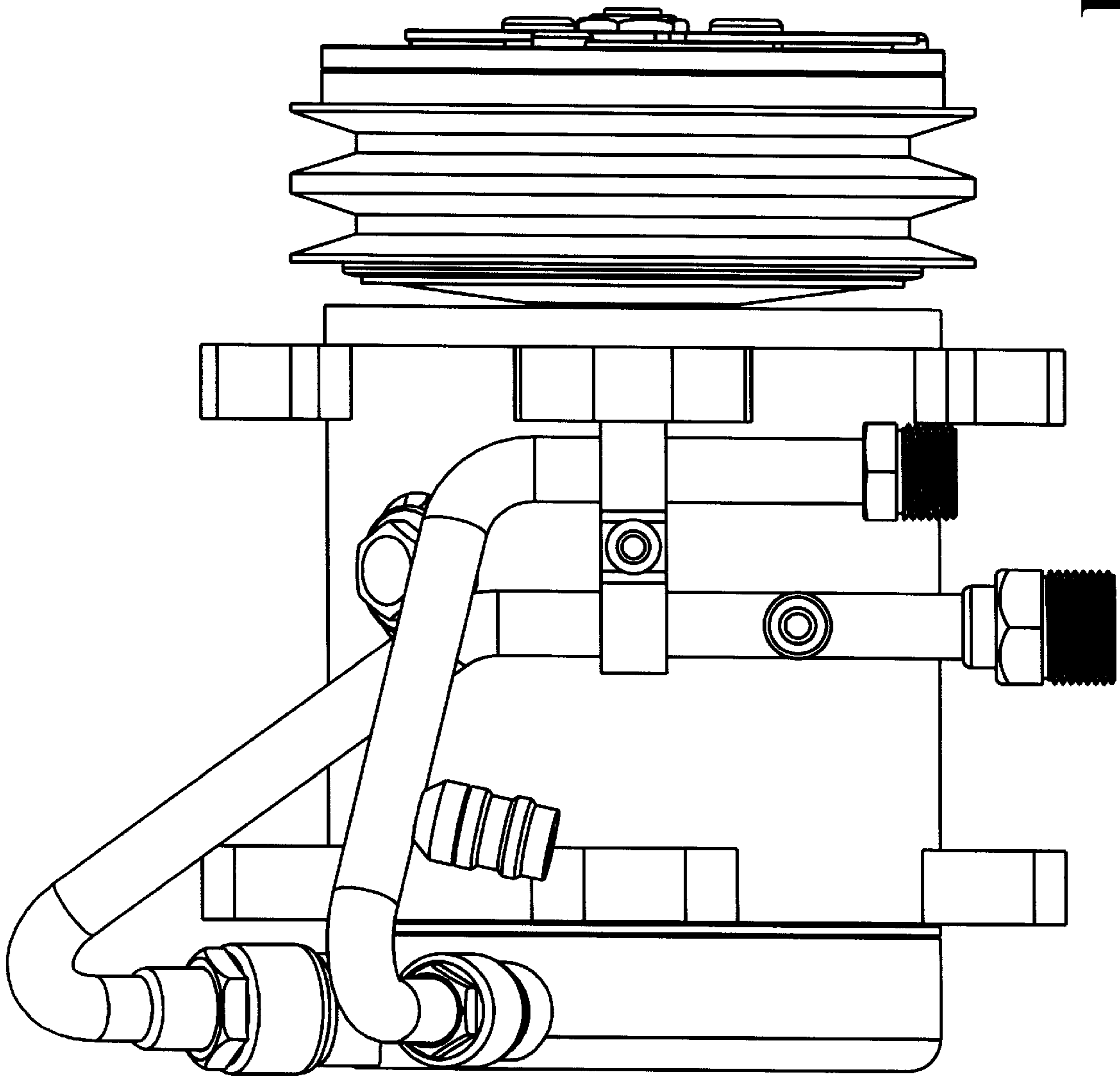


FIG. 3

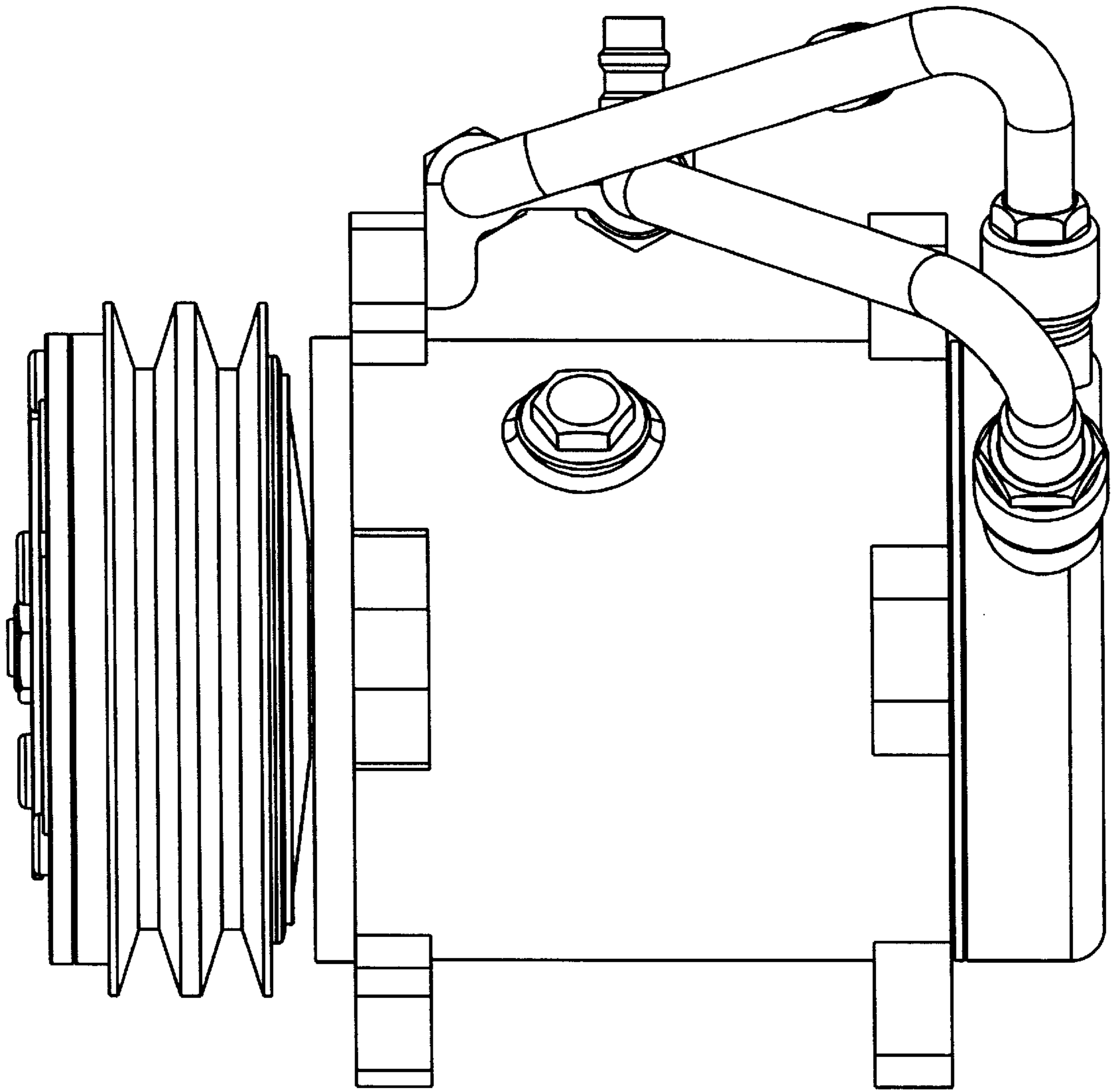


FIG. 4

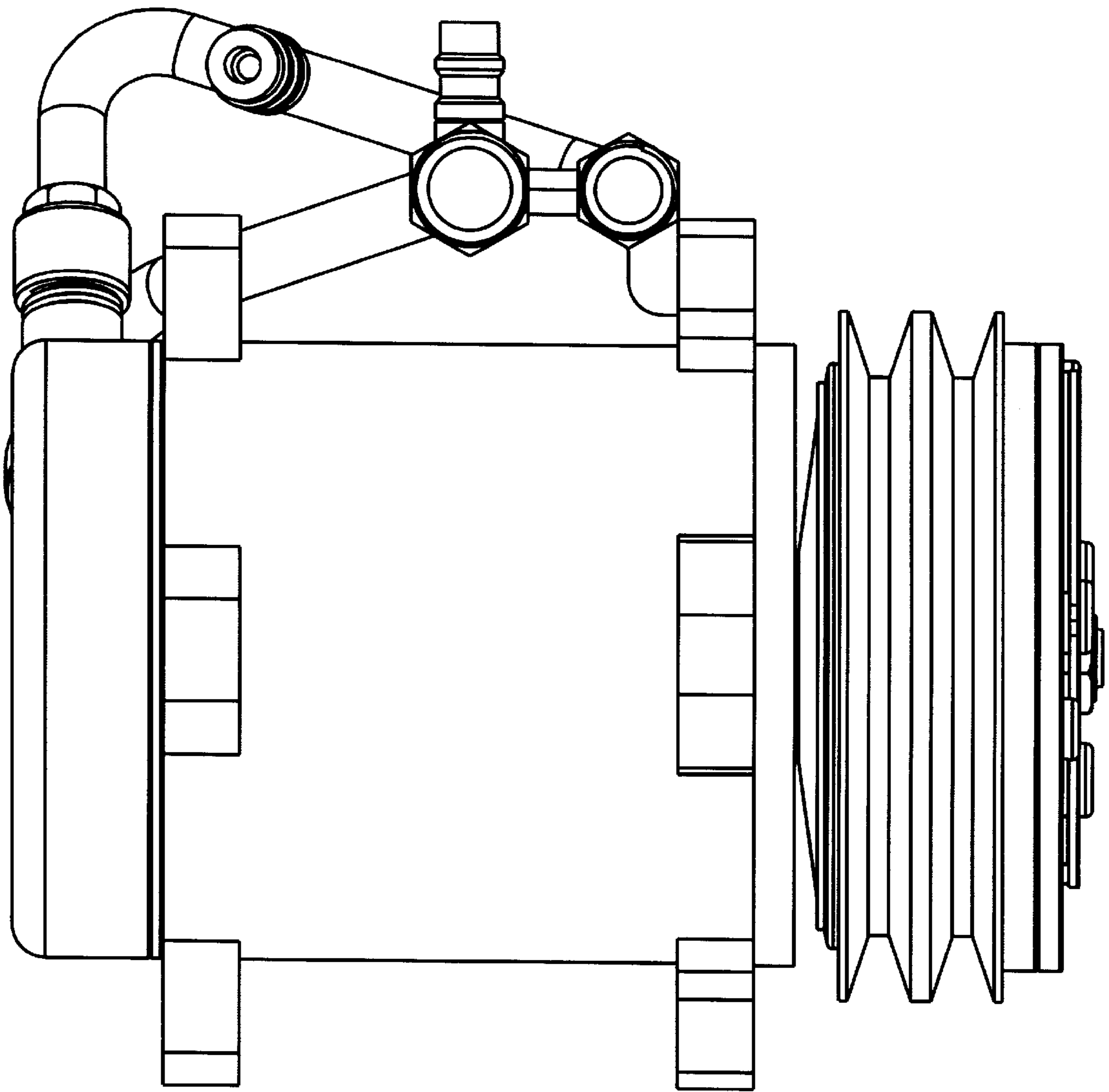


FIG. 5

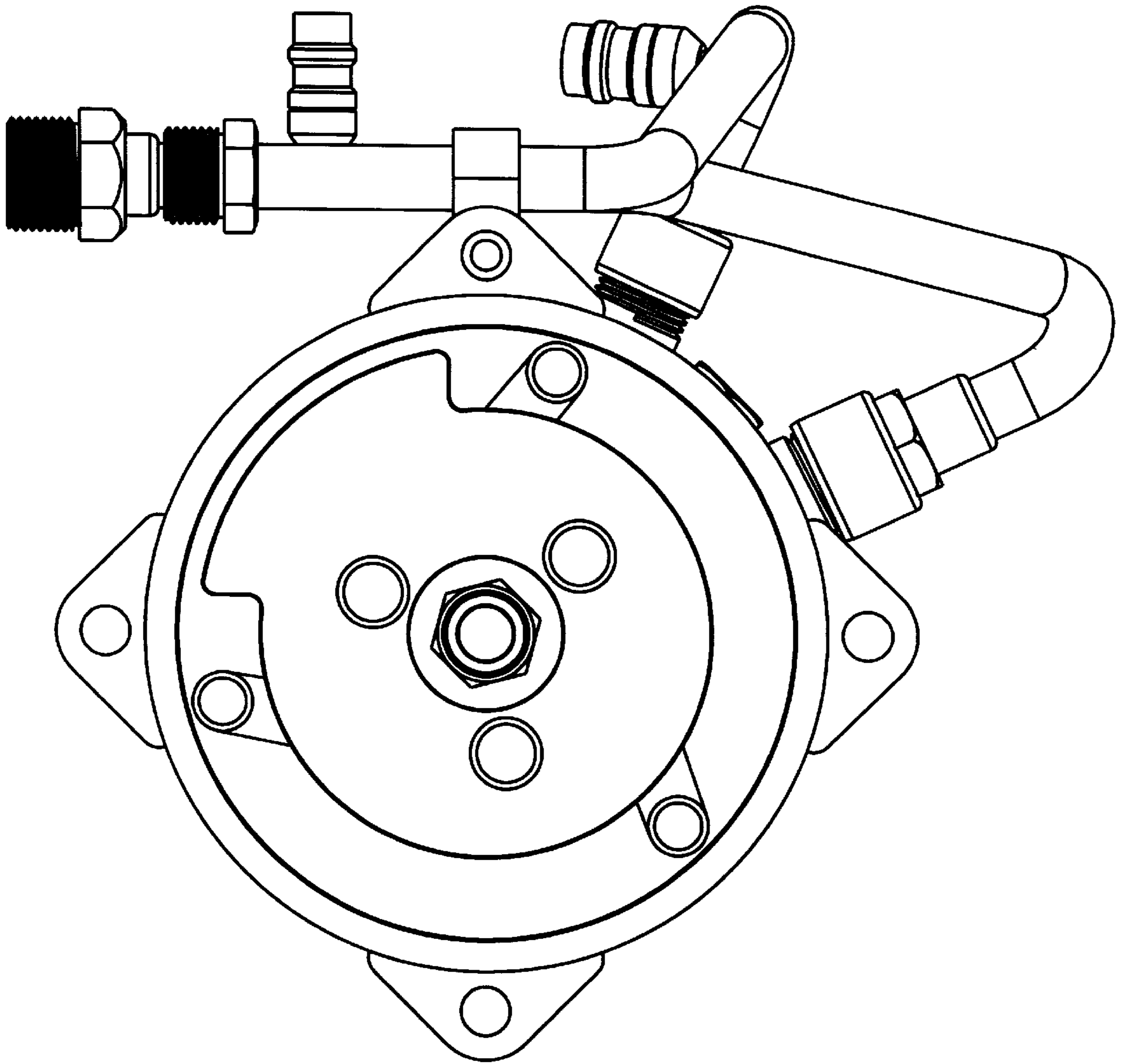


FIG. 6

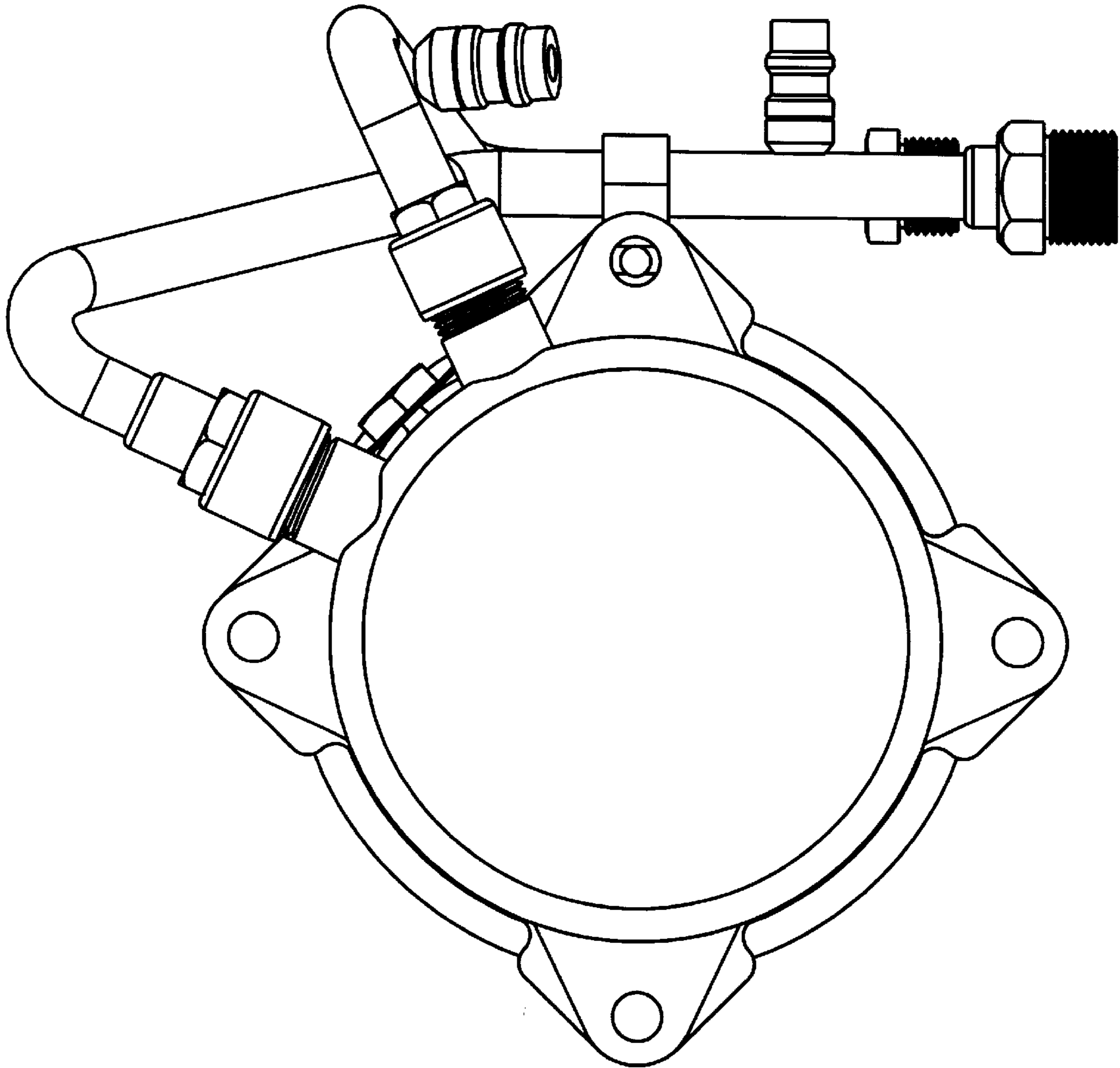


FIG. 7