



US00D432138S

# United States Patent [19]

Scarth et al.

[11] Patent Number: Des. 432,138

[45] Date of Patent: \*\* Oct. 17, 2000

[54] **POWERED AIR INFLATOR**

[75] Inventors: **Brian Michael Scarth**, Fairfield; **Bryan Lee Thomas**, Cincinnati, both of Ohio

[73] Assignee: **Campbell Hausfeld/Scott Fetzer Company**, Harrison, Ohio

[\*\*] Term: **14 Years**

[21] Appl. No.: **29/115,680**

[22] Filed: **Dec. 17, 1999**

[51] **LOC (7) Cl.** ..... **15-02**

[52] **U.S. Cl.** ..... **D15/7**

[58] **Field of Search** ..... D15/7-9; D10/86; D21/548, 551, 559; D23/231, 232; 73/146.8; 137/227, 228

[56] **References Cited**

**U.S. PATENT DOCUMENTS**

- D. 277,494 2/1985 Lerch ..... D21/559
- D. 312,488 11/1990 Kwan ..... D21/551
- D. 377,956 2/1997 Chuang ..... D21/548
- D. 402,997 12/1998 Campbell et al. .... D15/7

*Primary Examiner*—Ralf Seifert  
*Attorney, Agent, or Firm*—Jones, Day, Reavis & Pogue

[57] **CLAIM**

We claim the ornamental design for a powered air inflator, as shown.

**DESCRIPTION**

FIG. 1 is an orthogonal view of a powered air inflator comprising a first embodiment of the ornamental design of the present invention;

FIG. 2 is a side view of the inflator of FIG. 1, the opposite side view being a mirror image;

FIG. 3 is a front view of the inflator of FIG. 1;

FIG. 4 is a rear view of the inflator of FIG. 1;

FIG. 5 is a top view of the inflator of FIG. 1;

FIG. 6 is a bottom view of the inflator of FIG. 1;

FIG. 7 is an orthogonal view of a powered air inflator comprising a second embodiment of the ornamental design of the present invention;

FIG. 8 is a side view of the inflator of FIG. 7, the opposite side view being a mirror image;

FIG. 9 is a front view of the inflator of FIG. 7;

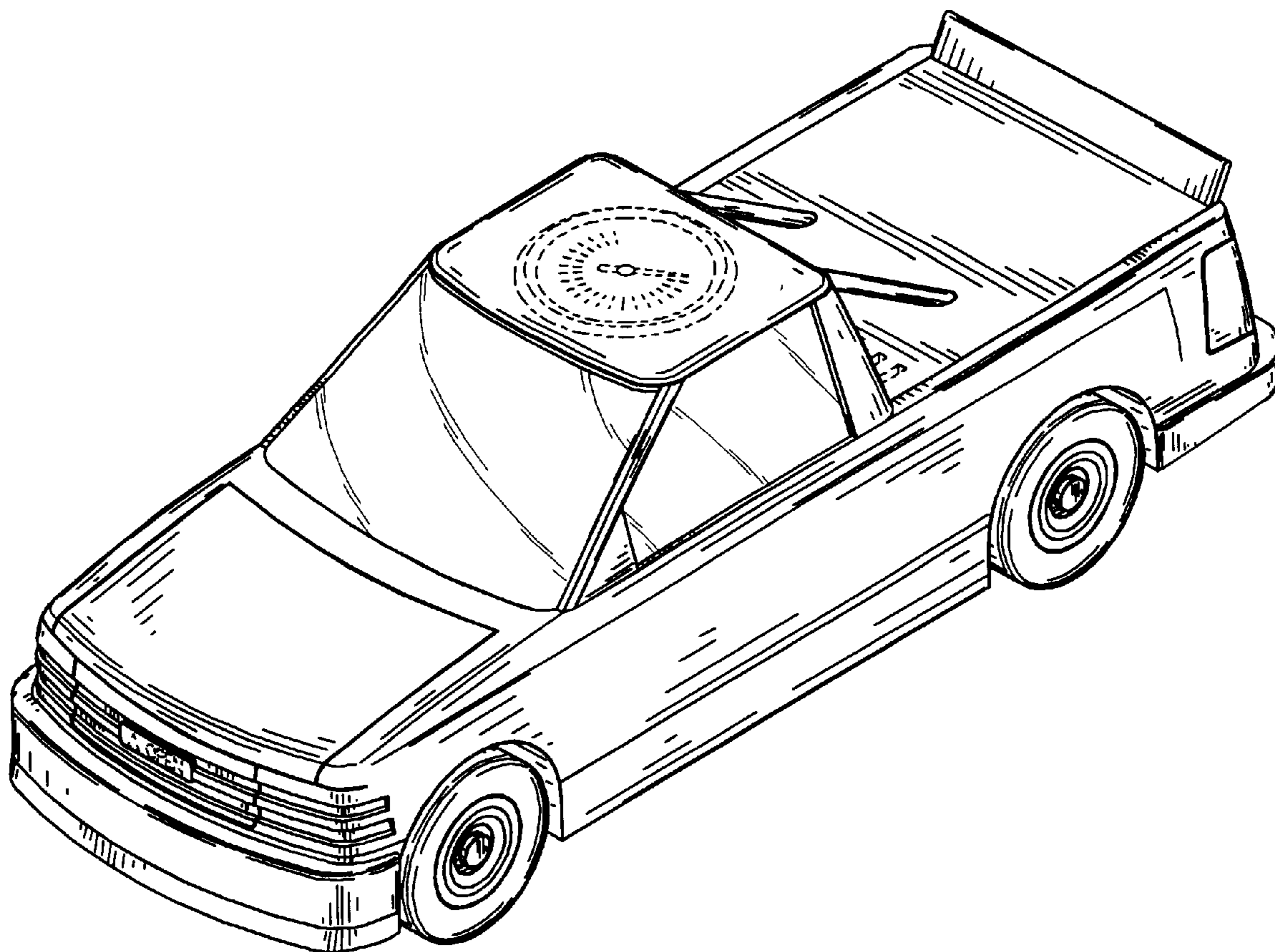
FIG. 10 is a rear view of the inflator of FIG. 7;

FIG. 11 is a top view of the inflator of FIG. 7; and,

FIG. 12 is a bottom view of the inflator of FIG. 7.

The broken line showings in the drawings are for illustrative purposes only and form no part of the claimed design.

**1 Claim, 4 Drawing Sheets**



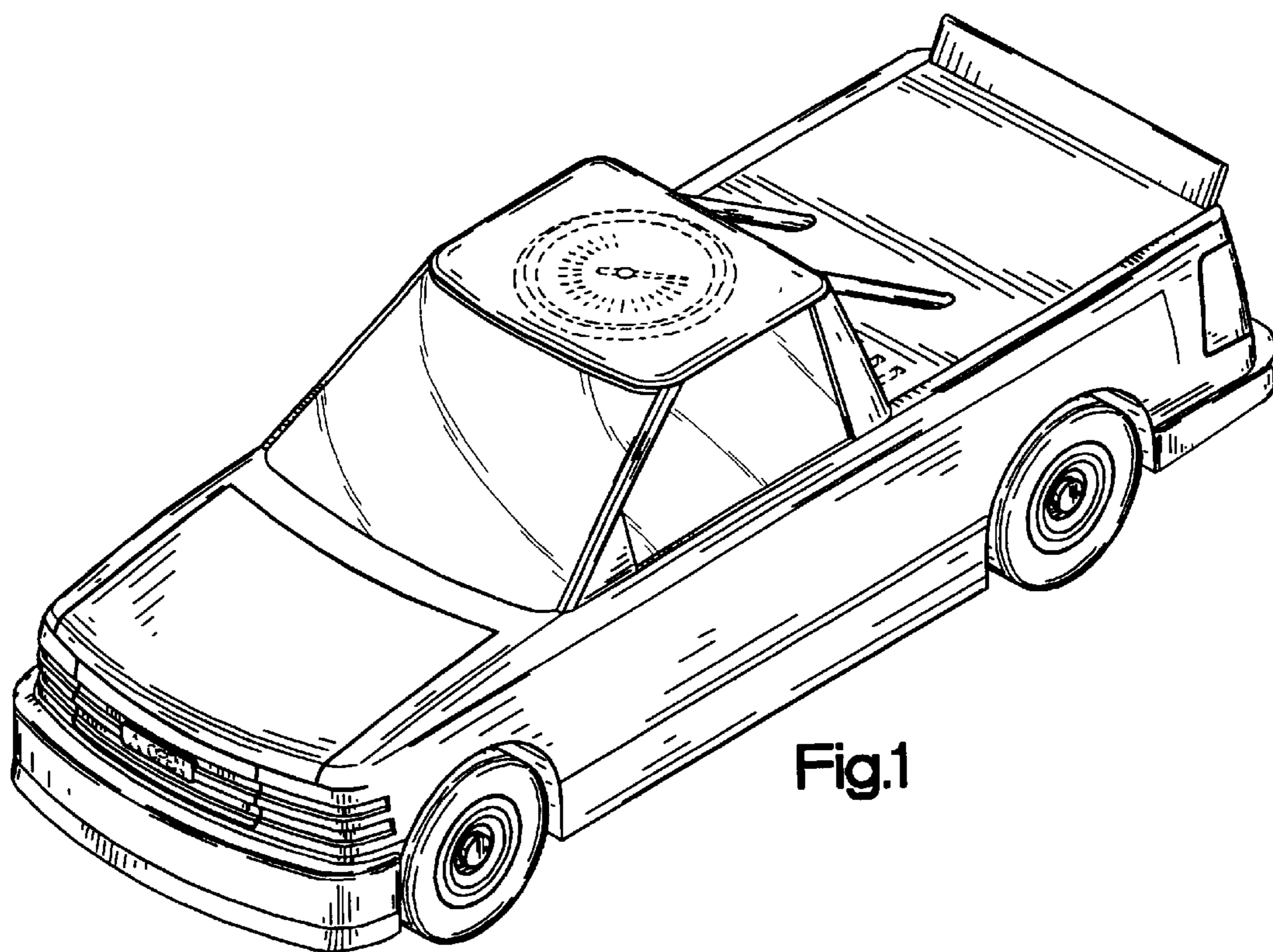


Fig.1

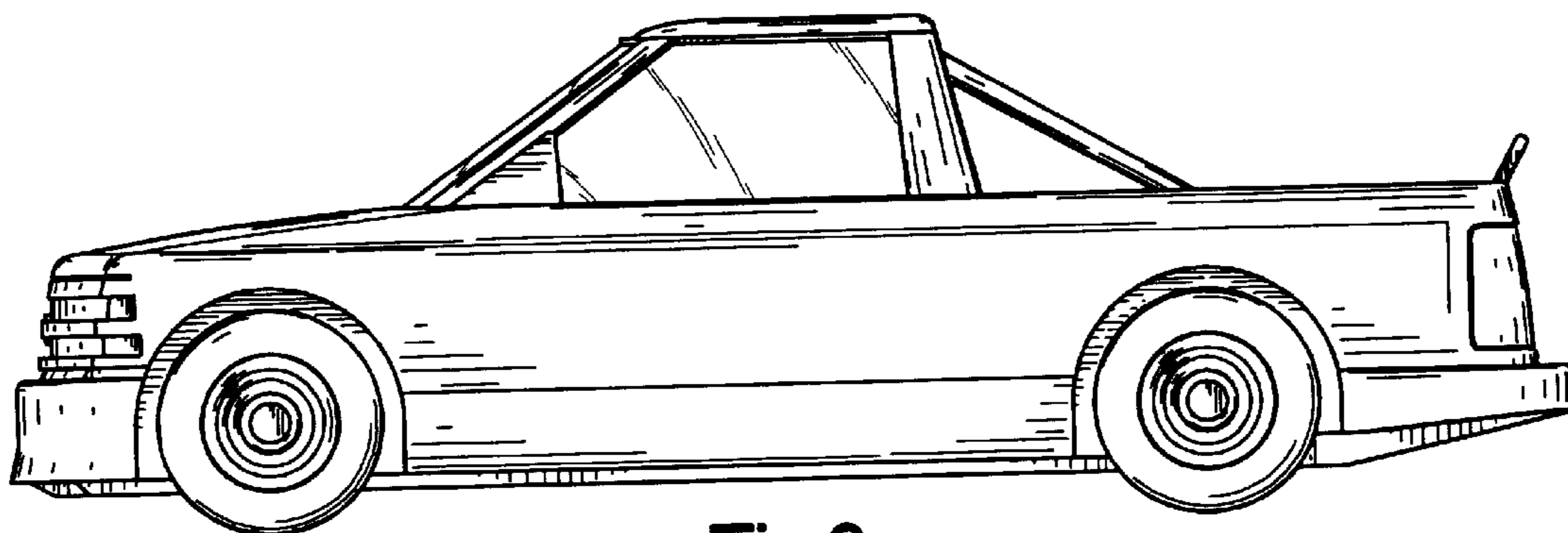


Fig.2

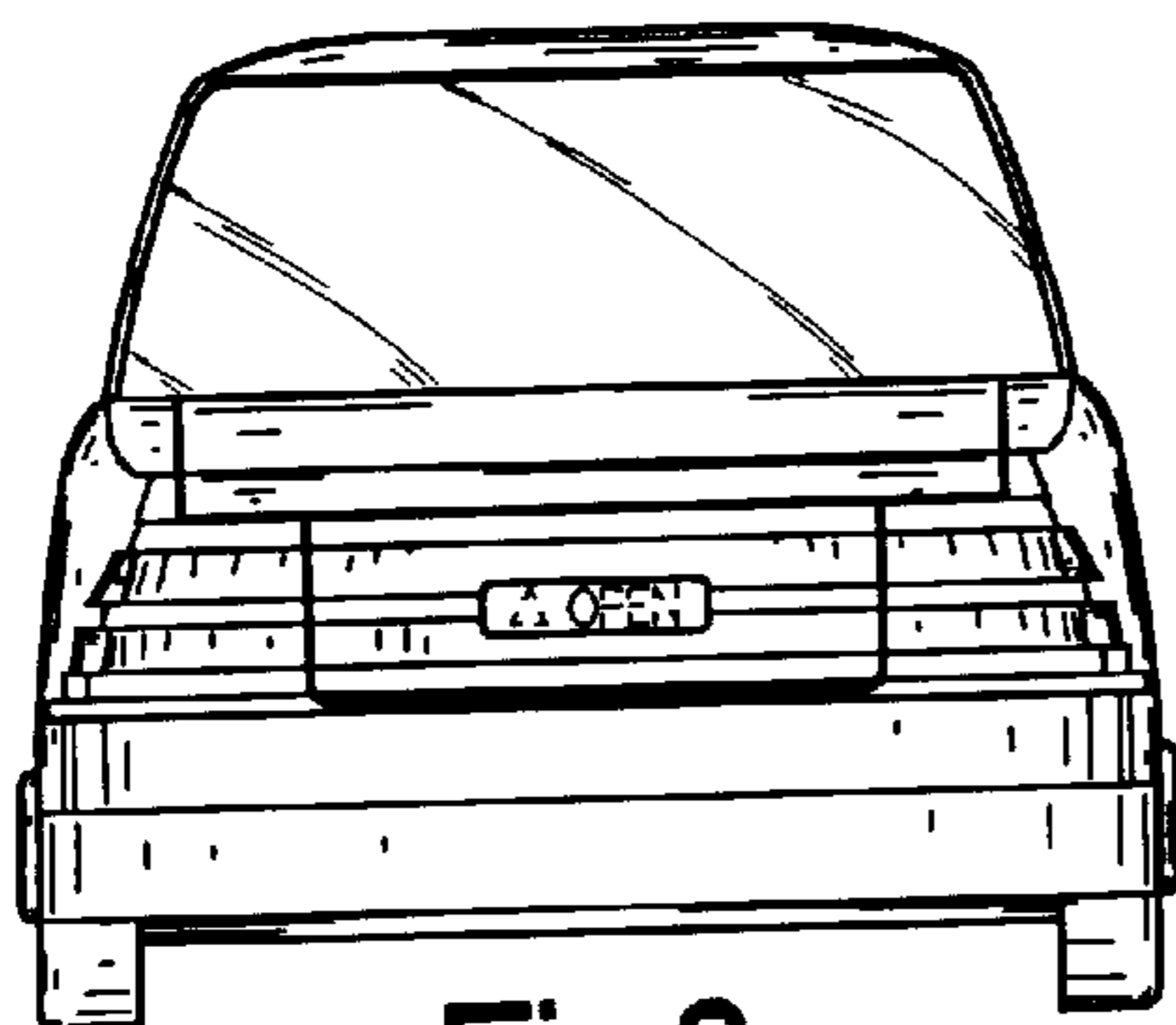


Fig.3

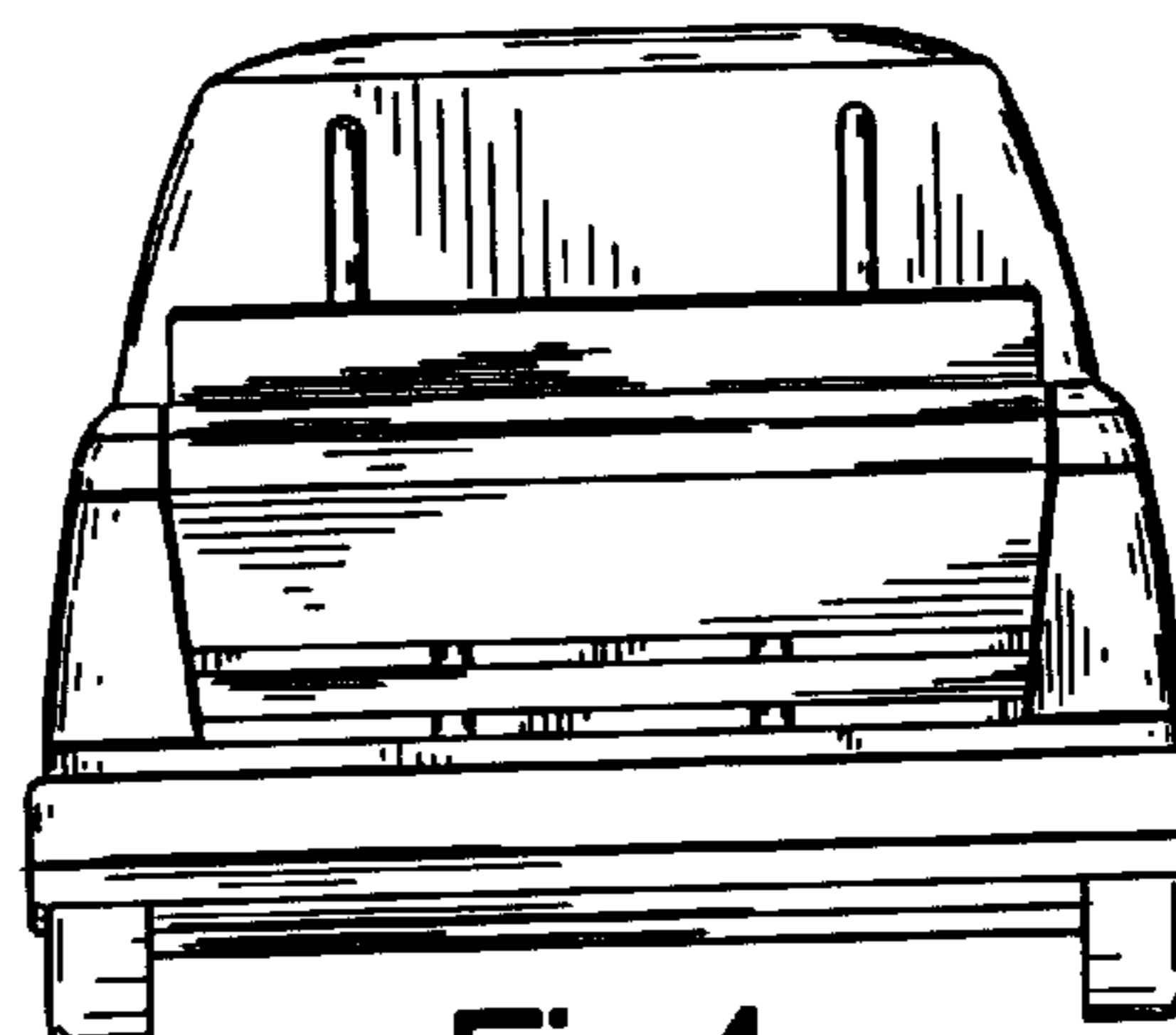


Fig.4

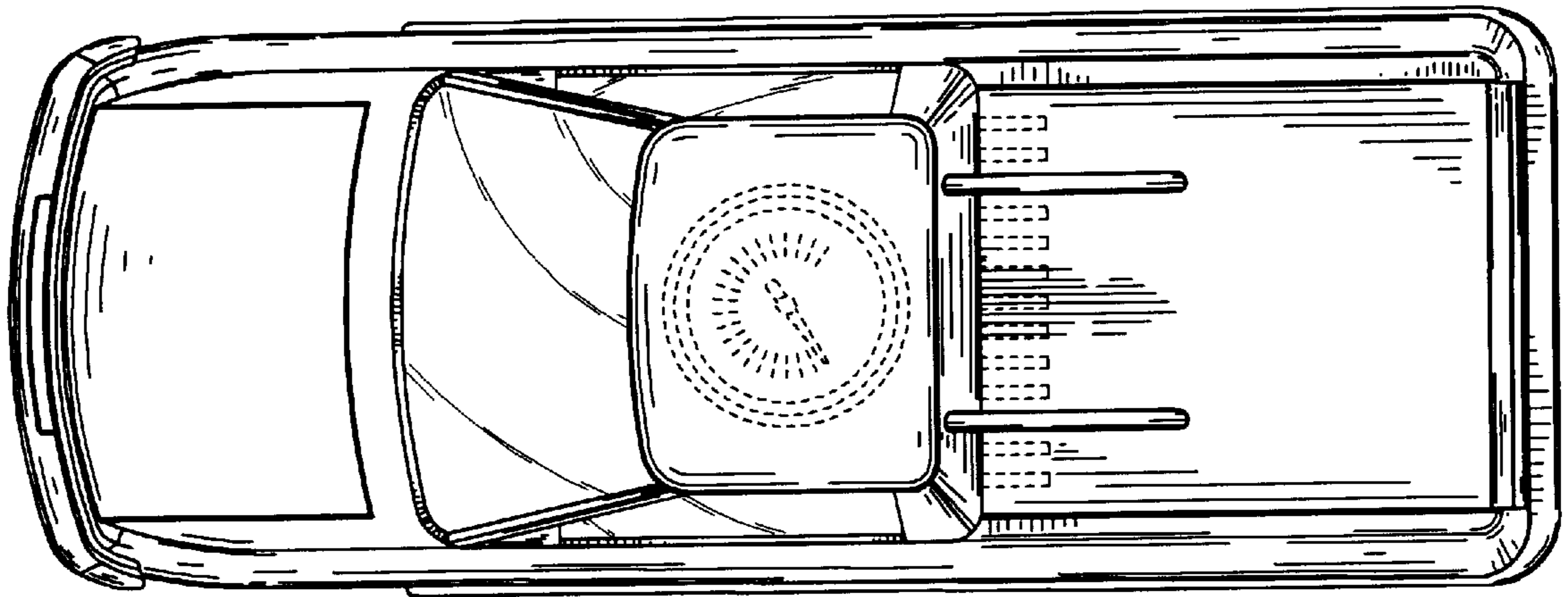


Fig.5

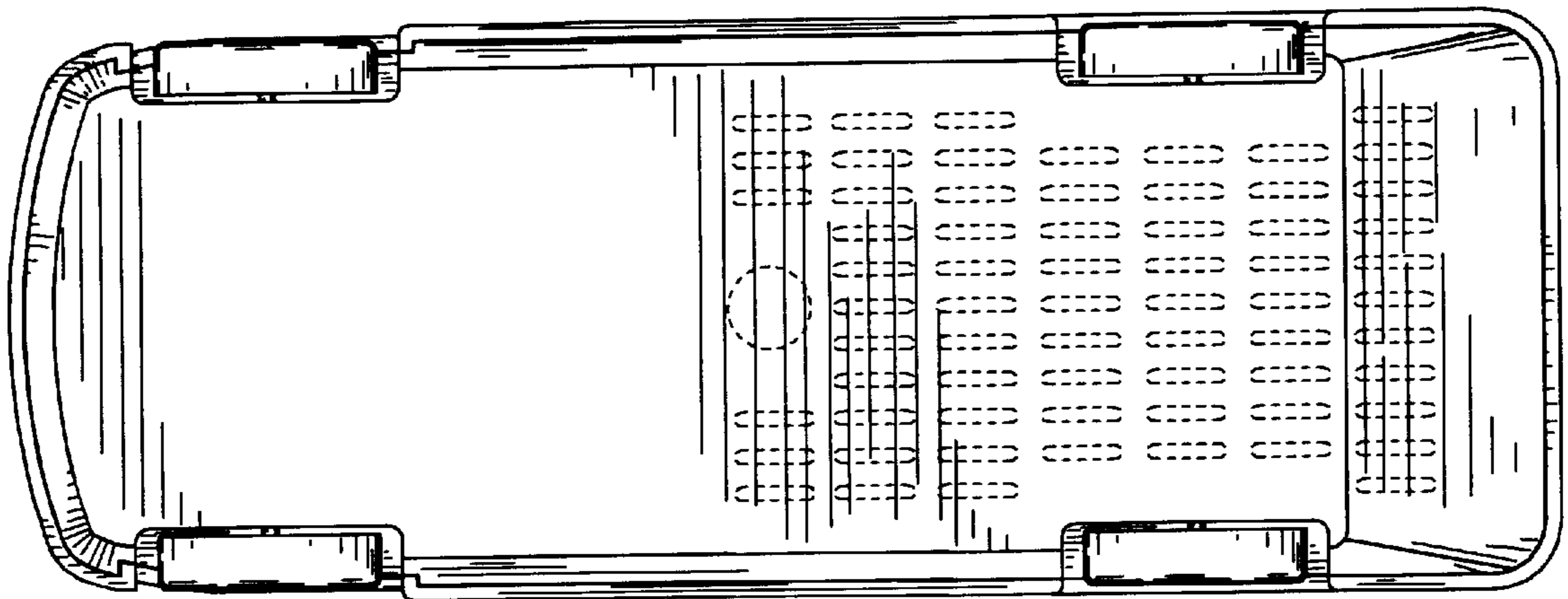


Fig.6



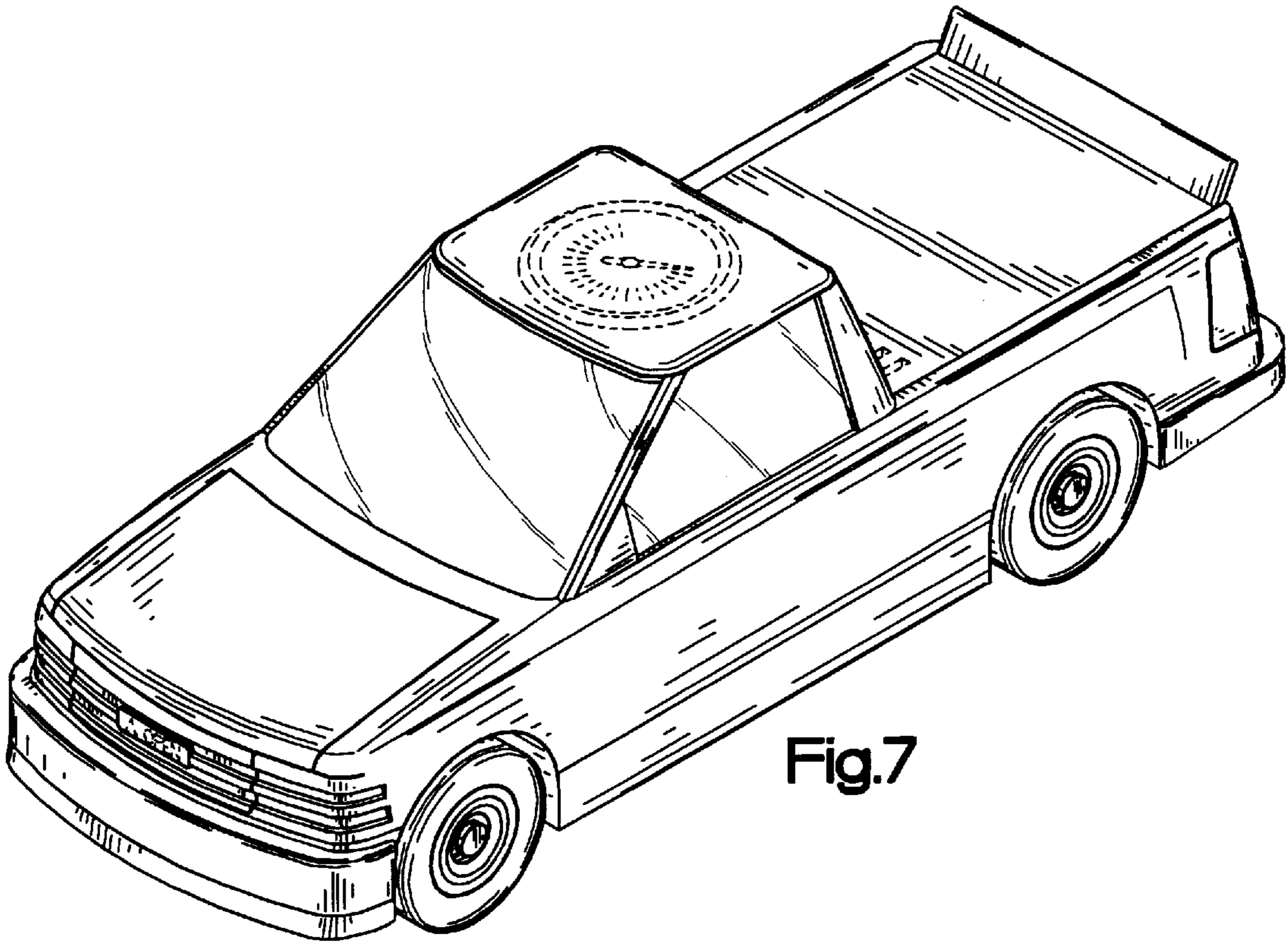


Fig.7

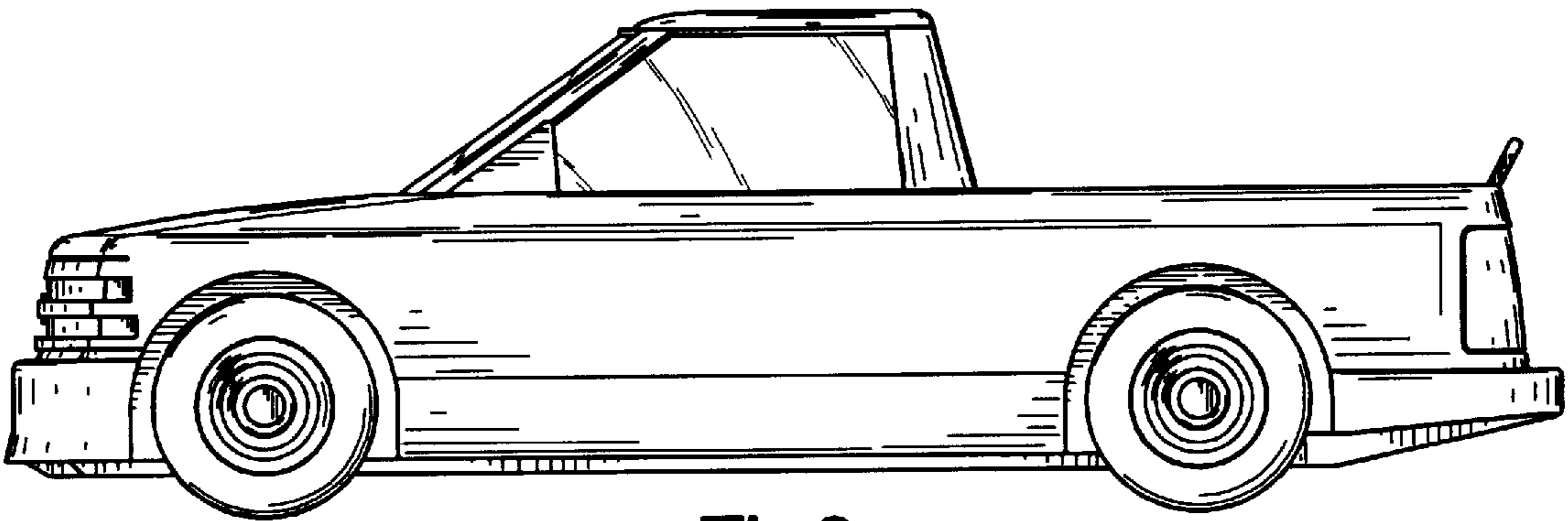


Fig.8

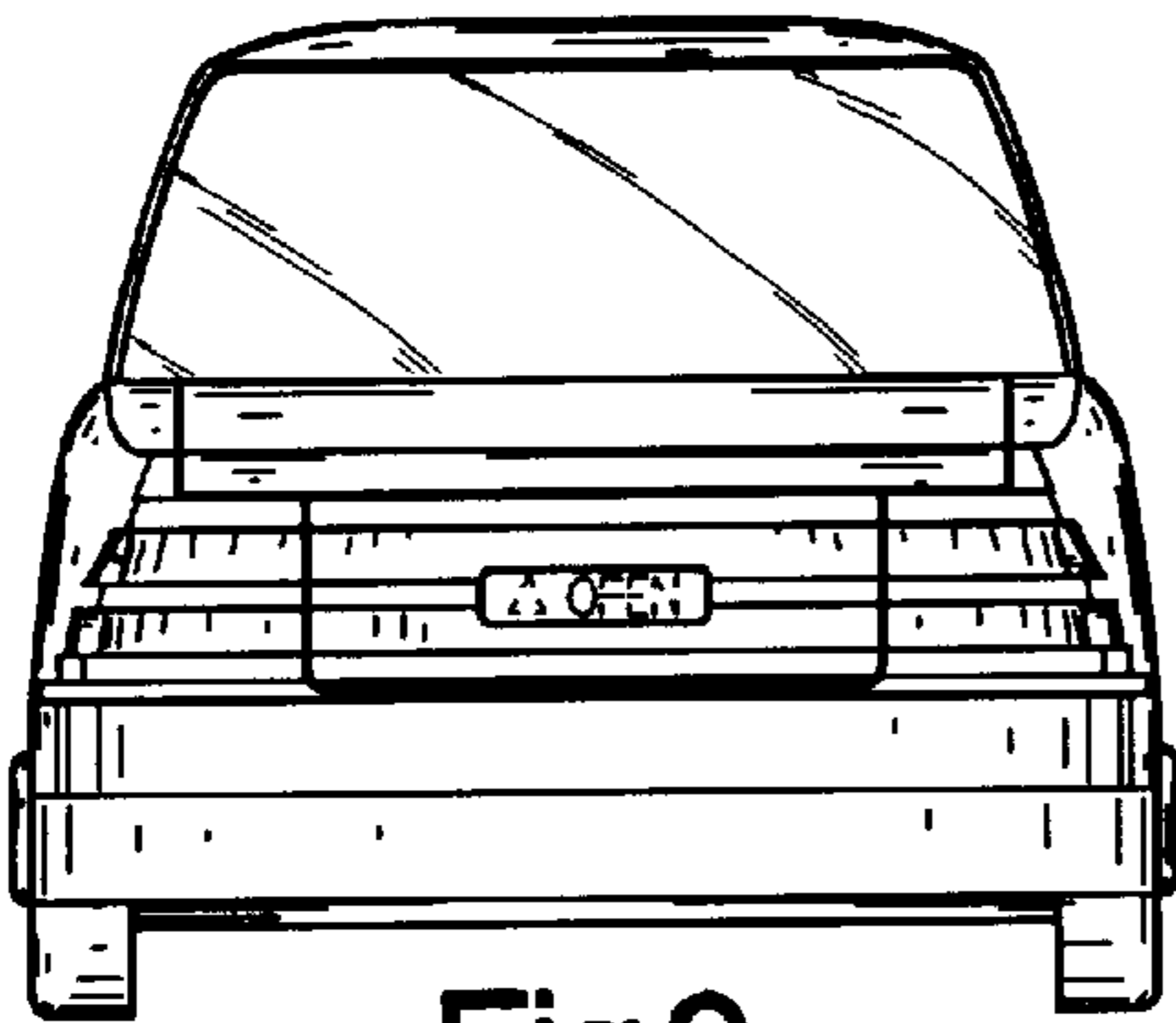


Fig.9

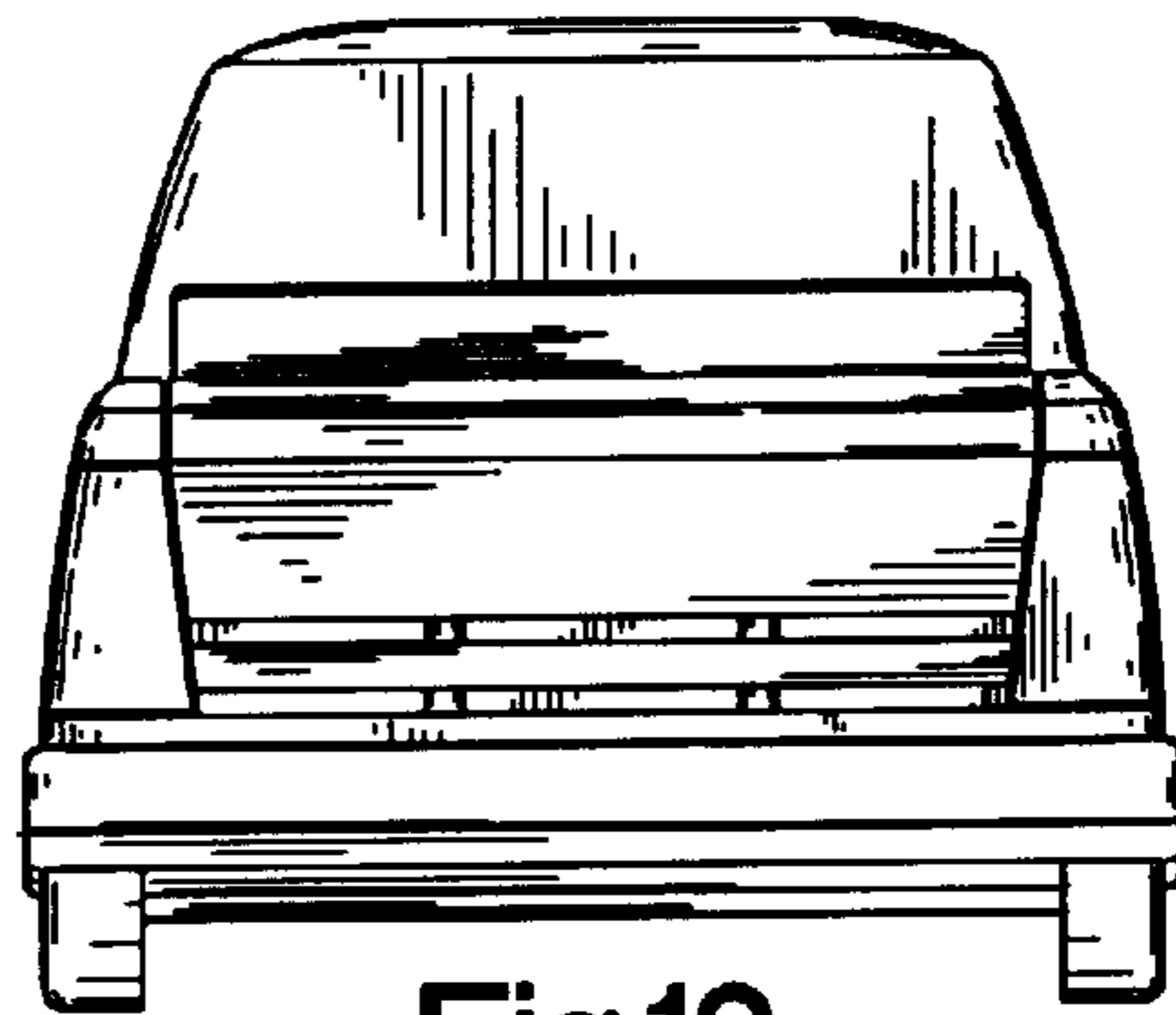


Fig.10

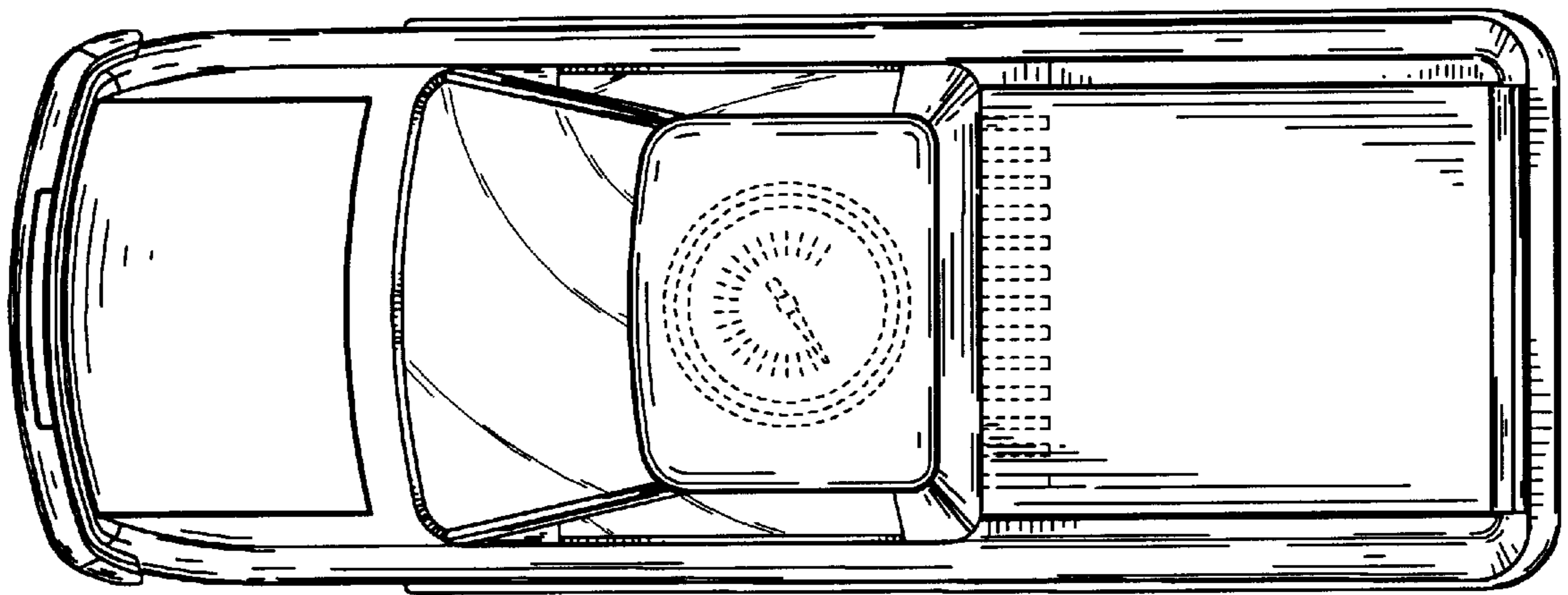


Fig.11

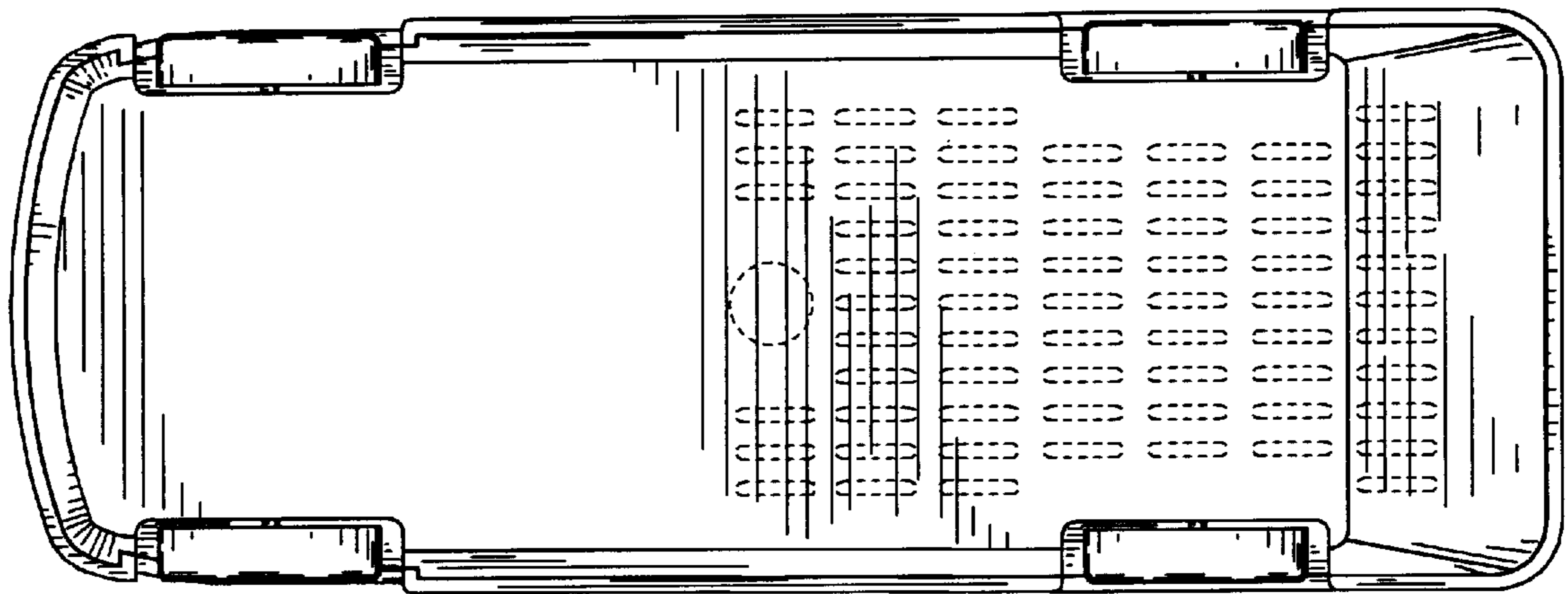


Fig.12