



US00D432126S

# United States Patent [19] Goo

[11] **Patent Number: Des. 432,126**

[45] **Date of Patent: \*\* Oct. 17, 2000**

[54] **COMPUTER MONITOR**

[75] Inventor: **Yock-Tee Goo**, Johor Bahru, Malaysia

[73] Assignee: **Proview Electronics (Taiwan) Co., Ltd.**, Taipei Hsien, Taiwan

[\*\*] Term: **14 Years**

[21] Appl. No.: **29/114,447**

[22] Filed: **Nov. 24, 1999**

[51] **LOC (7) Cl.** ..... **14-02**

[52] **U.S. Cl.** ..... **D14/374**

[58] **Field of Search** ..... D14/371, 376,  
D14/377, 379, 126-129; 345/104, 133,  
156, 168; 348/180, 184, 325, 739; 341/12;  
349/1, 2, 11, 62

[56] **References Cited**

**U.S. PATENT DOCUMENTS**

D. 347,001 5/1994 Lee ..... D14/379

D. 388,408 12/1997 Takemasa et al. .... D14/379

*Primary Examiner*—Freda Nunn

*Attorney, Agent, or Firm*—Skjerven Morrill MacPherson LLP

[57] **CLAIM**

The ornamental design for a computer monitor, as shown and described.

**DESCRIPTION**

FIG. 1 is a perspective view of a computer monitor showing my new design;

FIG. 2 is a front elevational view thereof;

FIG. 3 is a rear elevational view thereof;

FIG. 4 is a left side elevational view thereof;

FIG. 5 is a right side elevational view thereof;

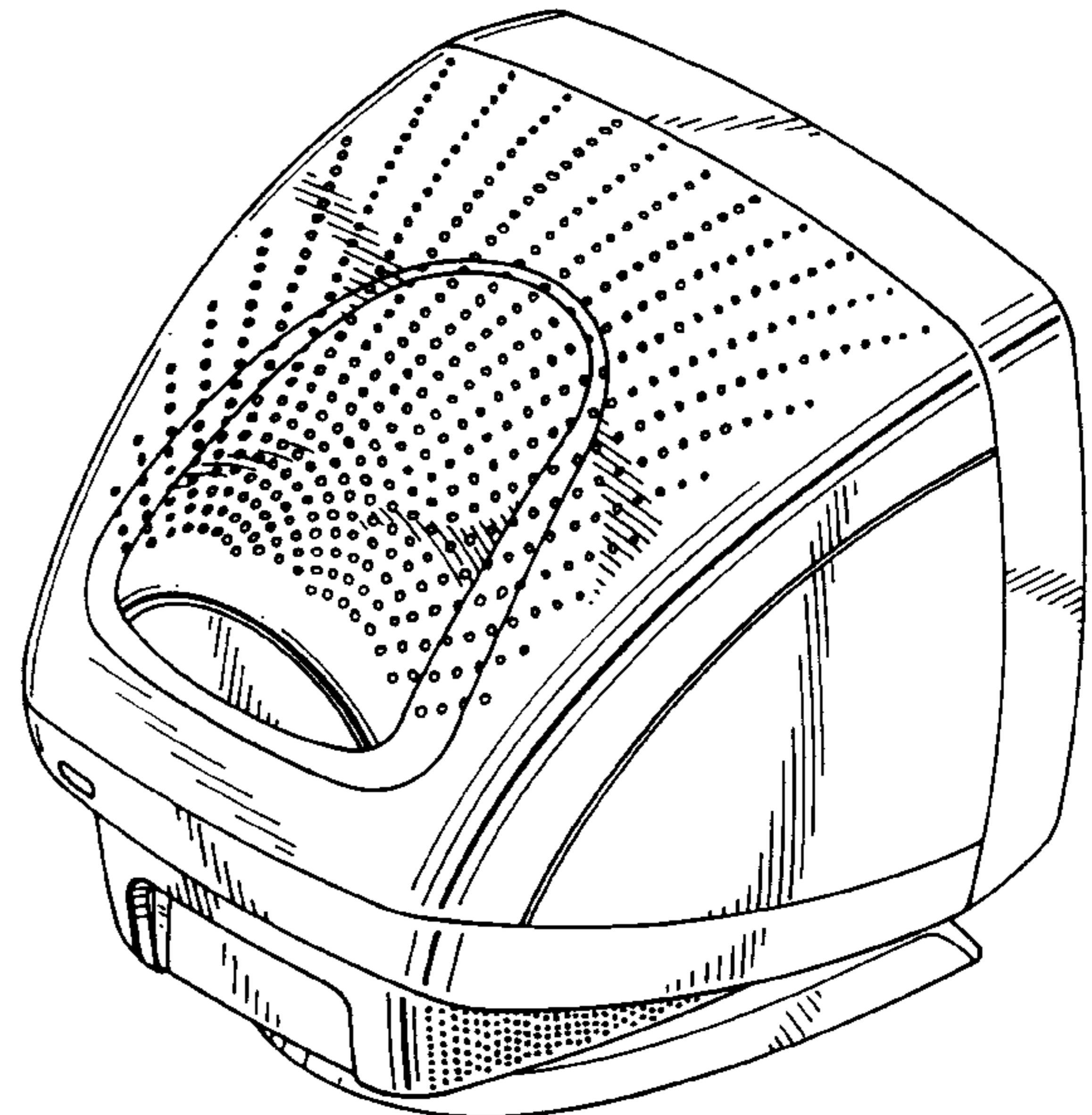
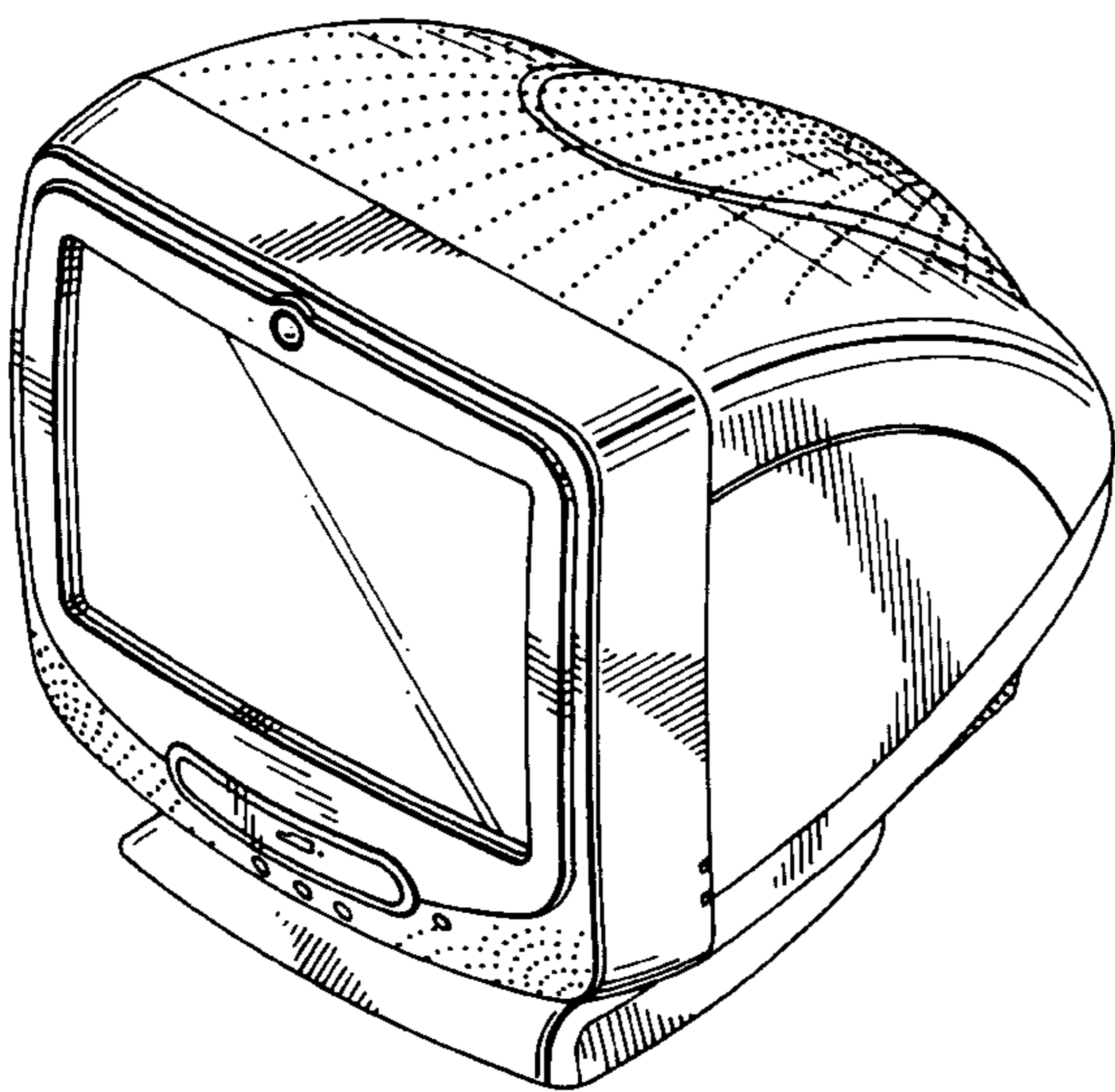
FIG. 6 is a top plan view thereof;

FIG. 7 is a bottom plan view thereof;

FIG. 8 is another perspective view; and,

FIG. 9 is a perspective view in use.

**1 Claim, 6 Drawing Sheets**



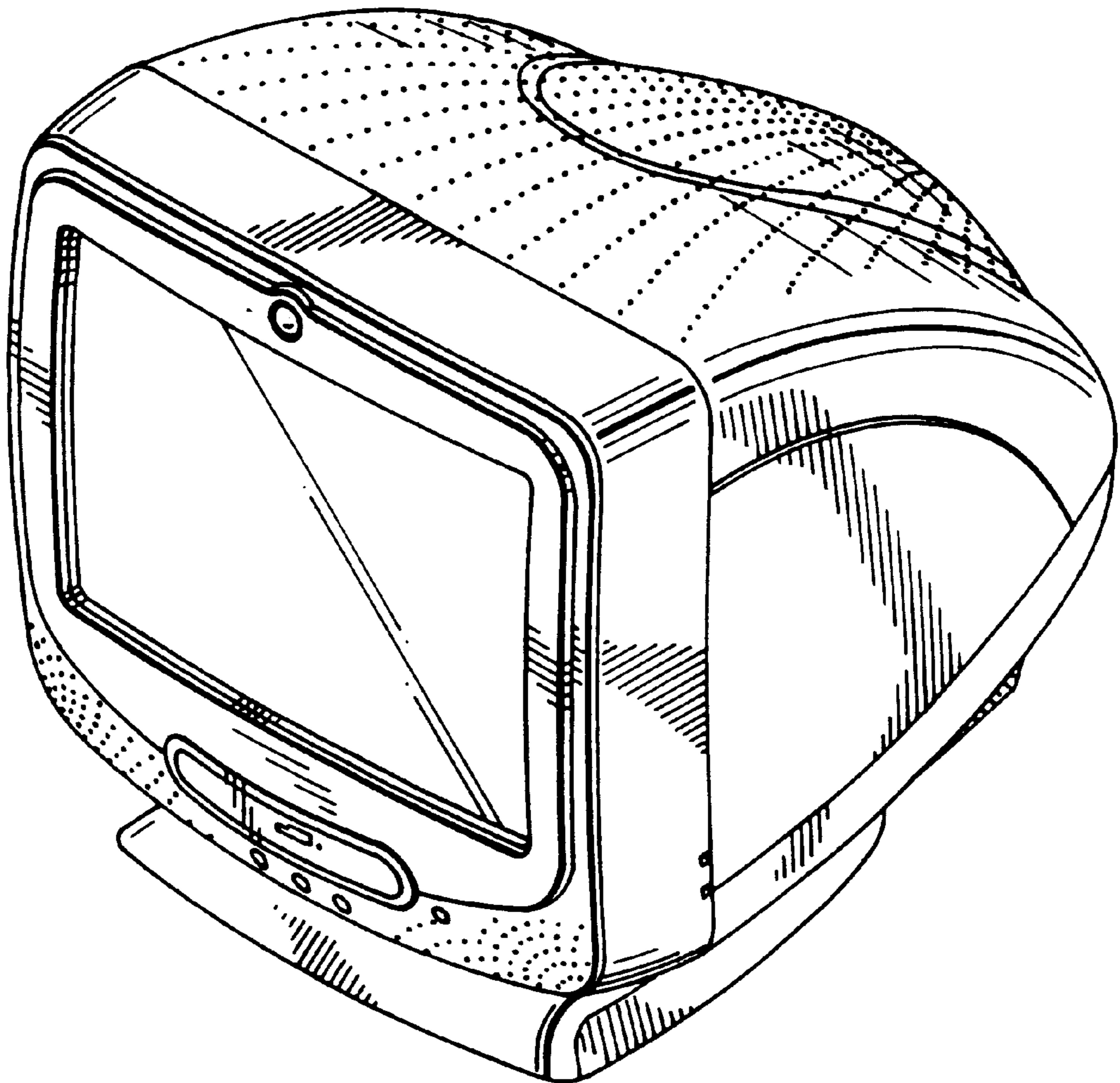


FIG. 1

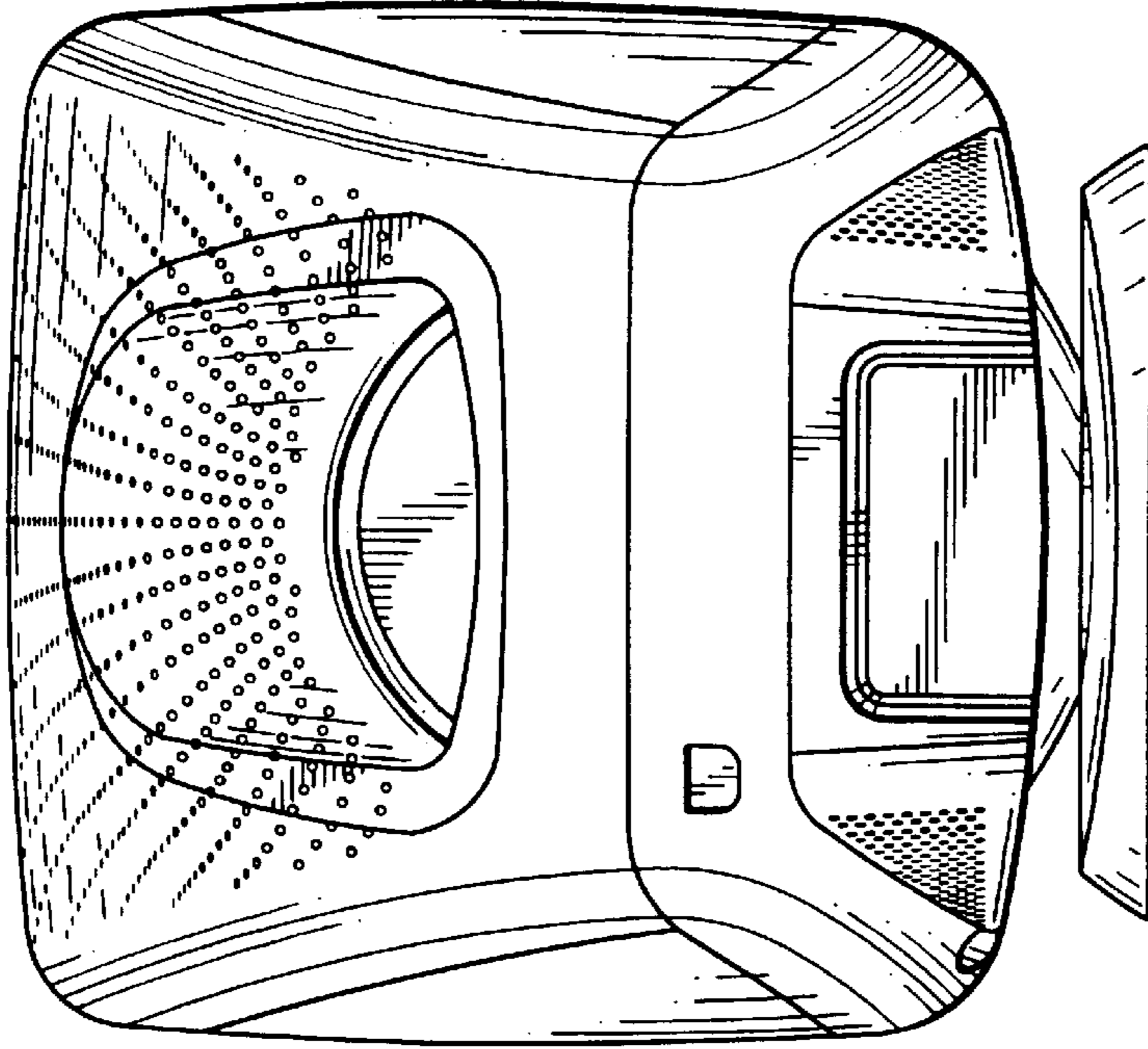


FIG. 3

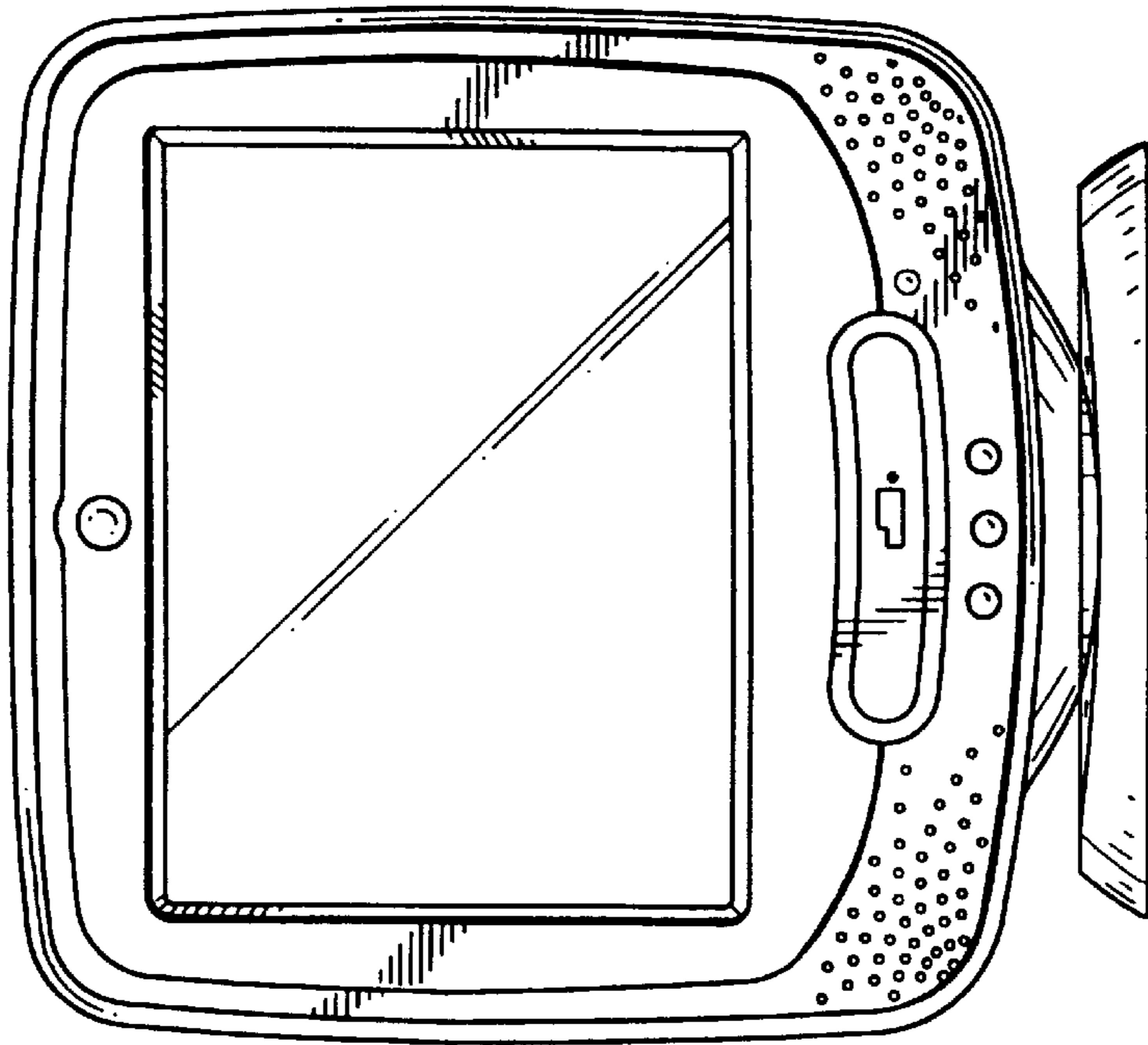


FIG. 2

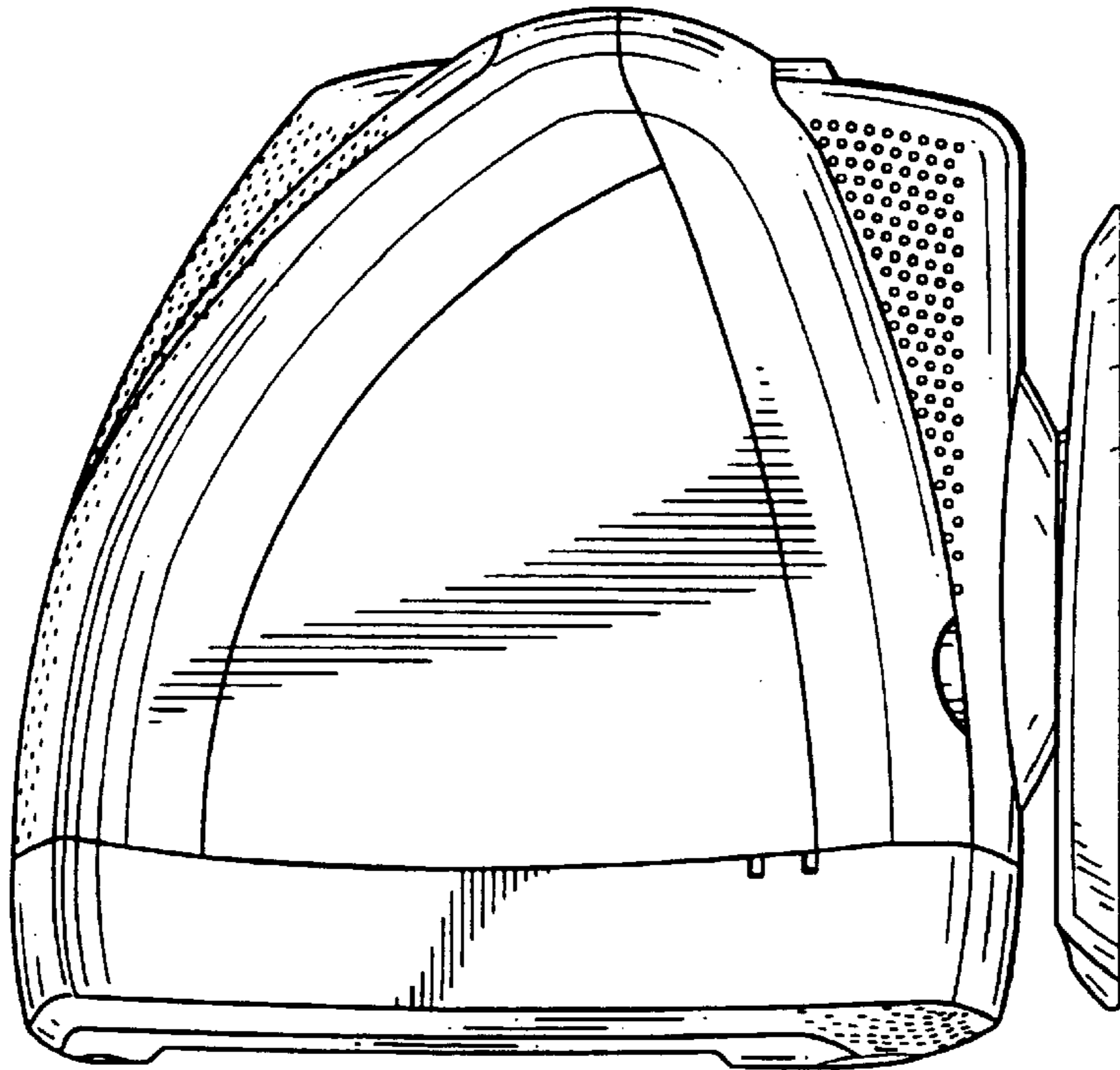


FIG. 5

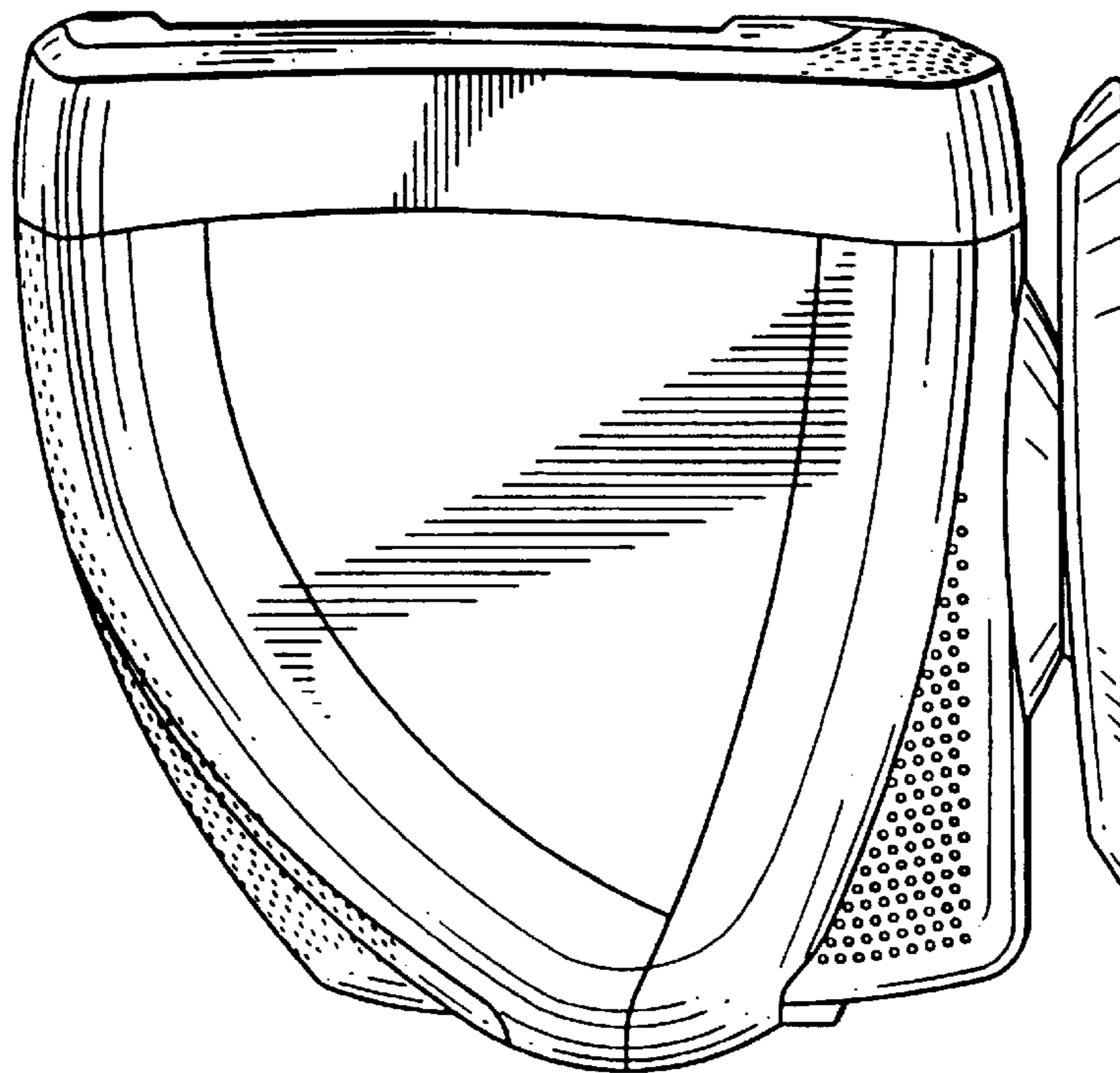


FIG. 4

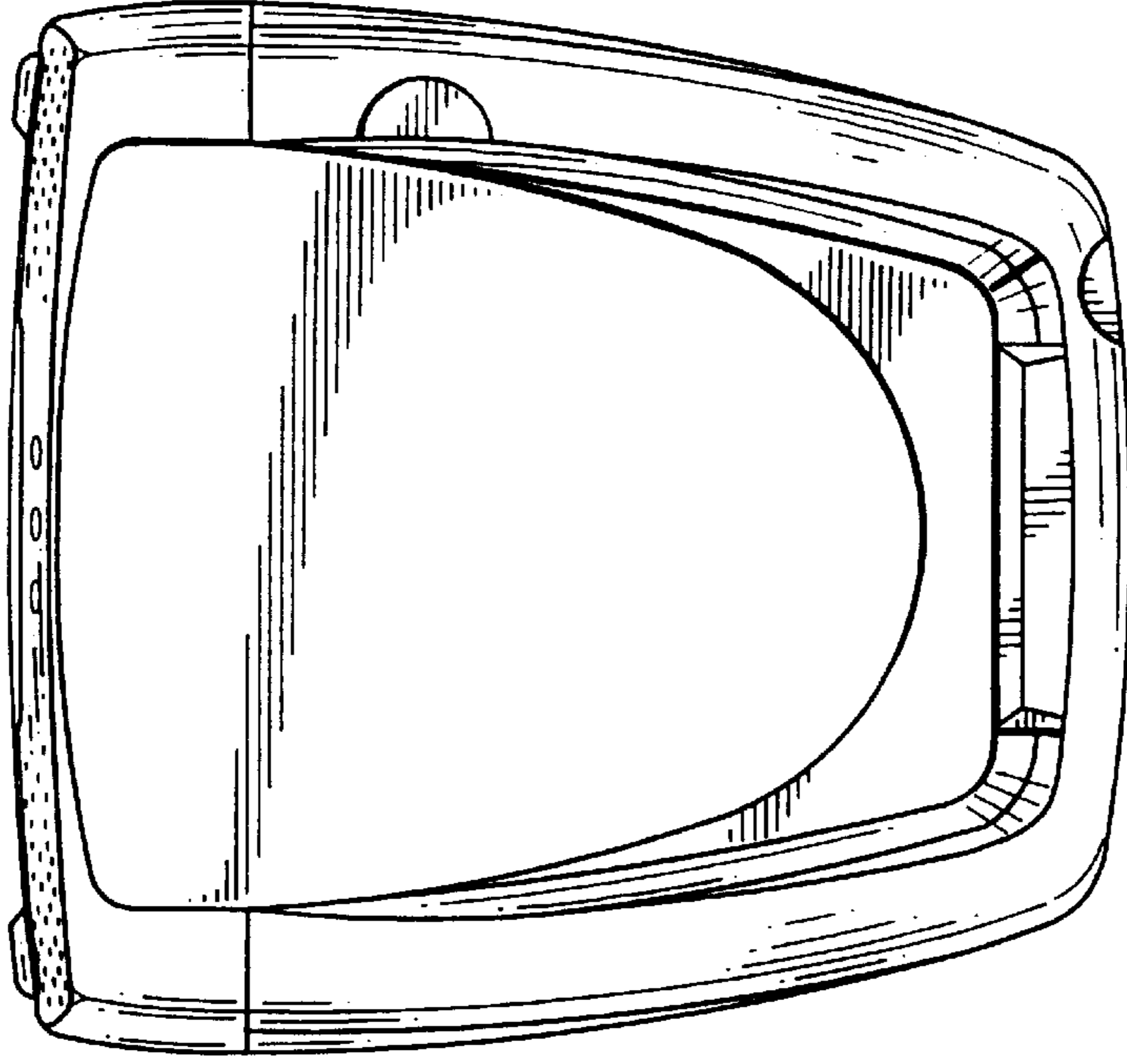


FIG. 7

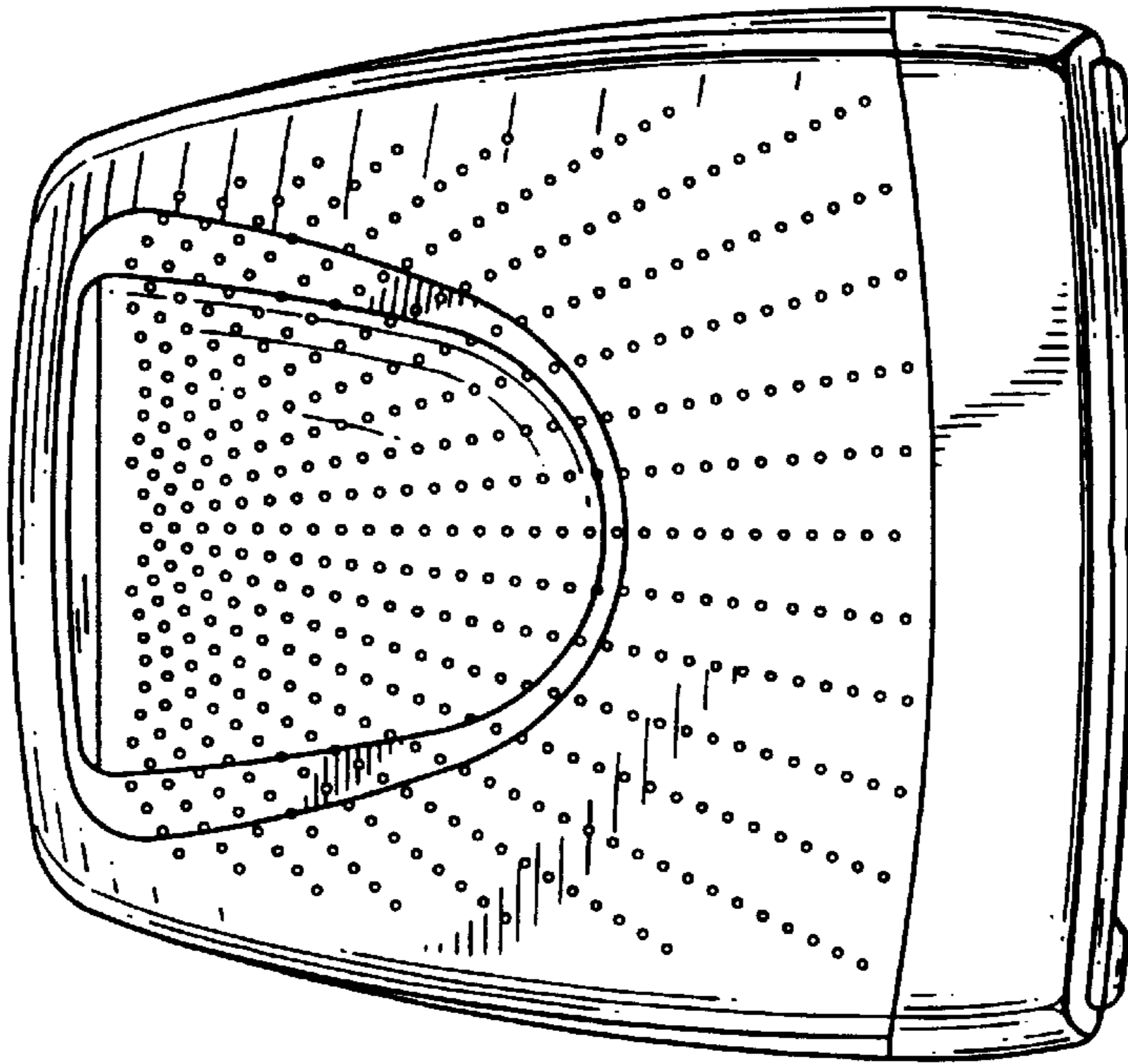


FIG. 6

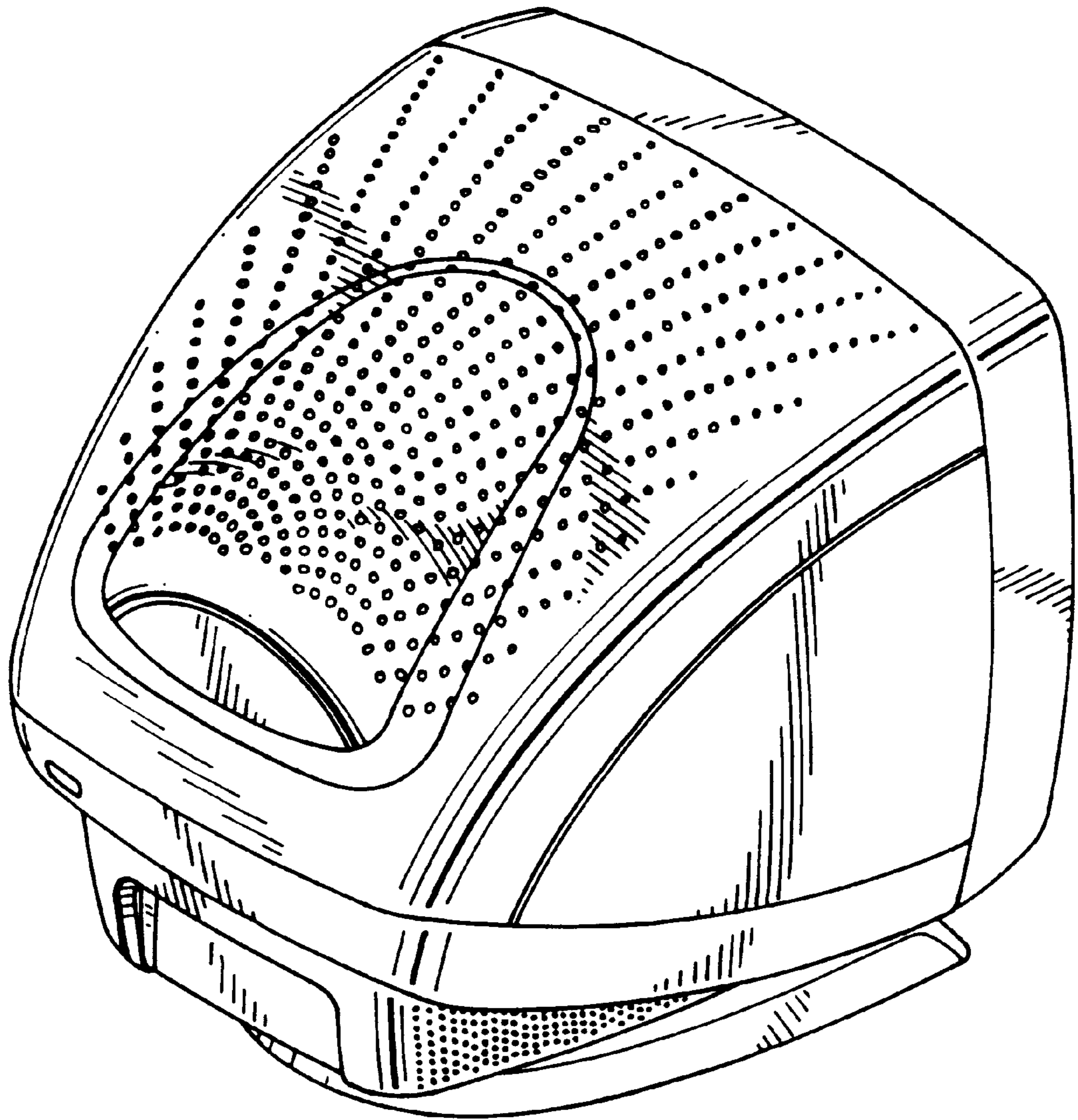


FIG. 8

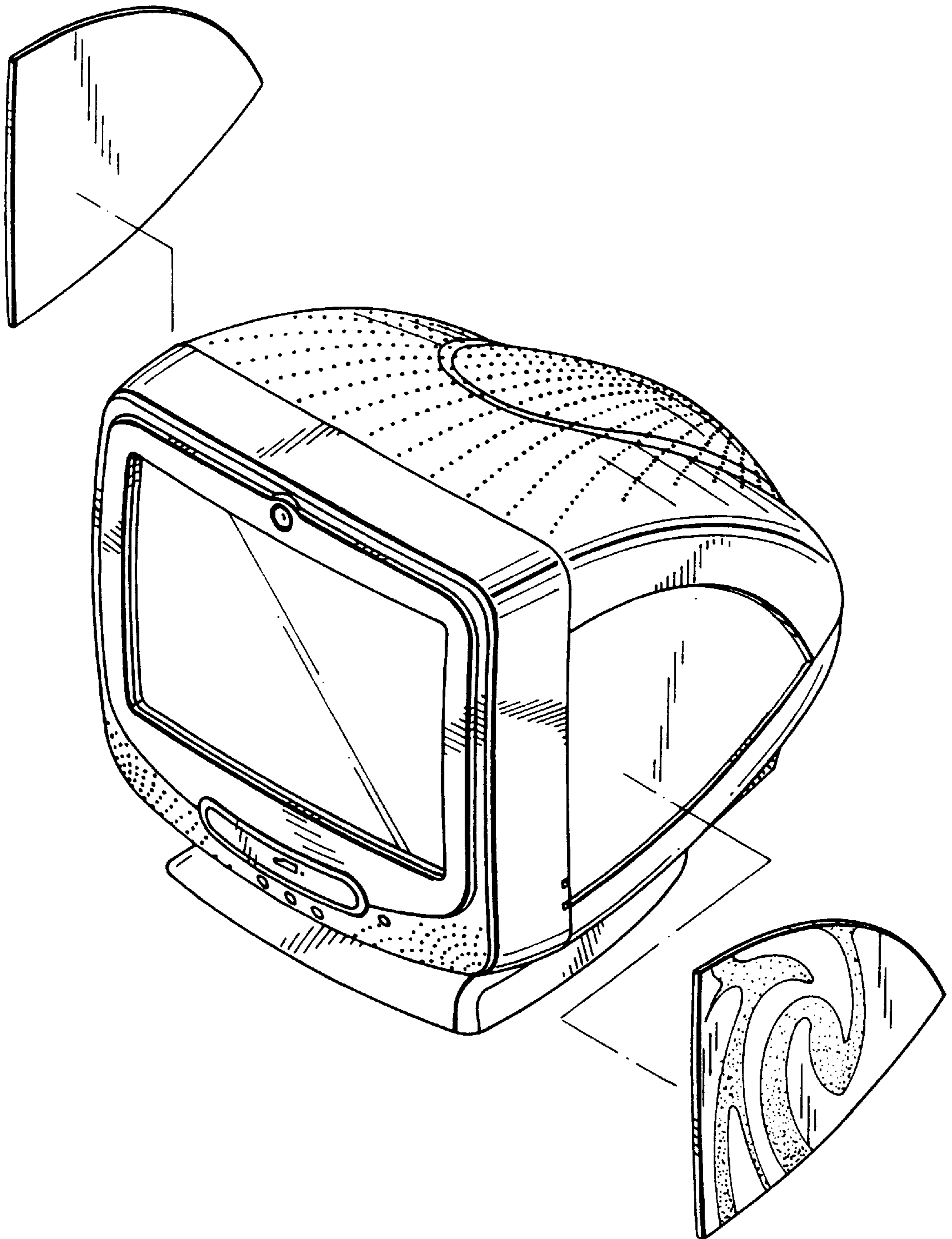


FIG. 9