



US00D432123S

United States Patent [19]
Nagai

[11] **Patent Number: Des. 432,123**

[45] **Date of Patent: ** Oct. 17, 2000**

[54] **COMBINED DISC PLAYER AND RECORDER**

[75] Inventor: **Atsuo Nagai**, Tokyo, Japan

[73] Assignee: **Sony Corporation**, Tokyo, Japan

[**] Term: **14 Years**

[21] Appl. No.: **29/105,639**

[22] Filed: **May 27, 1999**

Related U.S. Application Data

[62] Division of application No. 29/098,365, Dec. 28, 1998.

[51] **LOC (7) Cl.** **14-99**

[52] **U.S. Cl.** **D14/257; D14/217**

[58] **Field of Search** D12/192, 195;
D14/135-137, 156-157, 160, 170, 188-198,
217, 257-258, 299; 455/345-347; 463/46,
47

[56] **References Cited**

U.S. PATENT DOCUMENTS

- D. 224,407 7/1972 Katz D14/257
- D. 281,970 12/1985 Imai D14/156

- D. 329,050 9/1992 Ito et al. D14/156
- D. 344,954 3/1994 Scheid et al. D14/191 X
- D. 362,438 9/1995 Scheid D14/191
- D. 394,626 5/1998 Sacco et al. D12/192

OTHER PUBLICATIONS

- Catalog, "82," pp. 166 & 168, Sony (Mar. 1996).
- Catalog, "83," pp. 166, Sony (Jul. 1996).
- Catalog, "89," pp. 172 & 173, Sony (Jul. 1998).

Primary Examiner—Nanda Bondade
Attorney, Agent, or Firm—Rader, Fishman & Grauer

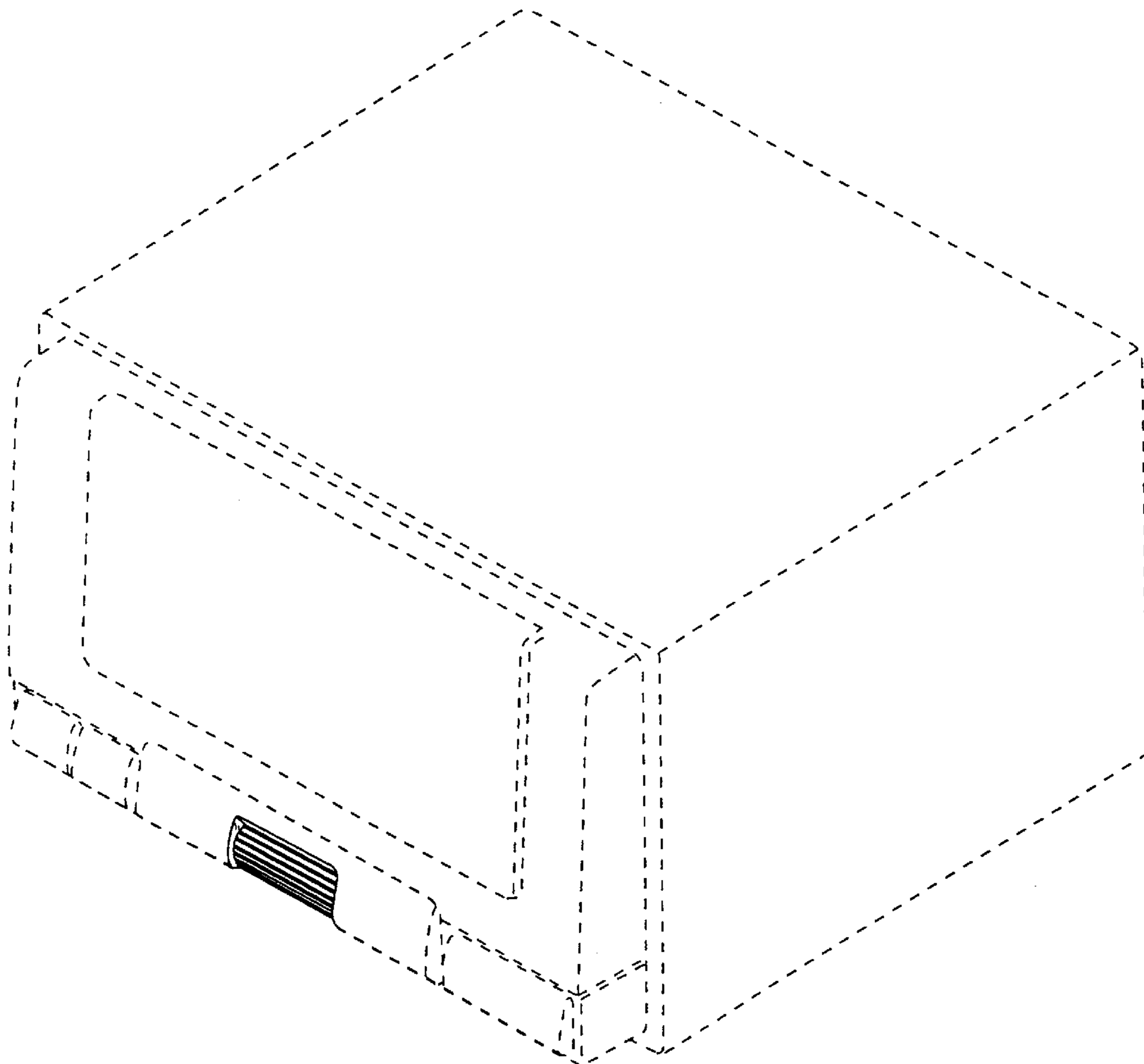
[57] **CLAIM**

The ornamental design for a combined disc player and recorder, as shown and described.

DESCRIPTION

FIG. 1 is a perspective view of a combined disc player and recorder showing my new design;
FIG. 2 is a front elevational view thereof;
FIG. 3 is a top plan view thereof;
FIG. 4 is a bottom plan view thereof; and,
FIG. 5 is another perspective view thereof.

1 Claim, 5 Drawing Sheets



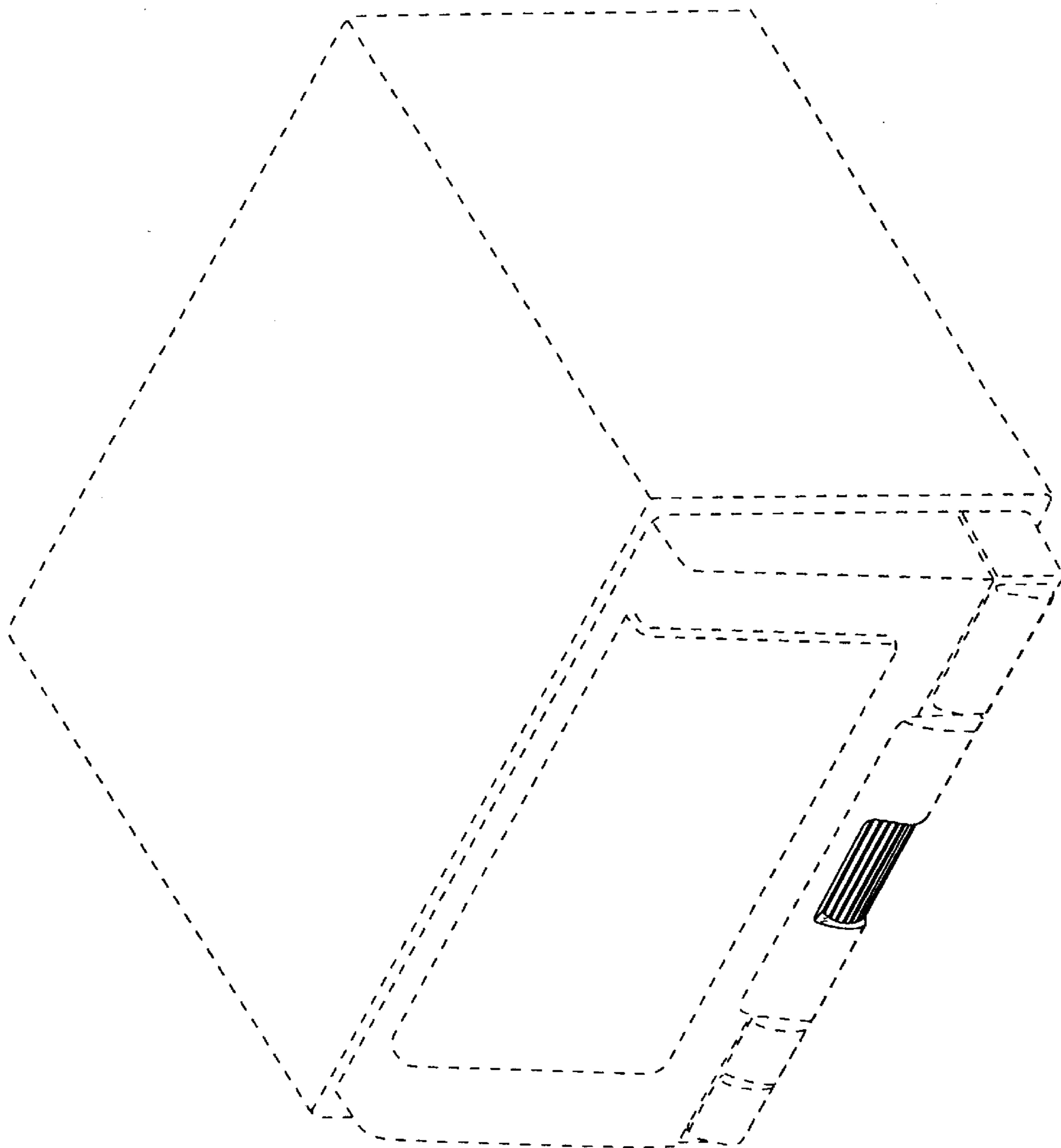


FIG. 1

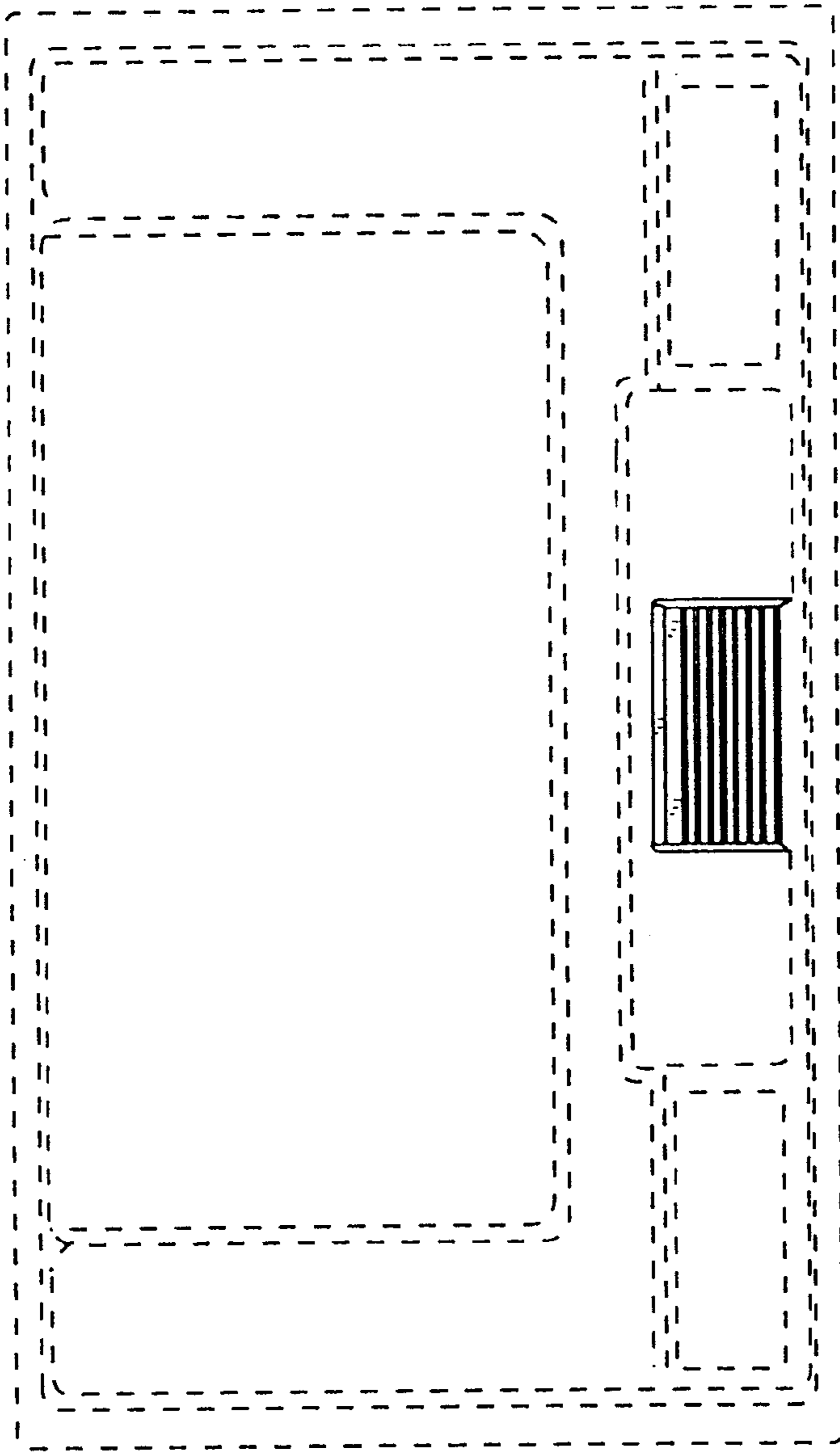


FIG. 2

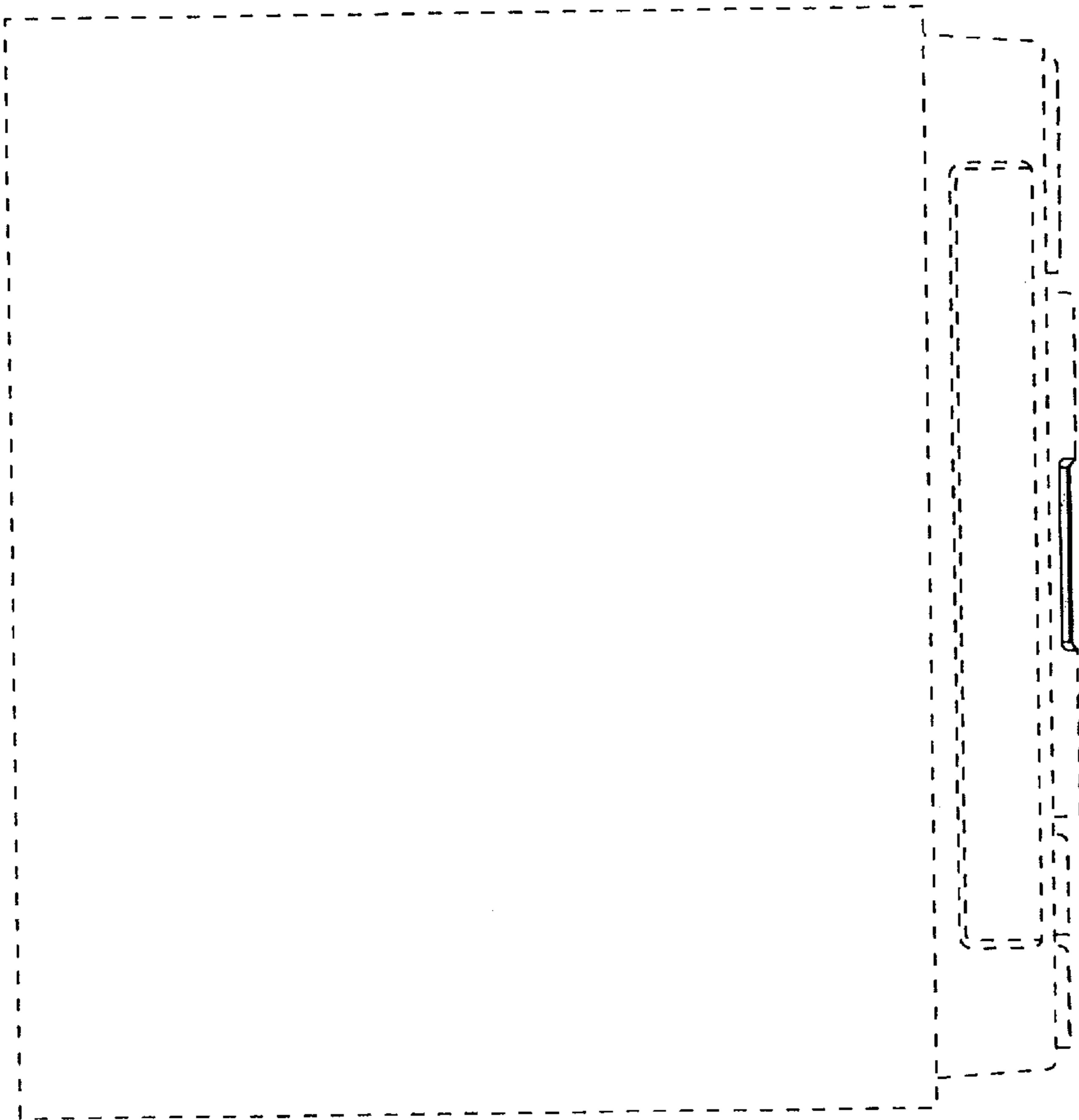


FIG. 3

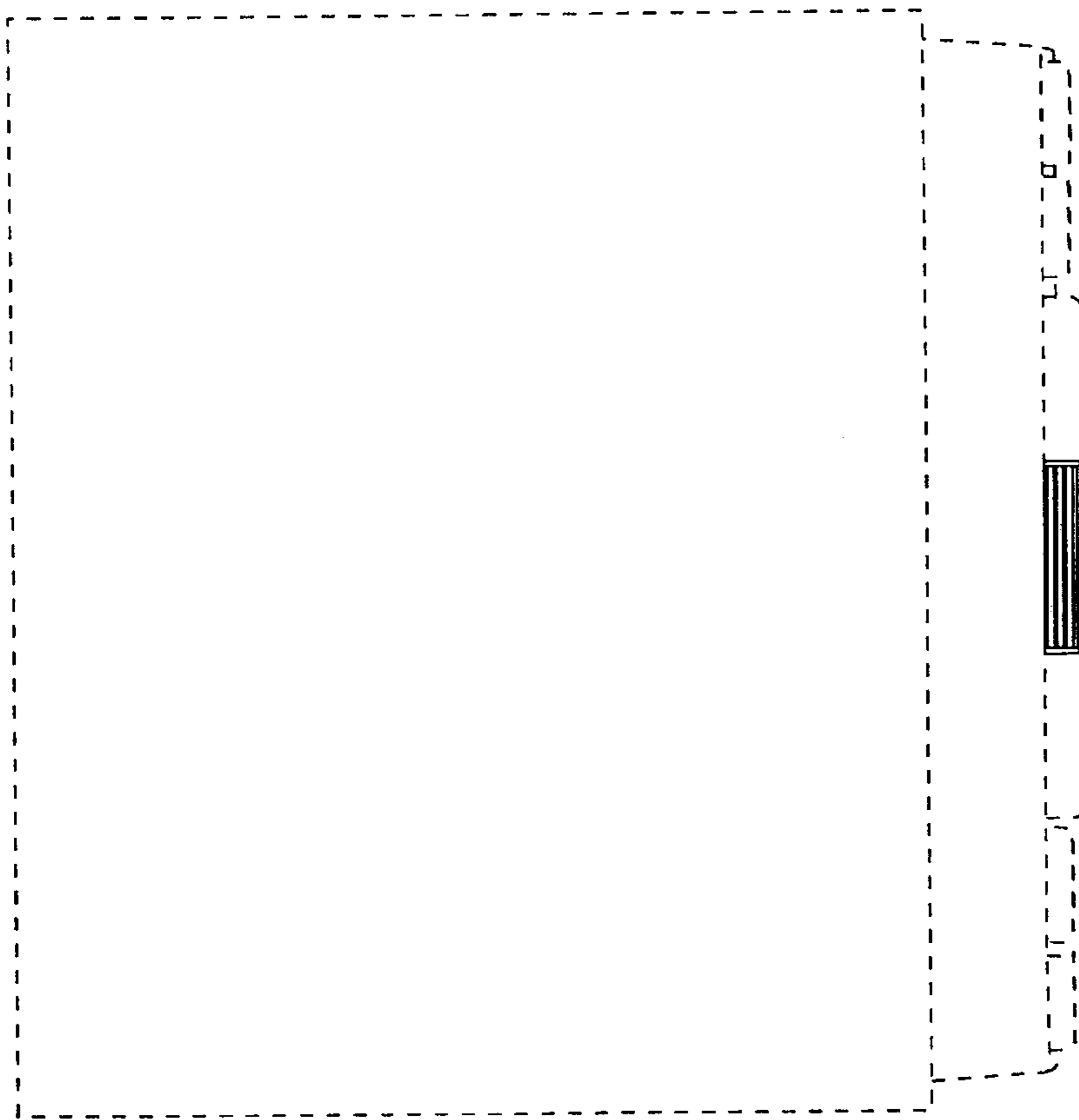


FIG. 4

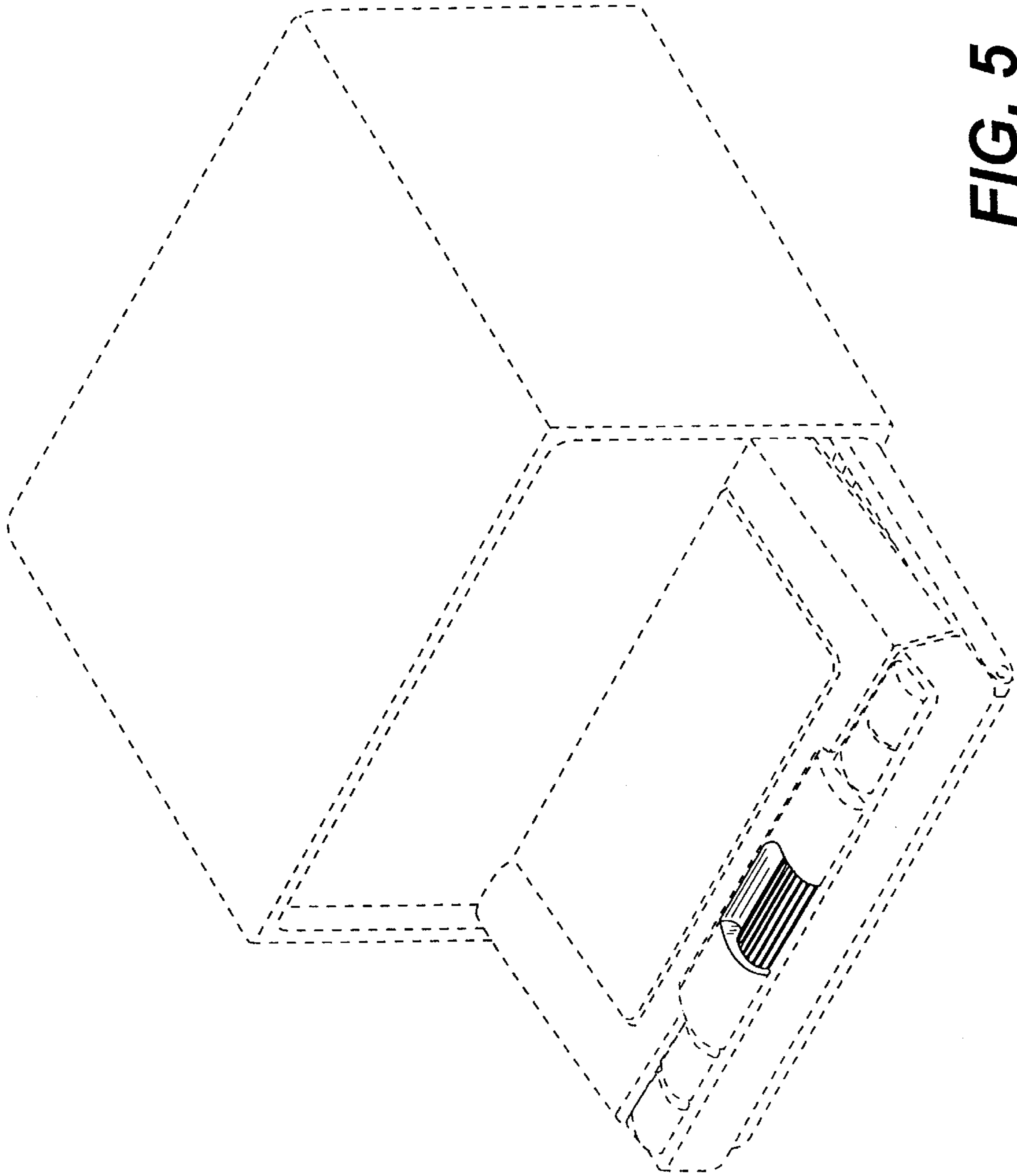


FIG. 5