



US00D432122S

United States Patent [19]
Richter

[11] **Patent Number: Des. 432,122**

[45] **Date of Patent: ** Oct. 17, 2000**

[54] **MOBILE TELEPHONE HOLDER**

[76] Inventor: **Herbert Richter**, Drosselweg 8, 75331 Engelbrand, Germany

[**] Term: **14 Years**

[21] Appl. No.: **29/120,065**

[22] Filed: **Mar. 14, 2000**

[51] **LOC (7) Cl.** **14-03**

[52] **U.S. Cl.** **D14/253**

[58] **Field of Search** D14/137, 138, D14/148, 147, 149-151, 140-142, 240, 241, 251, 253; D3/218; 379/433-436, 419, 420, 428, 440, 454, 455, 446, 447; D13/107, 108; 320/110, 113, 114, 115

[56] **References Cited**

U.S. PATENT DOCUMENTS

D. 245,112	7/1977	Everhart et al.	D14/149
D. 269,088	5/1983	Genaro et al.	D14/147 X
D. 346,805	5/1994	Kim	D14/240
D. 352,031	11/1994	Tattari et al.	D14/149
D. 411,208	6/1999	Richter	D14/253
D. 425,076	5/2000	Richter	D14/253
4,472,606	9/1984	Krolopp et al.	379/455
5,189,698	2/1993	Hakanen	379/455

Primary Examiner—Jeffrey Asch
Attorney, Agent, or Firm—Klaus J. Bach

[57] **CLAIM**

The ornamental design for a mobile telephone holder, as shown and described.

DESCRIPTION

FIG. 1 is a perspective view of a mobile telephone holder

with a magnetic front support surface, an apertured rear mounting surface, and a pivot bracket for engaging a strap; FIG. 2 is a front view of the mobile telephone holder shown in FIG. 1;

FIG. 3 is a left side view of the mobile telephone holder shown in FIG. 1;

FIG. 4 is a backside view of the mobile telephone holder shown in FIG. 1;

FIG. 5 is a right side view of the mobile telephone holder shown in FIG. 1;

FIG. 6 is a top end view of the mobile telephone holder shown in FIG. 1;

FIG. 7 is a bottom end view of the mobile telephone holder shown in FIG. 1;

FIG. 8 is a perspective view of a mobile telephone holder with a magnetic front support surface, a rear mounting surface with an adhesive pad and a pivot bracket for engaging a strap;

FIG. 9 is a front view of the mobile telephone holder shown in FIG. 8;

FIG. 10 is a left side view of the mobile telephone holder shown in FIG. 8;

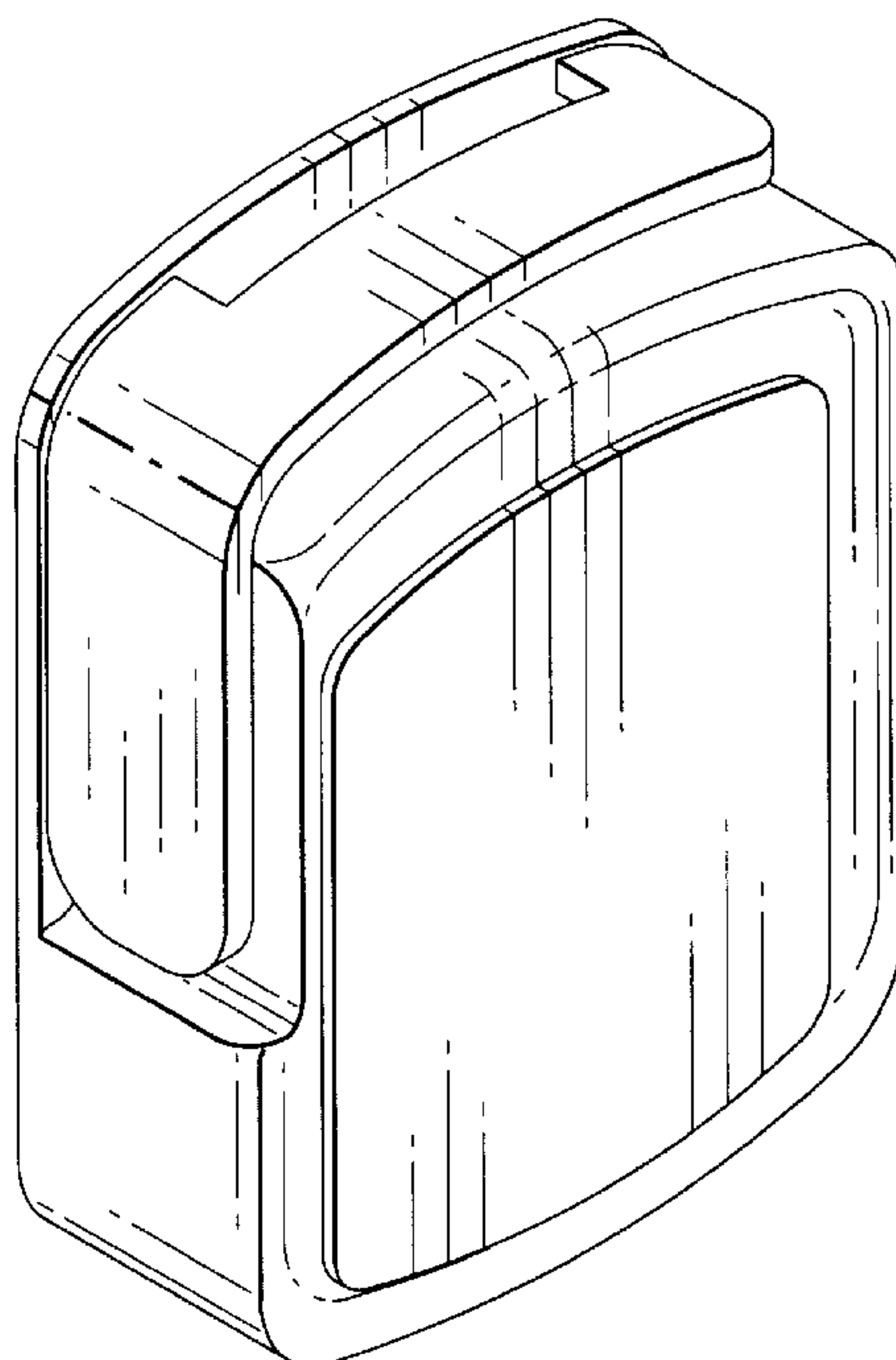
FIG. 11 is a backside view of the mobile telephone holder shown in FIG. 8;

FIG. 12 is a right side view of the mobile telephone holder shown in FIG. 8;

FIG. 13 is a top end view of the mobile telephone holder shown in FIG. 8; and,

FIG. 14 is a bottom end view of the mobile telephone holder shown in FIG. 8.

1 Claim, 8 Drawing Sheets



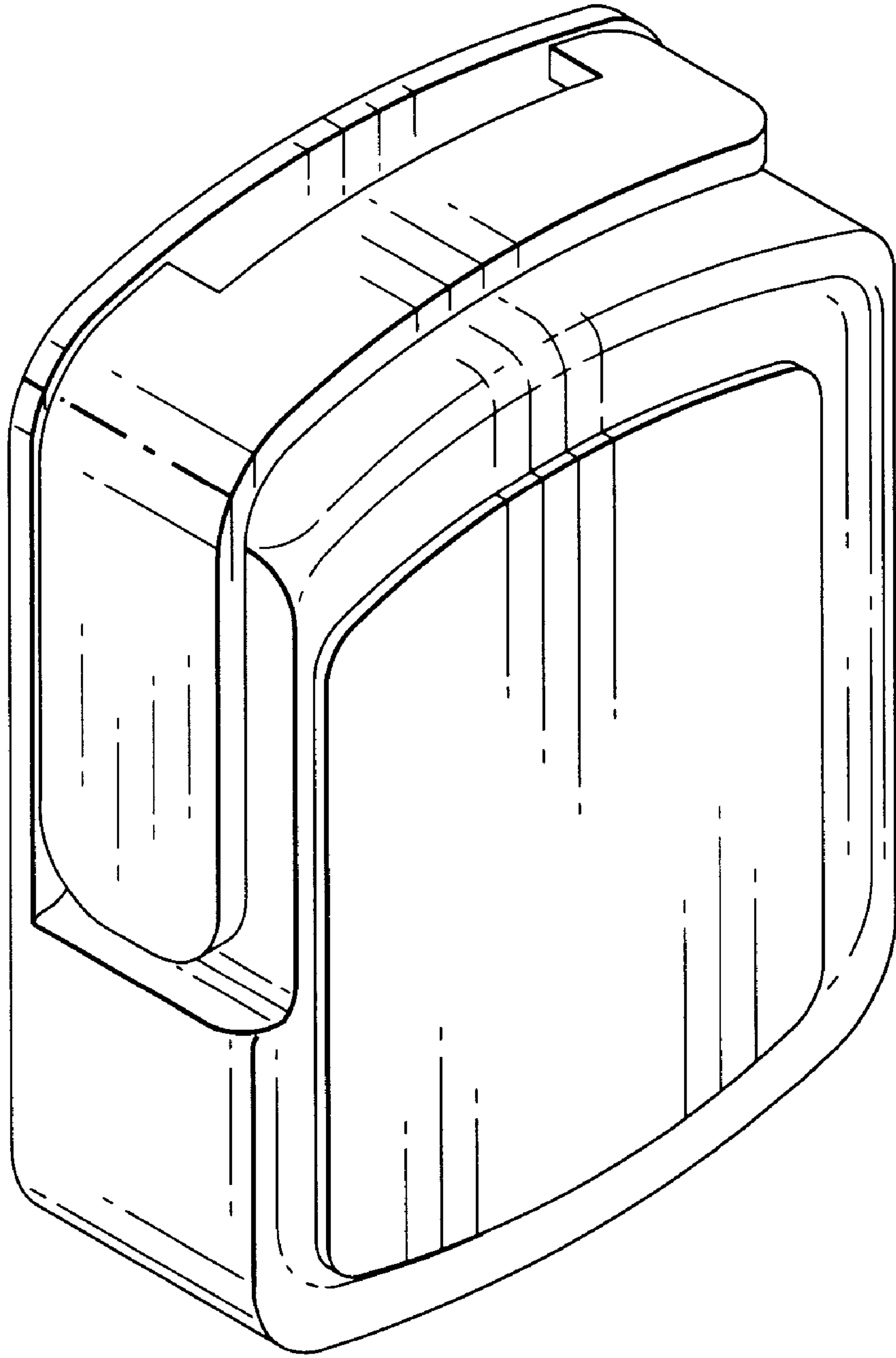


FIG. 1

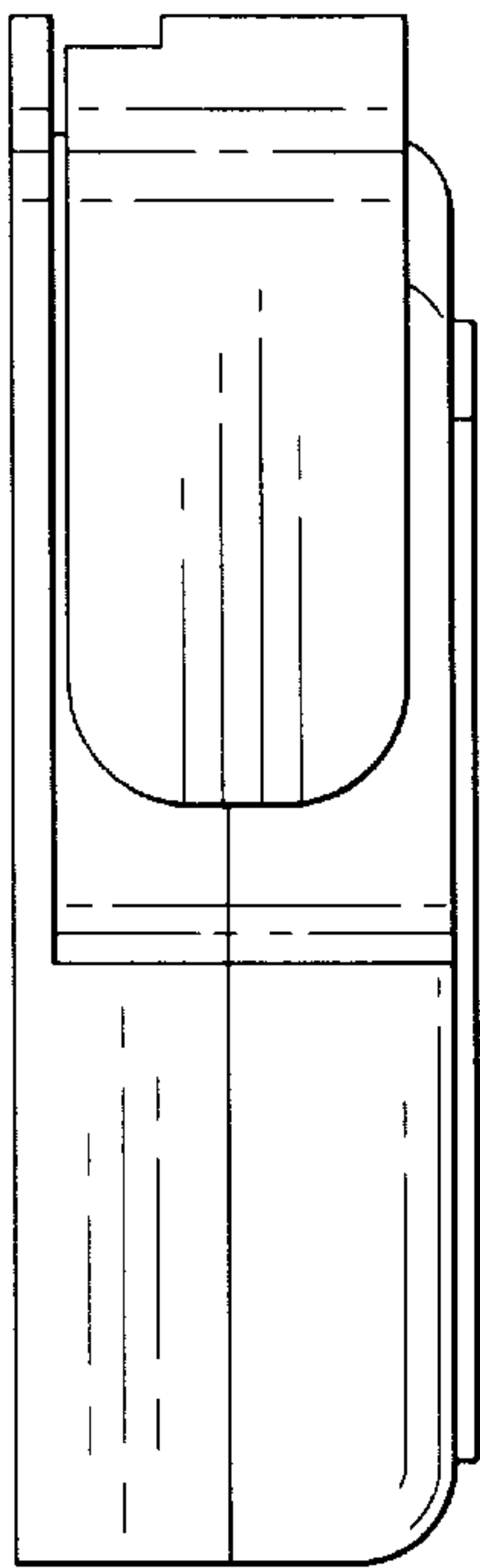


FIG. 3

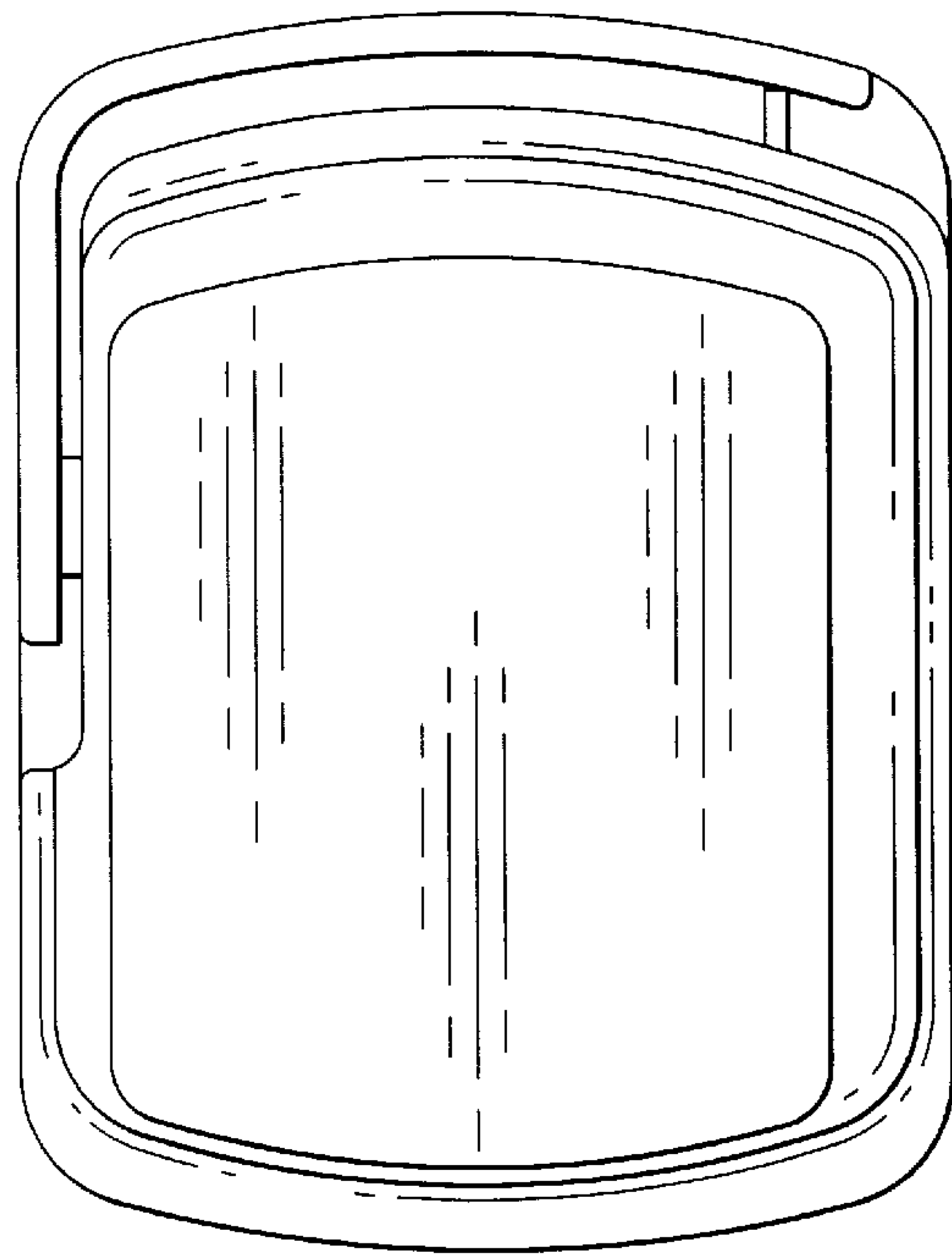


FIG. 2

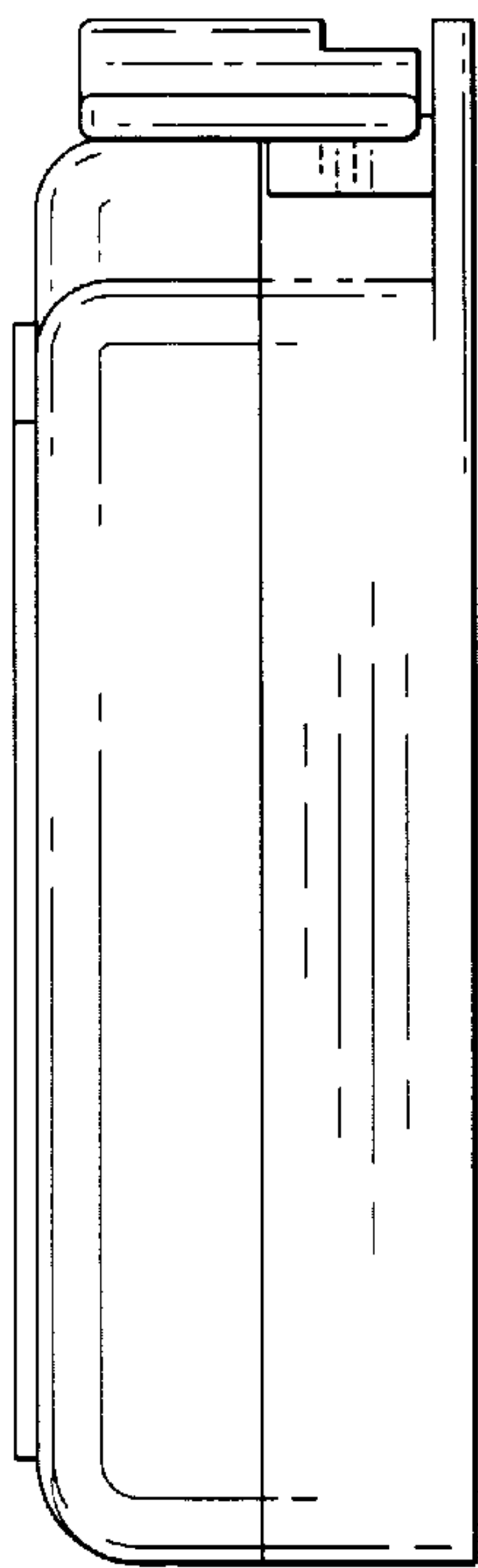


FIG. 5

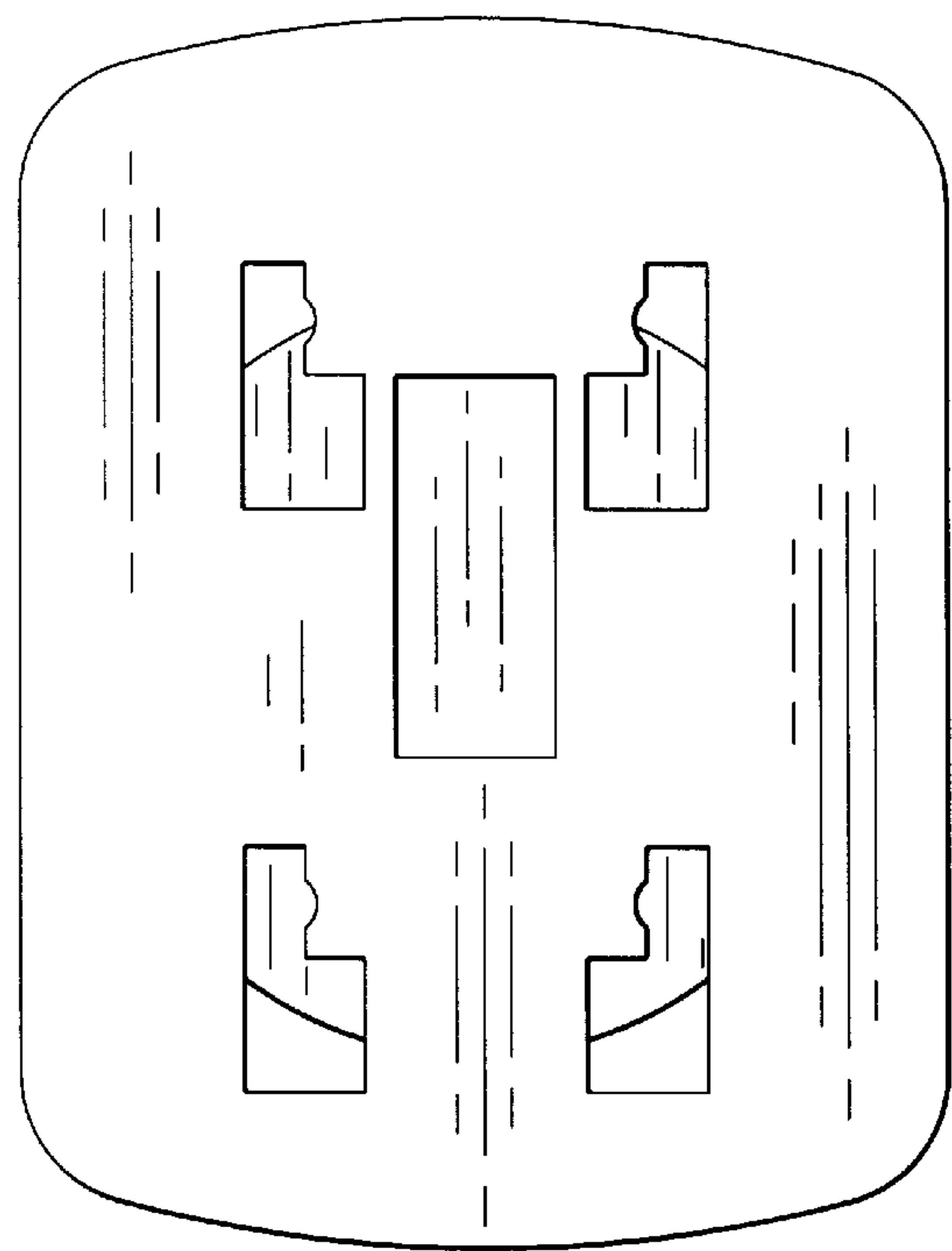


FIG. 4

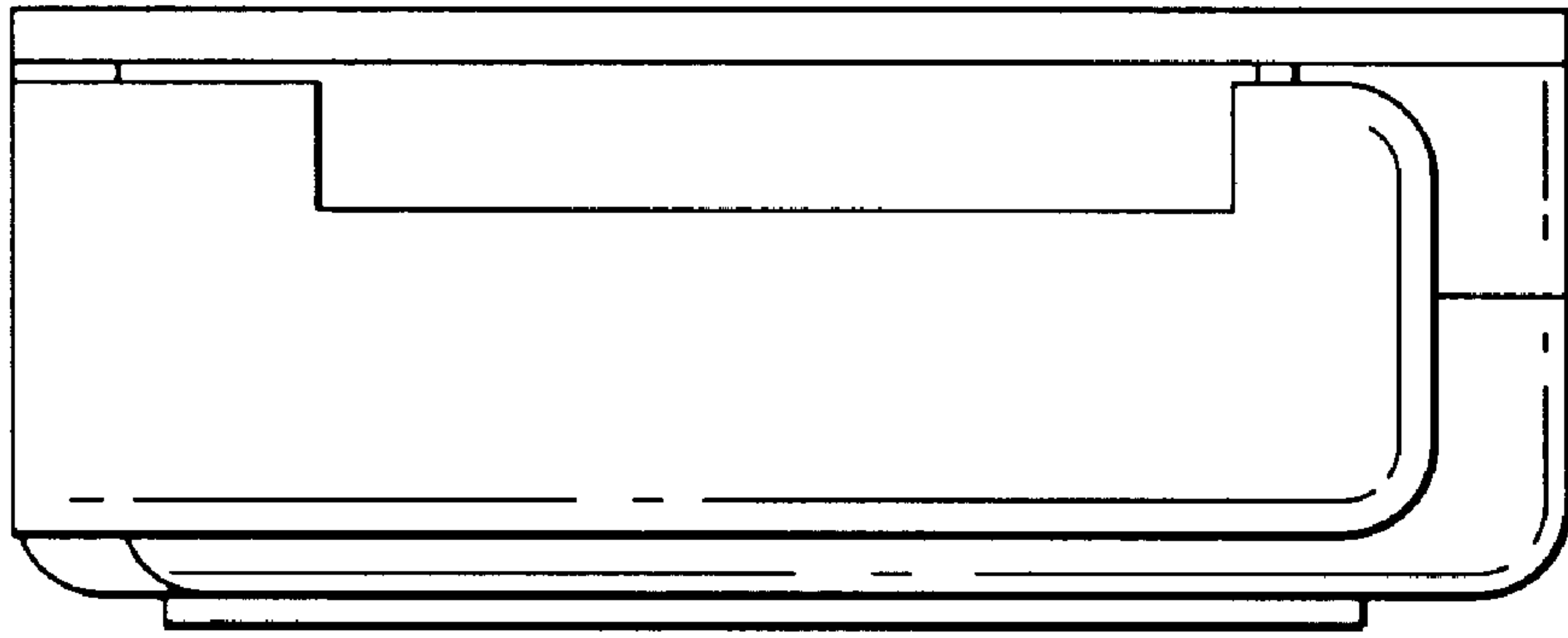


FIG. 6

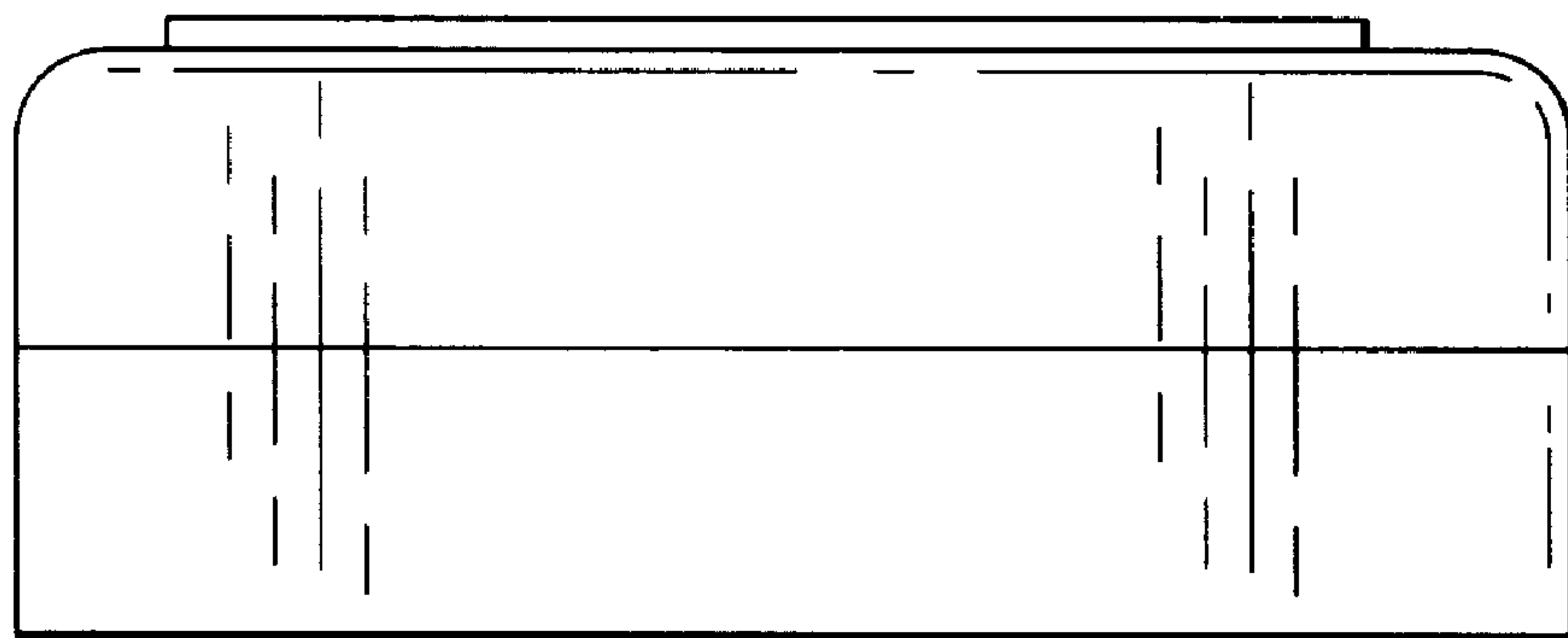


FIG. 7

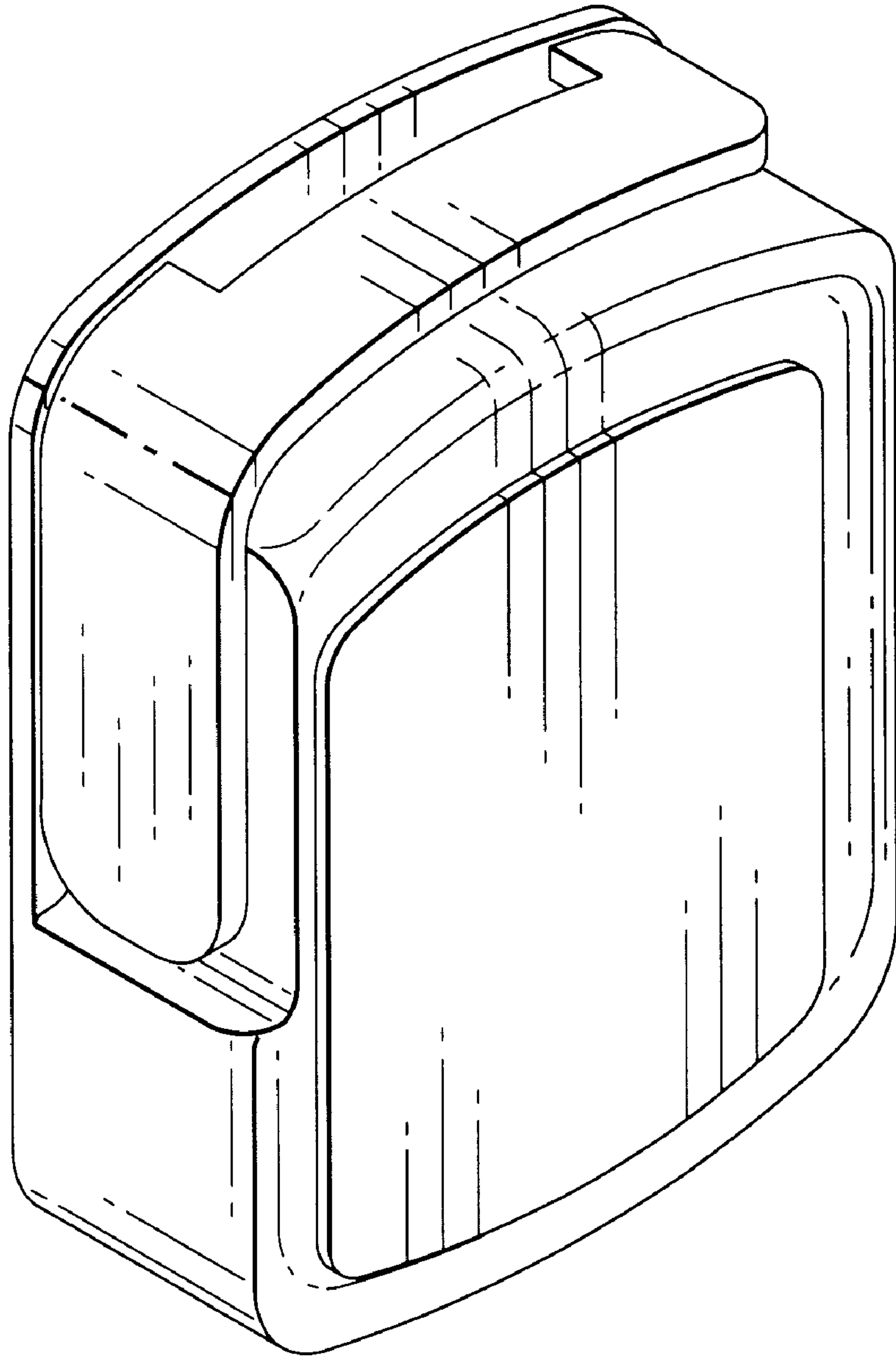


FIG. 8

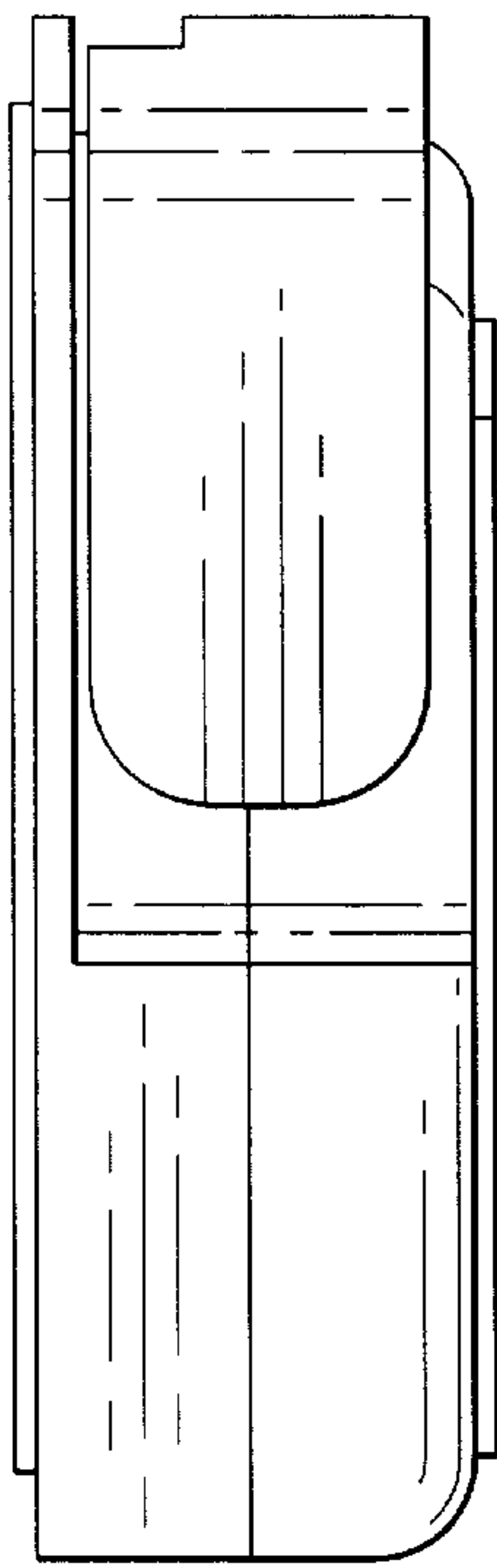


FIG. 10

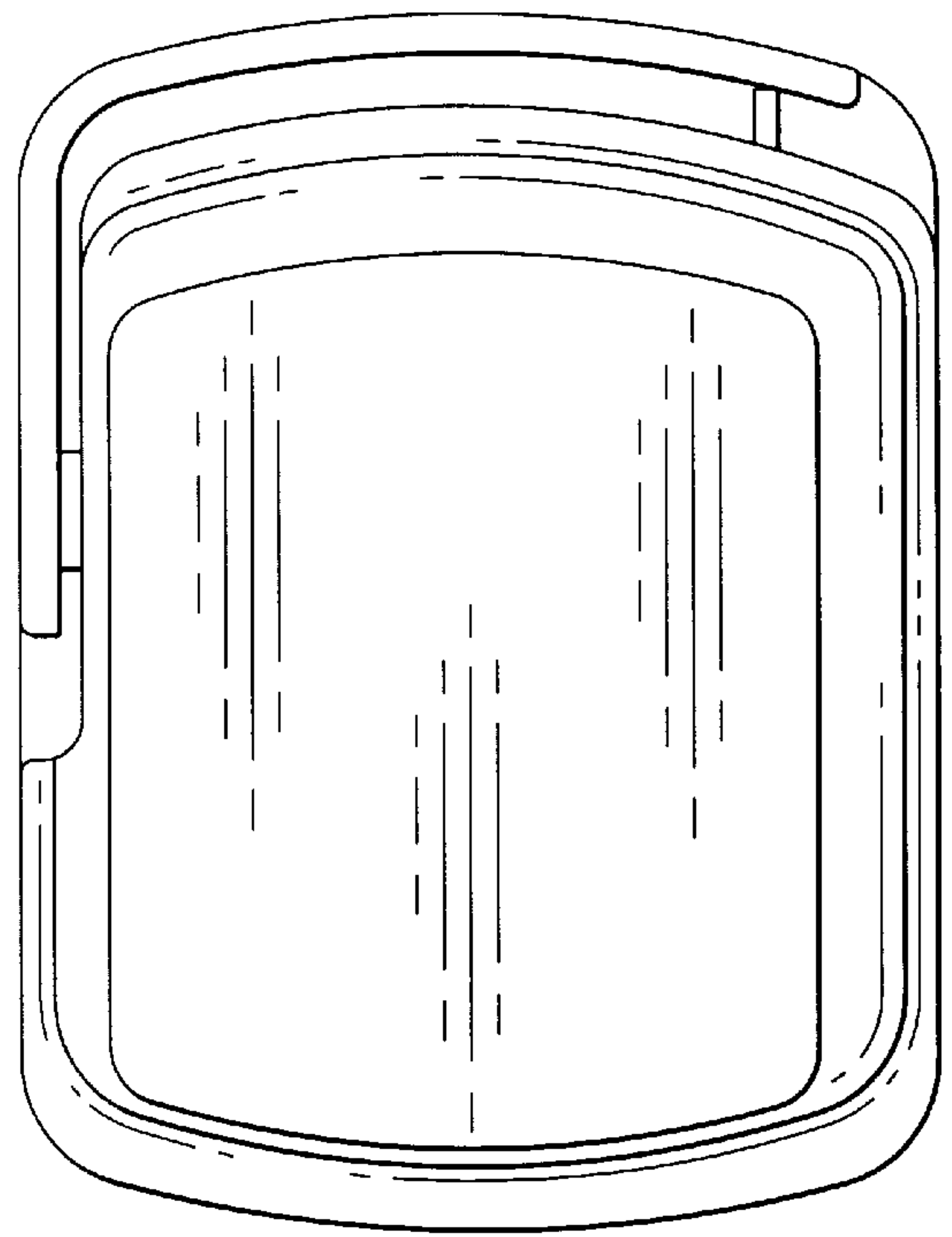


FIG. 9

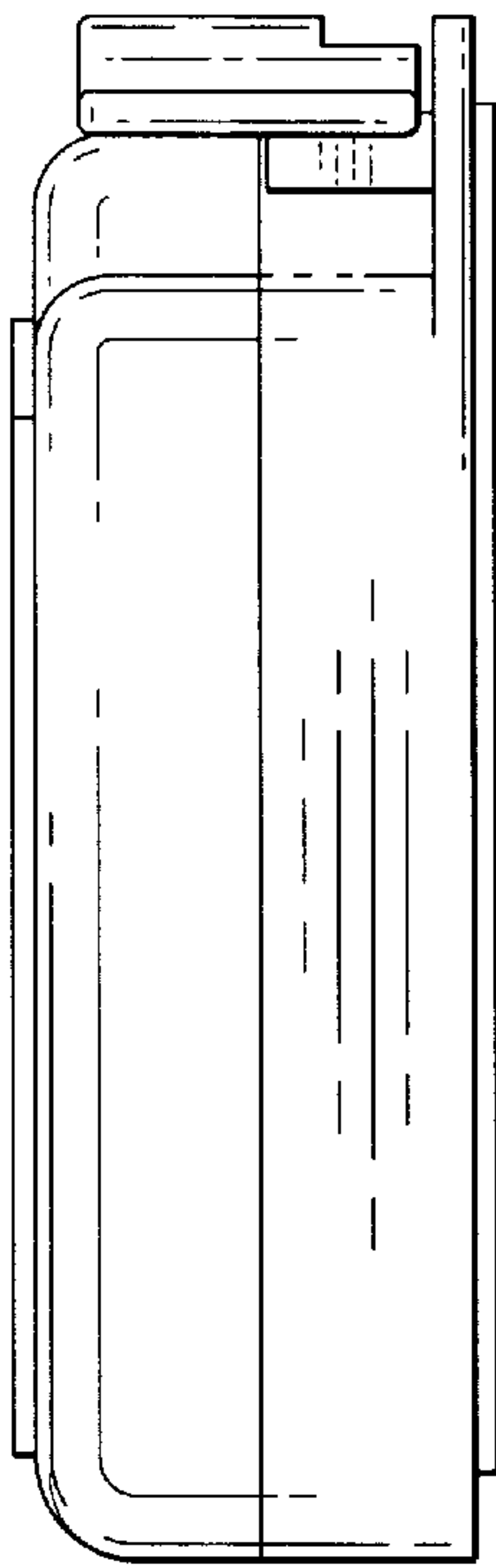


FIG. 12

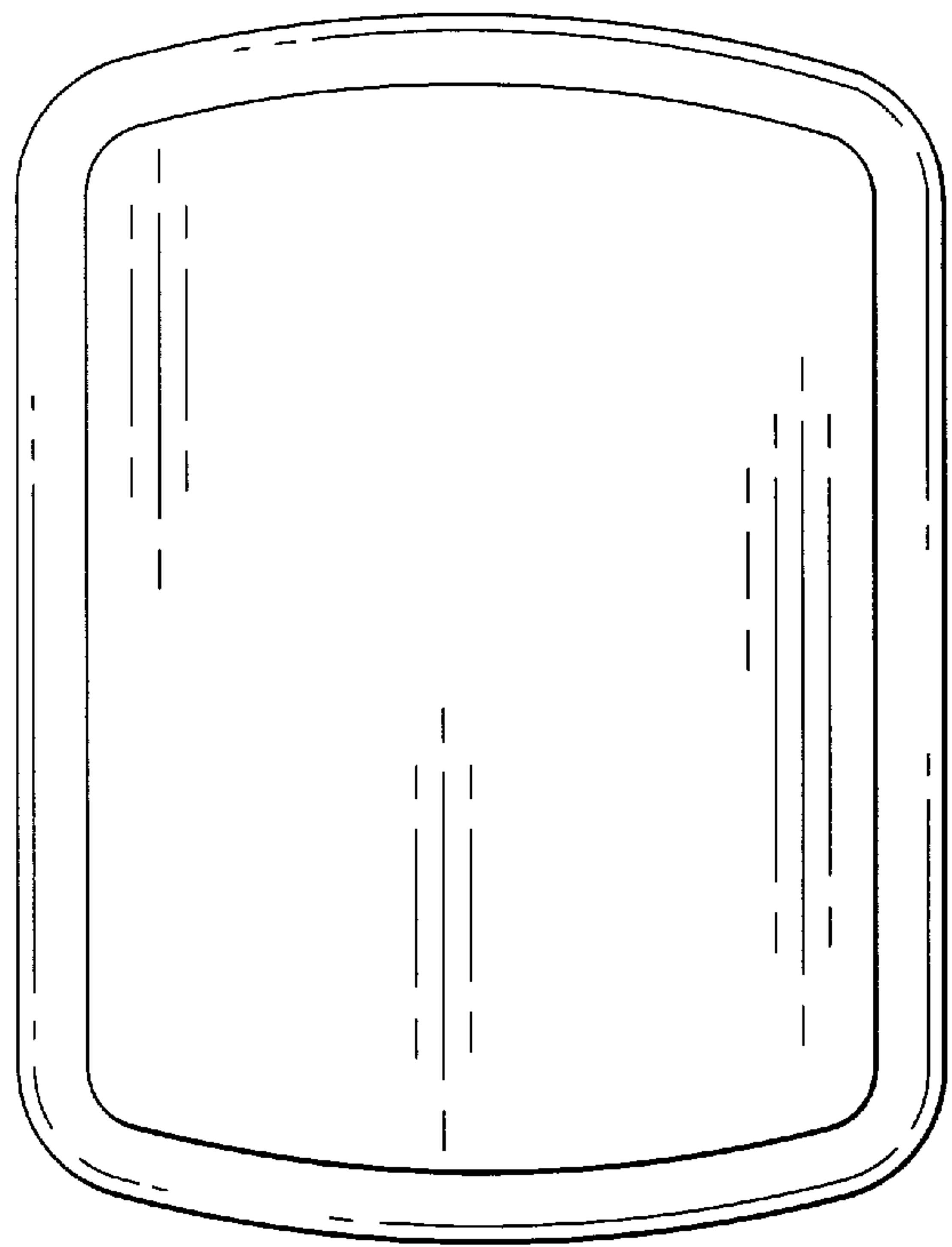


FIG. 11

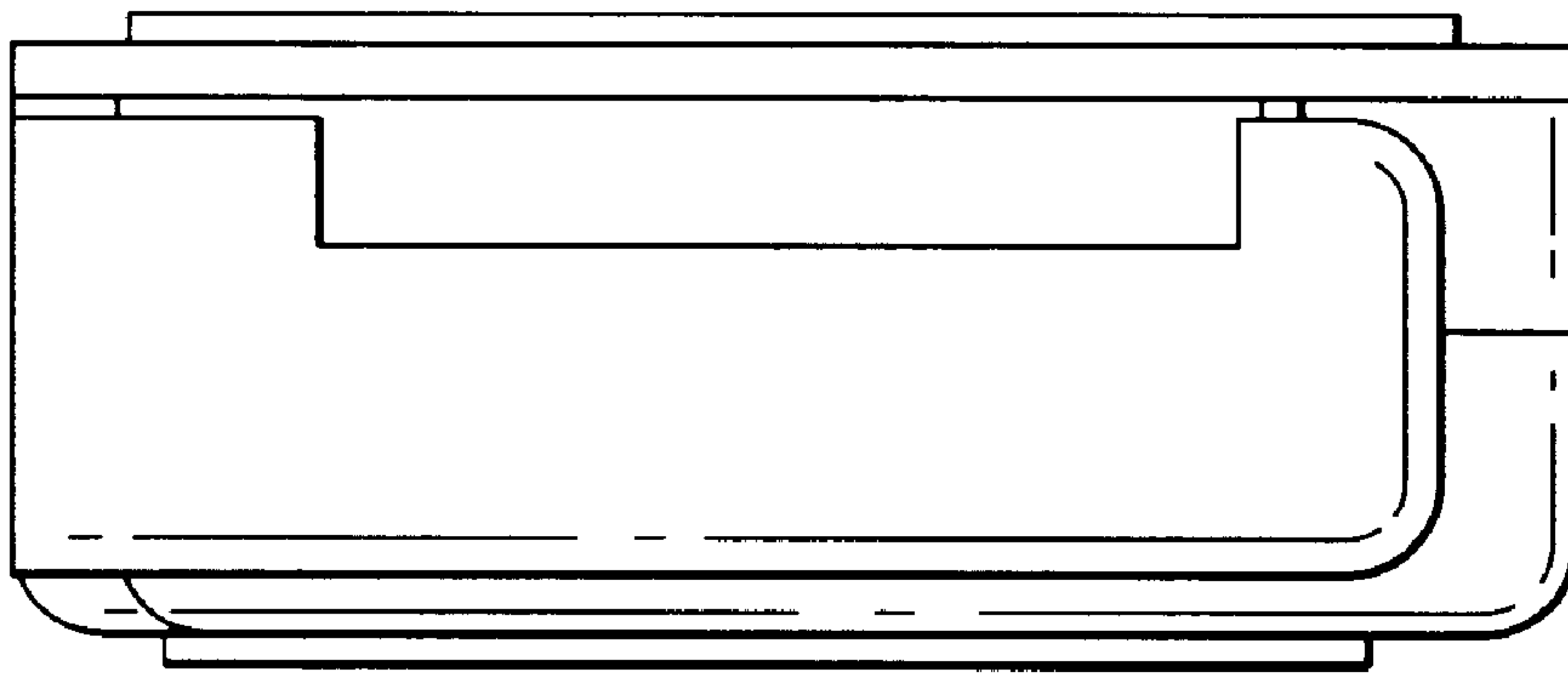


FIG. 13

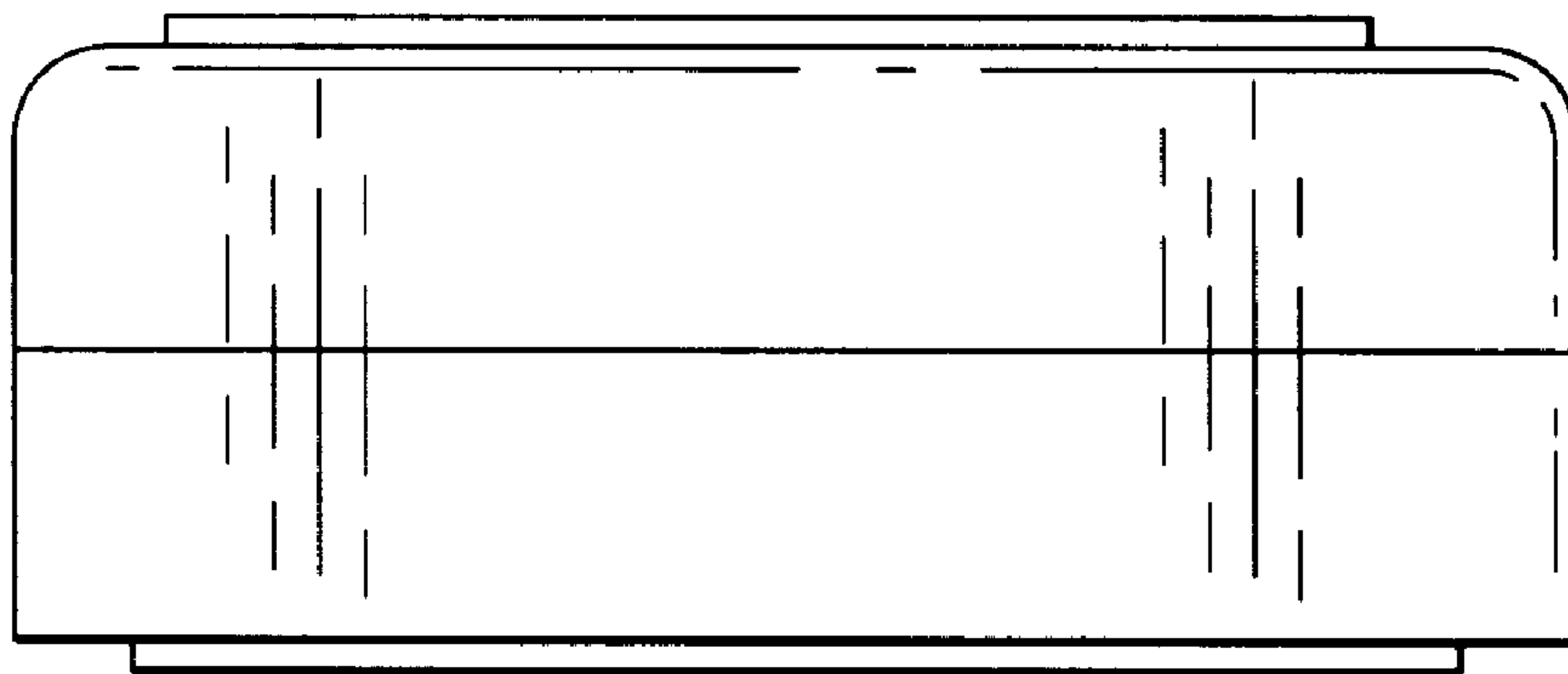


FIG. 14