



US00D432121S

# United States Patent [19] Chen

[11] Patent Number: **Des. 432,121**

[45] Date of Patent: **\*\* Oct. 17, 2000**

[54] **HOLDER FOR A MOBILE TELEPHONE FOR AN AUTOMOBILE**

[75] Inventor: **Tonny Chen**, Chang-Hua, Taiwan

[73] Assignee: **E-Lead Electronics Co., Ltd.**,  
Chang-Hua, Taiwan

[\*\*] Term: **14 Years**

[21] Appl. No.: **29/115,322**

[22] Filed: **Dec. 13, 1999**

[51] **LOC (7) Cl.** ..... **14-03**

[52] **U.S. Cl.** ..... **D14/253; D14/243**

[58] **Field of Search** ..... D14/137, 138,  
D14/243, 148, 147, 149-151, 140-142,  
240, 241, 251, 253; 379/433-436, 419,  
420, 428, 440, 454, 455, 446, 447; D13/107,  
108; 320/110, 113, 114, 115

[56] **References Cited**

**U.S. PATENT DOCUMENTS**

D. 216,374	12/1969	Yran	.....	D13/108 X
D. 320,991	10/1991	Nagai et al.	.....	D14/251
D. 360,210	7/1995	Rudkiewicz et al.	.....	D14/253
D. 363,491	10/1995	Hellier et al.	.....	D14/243
D. 368,098	3/1996	Su	.....	D14/253

D. 379,819	6/1997	Kelley et al.	.....	D14/253
D. 384,080	9/1997	Beutler et al.	.....	D14/253
D. 385,888	11/1997	Beutler et al.	.....	D14/253
D. 390,849	2/1998	Richter et al.	.....	D14/253
D. 405,453	2/1999	Richter	.....	D14/253
D. 411,542	6/1999	Richter	.....	D14/253
5,555,302	9/1996	Wang	.....	379/446
5,694,468	12/1997	Hsu	.....	379/446
5,839,919	11/1998	Chen	.....	379/446 X
5,846,563	11/1998	Hsin-Yung	.....	379/455 X
6,035,036	3/2000	Eisenbraun et al.	.....	379/446

*Primary Examiner*—Jeffrey Asch  
*Attorney, Agent, or Firm*—Rosenberg, Klein & Lee

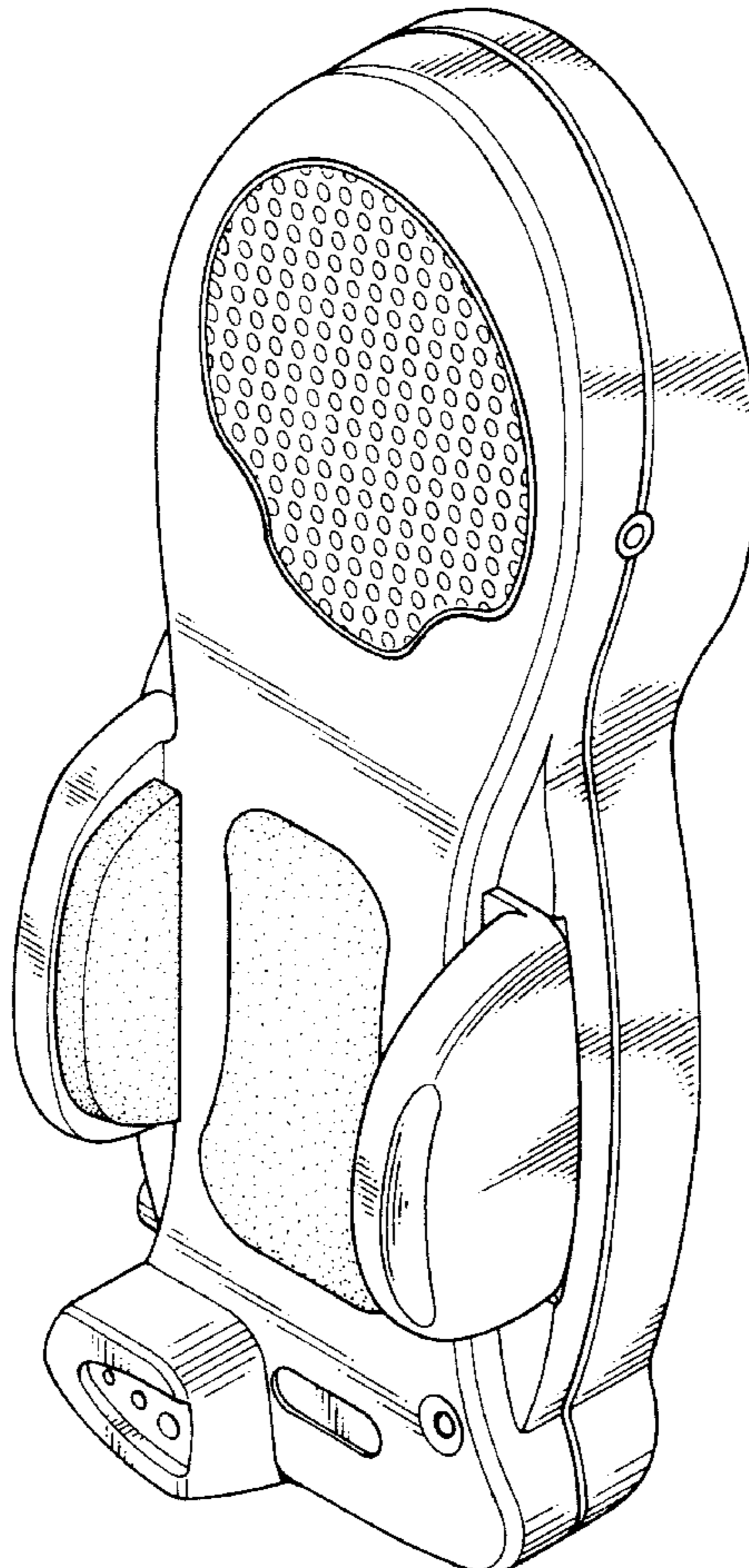
[57] **CLAIM**

The ornamental design for a holder for a mobile telephone for an automobile, as shown and described.

**DESCRIPTION**

FIG. 1 is a perspective view of holder for a mobile telephone for an automobile showing my new design;  
FIG. 2 is a front elevation view thereof;  
FIG. 3 is a rear elevation view thereof;  
FIG. 4 is a left side elevation view thereof;  
FIG. 5 is a right side elevation view thereof;  
FIG. 6 is a top plan view thereof; and,  
FIG. 7 is a bottom plan view thereof.

**1 Claim, 4 Drawing Sheets**



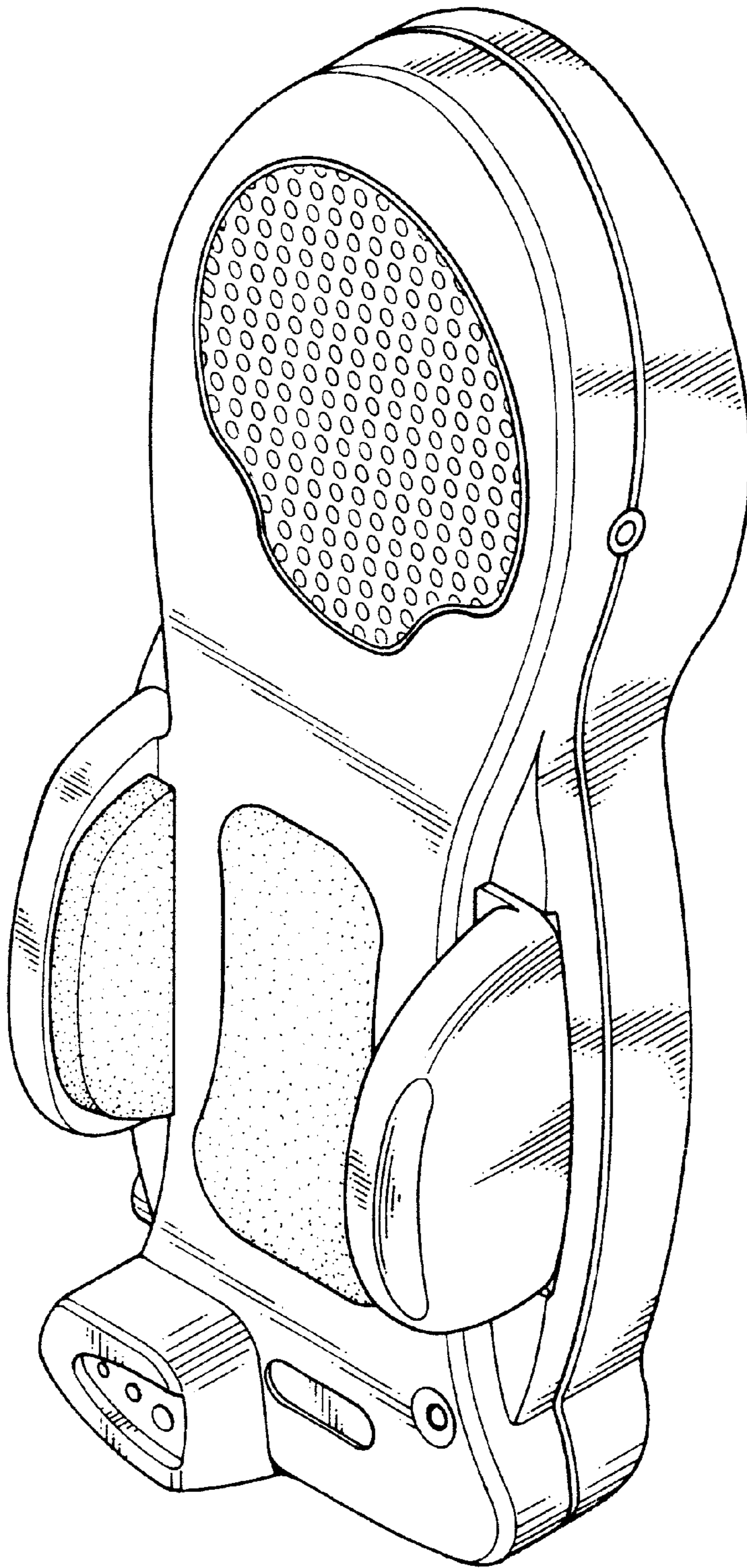


FIG. 1

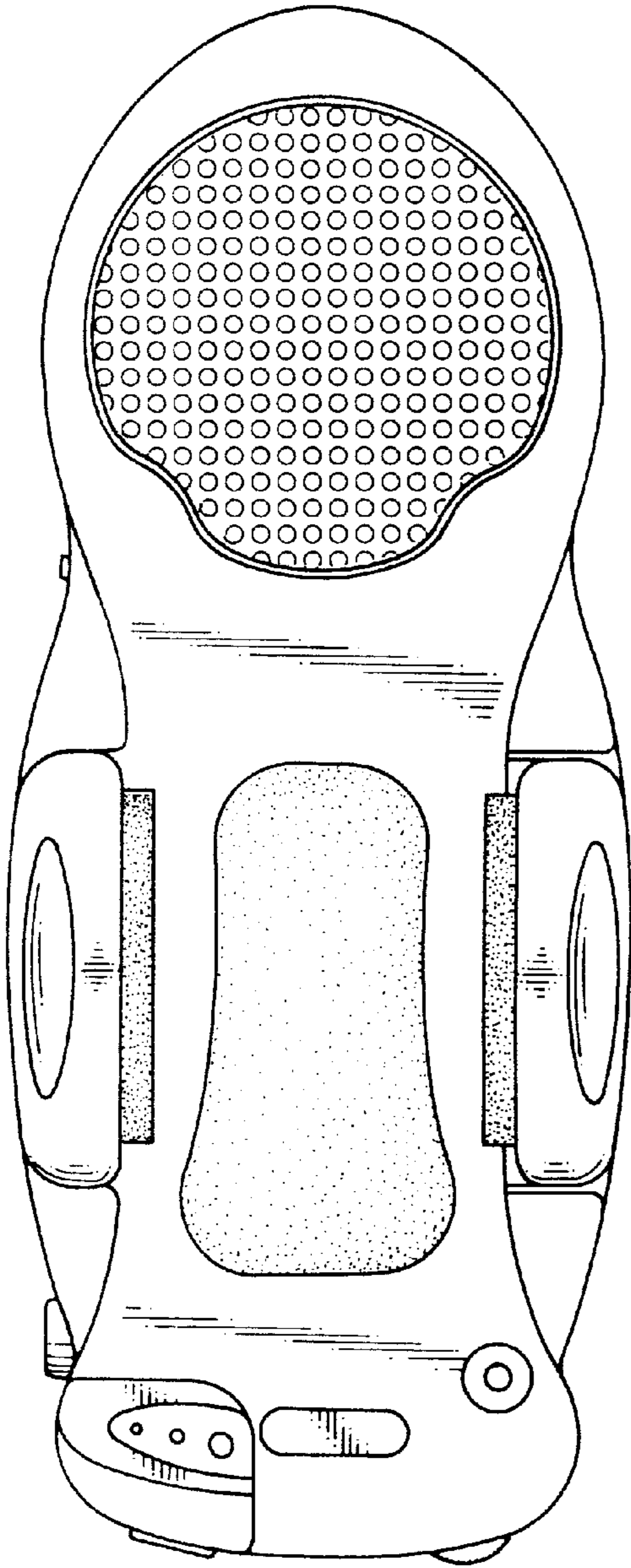


FIG. 2

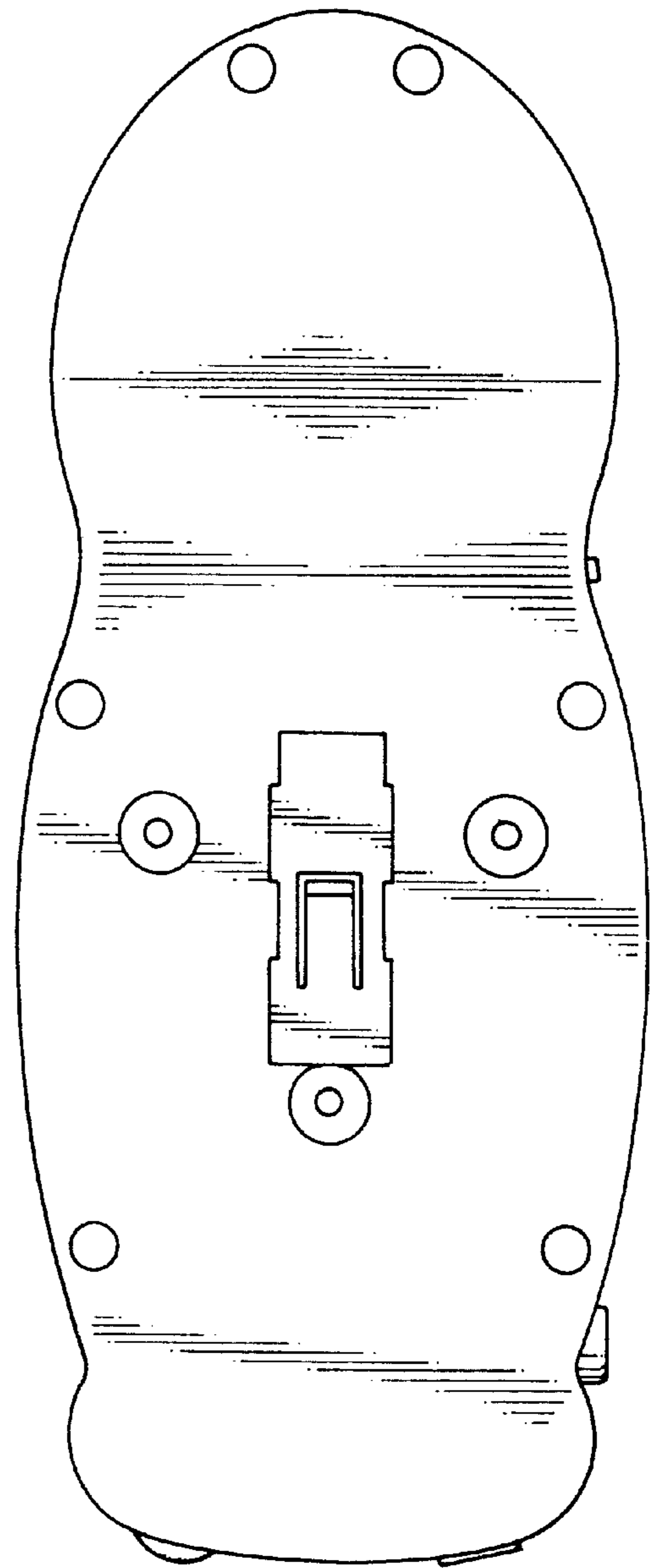


FIG. 3

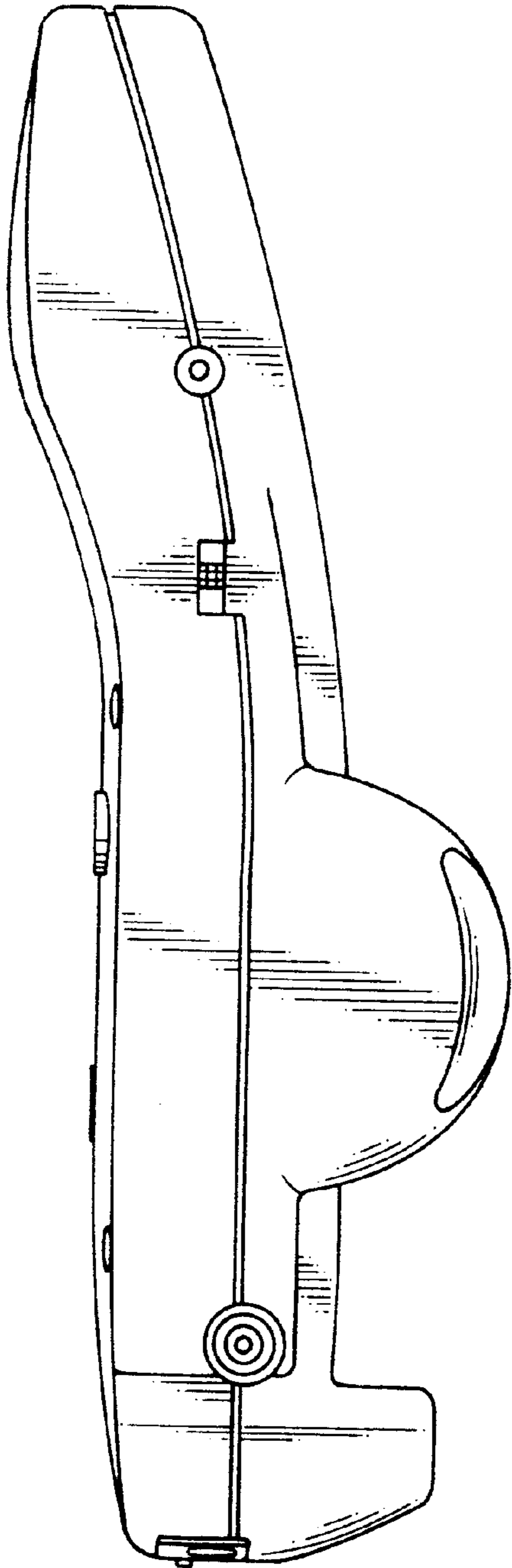


FIG. 4

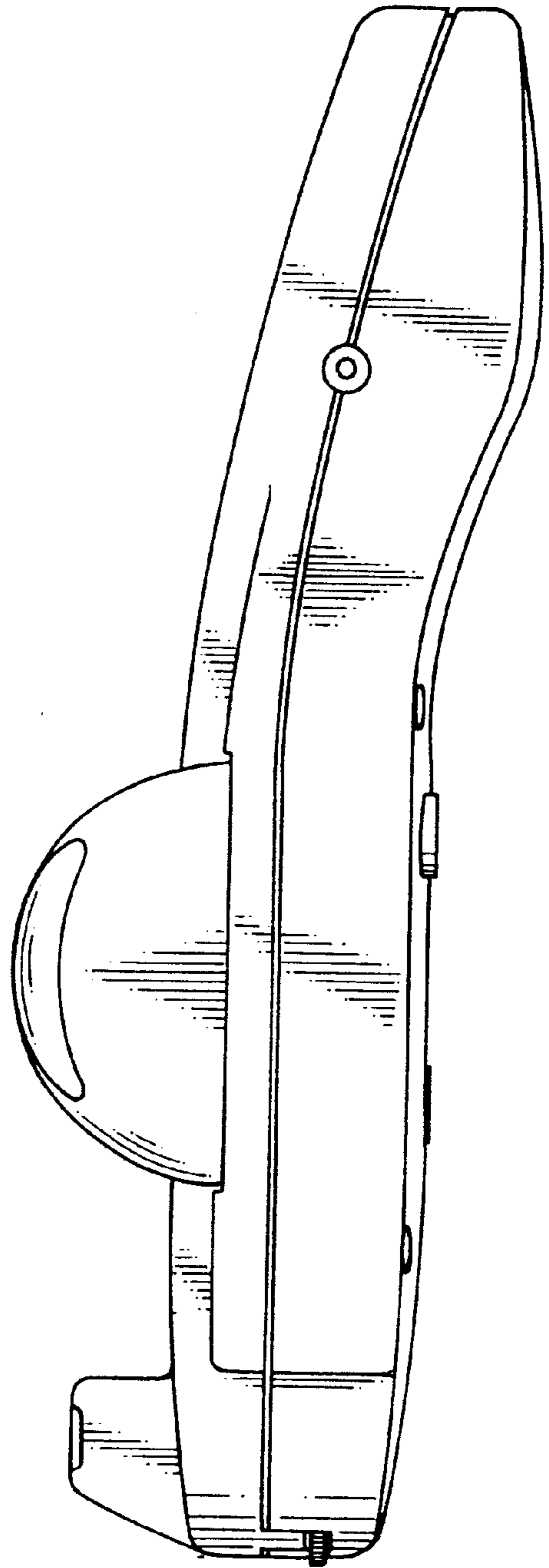


FIG. 5

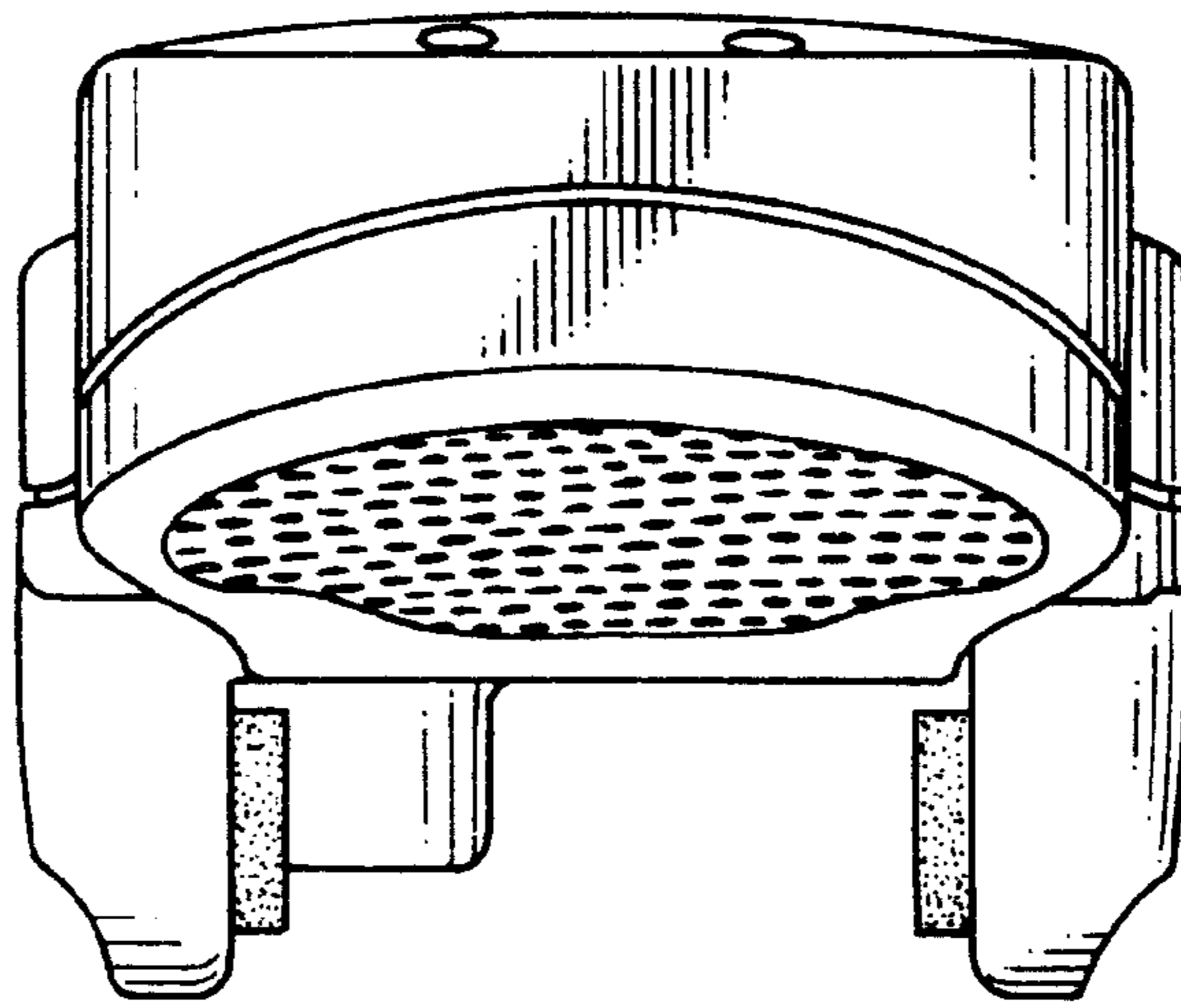


FIG. 6

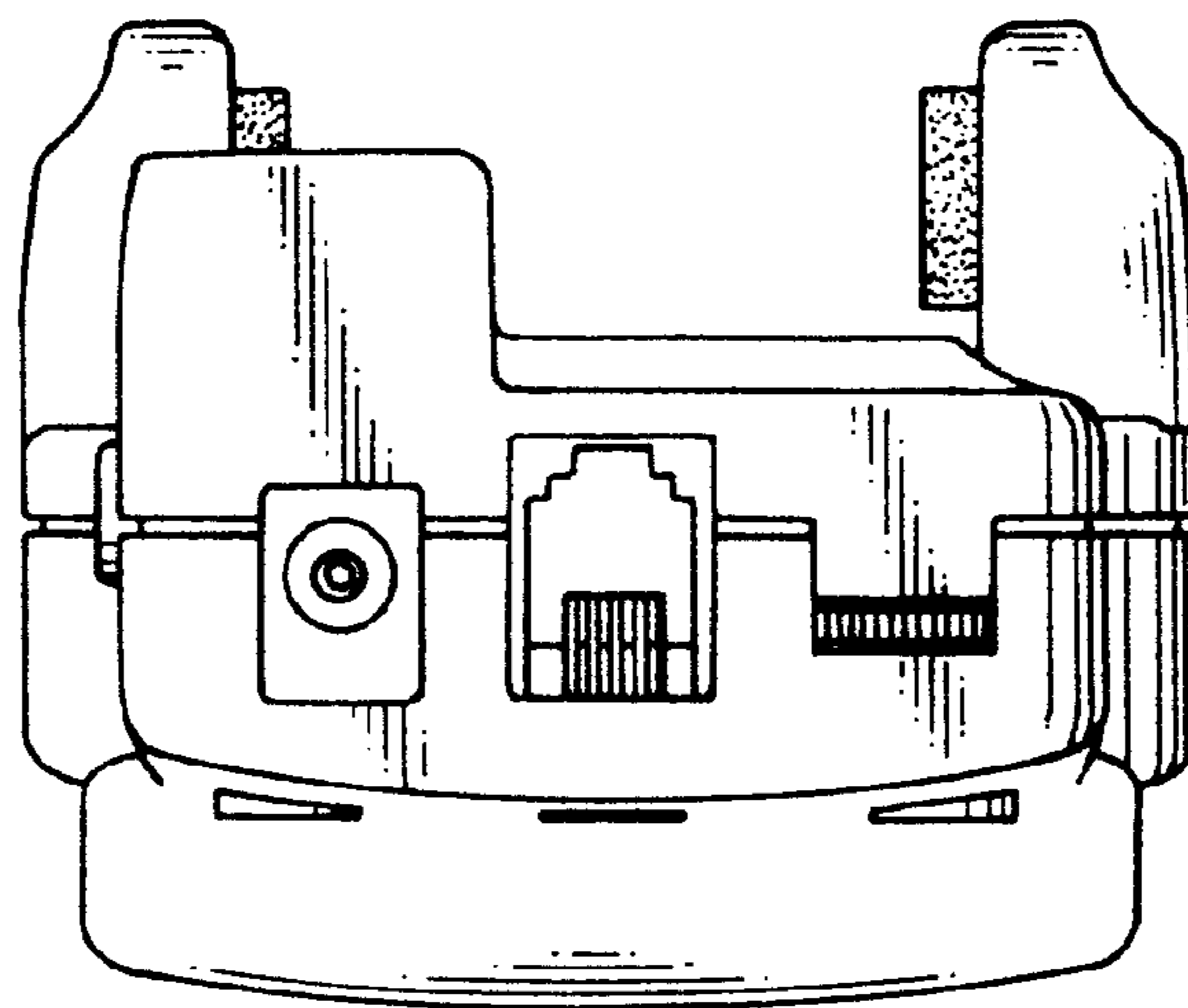


FIG. 7