



US00D432119S

# United States Patent [19]

[11] Patent Number: Des. 432,119

McAteer et al.

[45] Date of Patent: \*\* Oct. 17, 2000

## [54] MICROPHONE

## DESCRIPTION

[76] Inventors: **Jeffrey P. McAteer**, 12915 Fawns Ridge, Indianapolis, Ind. 46038; **Christopher T. Welsh**, 66 Chesterfield Dr., Noblesville, Ind. 46060; **Alan D. Michel**, 522 Concord Ct., Fishers, Ind. 46038

FIG. 1 is a front, top and right side perspective view of a microphone showing our new design;

FIG. 2 is an enlarged view of the detail circled on FIG. 1;

FIG. 3 is a rear, top and left side perspective view of FIG. 1;

[\*\*] Term: 14 Years

FIG. 4 is a top plan view thereof;

FIG. 5 is a right side elevational view thereof; the left side view being a mirror image;

[21] Appl. No.: 29/107,397

FIG. 6 is a front elevational view thereof;

[22] Filed: Jul. 2, 1999

FIG. 7 is a rear elevational view thereof;

[51] LOC (7) Cl. .... 14-01

FIG. 8 is a front, top and right side perspective view of a second embodiment of FIG. 1;

[52] U.S. Cl. .... D14/227

FIG. 9 is an enlarged view the detail circled on FIG. 8;

[58] Field of Search ..... D14/225-229; 181/158, 242; 381/26, 92, 95, 122, 369

FIG. 10 is a rear, top and left side perspective view of FIG. 8;

## [56] References Cited

FIG. 11 is a top plan view thereof;

### U.S. PATENT DOCUMENTS

FIG. 12 is a right side elevational view thereof; the left side view being a mirror image;

D. 177,895	6/1956	Burroughs	.....	D14/225
D. 187,987	5/1960	Kellogg	.....	D14/225
D. 199,398	10/1964	Freeman	.....	D14/227
D. 296,435	6/1988	Kubota	.....	D14/228
D. 299,921	2/1989	Kikutani	.....	D14/227
D. 313,802	1/1991	Peiker	.....	D14/228 X
D. 387,770	12/1997	Liao	.....	D14/228 X
3,459,902	8/1969	Warning	.....	181/158

FIG. 13 is a front elevational view thereof; and,

FIG. 14 is a rear elevational view thereof.

Primary Examiner—Nanda Bondade  
Attorney, Agent, or Firm—Michael D. Fitzpatrick

The bottom views of embodiments 1 and 2 form no part the claimed design.

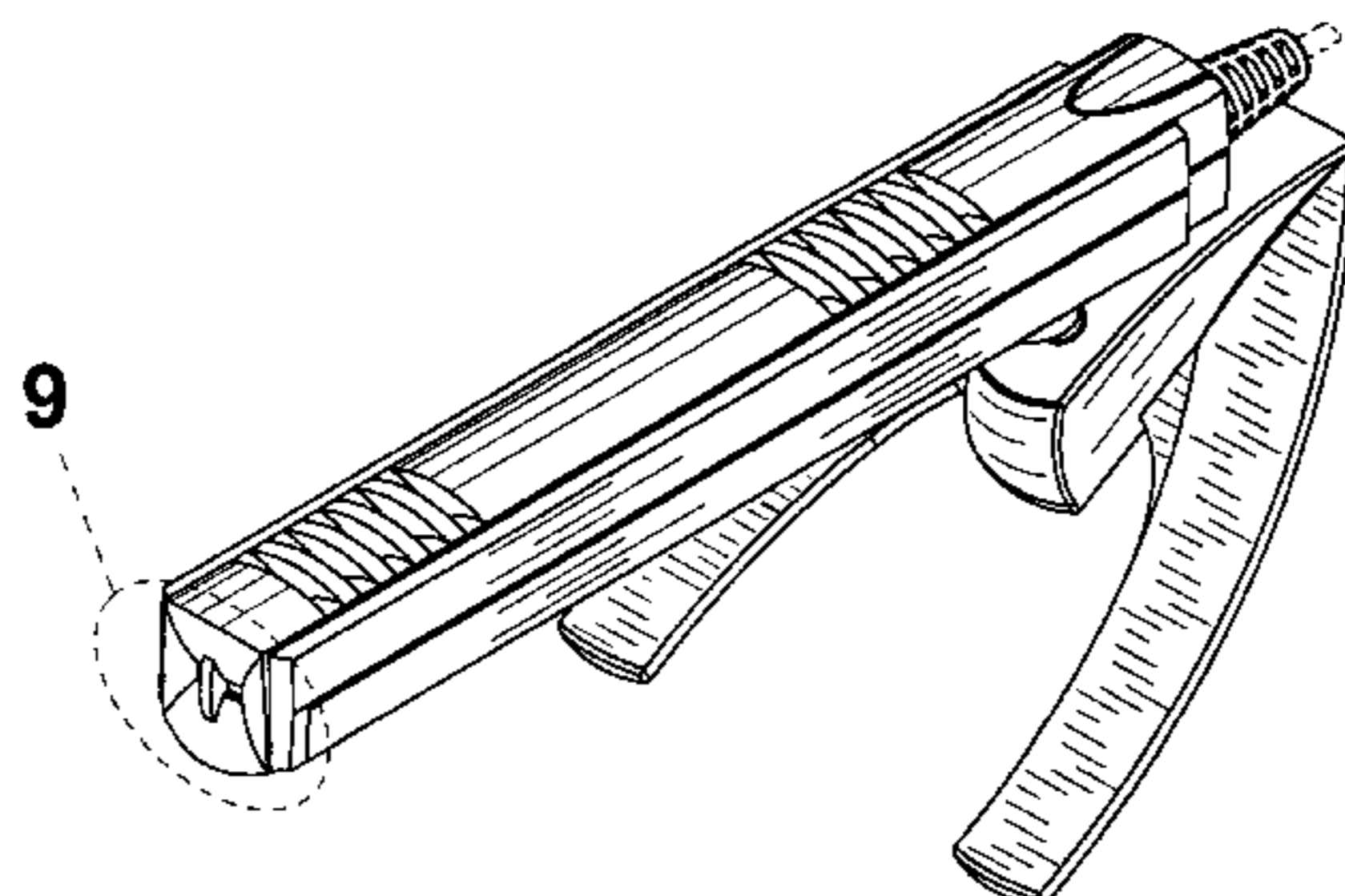
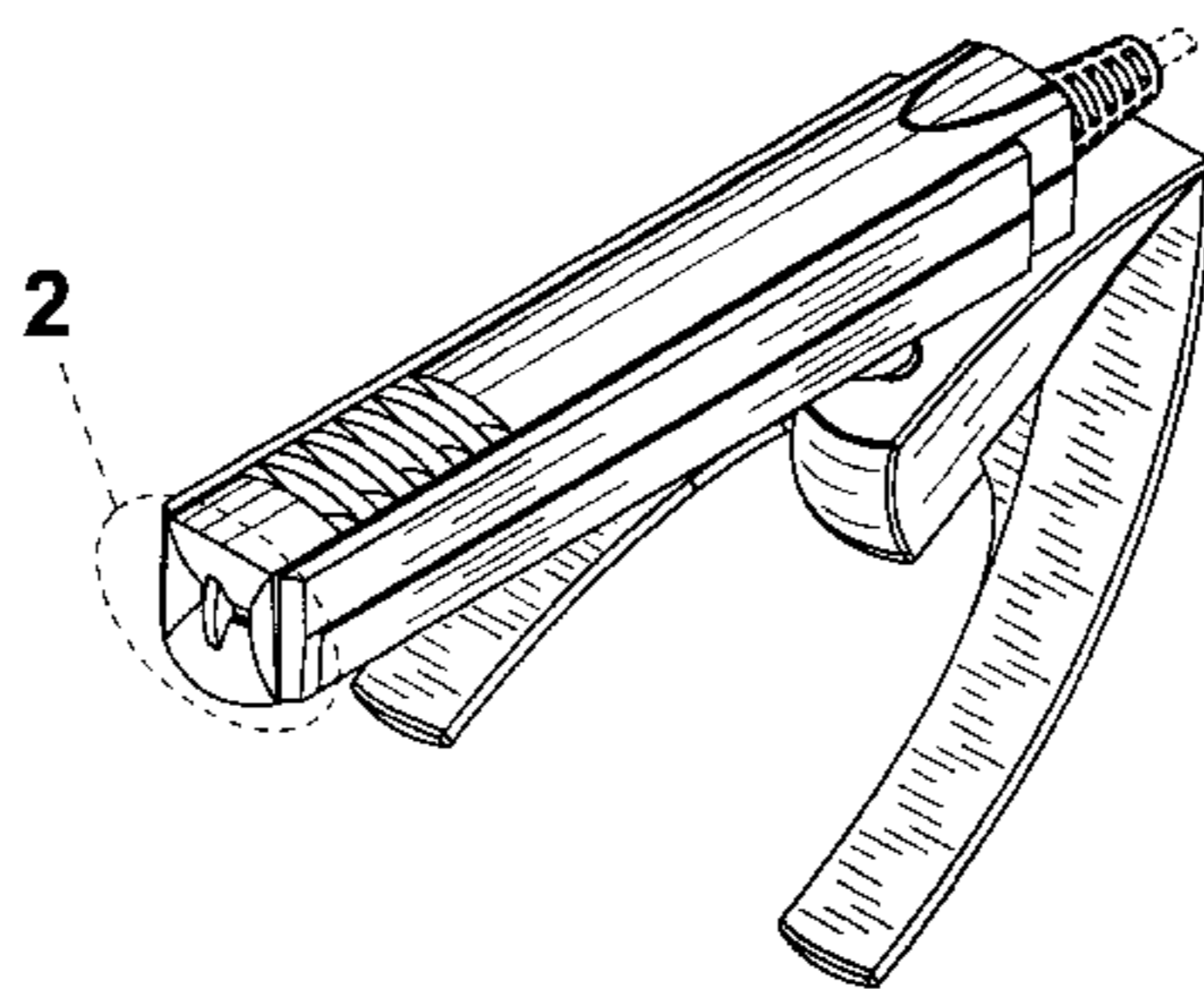
The broken line showing the microphone cord on FIGS. 1, 3-5, 7-8, 10-12 and 14 is for illustrative purposes only and forms no part the claimed design.

The broken line showing on FIGS. 1-2 and 8-9 indicate the detailed area.

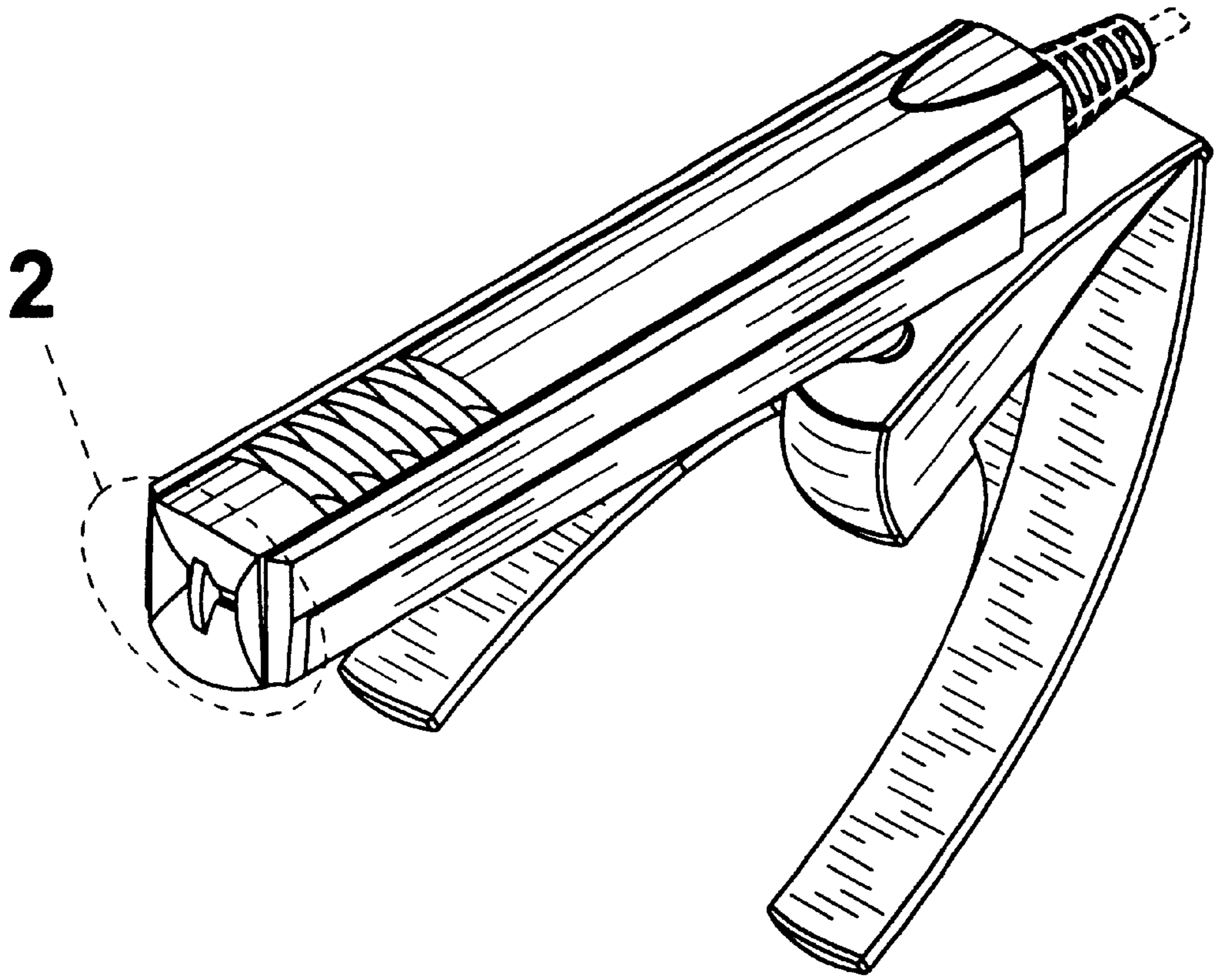
## [57] CLAIM

The ornamental design for a microphone, as shown and described.

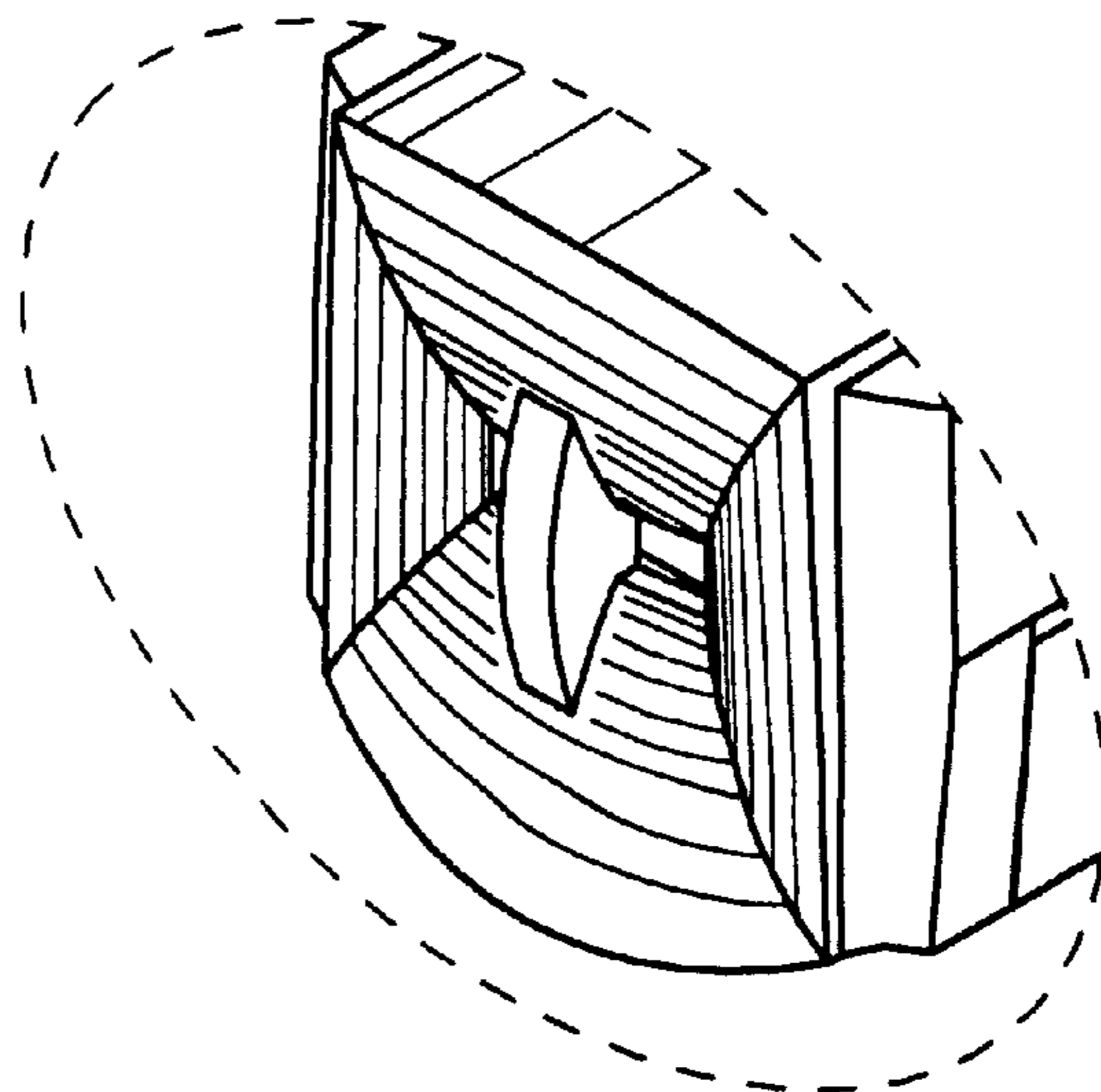
1 Claim, 12 Drawing Sheets



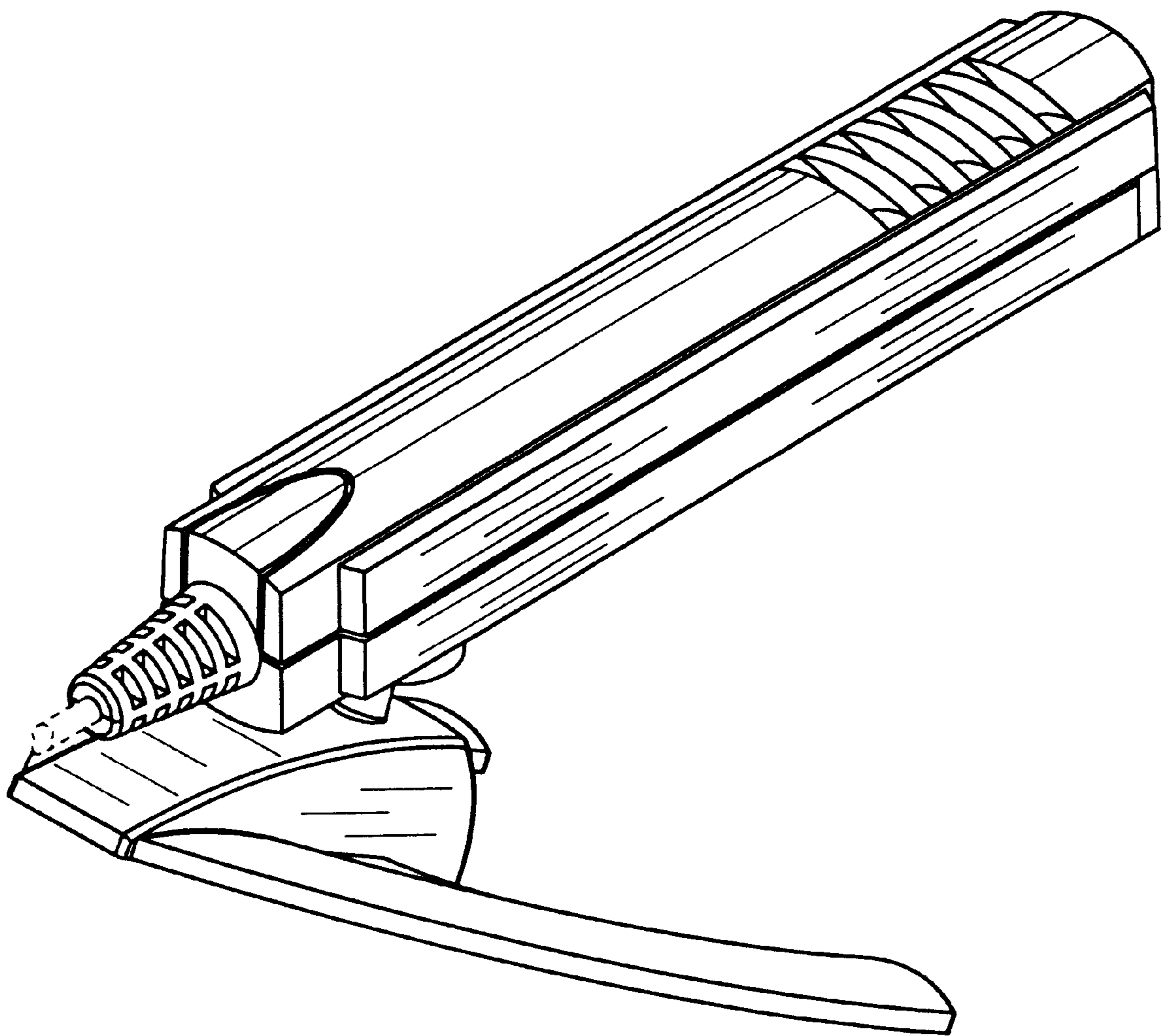
**FIG. 1**



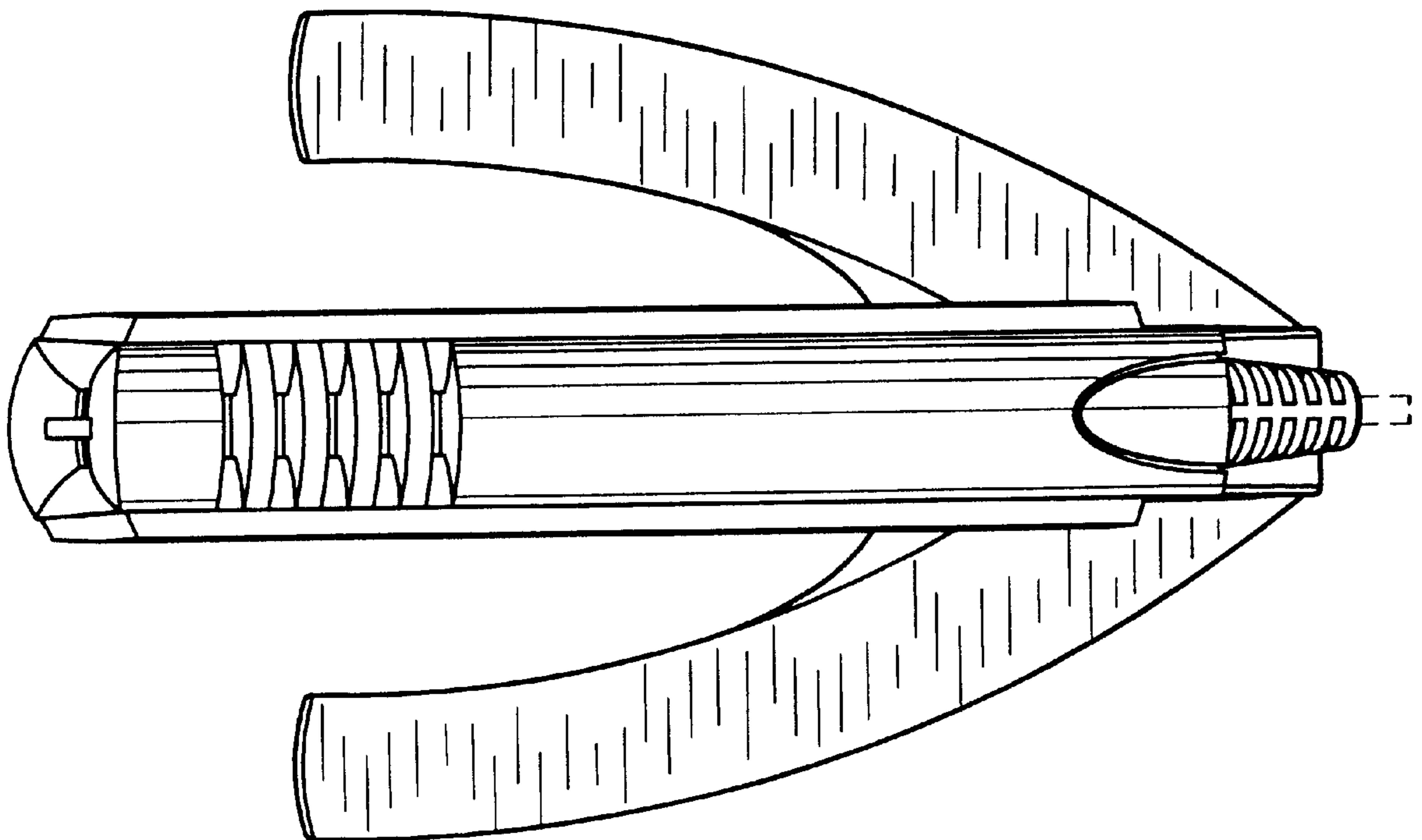
**FIG. 2**



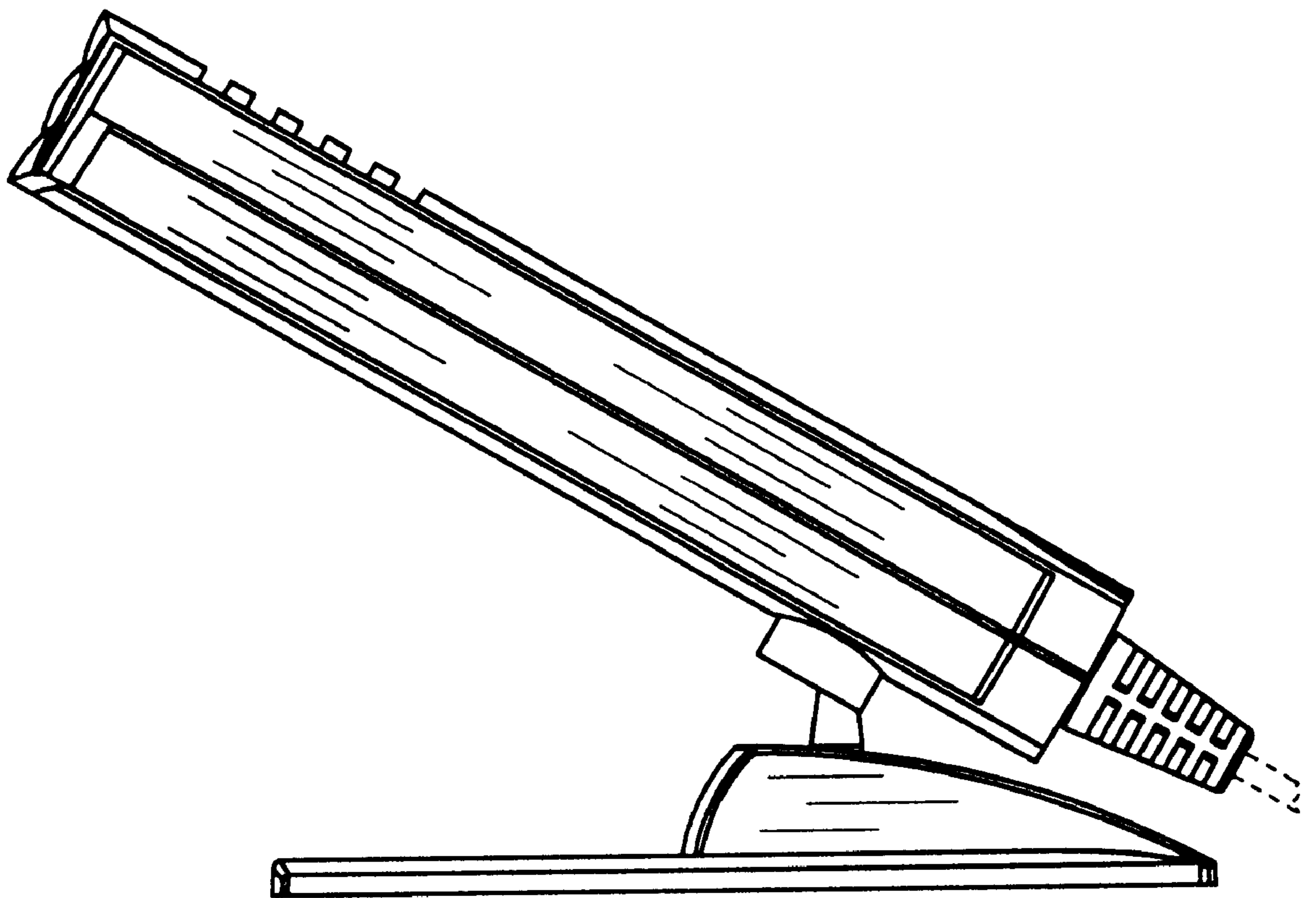
# FIG. 3



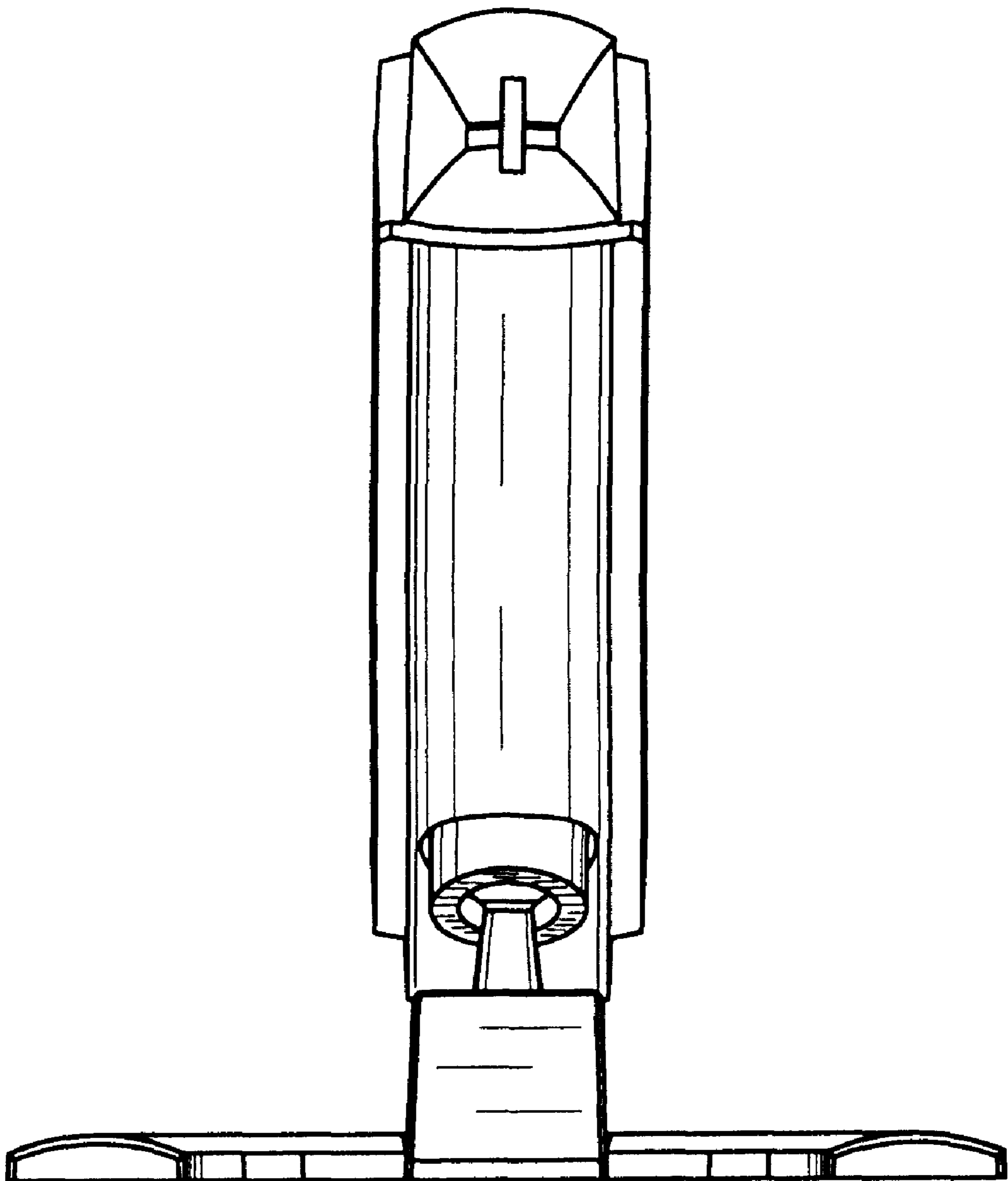
**FIG. 4**



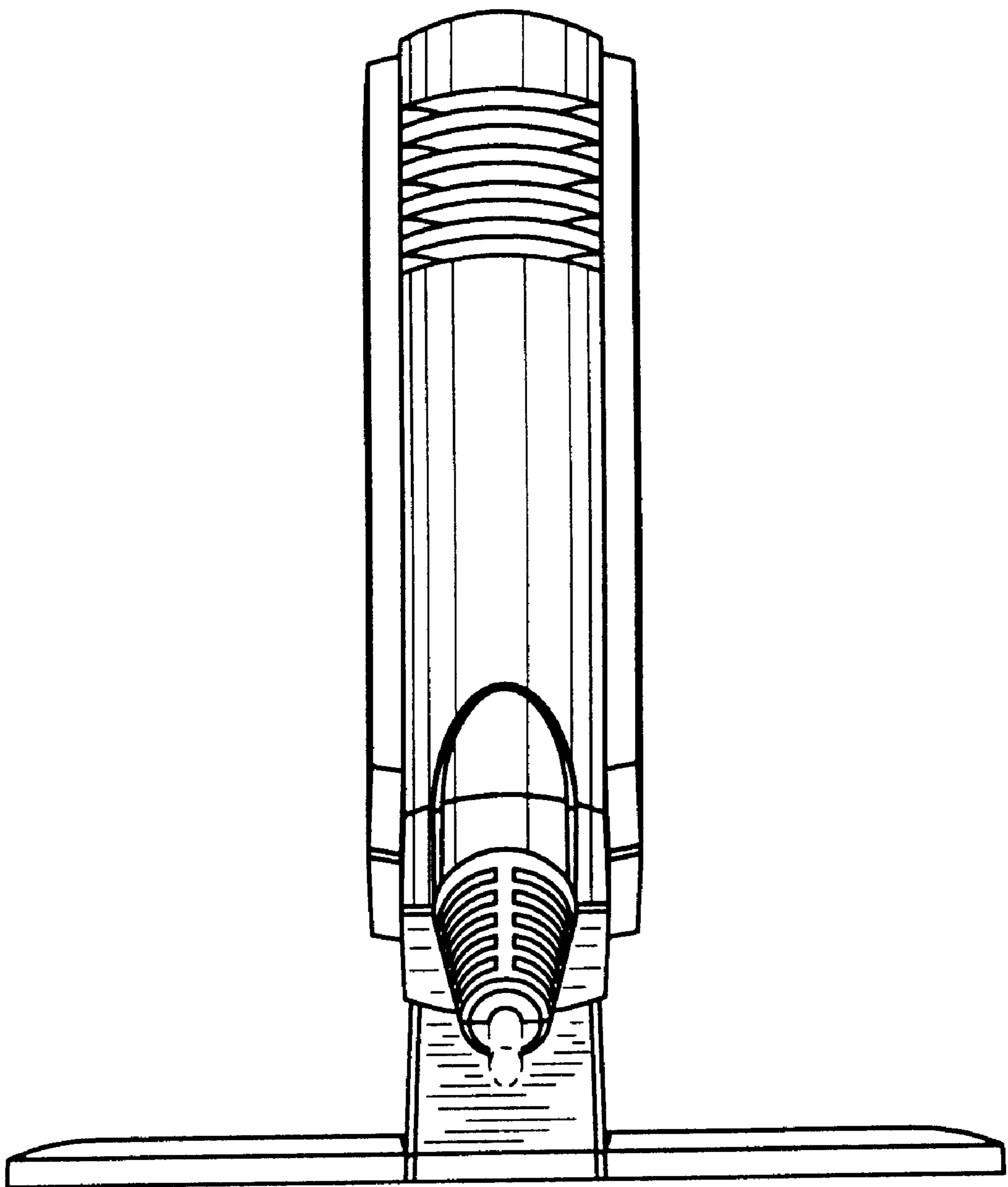
# FIG. 5



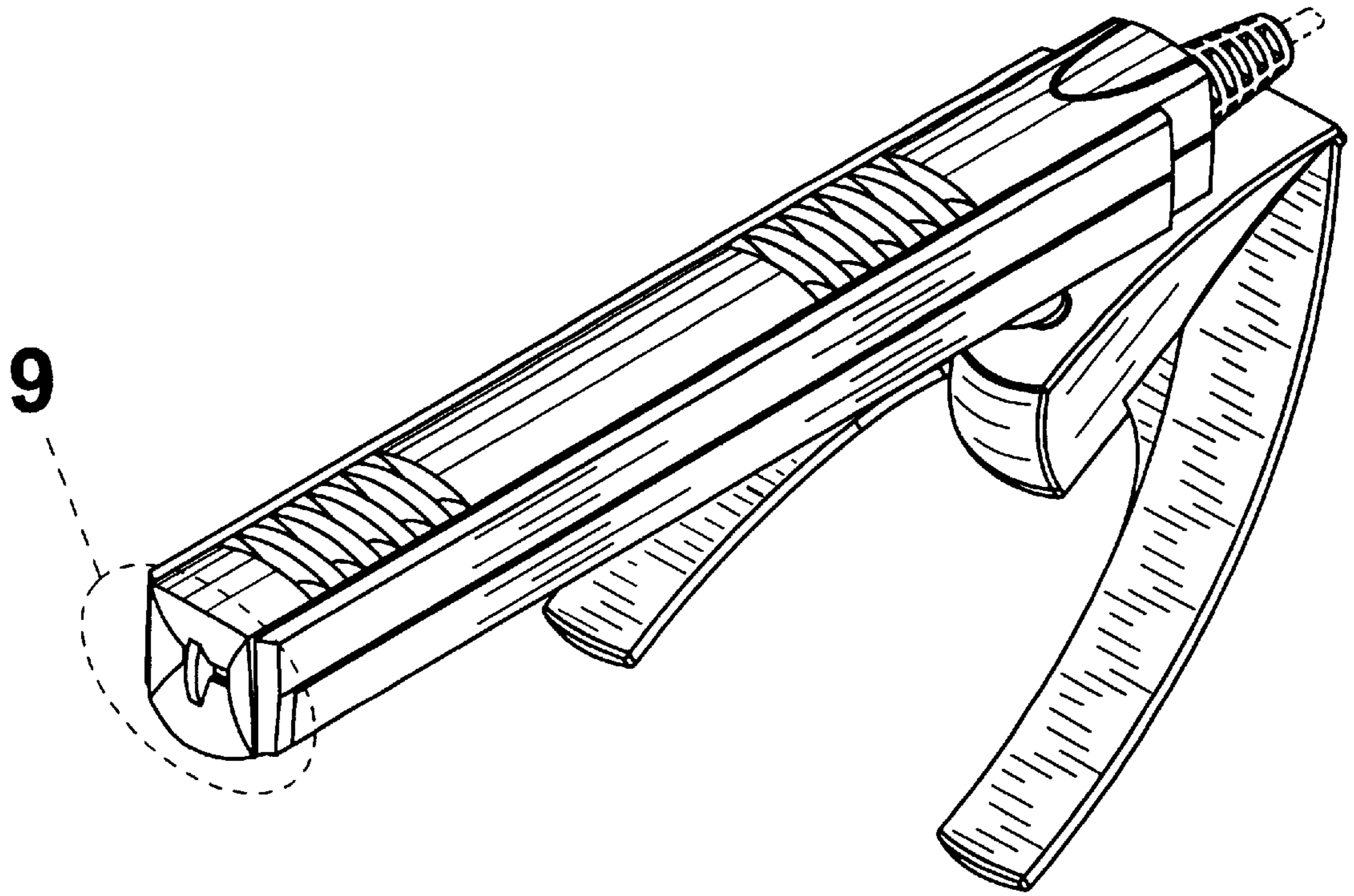
# FIG. 6



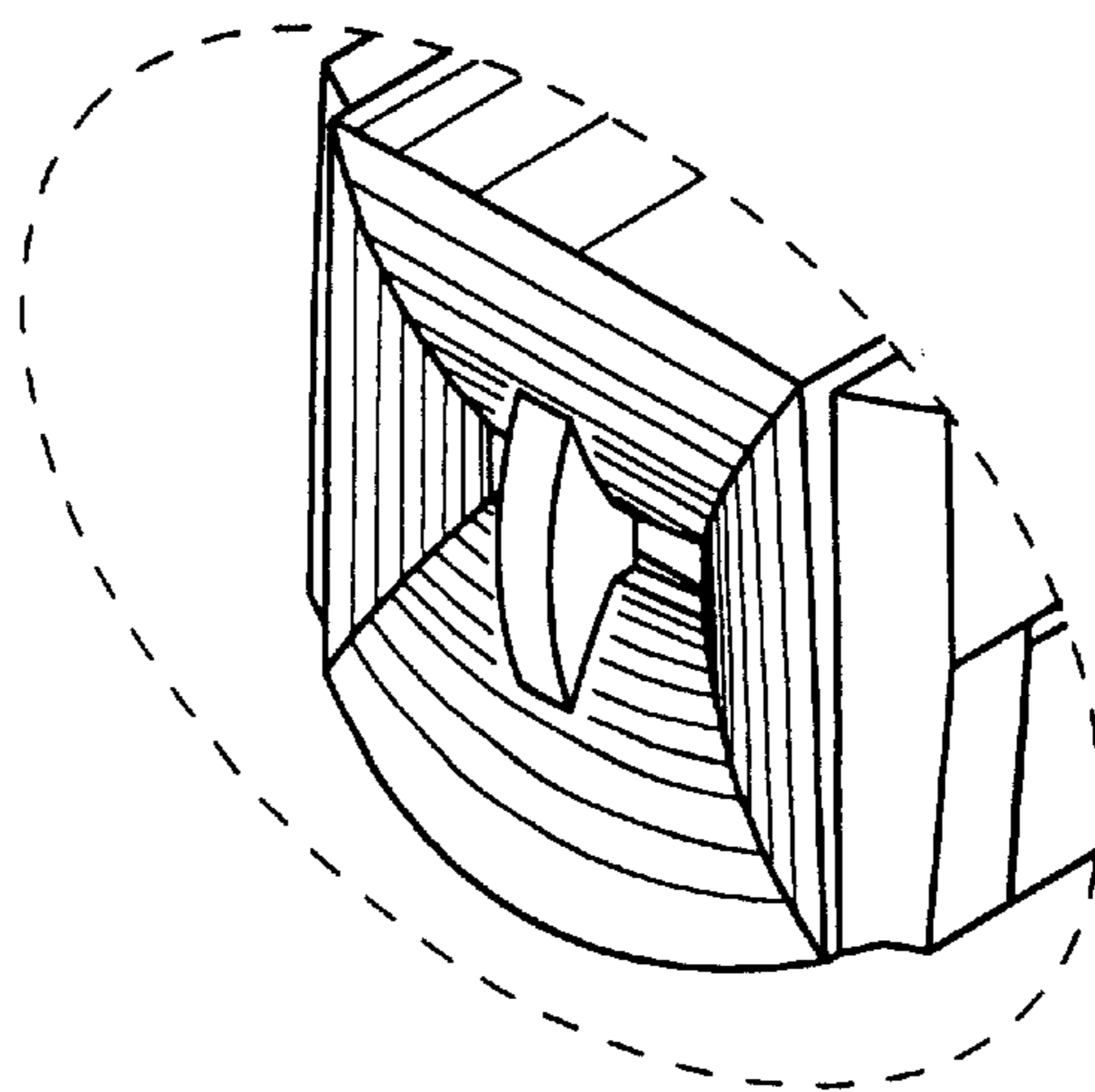
# FIG. 7



**FIG. 8**

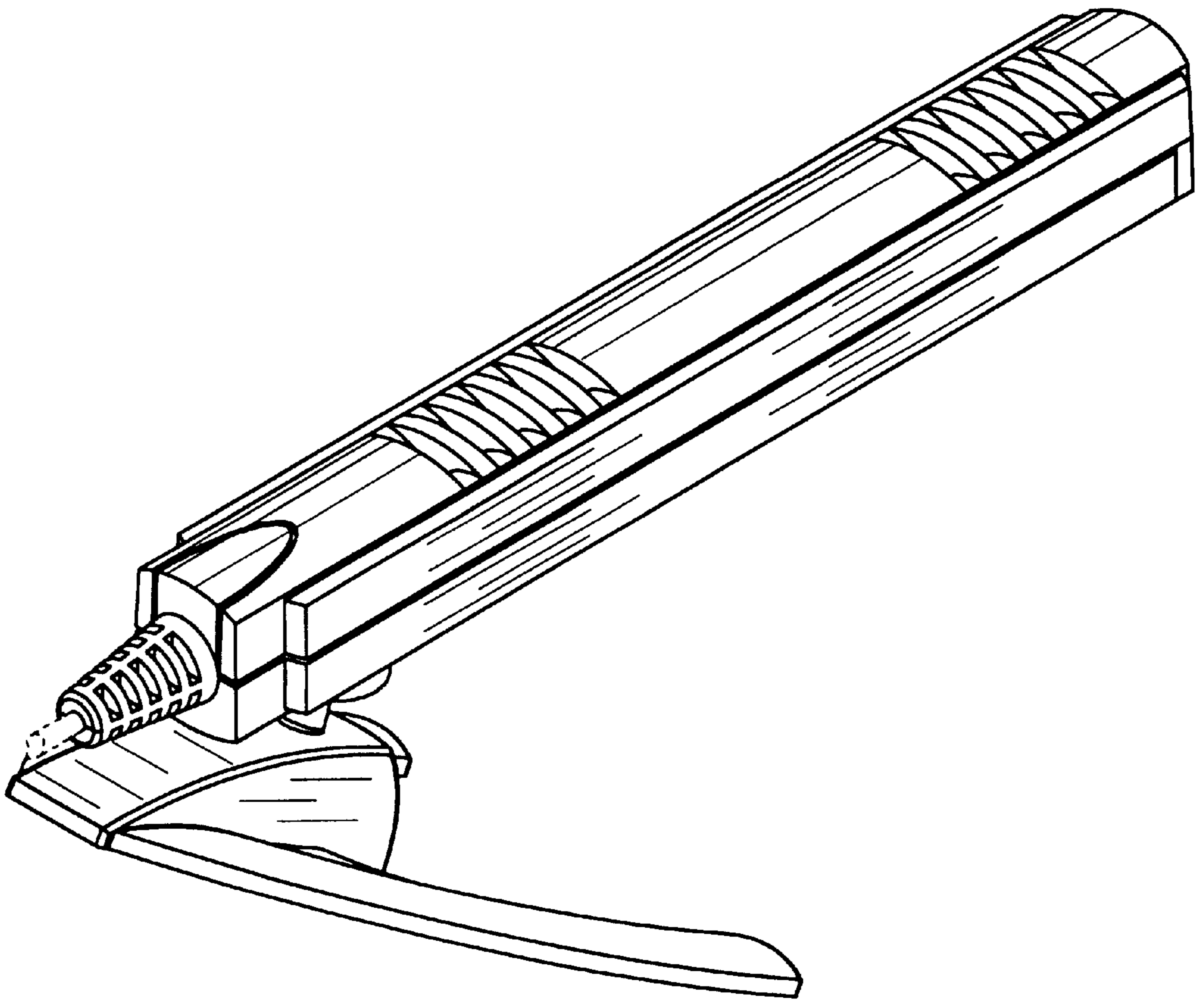


**FIG. 9**

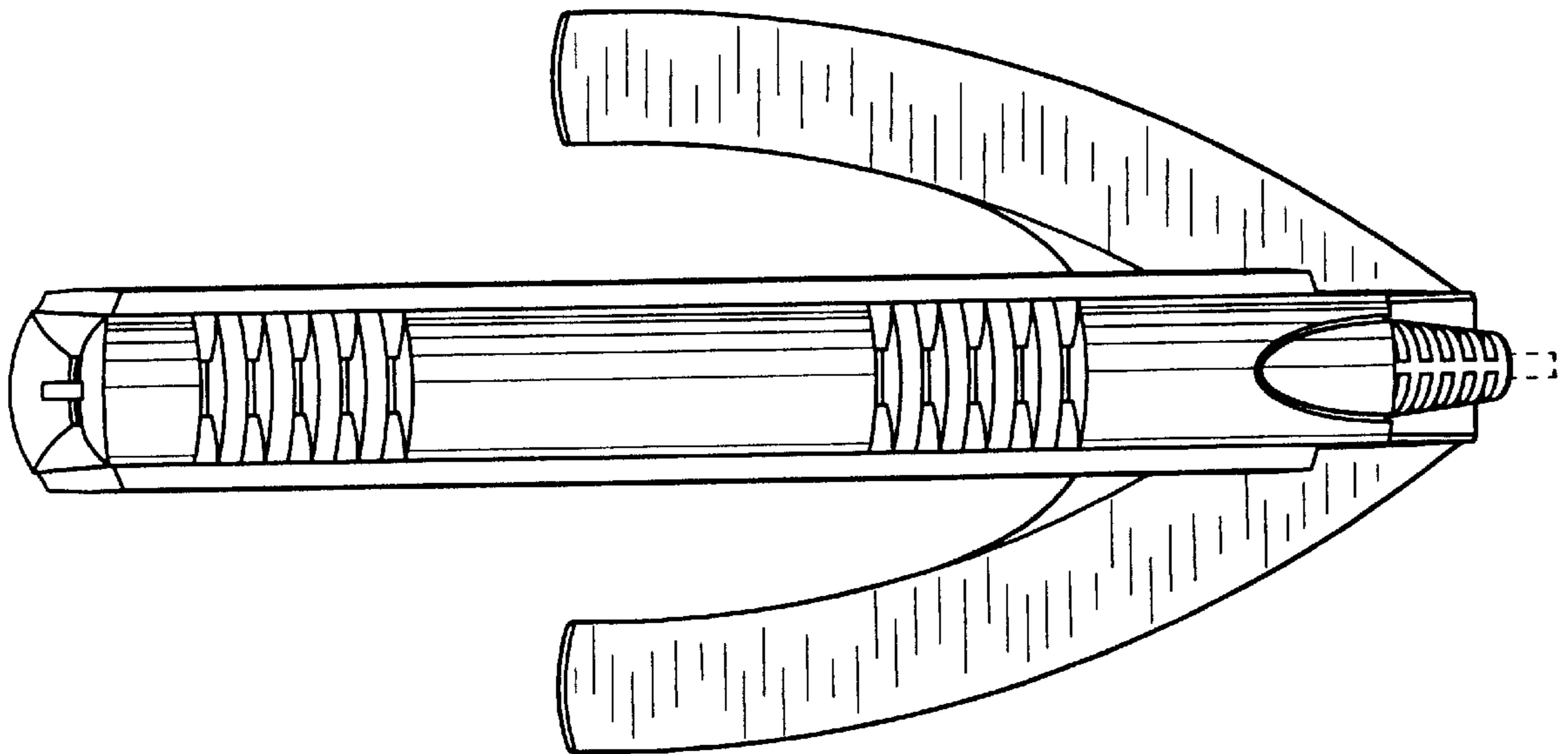




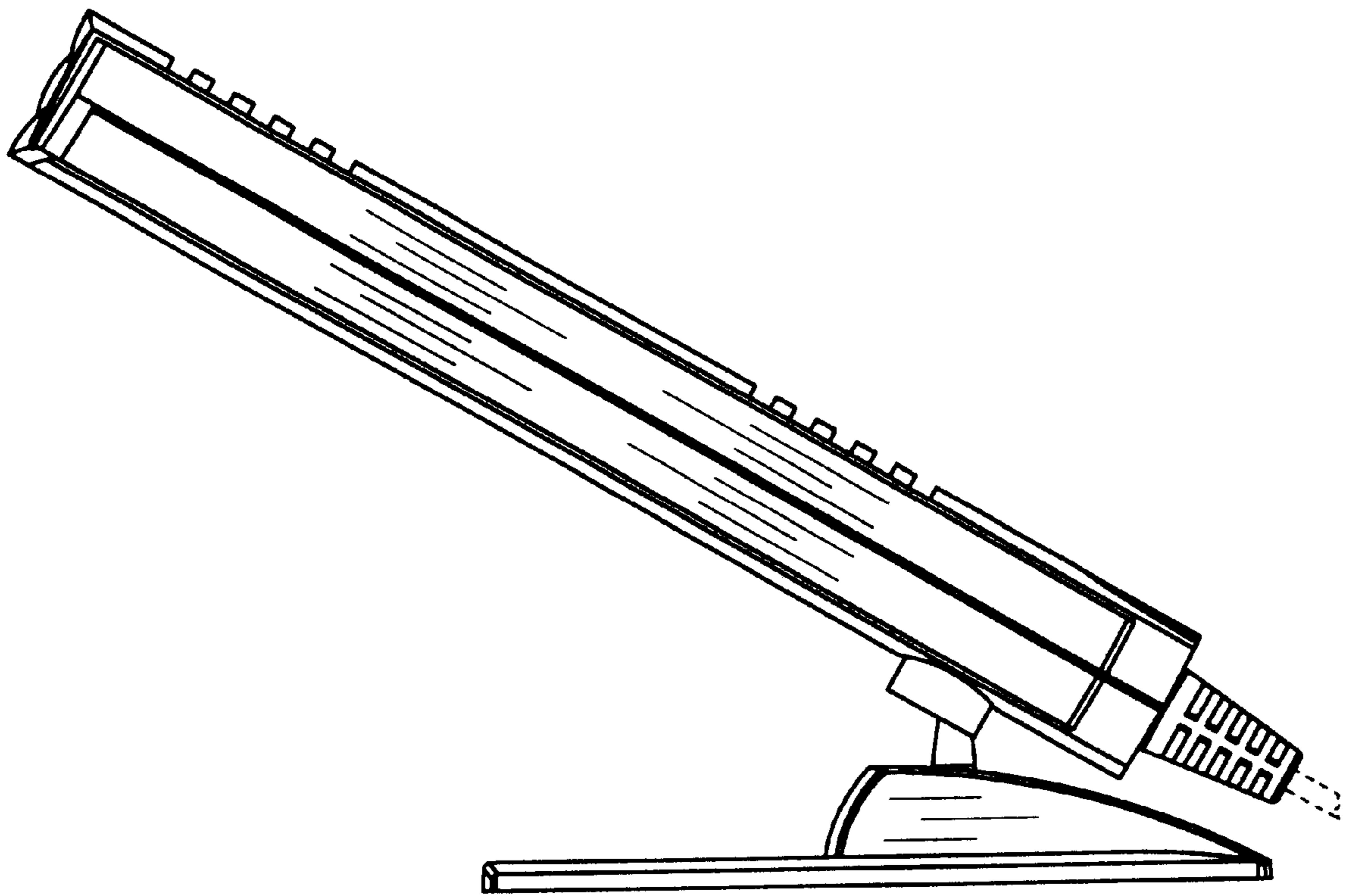
**FIG. 10**



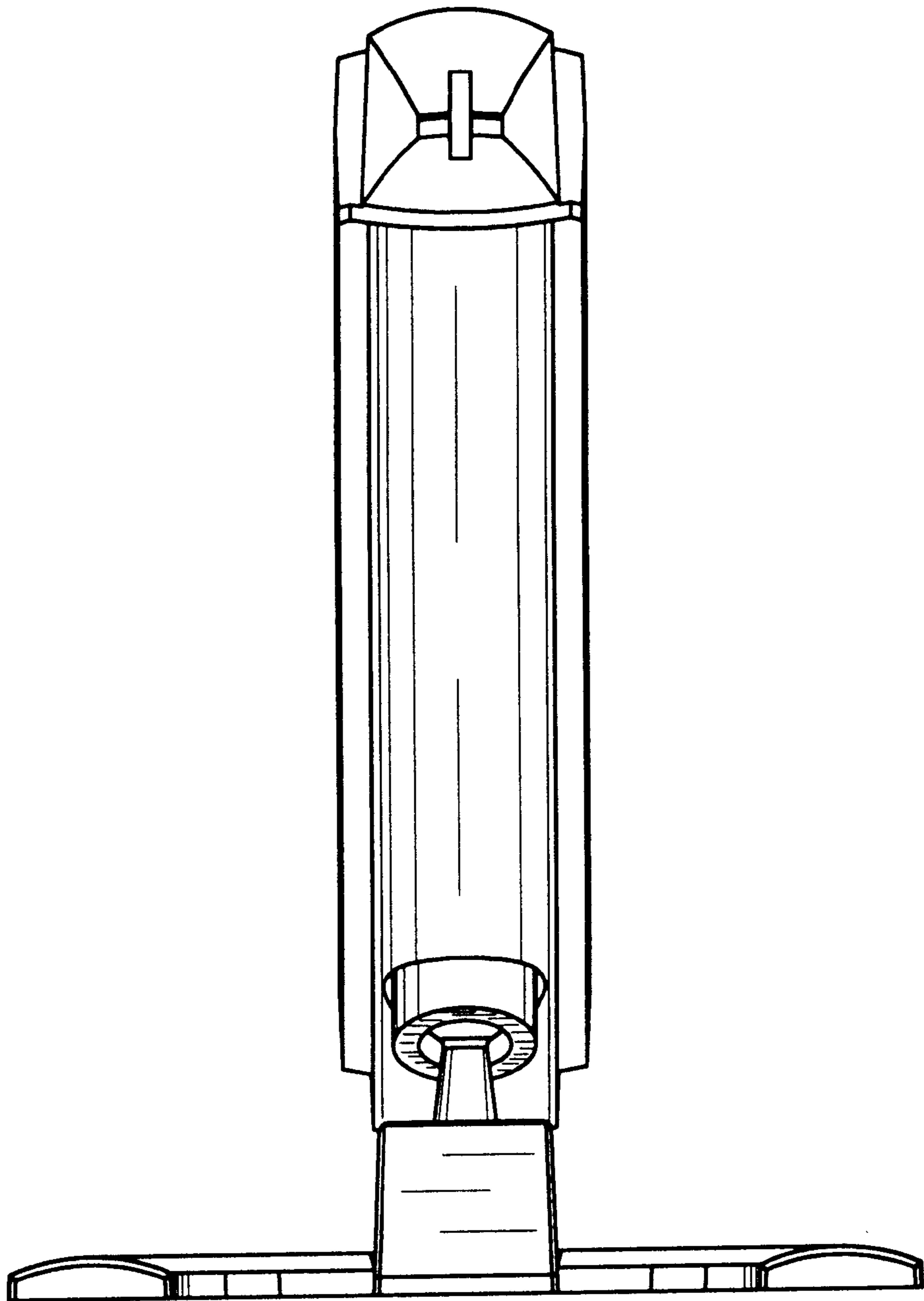
**FIG. 11**



**FIG. 12**



# FIG. 13



# FIG. 14

