



US00D432116S

United States Patent [19]
Ichikawa et al.

[11] **Patent Number: Des. 432,116**
[45] **Date of Patent: ** Oct. 17, 2000**

[54] **SPEAKER BOX**

[75] Inventors: **Kazuo Ichikawa; Shinkichi Tanaka,**
both of Tokyo, Japan

[73] Assignee: **Sony Corporation, Japan**

[**] Term: **14 Years**

[21] Appl. No.: **29/111,983**

[22] Filed: **Oct. 8, 1999**

[30] **Foreign Application Priority Data**

Apr. 9, 1999 [JP] Japan 11-9341

[51] **LOC (7) Cl.** **14-01**

[52] **U.S. Cl.** **D14/211**

[58] **Field of Search** D14/204, 207,
D14/209-216; 181/144-148, 150, 157,
198-199; 381/300-302, 307, 332-336,
359, 361

[56] **References Cited**

U.S. PATENT DOCUMENTS

D. 222,477 10/1971 Wada et al. D14/214
D. 377,176 1/1997 Ito et al. D14/214 X

D. 391,574 3/1998 Chen D14/214 X
D. 404,036 1/1999 Shin et al. D14/214 X
D. 409,616 5/1999 Goto D14/214

OTHER PUBLICATIONS

Catalog; "Accessories 66"; Sony; Mar. 1999; pp. 336 and 337.

Catalog; "91"; Sony; Mar. 1999; pp. 146, 149, 160 and 161.

Primary Examiner—Nanda Bondade
Attorney, Agent, or Firm—Rader, Fishman & Grauer

[57] **CLAIM**

The ornamental design for a speaker box, as shown and described.

DESCRIPTION

FIG. 1 is a perspective view of a speaker box showing our new design;
FIG. 2 is a top plan view thereof;
FIG. 3 is a left side elevational view thereof;
FIG. 4 is a front elevational view thereof;
FIG. 5 is a bottom plan view thereof;
FIG. 6 is a right side elevational view thereof; and,
FIG. 7 is a rear plan view thereof.

1 Claim, 4 Drawing Sheets

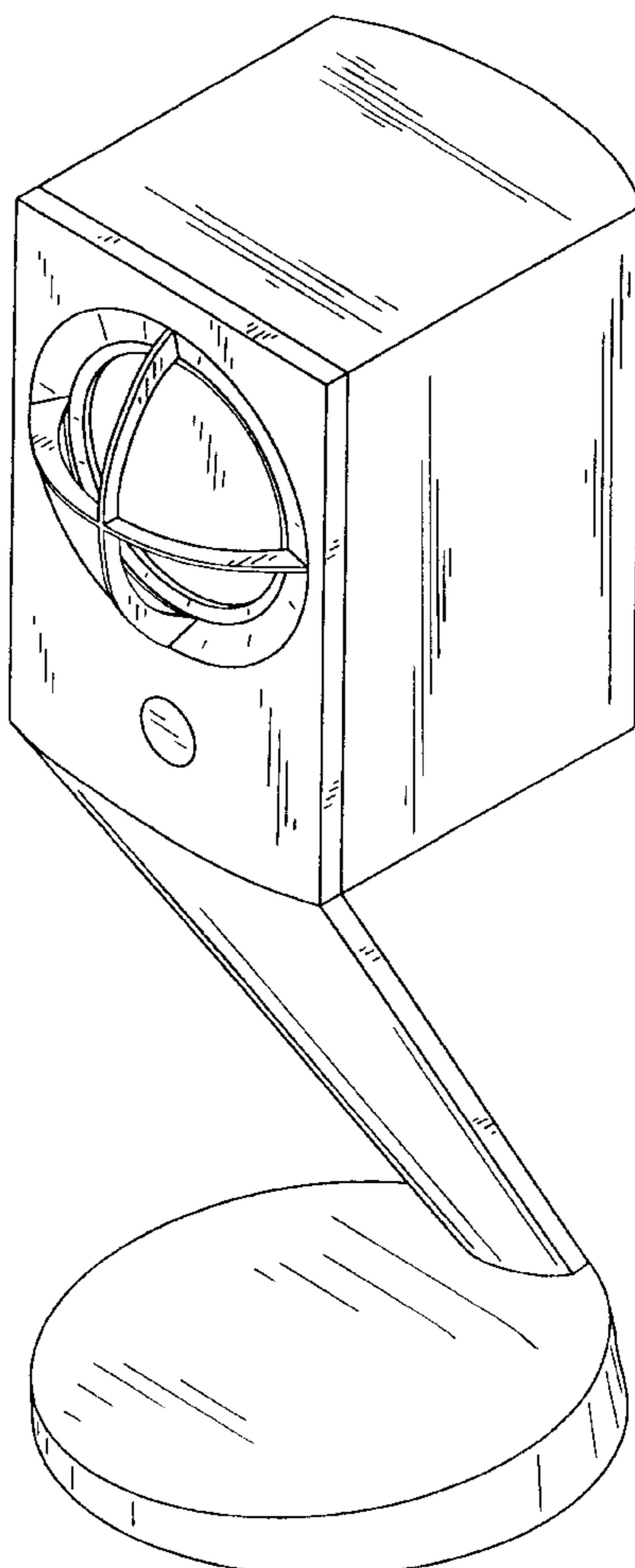


FIG. 1

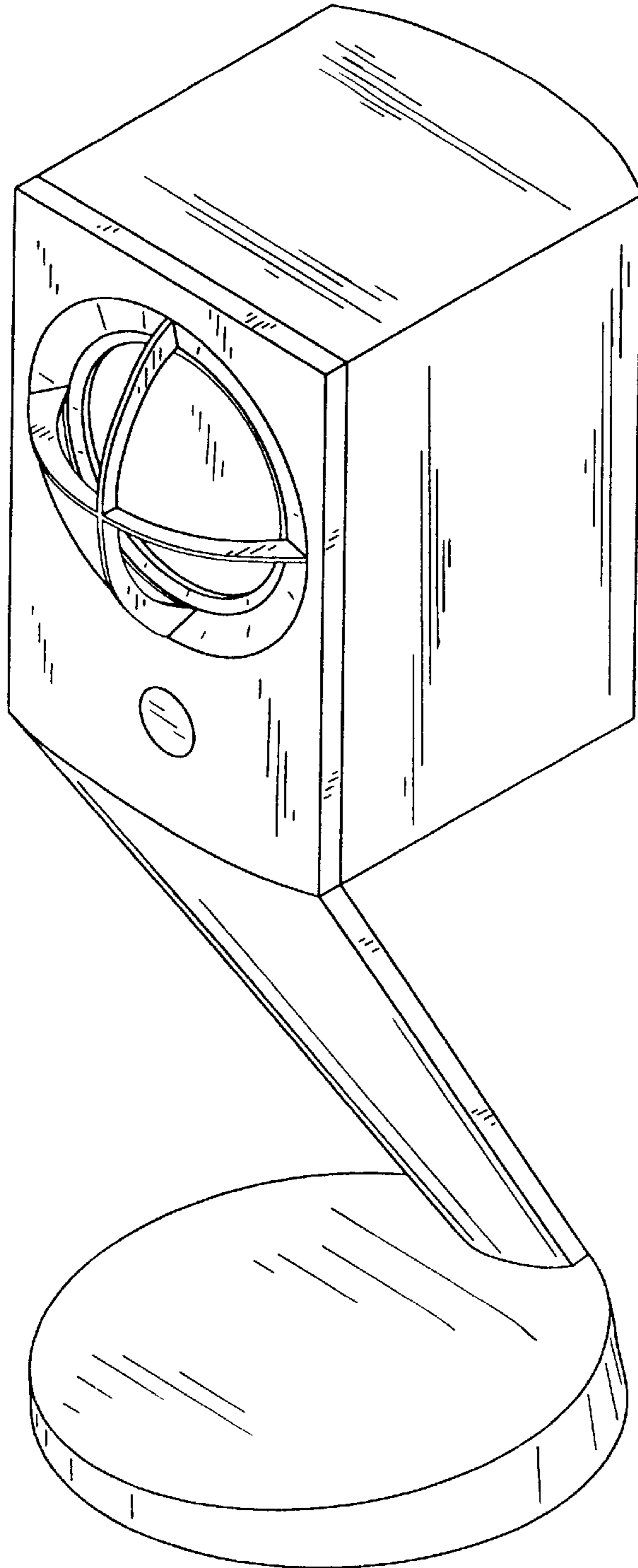


FIG. 2

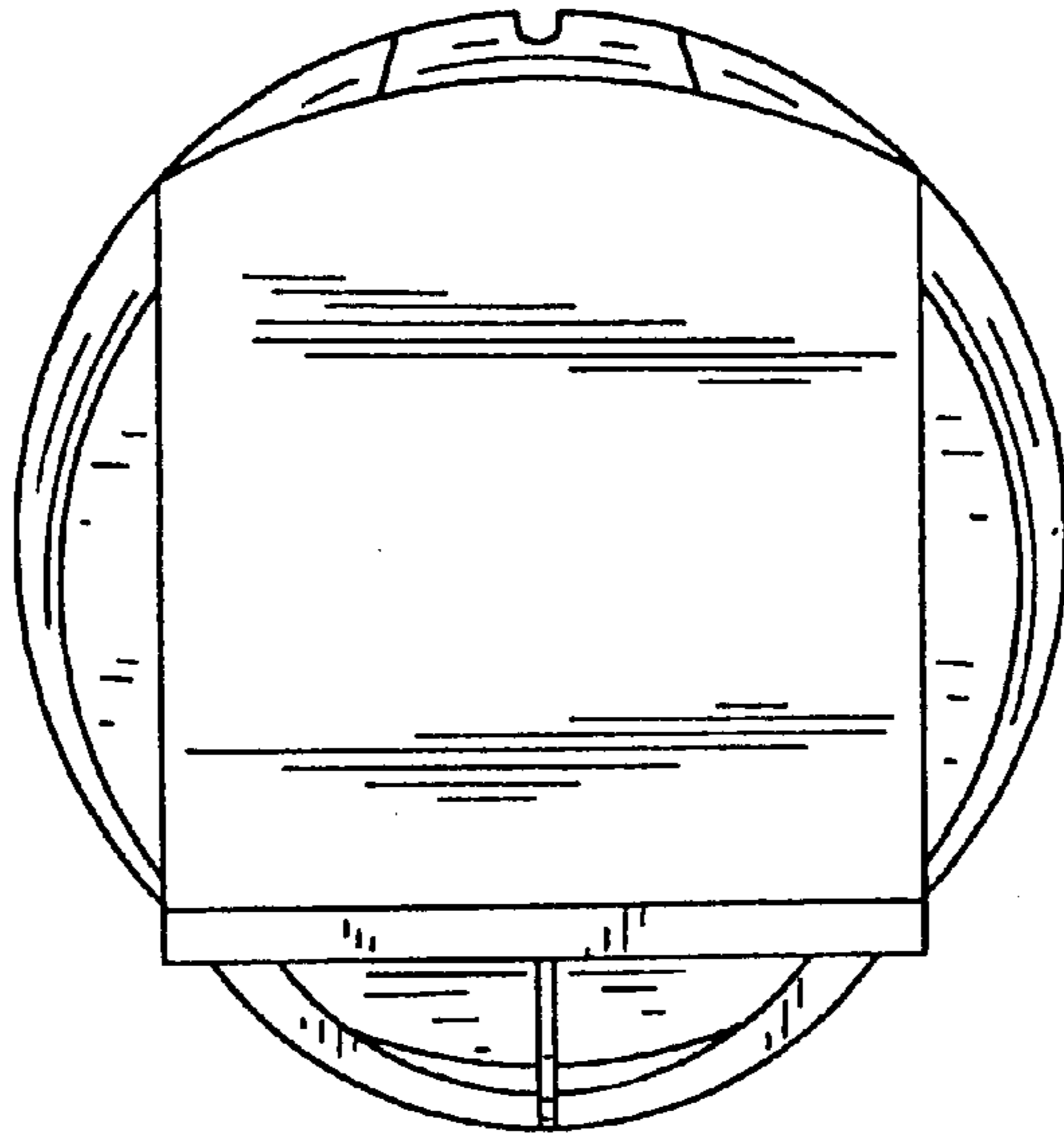


FIG. 5

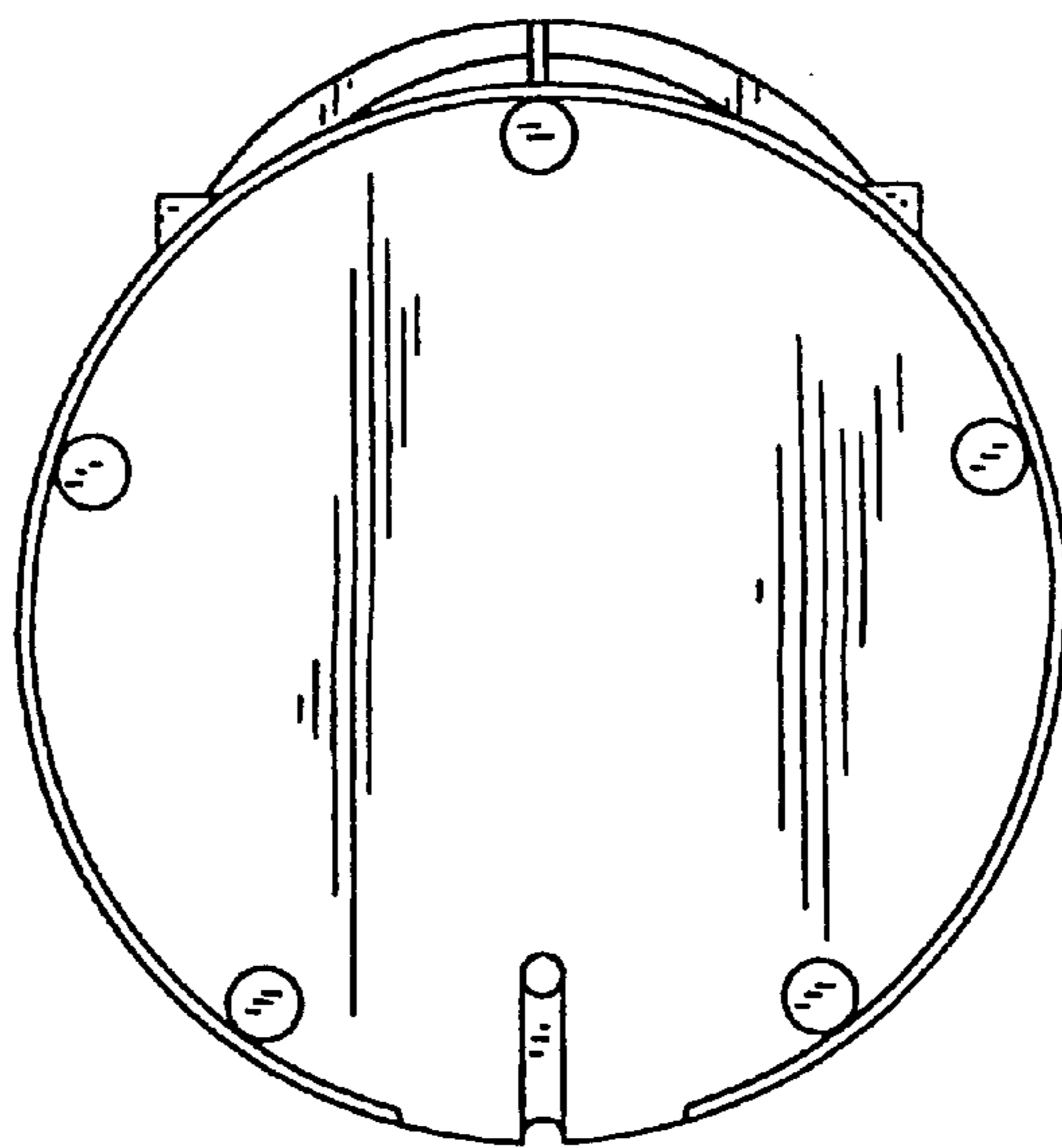


FIG. 4

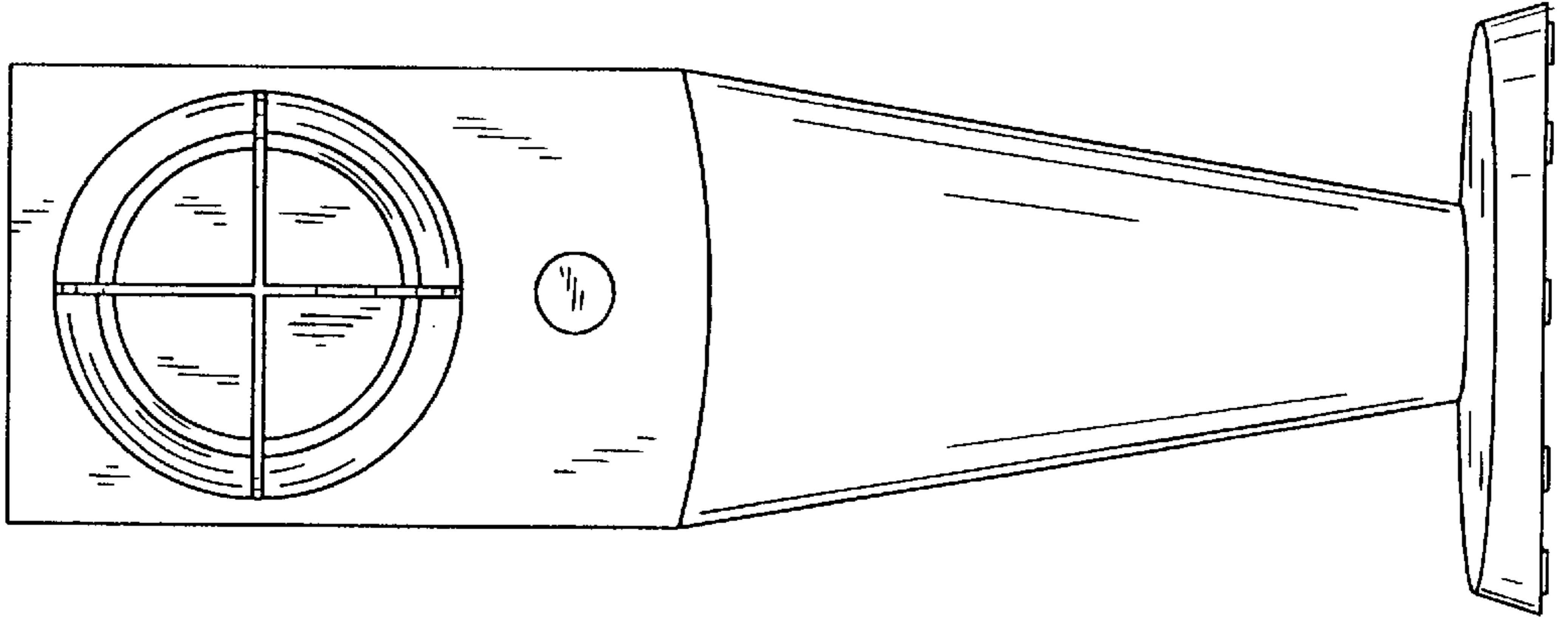


FIG. 3

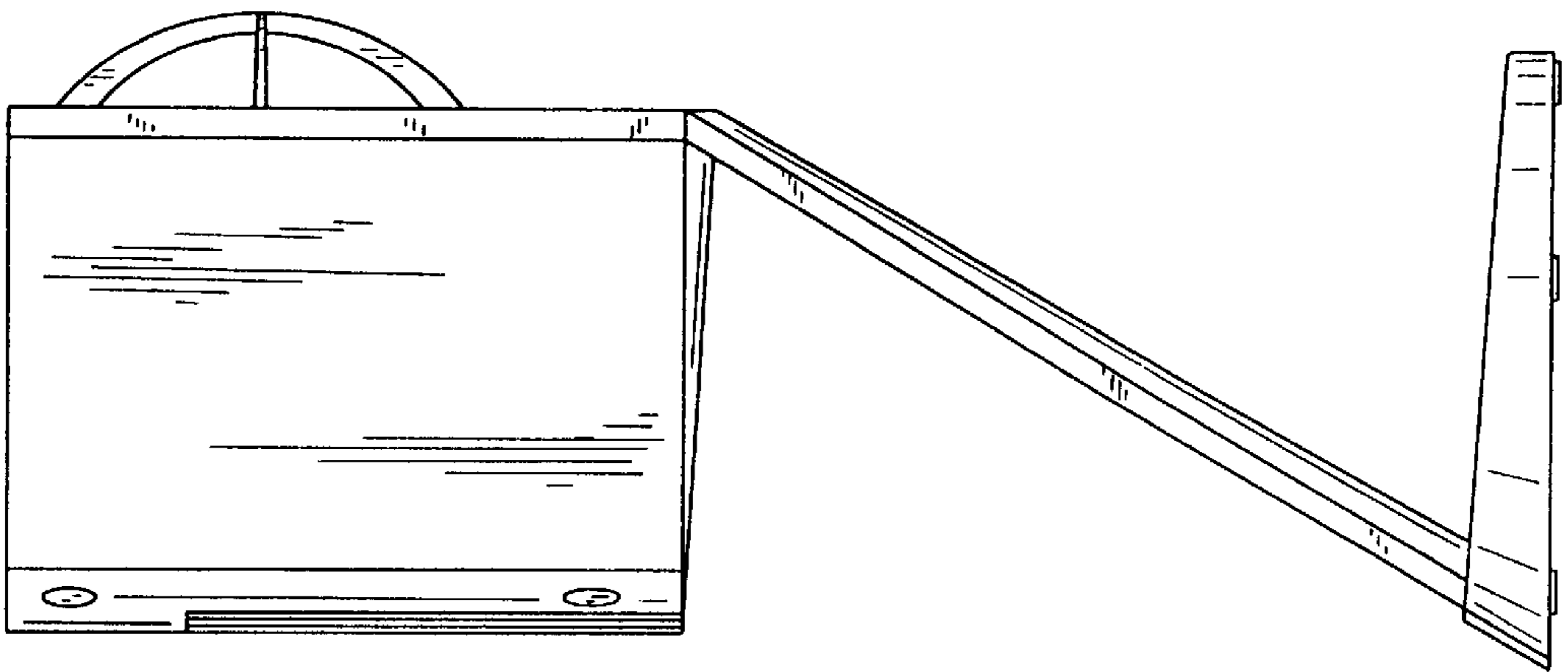


FIG. 7

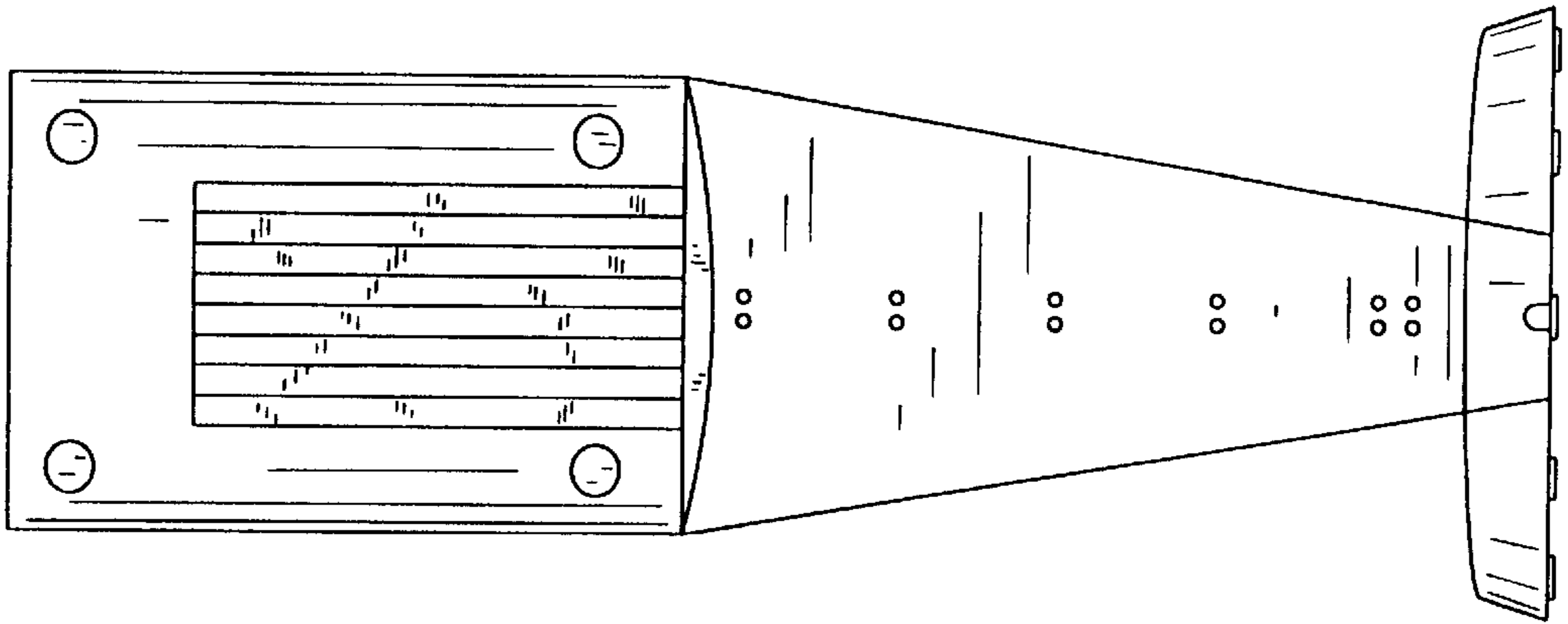


FIG. 6

