



US00D432115S

United States Patent [19]

Juszkiewicz et al.

[11] Patent Number: **Des. 432,115**

[45] Date of Patent: **** Oct. 17, 2000**

[54] **DESKTOP SPEAKER SYSTEM**

[75] Inventors: **Henry E. Juszkiewicz**, Nashville, Tenn.; **Andy J. Ewen**, Chelmsford; **Anthony R. Mycroft**, Althorne, both of United Kingdom

[73] Assignee: **Gibson Guitar Corp.**, Nashville, Tenn.

[**] Term: **14 Years**

[21] Appl. No.: **29/109,968**

[22] Filed: **Aug. 26, 1999**

[51] **LOC (7) Cl.** **14-01**

[52] **U.S. Cl.** **D14/204; D14/214**

[58] **Field of Search** D14/204, 210-216; 181/144-148, 153, 157, 198, 199; 381/300-302, 307, 359, 361, 363, 386

[56] **References Cited**

U.S. PATENT DOCUMENTS

D. 250,711 1/1979 Persson et al. D14/214

D. 369,356 4/1996 Olson D14/214
D. 371,365 7/1996 Kawada D14/214
D. 372,918 8/1996 Manganese et al. D14/204 X
D. 407,405 3/1999 Chiu D14/214

Primary Examiner—Nanda Bondade
Attorney, Agent, or Firm—Lucian Wayne Beavers; Waddey & Patterson

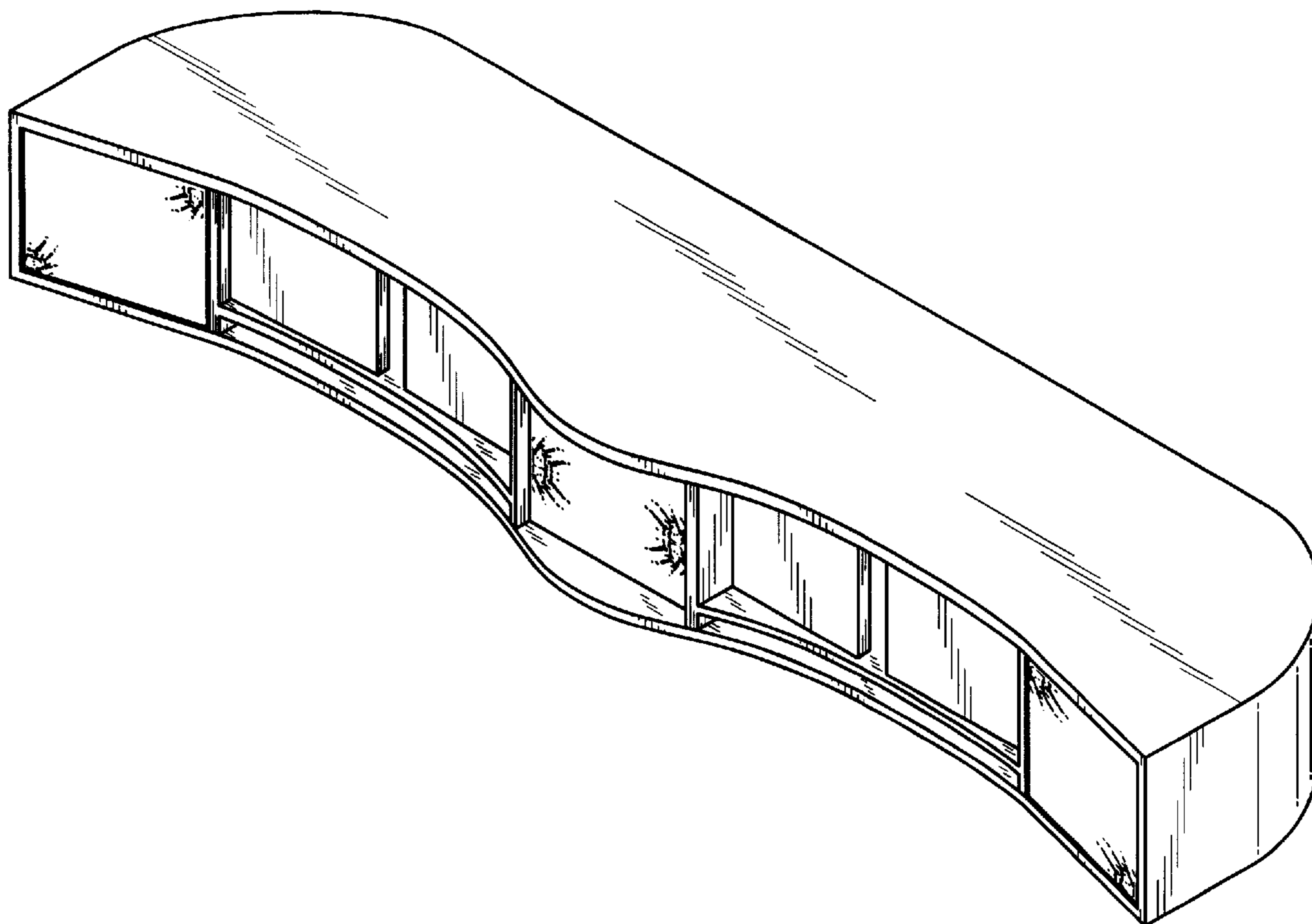
[57] **CLAIM**

The ornamental design for a desktop speaker system, as shown and described.

DESCRIPTION

FIG. 1 is a perspective view of a desktop speaker system showing our new design; FIG. 2 is top plan view thereof; FIG. 3 is a front elevational view thereof; FIG. 4 is a side elevational view thereof, the opposite side being a mirror image; FIG. 5 is a rear elevational view thereof; and, FIG. 6 is a bottom plan view thereof.

1 Claim, 2 Drawing Sheets



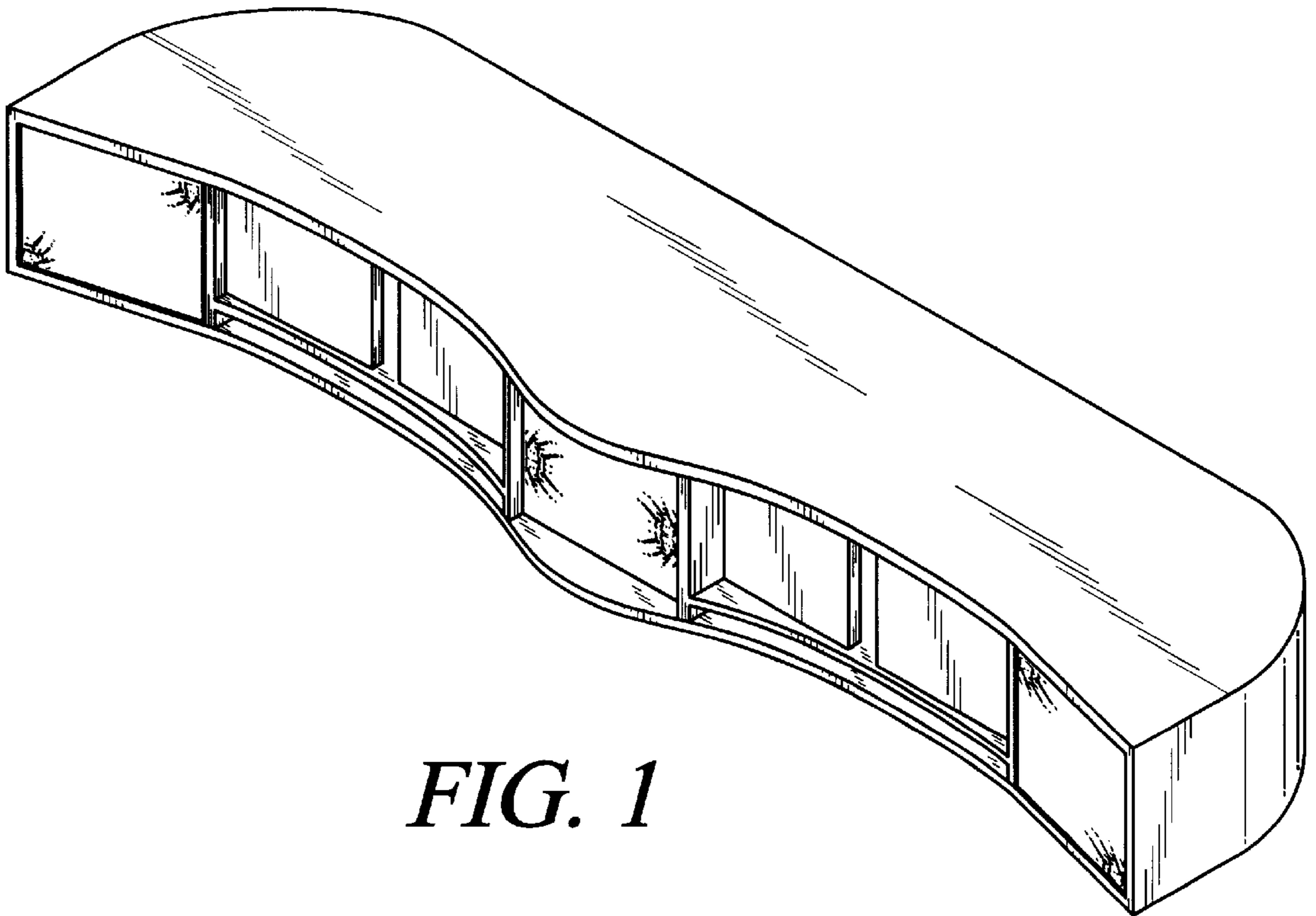


FIG. 1

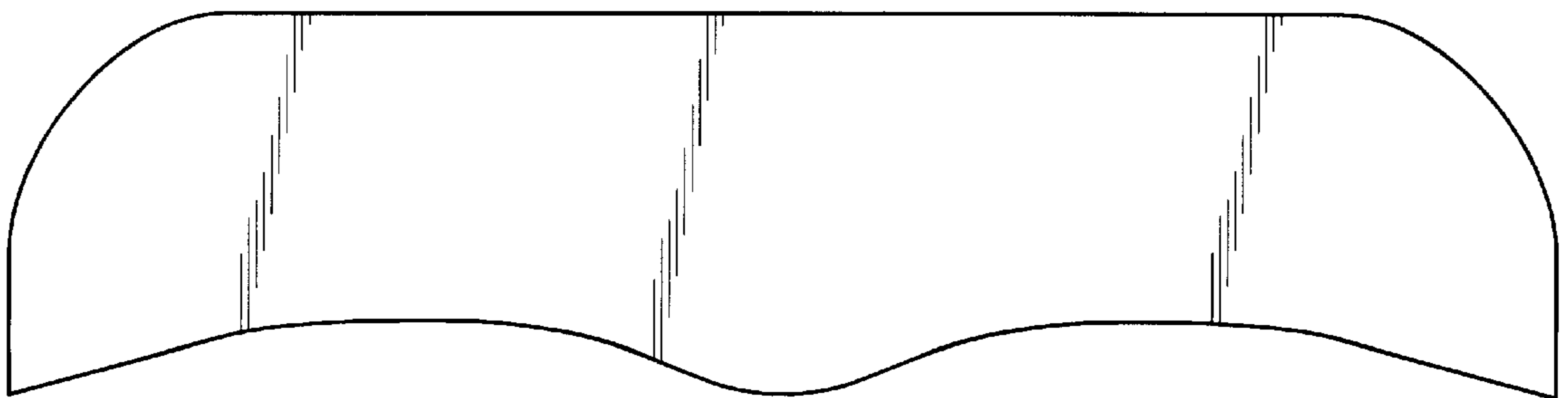


FIG. 2

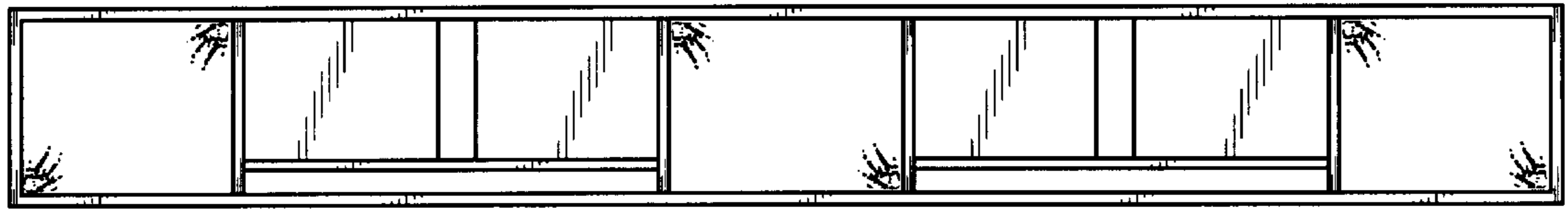


FIG. 3

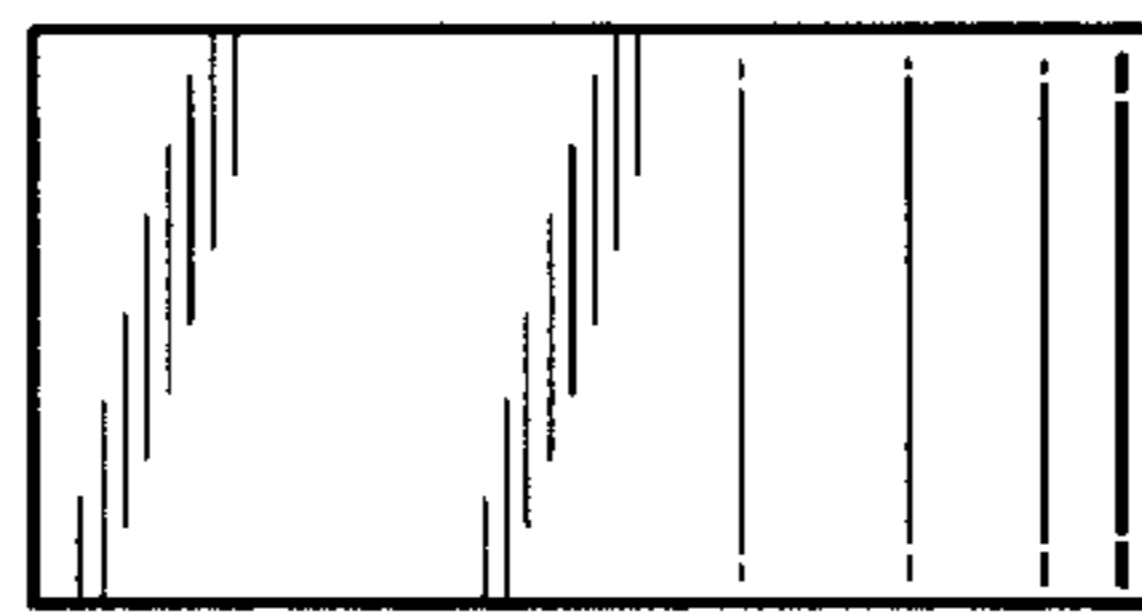


FIG. 4

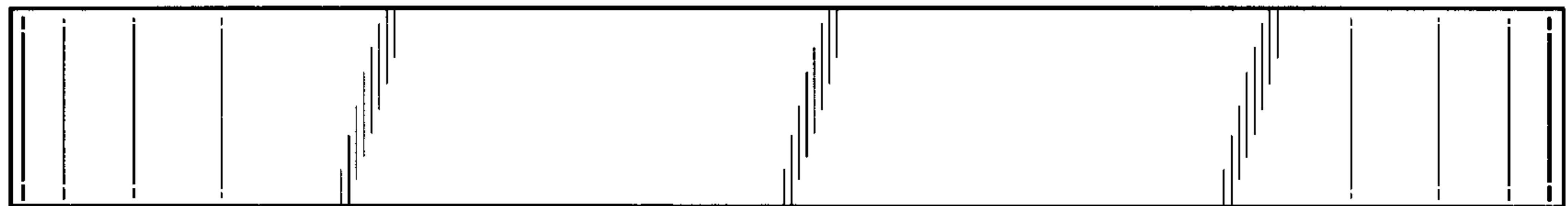


FIG. 5

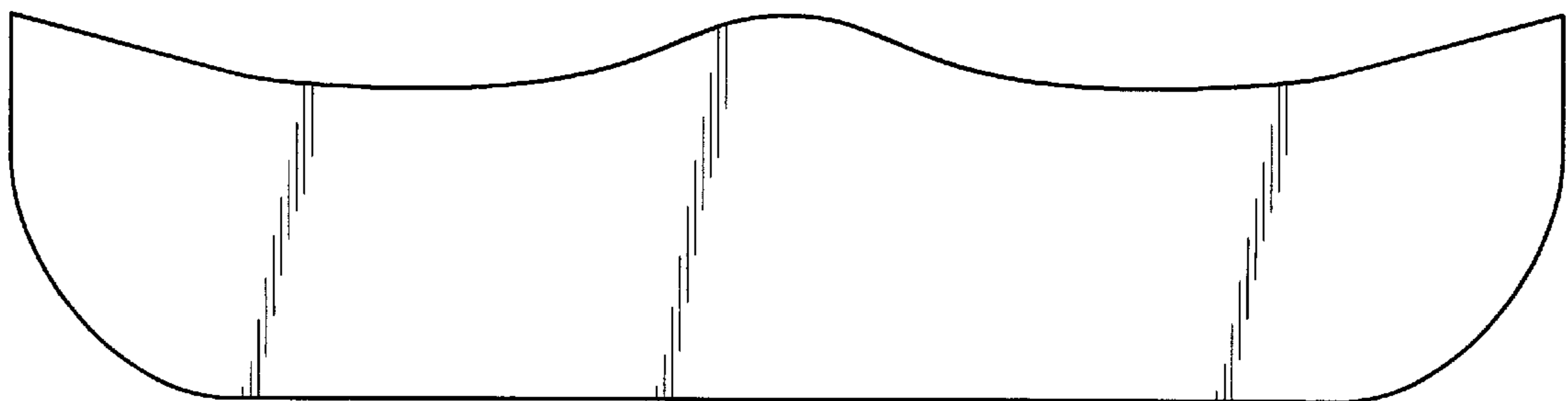


FIG. 6