



US00D432114S

United States Patent [19] Brown

[11] **Patent Number: Des. 432,114**

[45] **Date of Patent: ** Oct. 17, 2000**

[54] **HI-FI EQUIPMENT**

D. 379,354 5/1997 Hippen D14/188
D. 403,320 12/1998 Nitsu D14/188 X

[75] Inventor: **Alastair Brown**, Glasgow, United Kingdom

Primary Examiner—Nanda Bondade
Attorney, Agent, or Firm—Ratner & Prestia

[73] Assignee: **Linn Products Limited**, Glasgow, United Kingdom

[57] **CLAIM**

[**] Term: **14 Years**

The ornamental design for a hi-fi equipment, as shown and described.

[21] Appl. No.: **29/107,427**

DESCRIPTION

[22] Filed: **Jul. 6, 1999**

[51] **LOC (7) Cl.** **14-03**

FIG. 1 is a top plan view of a hi-fi equipment in accordance with the present invention;

[52] **U.S. Cl.** **D14/188**

FIG. 2 is an enlarged front view of the embodiment shown in FIG. 1;

[58] **Field of Search** D14/156-157,
D14/160, 167-168, 188, 189, 193-198,
265; 312/7.1; 455/344, 347, 350, 351

FIG. 3 is a top perspective view of the embodiment shown in FIG. 1; and,

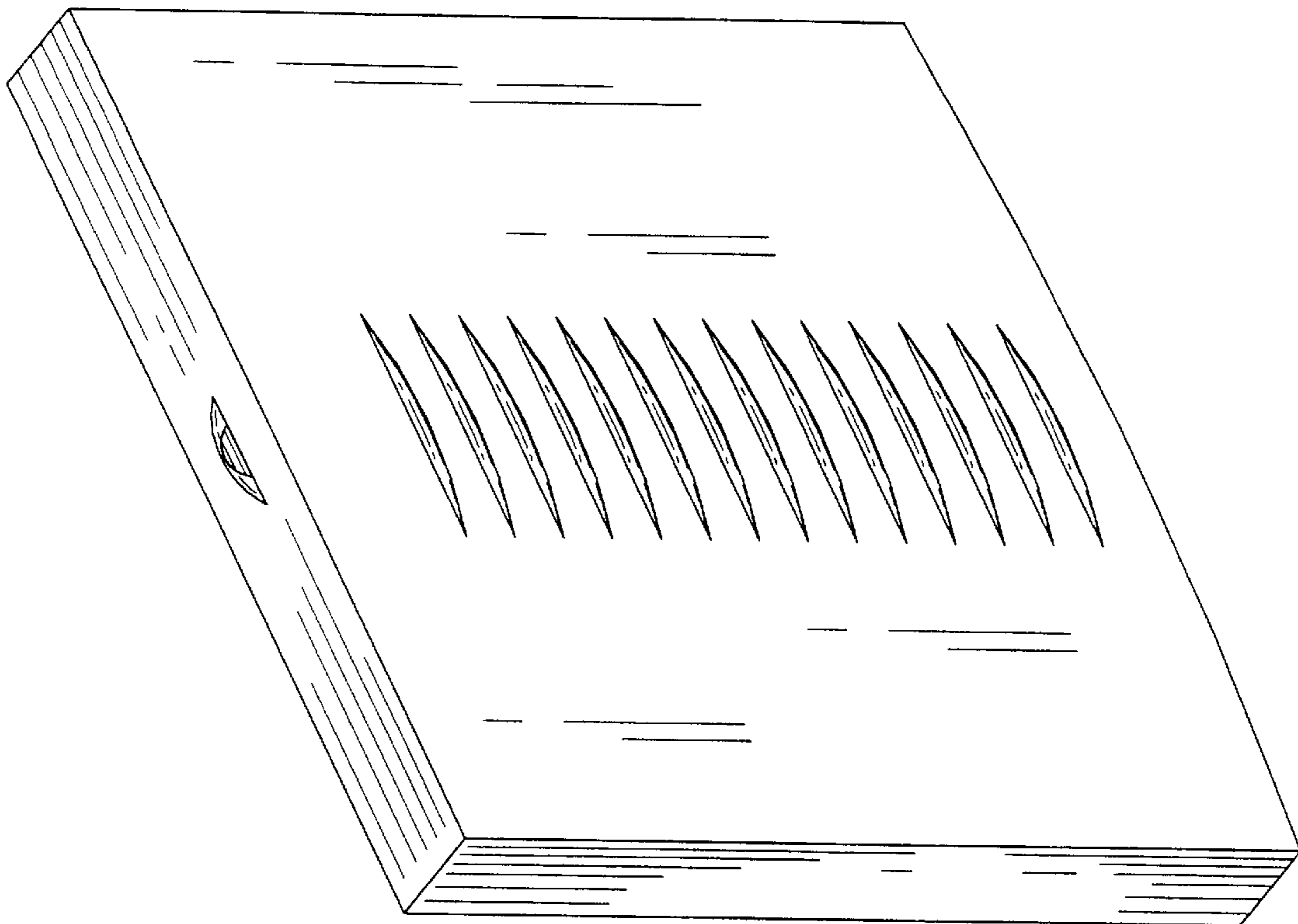
FIG. 4 is a bottom perspective view of the embodiment shown in FIG. 1.

[56] **References Cited**

U.S. PATENT DOCUMENTS

D. 328,895 8/1992 Grimes D14/156

1 Claim, 4 Drawing Sheets



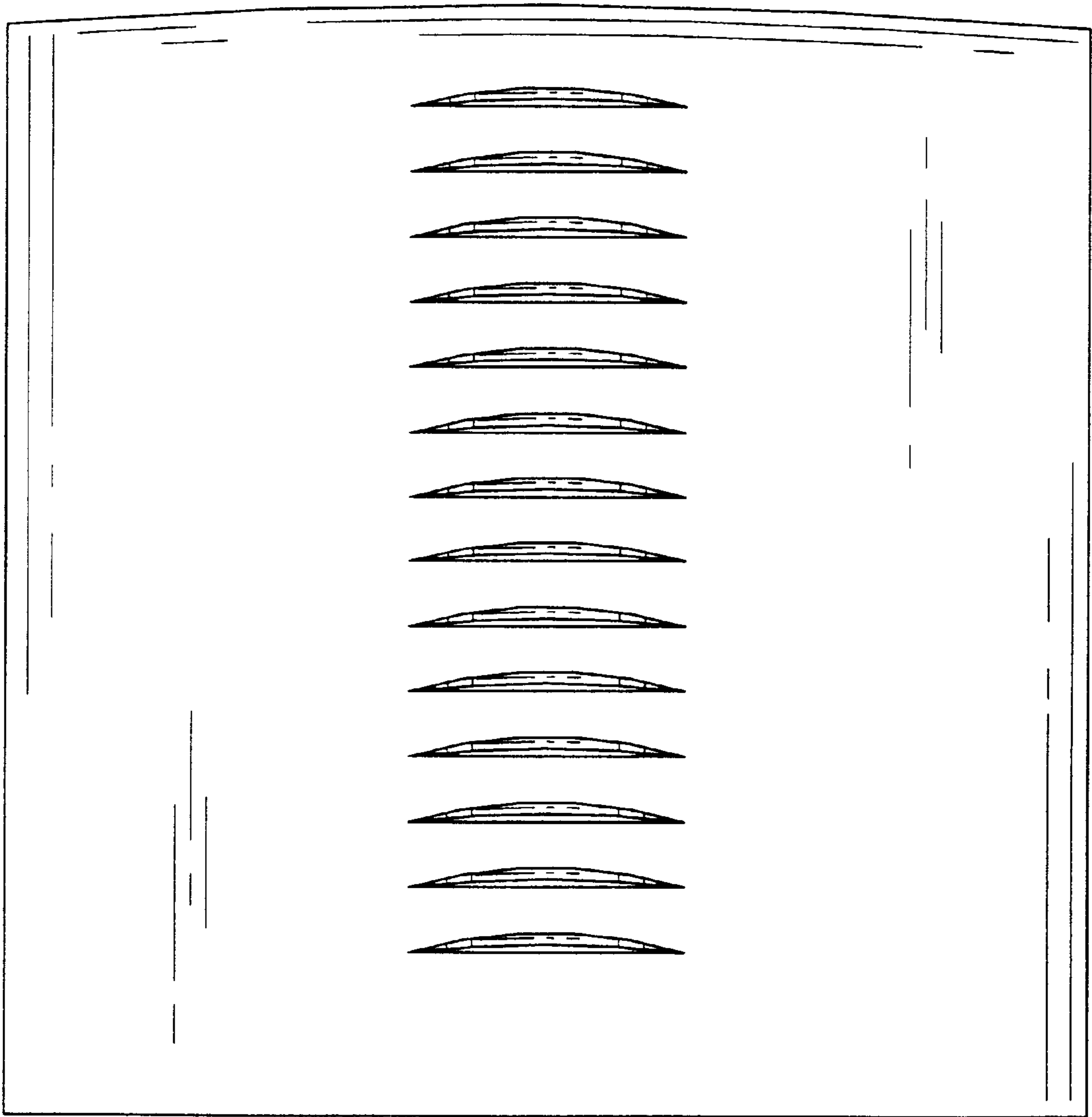


FIG. 1

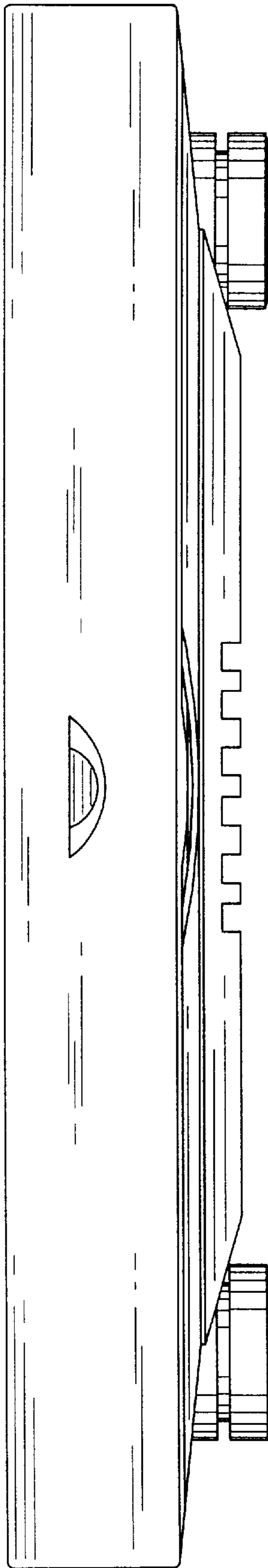


FIG. 2

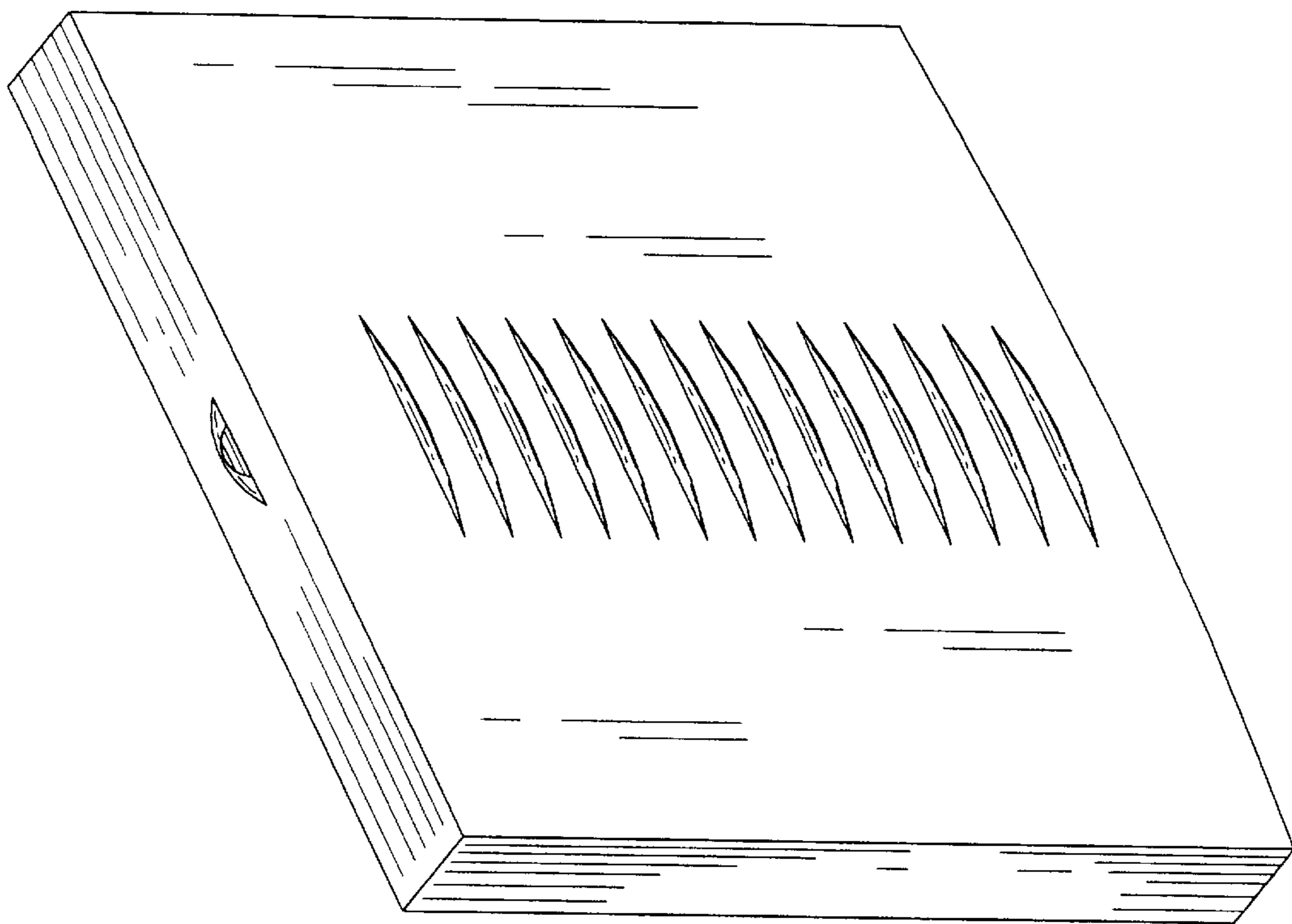


FIG. 3

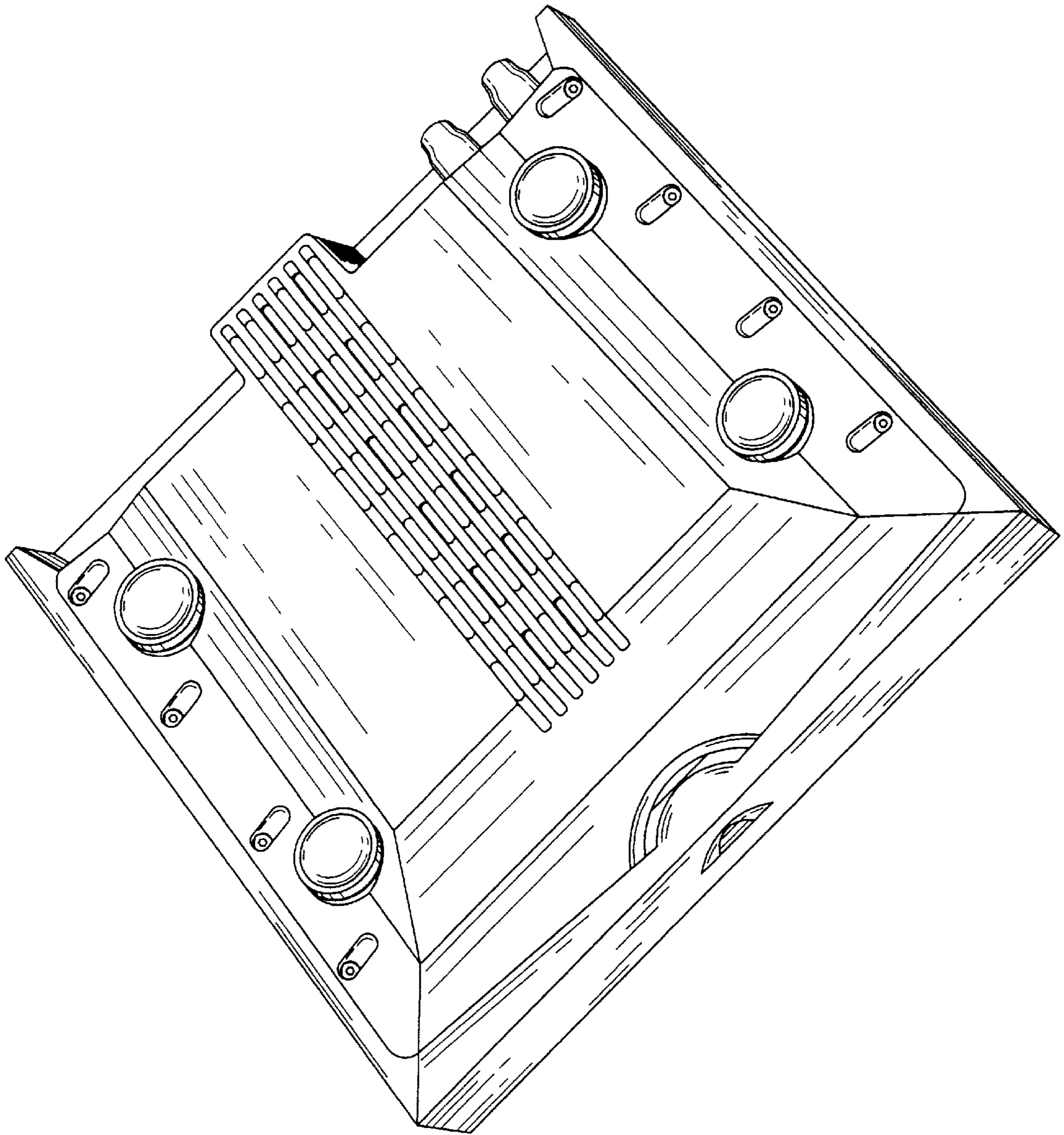


FIG. 4