



US00D432112S

United States Patent [19]
Hisatsune

[11] **Patent Number: Des. 432,112**

[45] **Date of Patent: ** Oct. 17, 2000**

[54] **OPTICAL DISC PLAYER**

4,674,080 6/1987 Higuchi et al. 369/77.2
5,172,390 12/1992 Decoster 369/75.2

[75] Inventor: **Toshiyuki Hisatsune**, Tokyo, Japan

OTHER PUBLICATIONS

[73] Assignee: **Sony Corporation**, Japan

Catalog; "92"; Sony; Jul. 1999; p. 4.

[**] Term: **14 Years**

Primary Examiner—Nanda Bondade
Attorney, Agent, or Firm—Rader, Fishman&Grauer

[21] Appl. No.: **29/112,912**

[57] **CLAIM**

[22] Filed: **Oct. 26, 1999**

The ornamental design for an optical disc player, as shown and described.

[51] **LOC (7) Cl.** **14-01**

[52] **U.S. Cl.** **D14/156**

[58] **Field of Search** D14/135, 136,
D14/156, 157, 160, 167, 197-198, 257,
258; 369/75.1, 75.2, 77.1, 77.2

DESCRIPTION

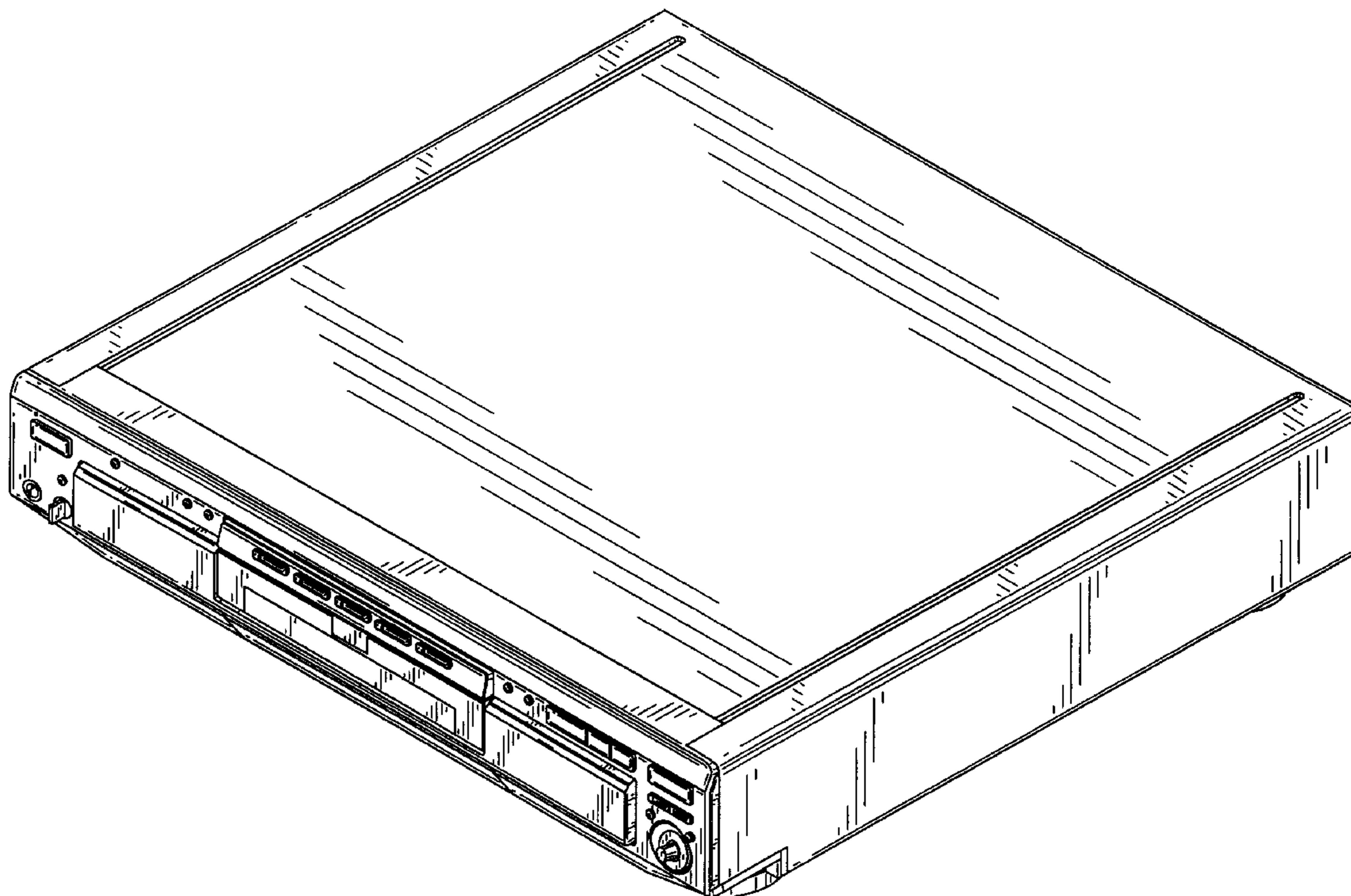
[56] **References Cited**

FIG. 1 is a perspective view of an optical disc player, showing my new design;
FIG. 2 is a top plan view thereof;
FIG. 3 is a bottom plan view thereof;
FIG. 4 is a left side elevational view thereof;
FIG. 5 is a right side elevational view thereof;
FIG. 6 is a front elevational view thereof; and,
FIG. 7 is a rear elevational view thereof.

U.S. PATENT DOCUMENTS

D. 321,189	10/1991	Ito et al.	D14/156
D. 394,260	5/1998	Ito et al.	D14/156
D. 409,605	5/1999	Miyazaki	D14/156
D. 410,923	6/1999	Ito et al.	D14/156

1 Claim, 5 Drawing Sheets



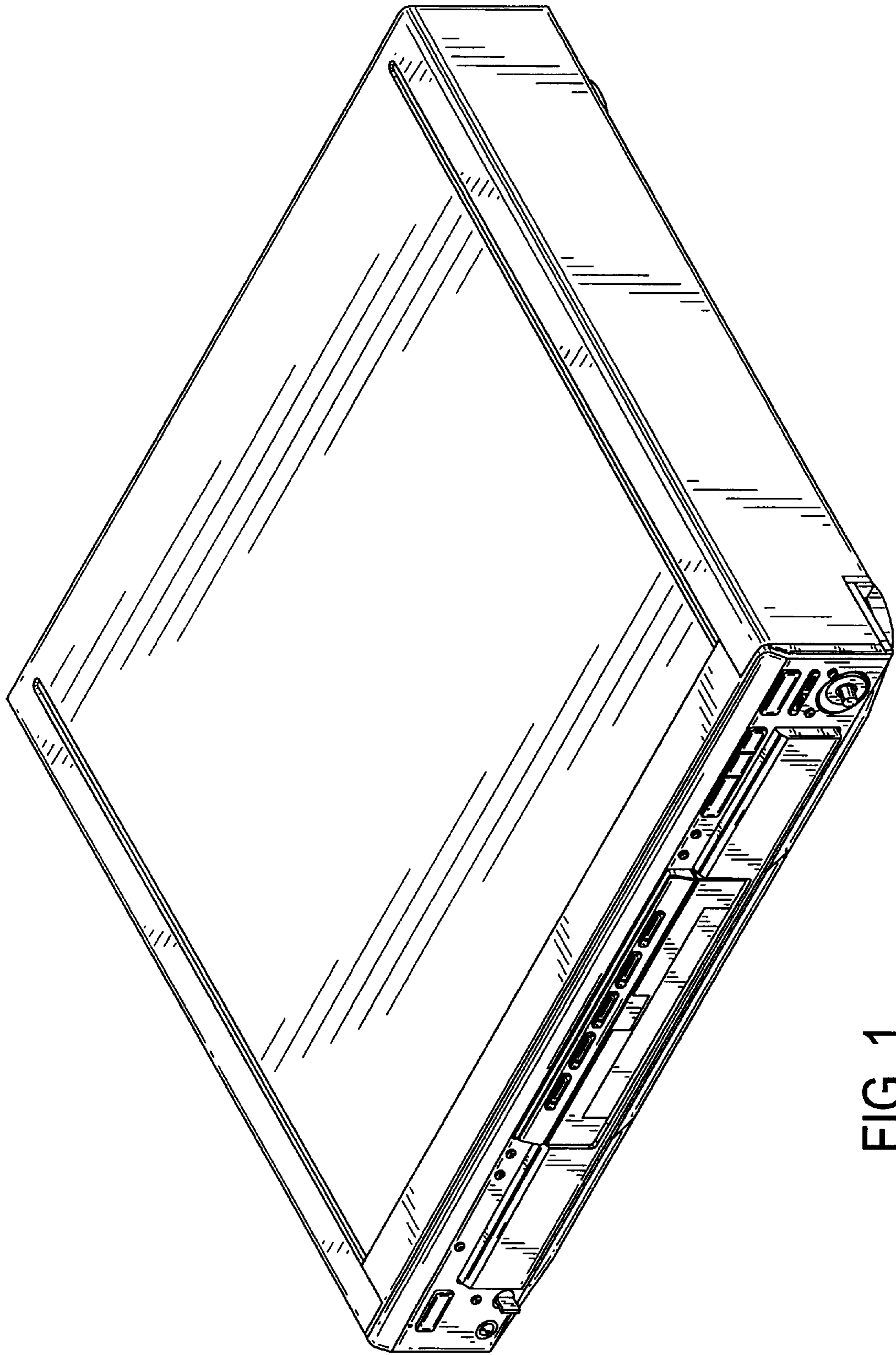


FIG. 1

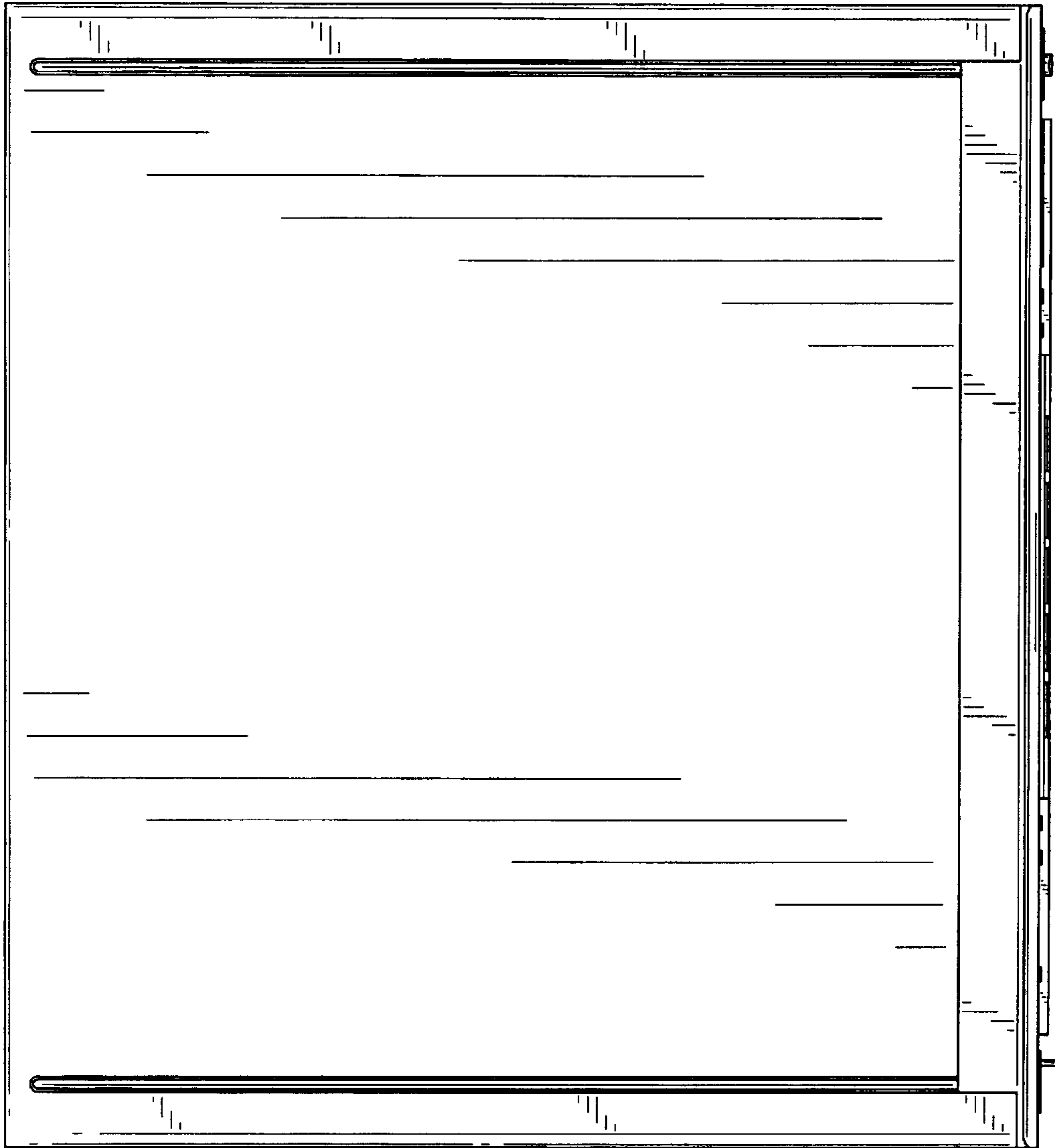


FIG. 2

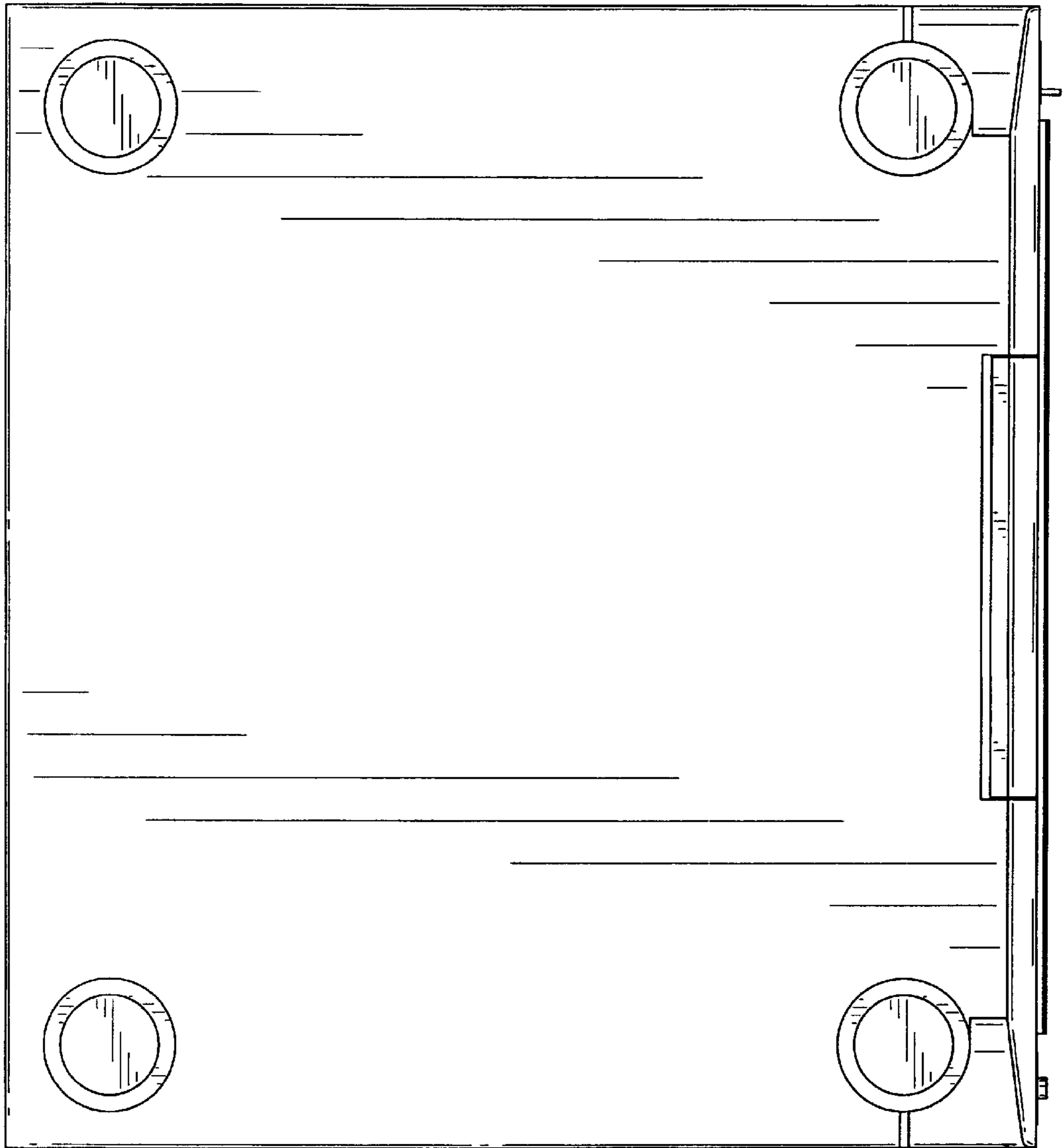


FIG. 3

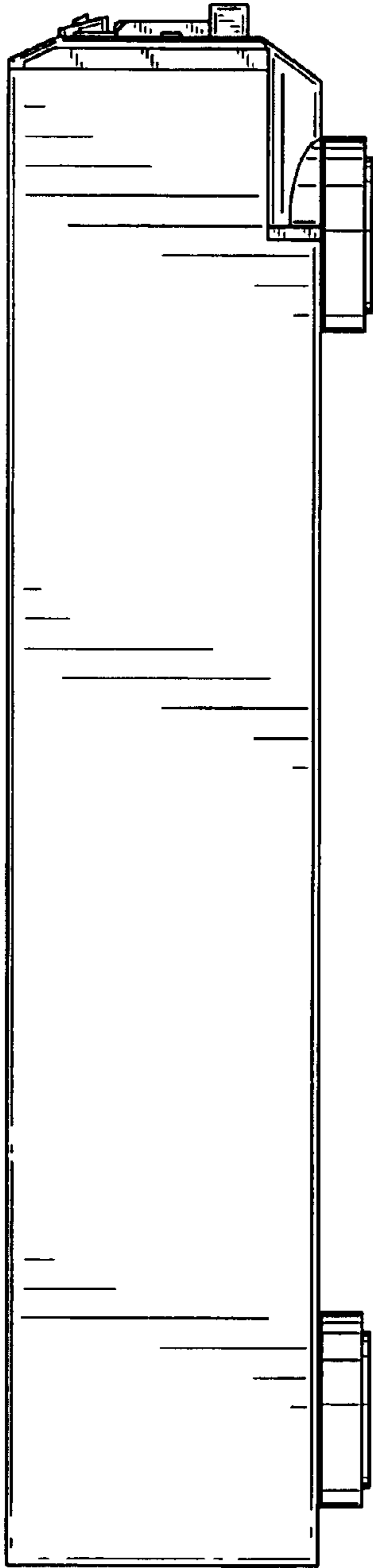


FIG. 4

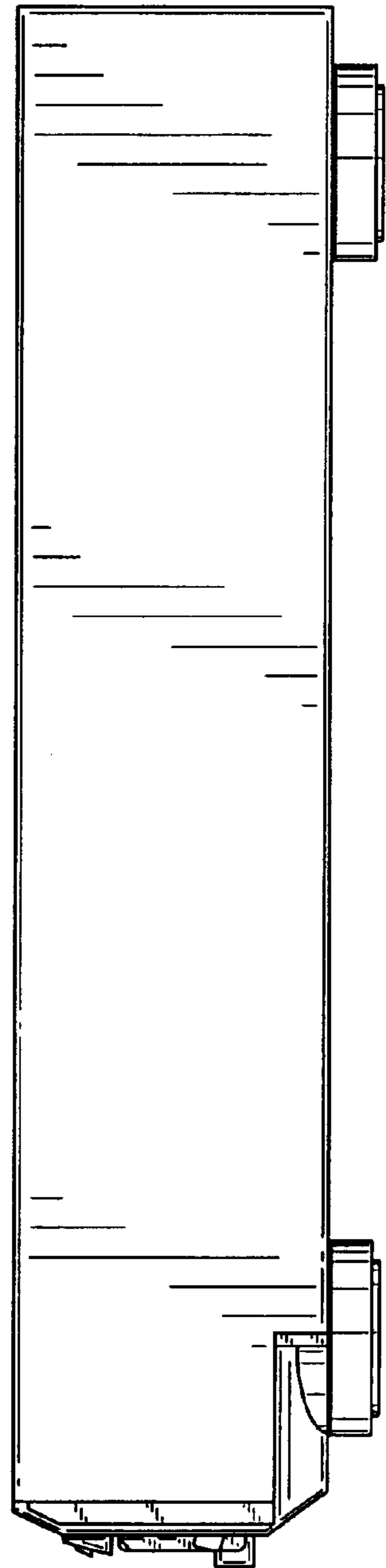


FIG. 5



FIG. 6

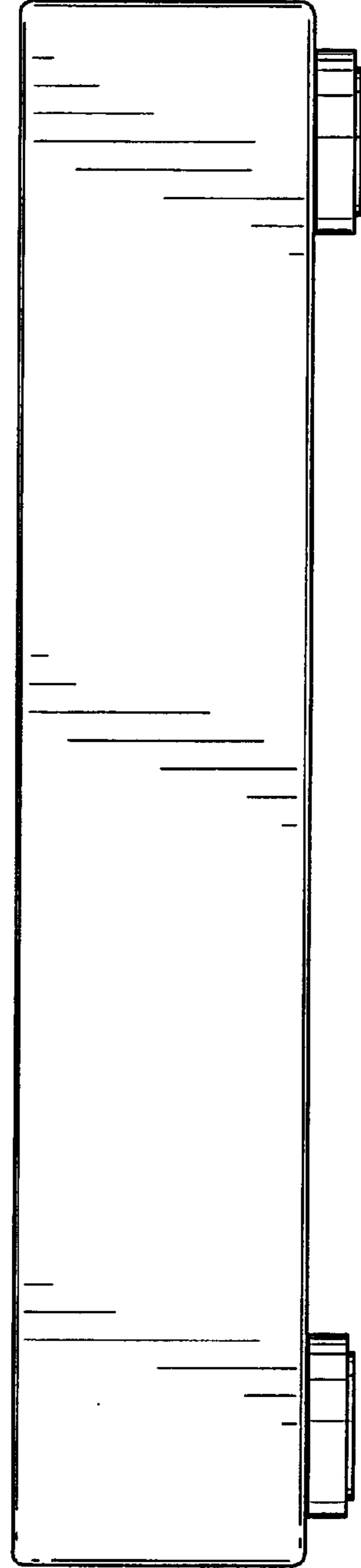


FIG. 7