

US00D432103S

United States Patent [19] Mitsubishi et al.

[11] **Patent Number: Des. 432,103**
[45] **Date of Patent: ** Oct. 17, 2000**

[54] **FLAT PANEL DISPLAY FOR TV**
[75] Inventors: **Renichi Mitsuhashi; Yoshiro Yamakawa; Toshinobu Sakuma; Takashi Shigeno**, all of Tokyo, Japan
[73] Assignee: **NEC Corporation**, Tokyo, Japan
[**] Term: **14 Years**

D. 393,462 4/1998 Morimiya D14/126
D. 395,454 6/1998 Hayashi D14/374 X
D. 403,309 12/1998 Takemasa et al. D14/374
D. 417,659 12/1999 Takemasa D14/374

Primary Examiner—Richelle Shelton
Attorney, Agent, or Firm—Sughrue, Mion, Zinn, Macpeak & Seas, PLLC

[21] Appl. No.: **29/117,004**
[22] Filed: **Jan. 18, 2000**

[57] **CLAIM**
The ornamental design for a flat panel display for TV, as shown.

[30] **Foreign Application Priority Data**
Jul. 26, 1999 [JP] Japan 11-19911
[51] **LOC (7) Cl.** **14-03**
[52] **U.S. Cl.** **D14/126**
[58] **Field of Search** D14/374, 375,
D14/126-134; 312/7.2; 348/836, 837, 838

DESCRIPTION

FIG. 1 is a perspective view of the top, front and right side of a flat panel display for TV showing our new design; FIG. 2 is a reduced front elevational view of the flat panel display for TV; FIG. 3 is a rear elevational view thereof; FIG. 4 is a right side elevational view thereof; FIG. 5 is a left side elevational view thereof; FIG. 6 is a top plan view thereof; and, FIG. 7 is a bottom plan view thereof.

[56] **References Cited**
U.S. PATENT DOCUMENTS
D. 382,259 8/1997 Nagai et al. D14/374

1 Claim, 3 Drawing Sheets

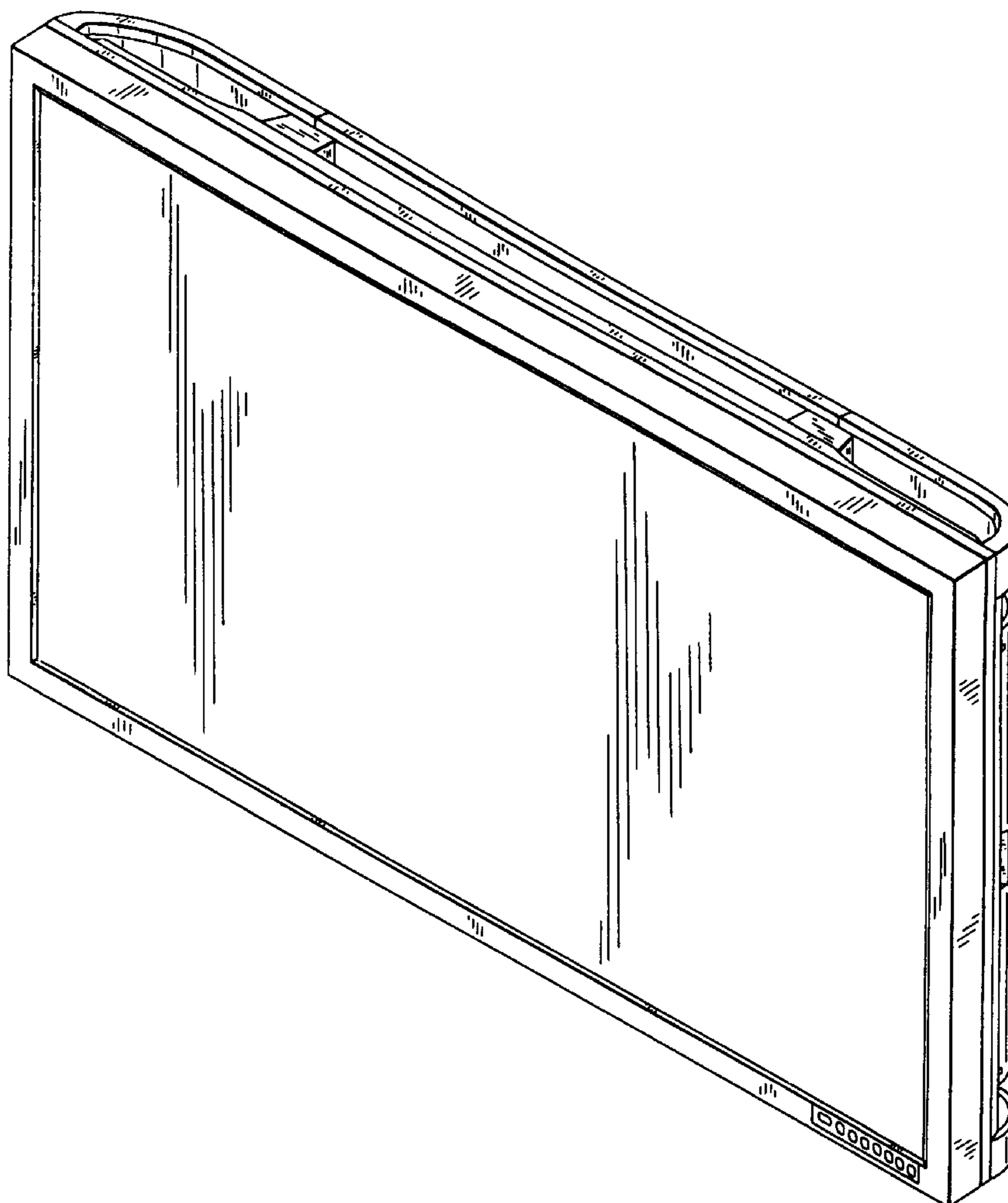


FIG. 1

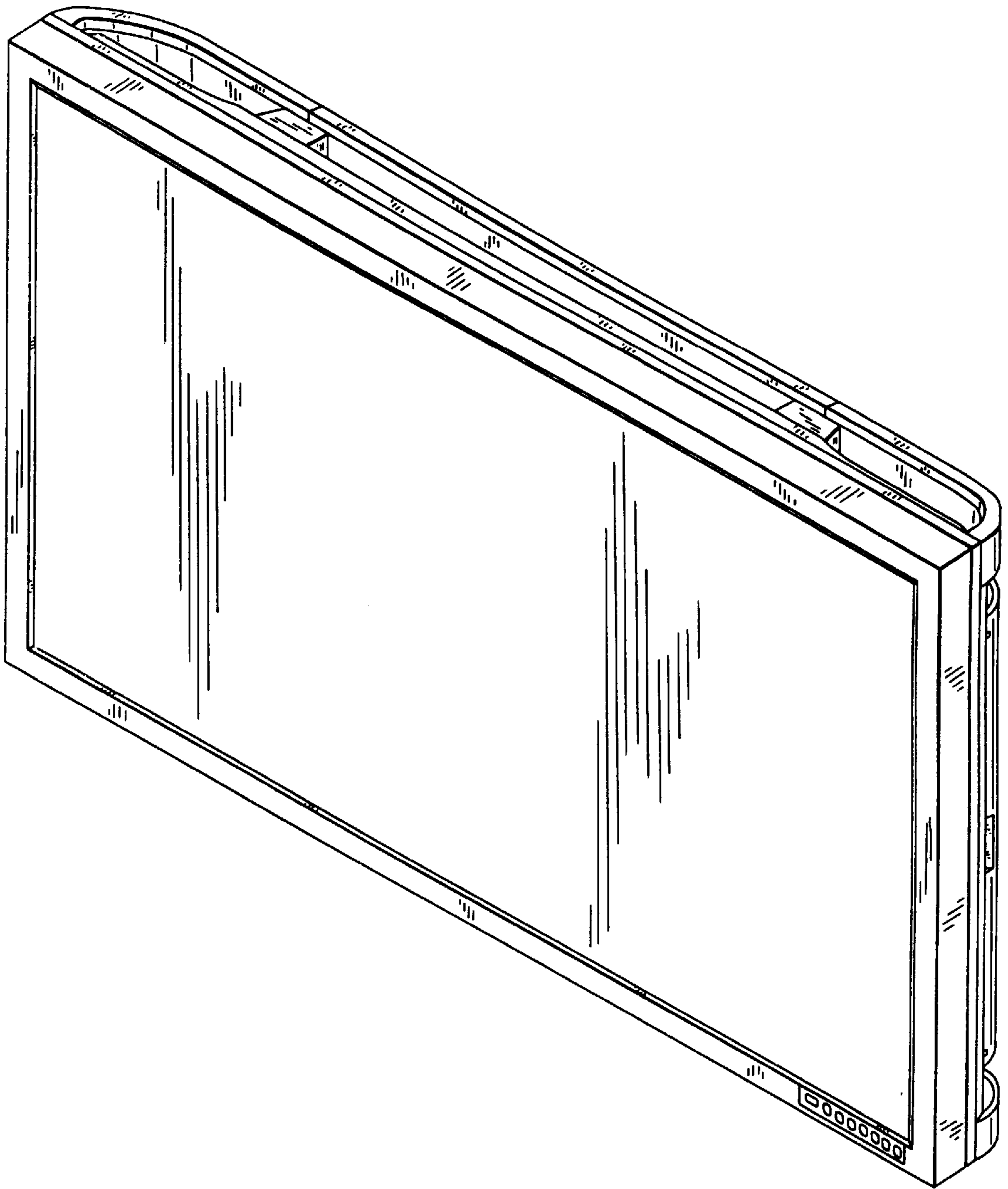


FIG. 2

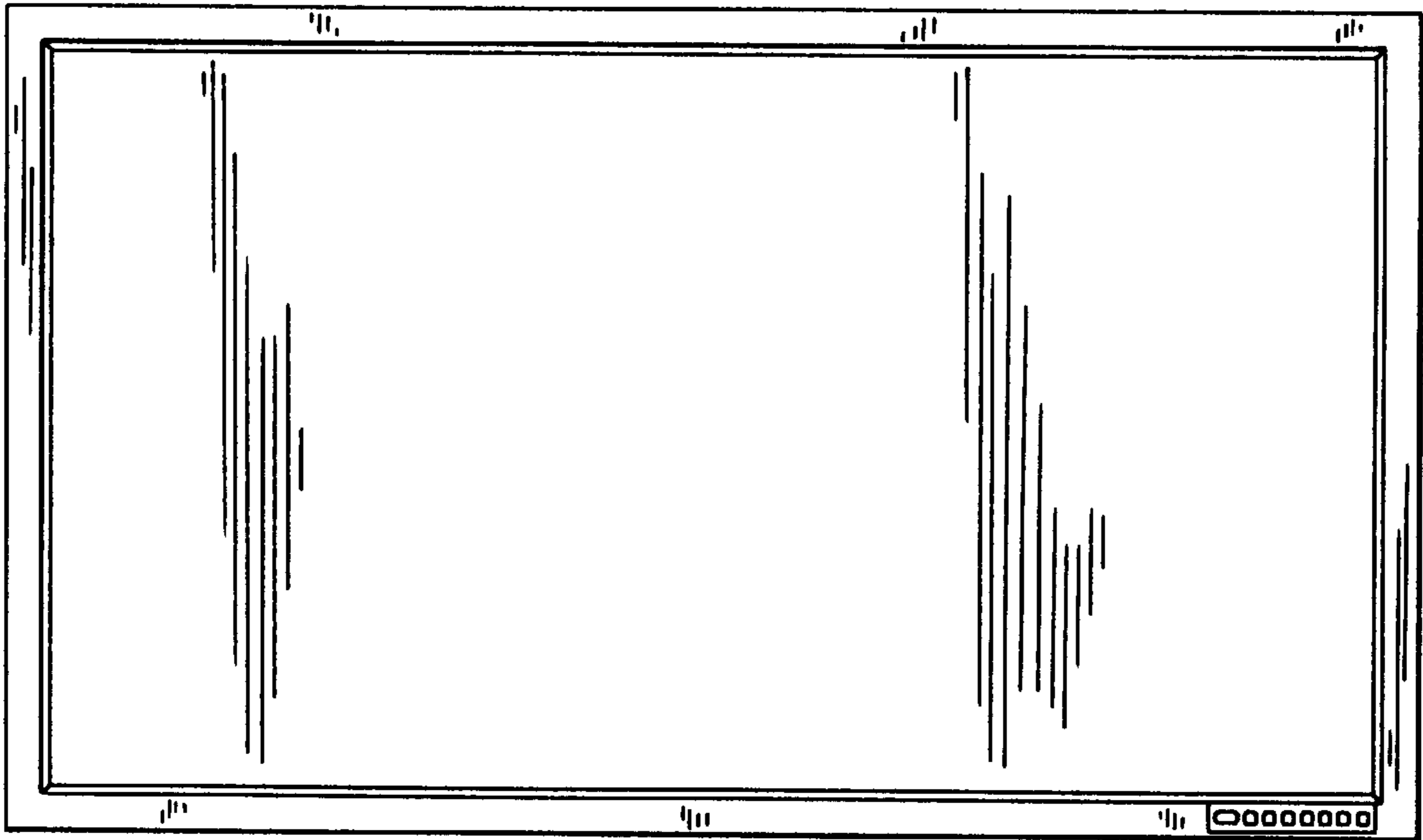


FIG. 3

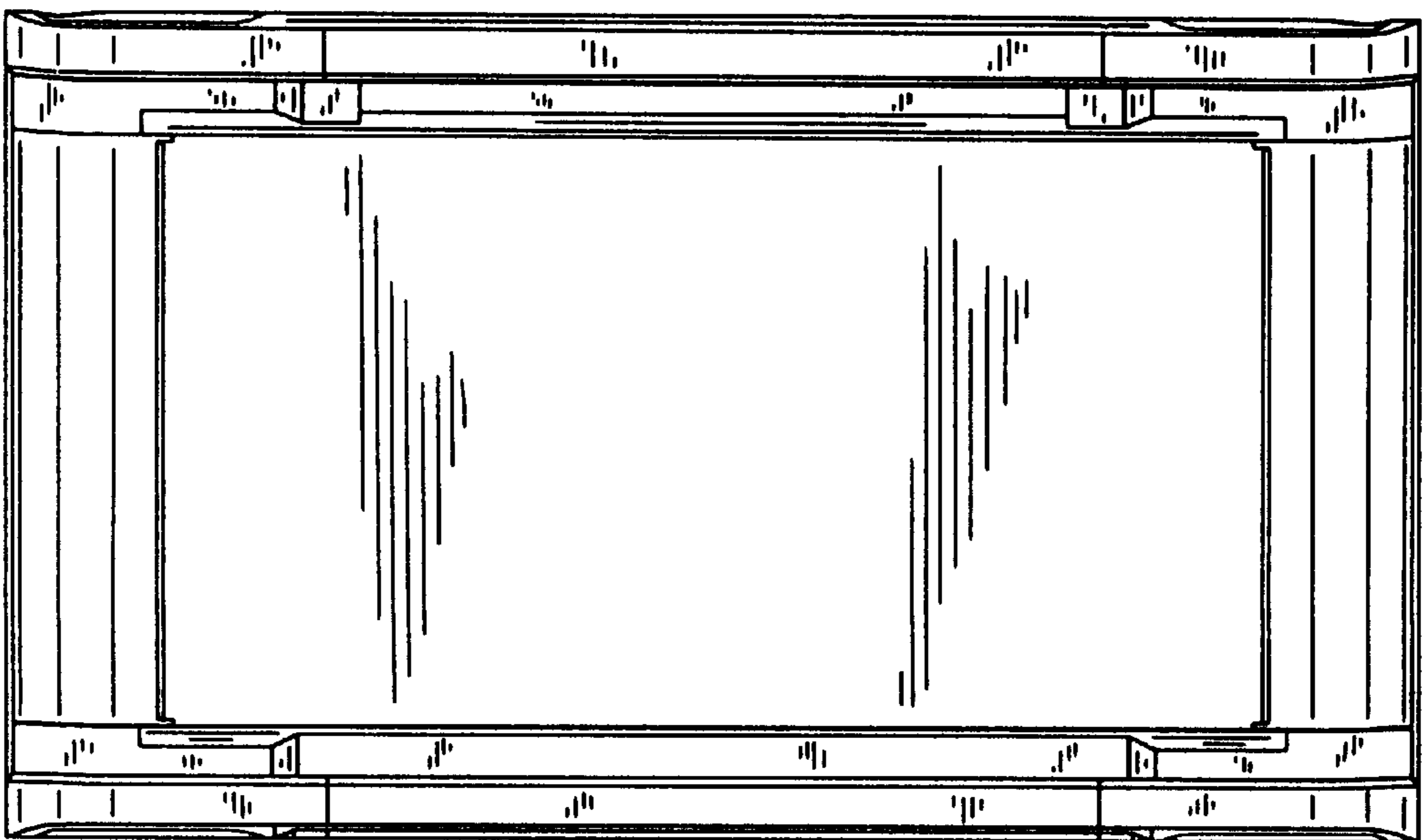


FIG. 6

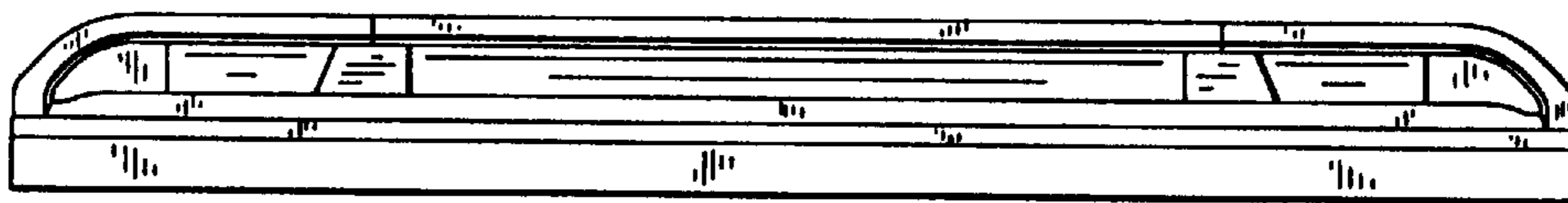


FIG. 4



FIG. 5



FIG. 7

